

# Installation Instructions

## Touchless Urinal

Record your model number:  
Noter le numéro de modèle:  
Anoté su número de modelo: \_\_\_\_\_

Français, page 26  
Español, página 47

**KOHLER**®

# Thank You for Choosing KOHLER

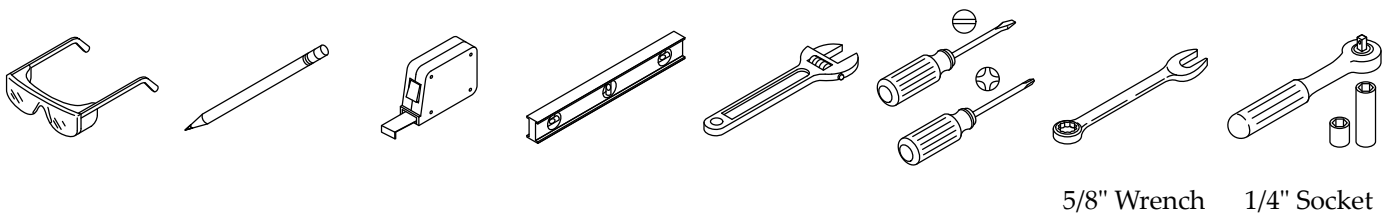
---

Need help? Contact our Customer Care Center.

- USA/Canada: 1-800-4KOHLER (1-800-456-4537) Mexico: 001-800-456-4537  
Hours of Operation: Monday-Friday 8:00 AM -5:00 PM (CT)  
Languages Spoken: English, Spanish, and translation services are available.
- Service parts: [kohler.com/serviceparts](http://kohler.com/serviceparts)
- Care and cleaning: [kohler.com/clean](http://kohler.com/clean)
- Patents: [kohlercompany.com/patents](http://kohlercompany.com/patents)

## Tools and Materials

---




Thread Sealant Tape

### Plus:

- Conventional woodworking tools and materials
- Hole Cutting Equipment
- Appropriate Screws
- AA Batteries (4)

## Before You Begin

---

 **CAUTION: Risk of personal injury.** Handle this product with care. Vitreous china can break or chip if the product is handled carelessly.

**NOTE:** Roughing-in dimensions remain the same when using the optional 3" outlet spud.

Unpack and inspect the product for damage. Return the product to the carton until installation.

Your product may appear different from the one illustrated. The installation procedure is the same.

Fixture dimensions are nominal and conform to tolerances in ASME Standard A112.19.2/CSA B45.1.

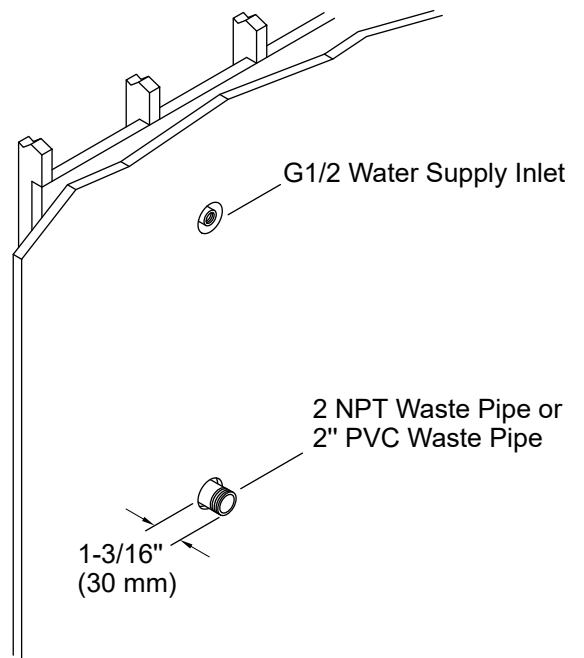
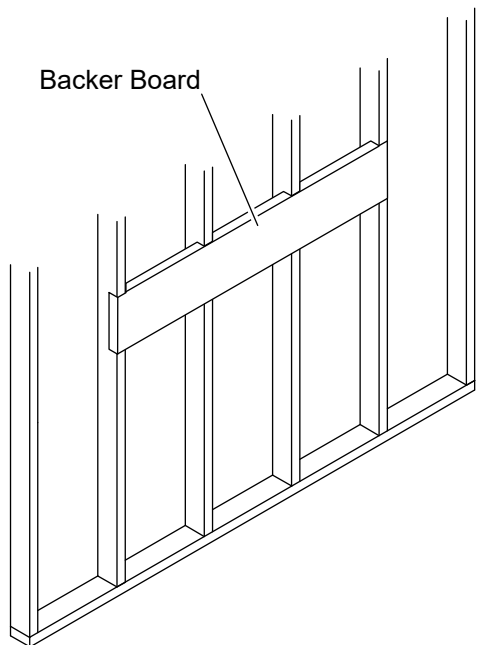
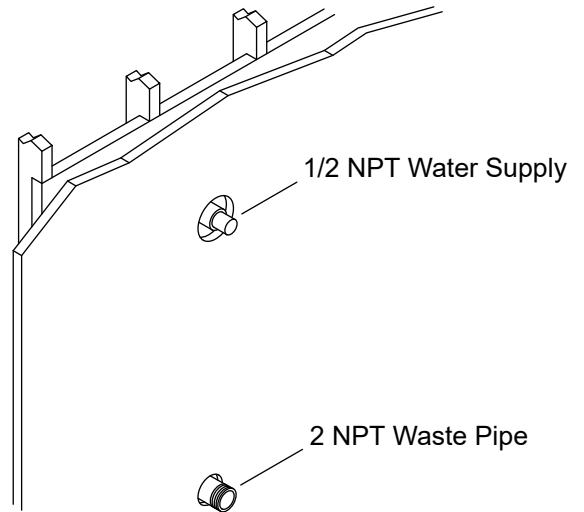
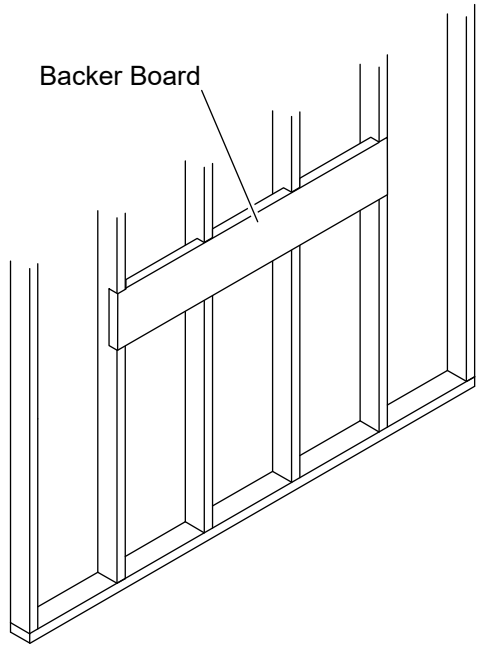
ADA compliant when the rim is mounted no higher than 17" (432 mm) from the finished floor.

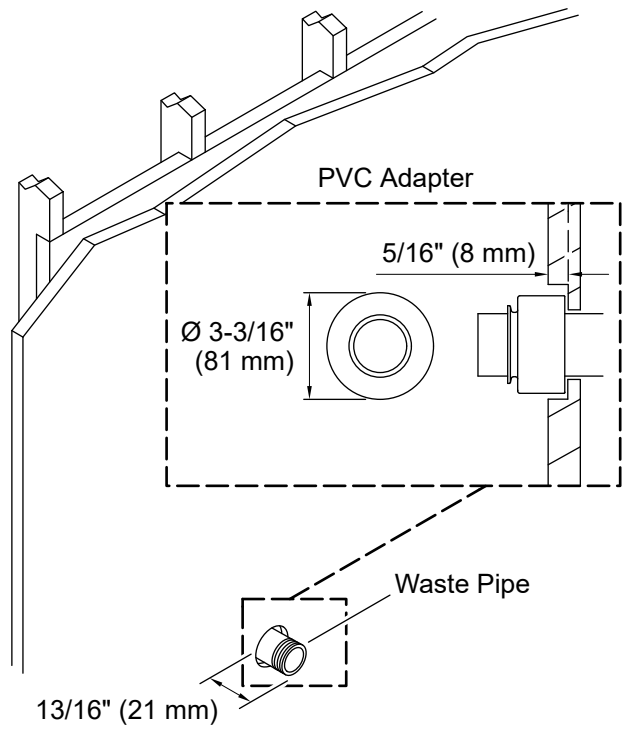
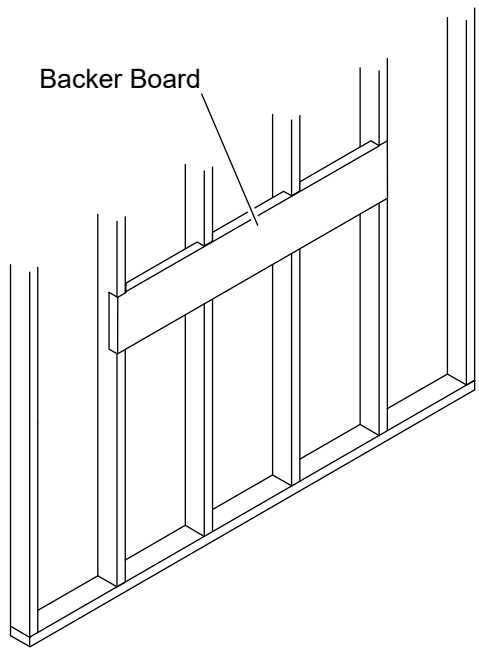
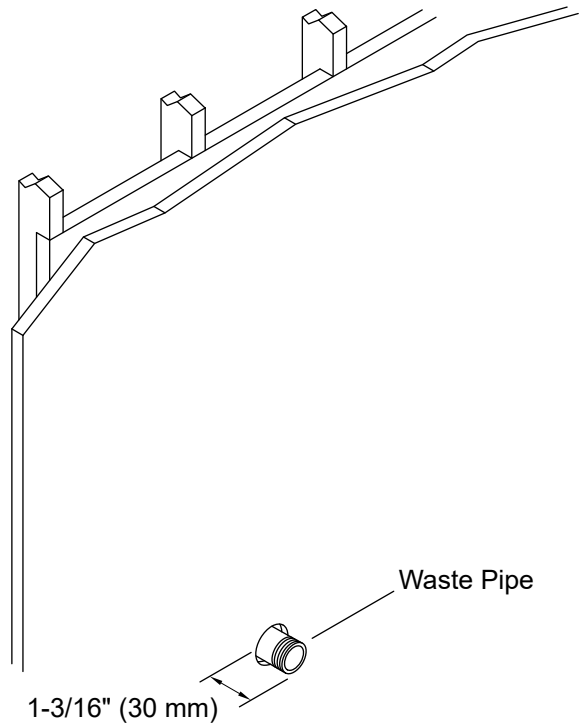
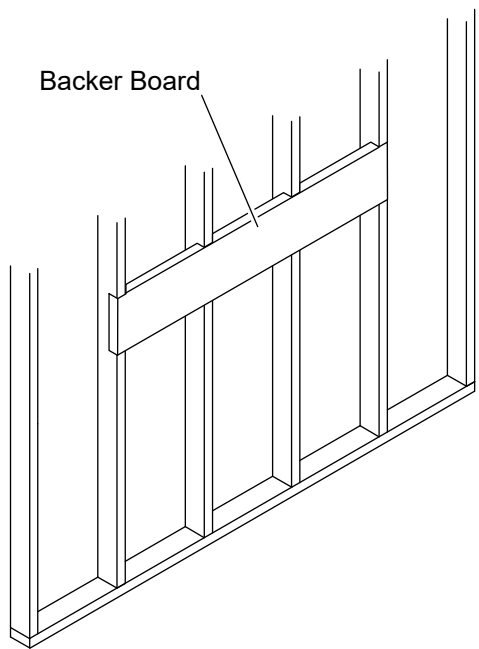
Follow all local plumbing and building codes.

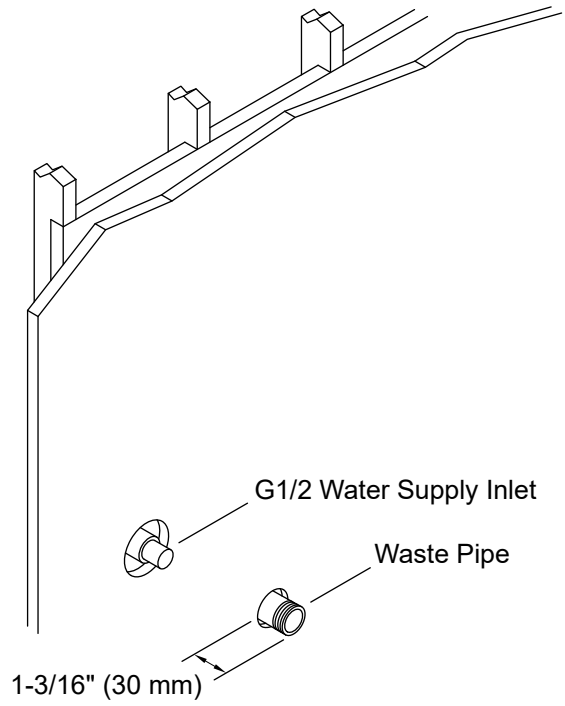
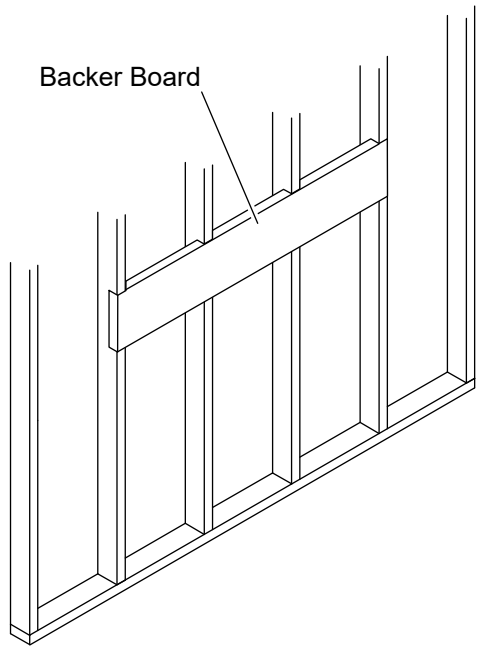
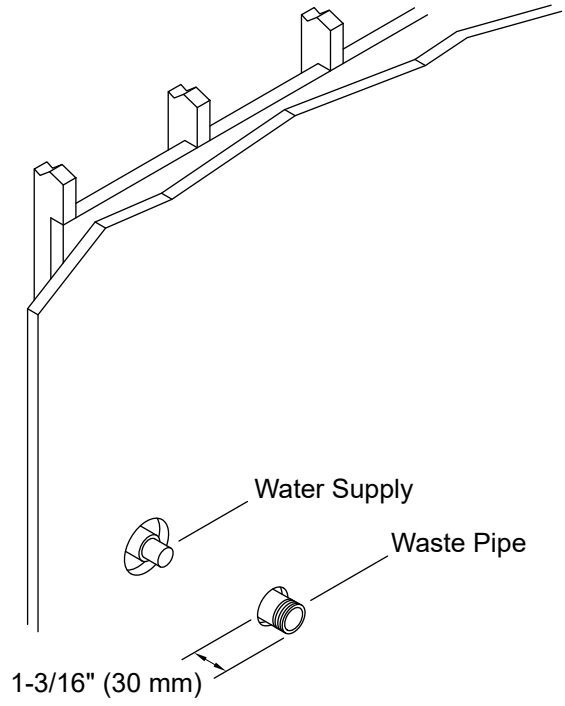
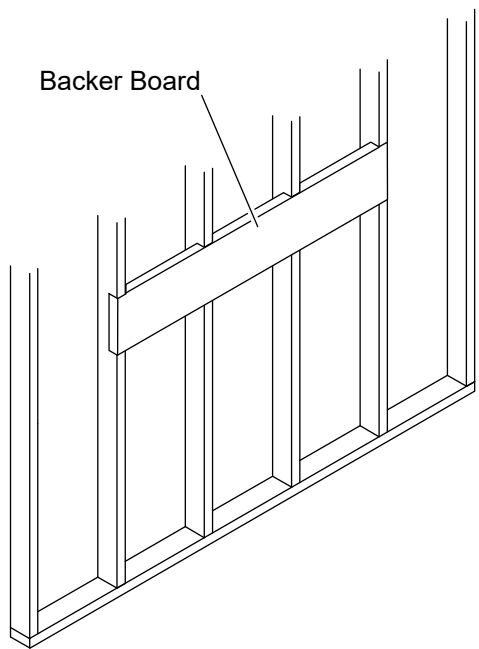
Turn OFF the water supplies.

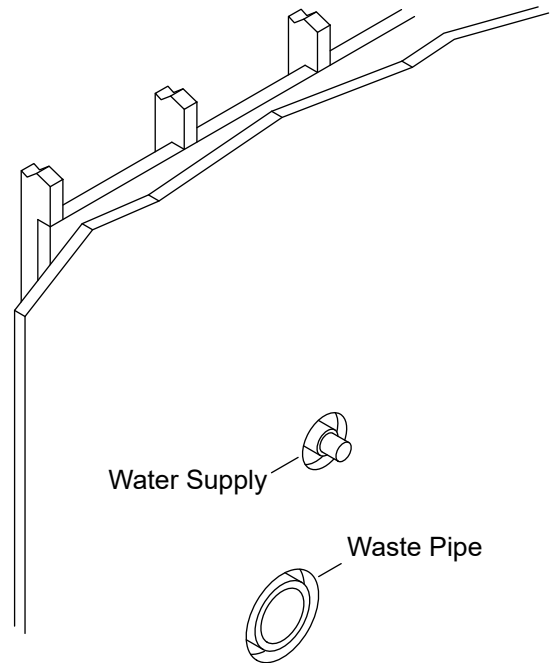
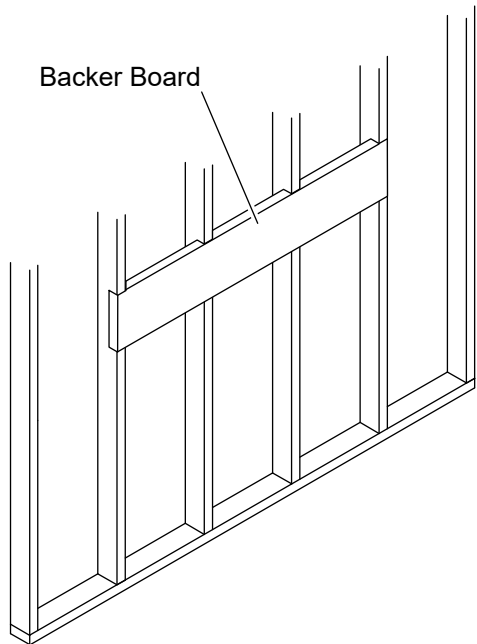
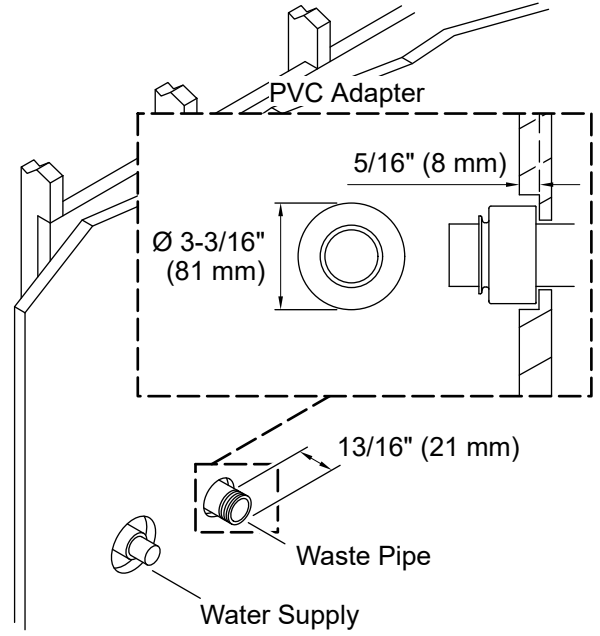
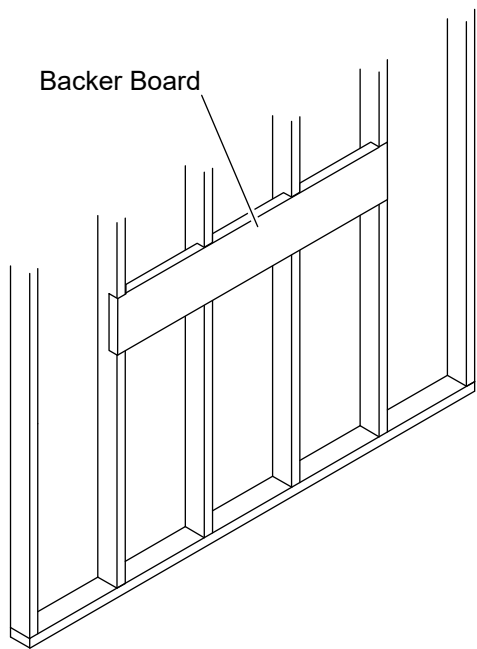
# 1. Prepare the Site

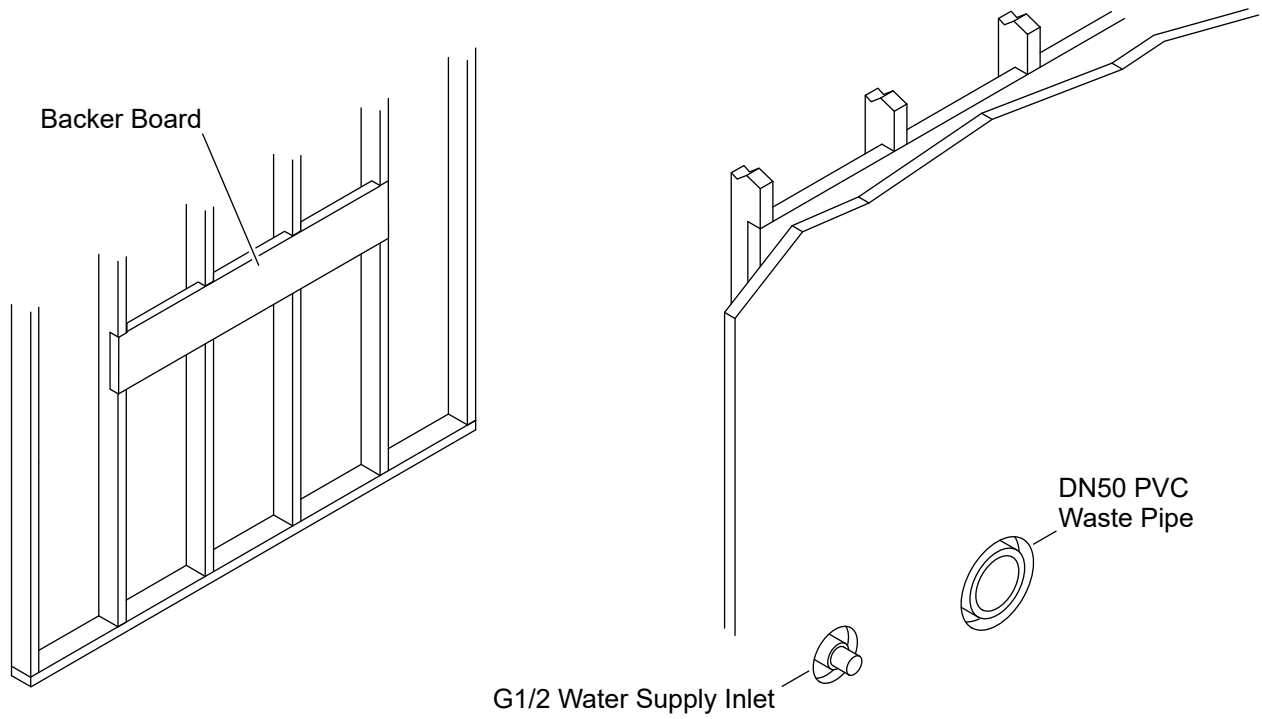
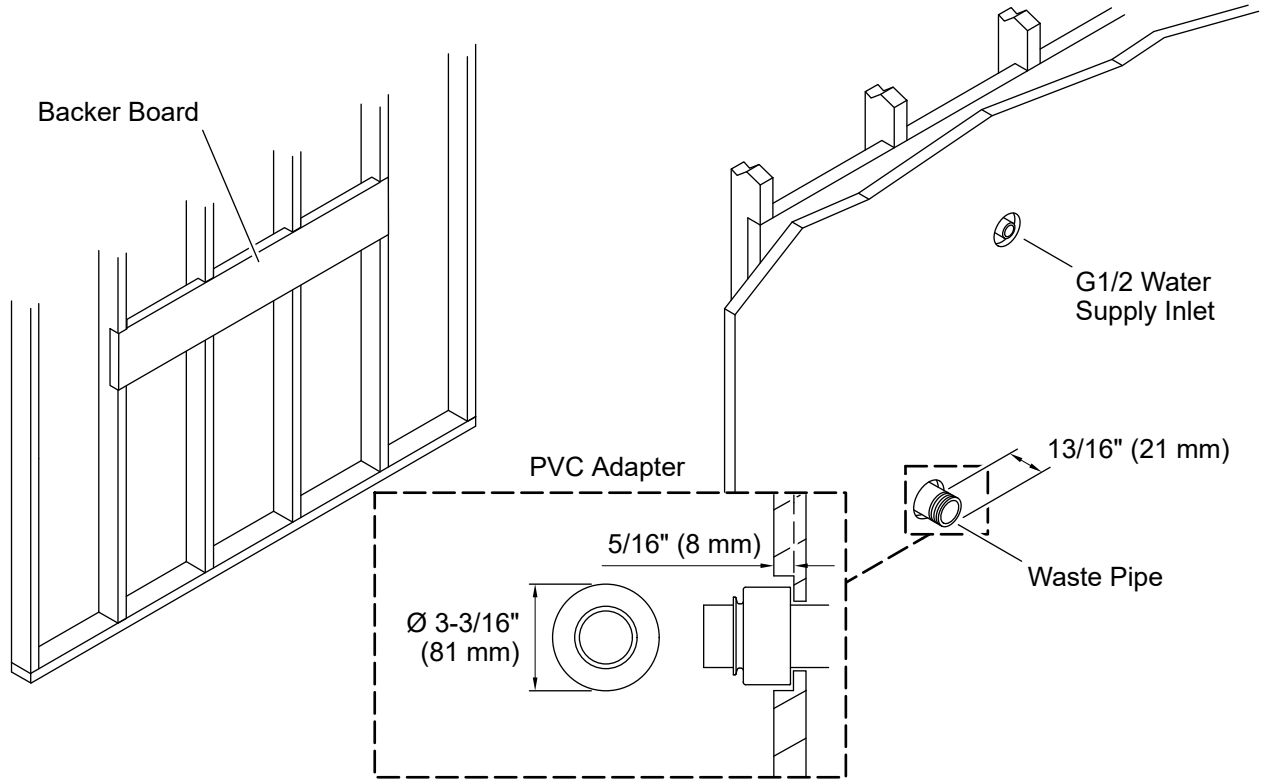
---

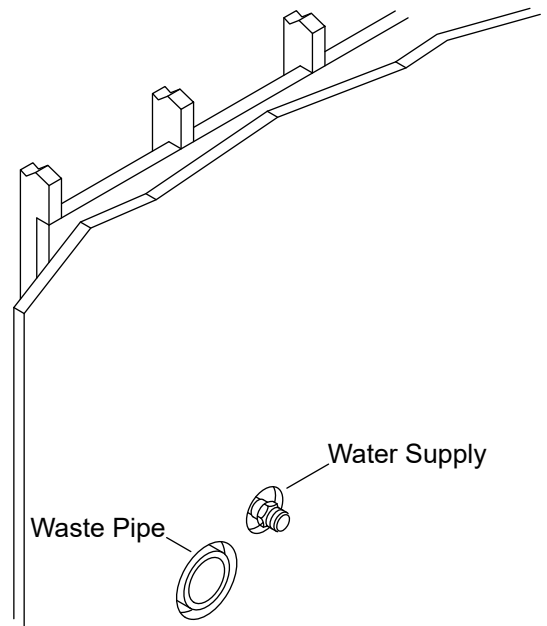
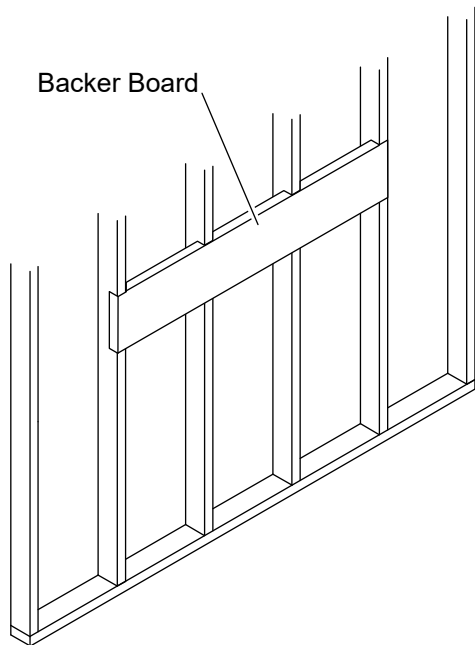
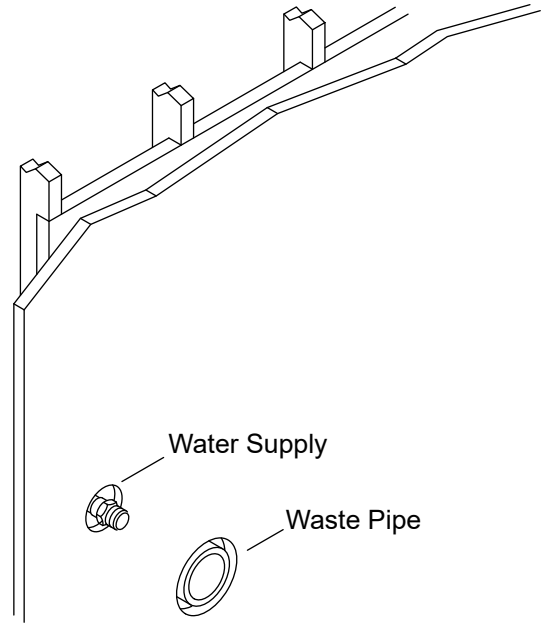
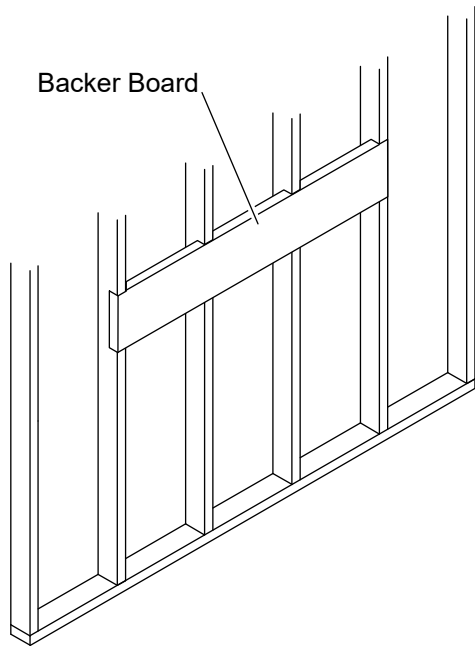


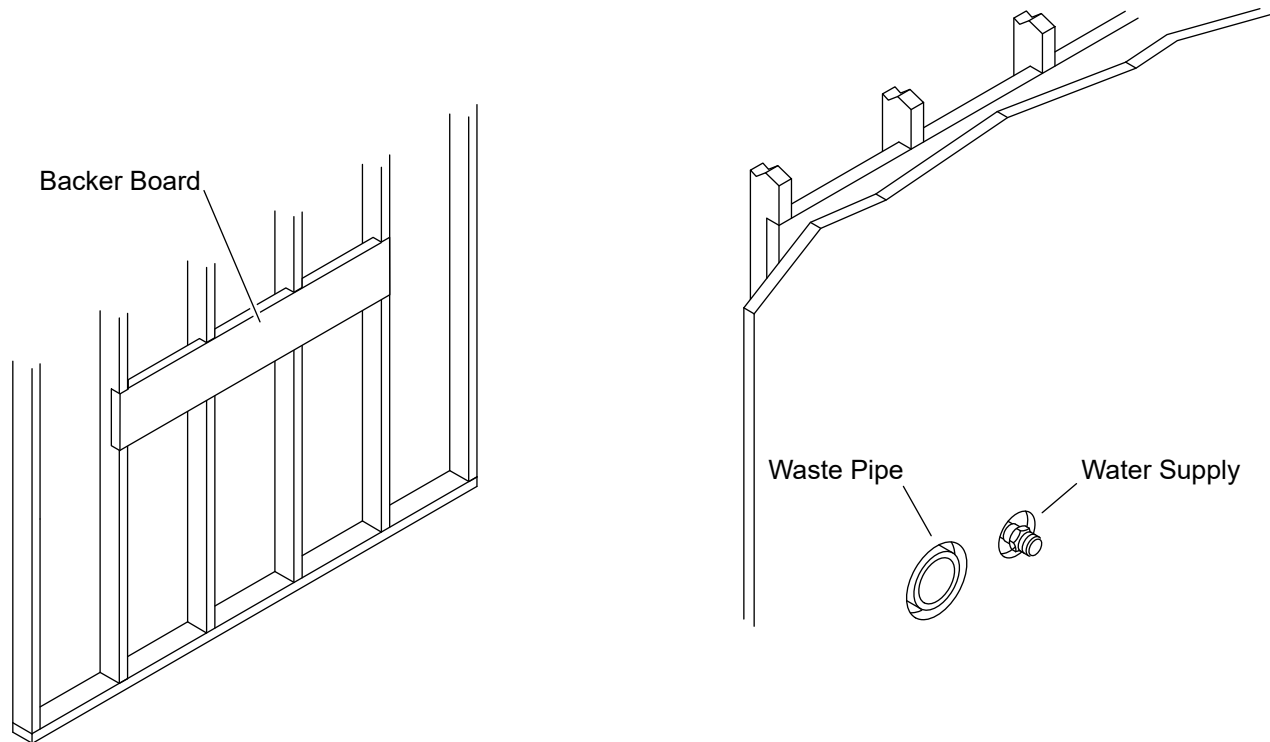








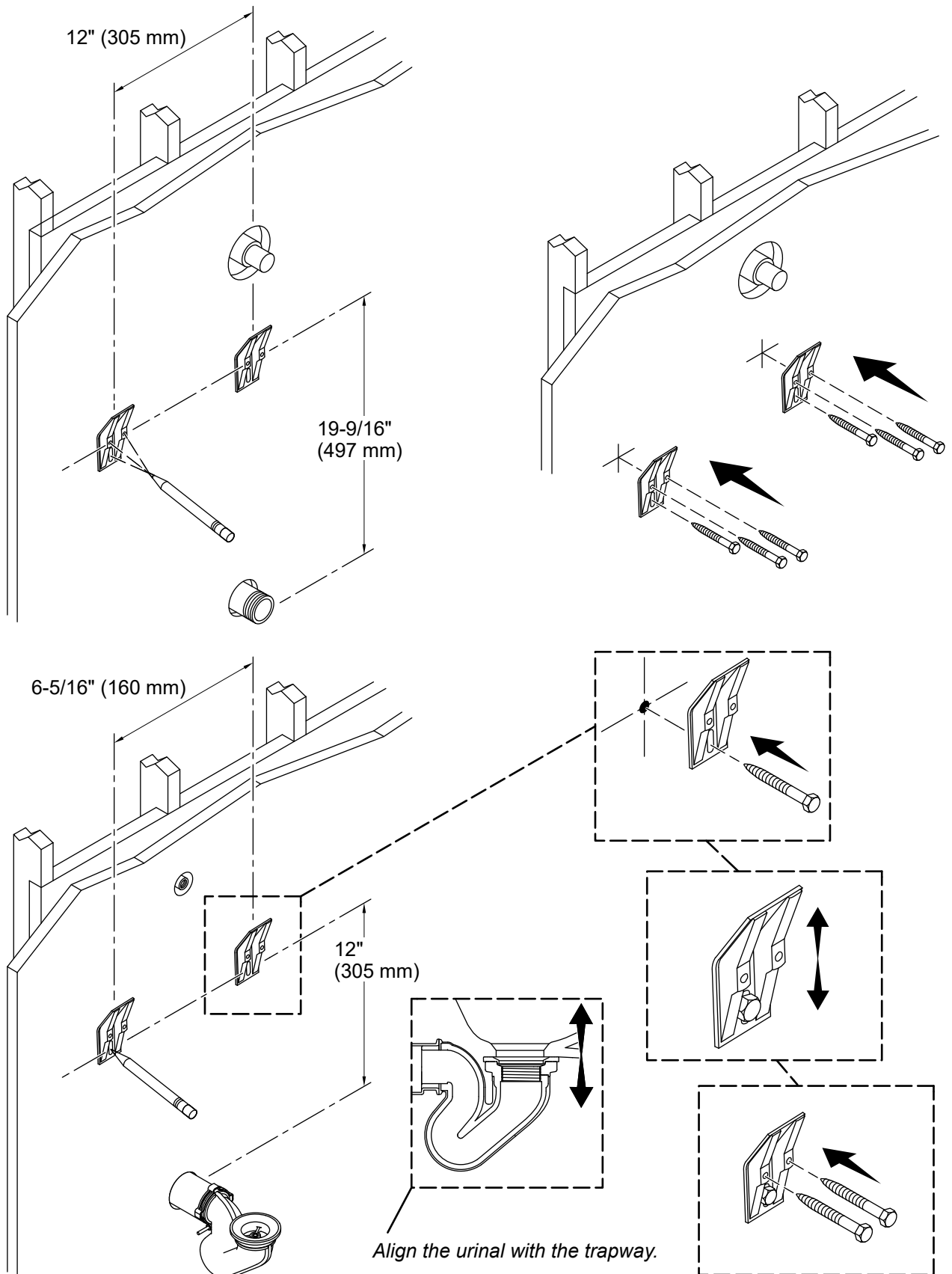


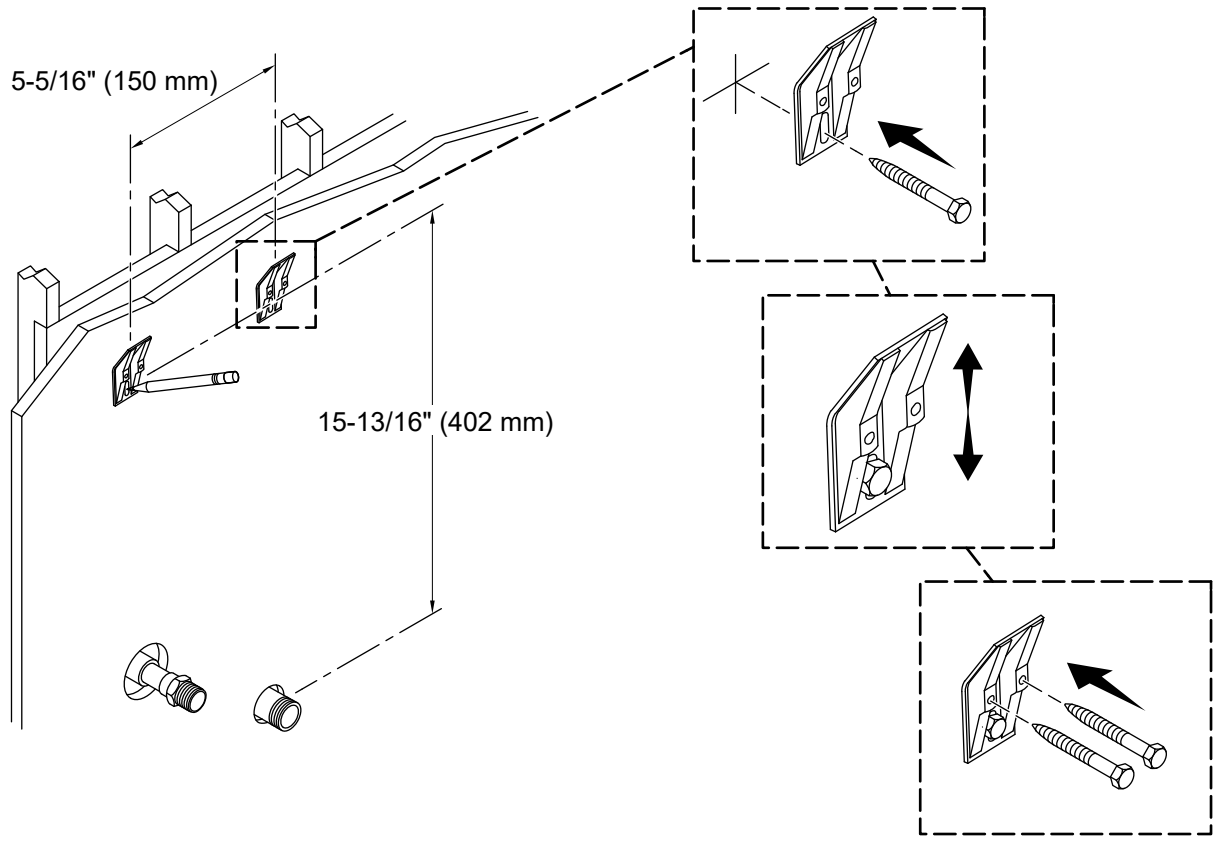
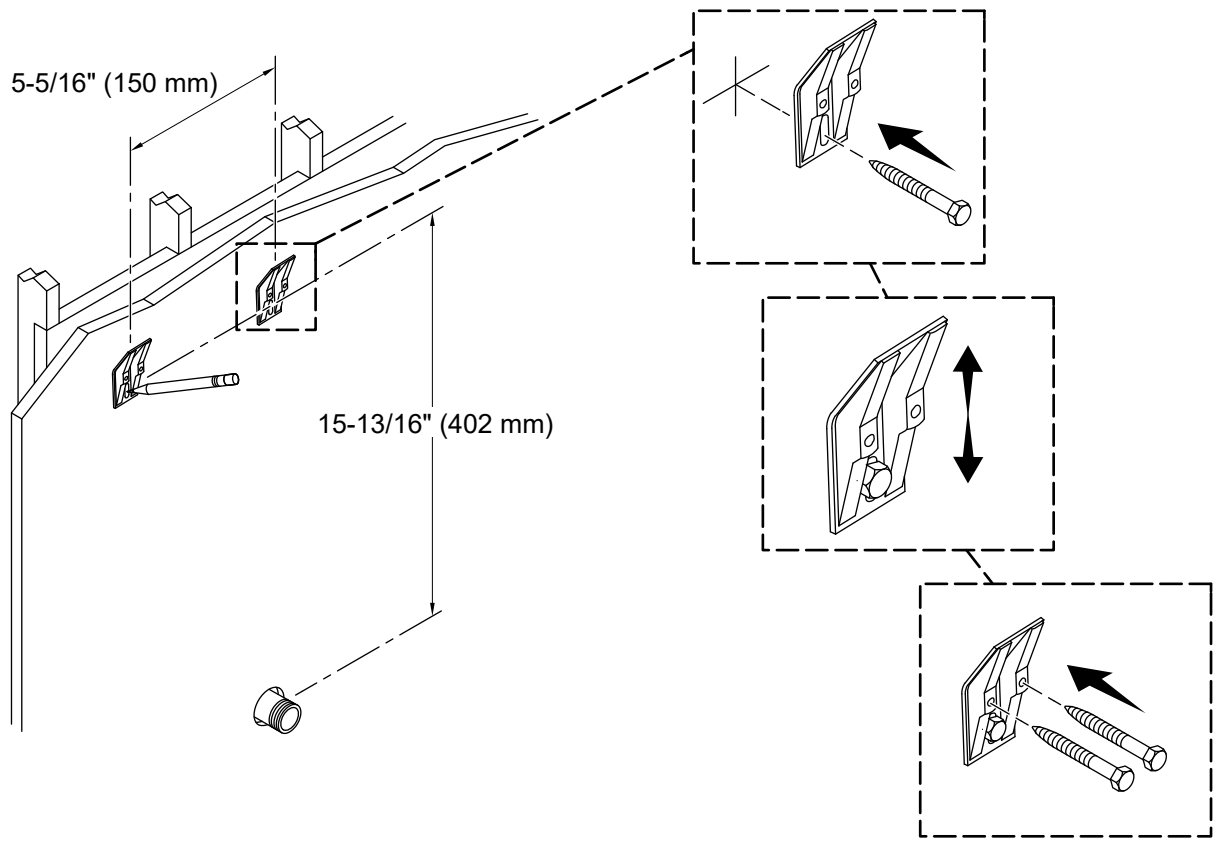


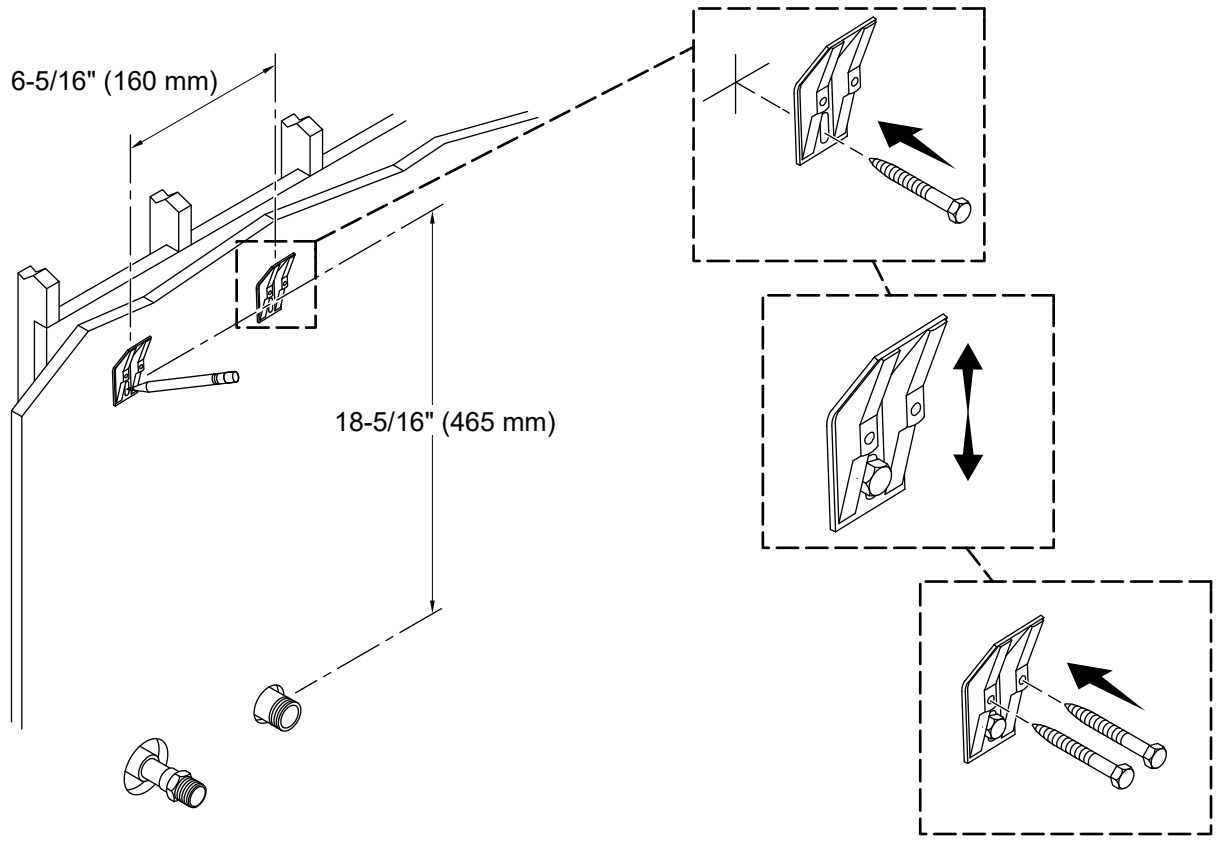
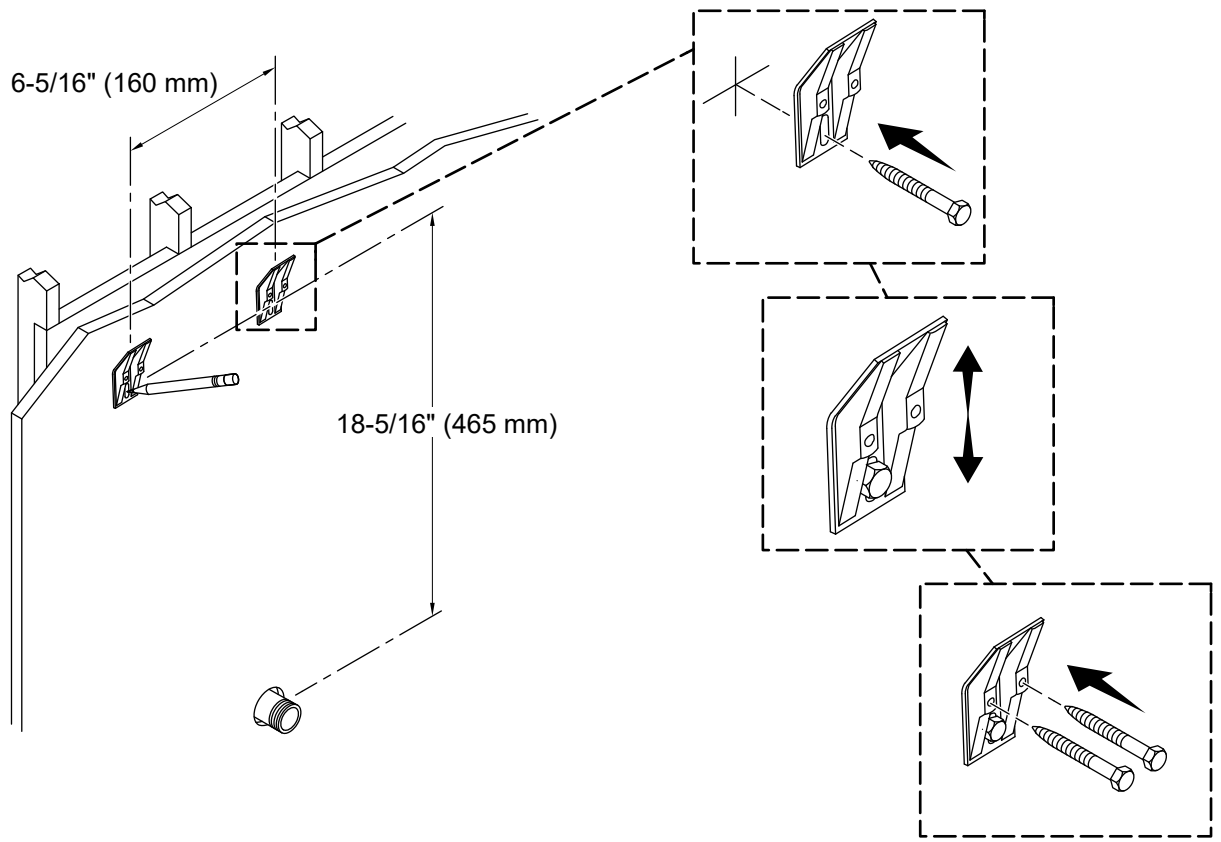
Two waste pipe adapters are included for installation:

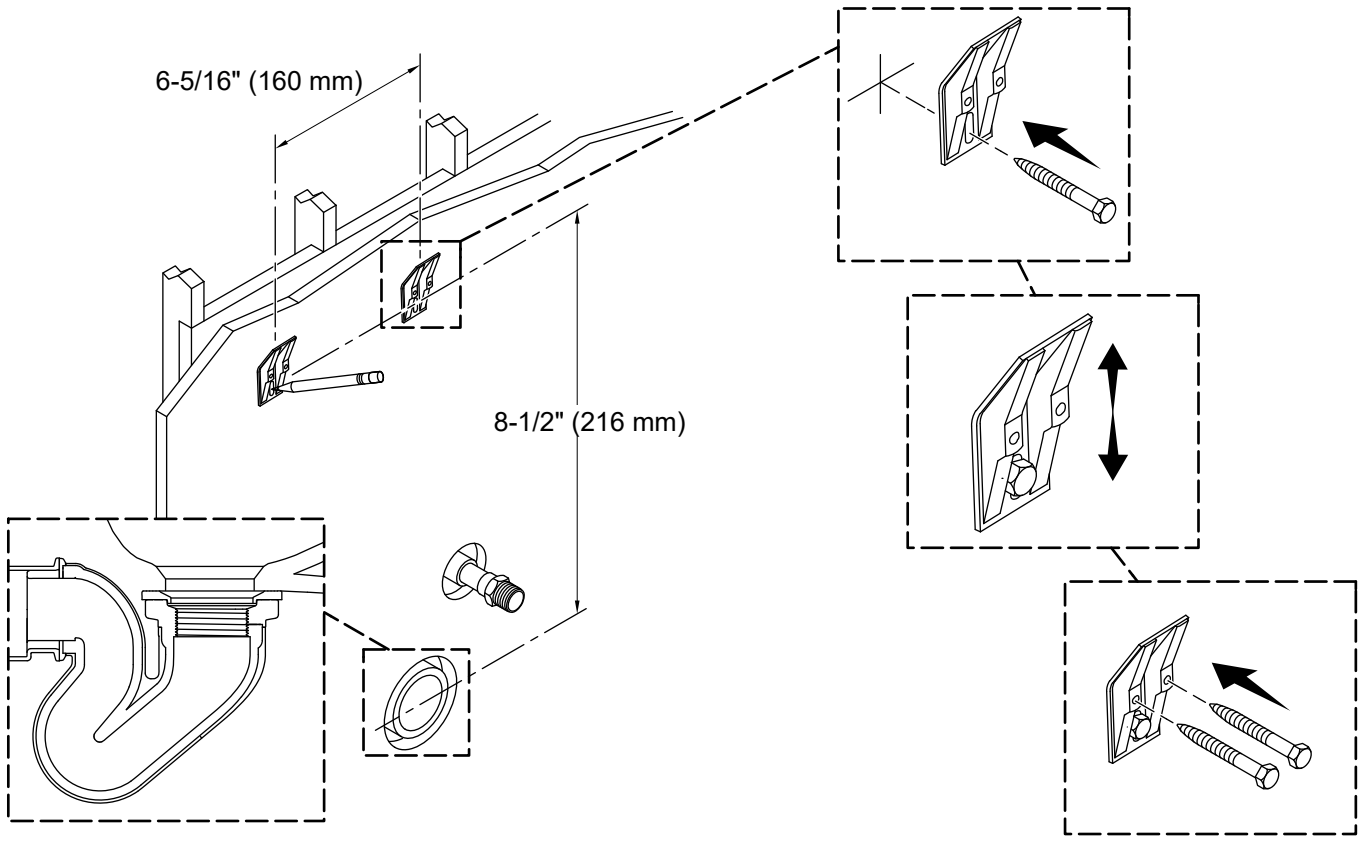
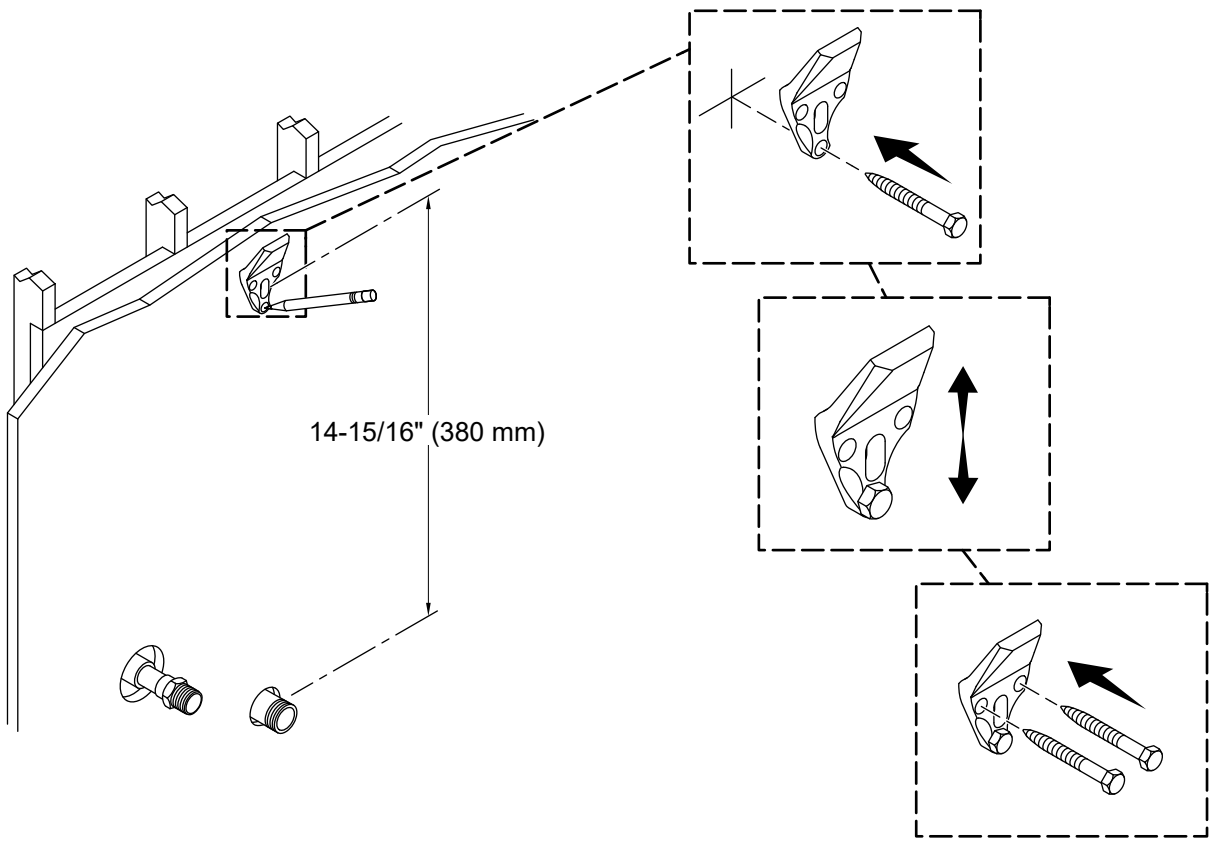
- **Threaded Adapter:** Requires a 2 NPT waste pipe that extends 1-3/16" (30 mm) from the finished wall
  - **PVC Adapter:** Requires a 2" waste pipe that extends 1-3/16" (30 mm) from the finished wall
  - **Threaded Adapter:** Requires a 2 NPT waste pipe that extends 13/16" (21 mm) from the finished wall
  - **PVC Adapter:** Requires a 2" waste pipe that extends 13/16" (21 mm) from the finished wall and a hole with minimum 3-3/16" (81 mm) diameter and minimum 5/16" (8 mm) depth in the wall
- Install a backer board for additional support, if needed. Verify that the front of the backer board is installed flush with the studs.
  - Install a 2 NPT waste pipe according to the Roughing-In Sheet.
  - Install a waste pipe according to the Specification Sheet.
  - Install a DN50 PVC waste pipe according to the Roughing-In Sheet.
  - Install a waste pipe according to the Specification Sheet and your choice of waste pipe adapter. Verify that the waste pipe extends 1-3/16" (30 mm) from the finished wall.
  - Install a waste pipe according to the Specification Sheet and your choice of waste pipe adapter. Verify that the waste pipe extends 13/16" (21 mm) from the finished wall.
  - Install a water supply inlet according to the Specification Sheet.
  - Install a 1/2 NPT water supply inlet according to the Roughing-In Sheet.
  - Install a G1/2 water supply inlet according to the Roughing-In Sheet.
  - Install a G1/2 water supply inlet according to the Specification Sheet.
  - Install the shut-off valve.

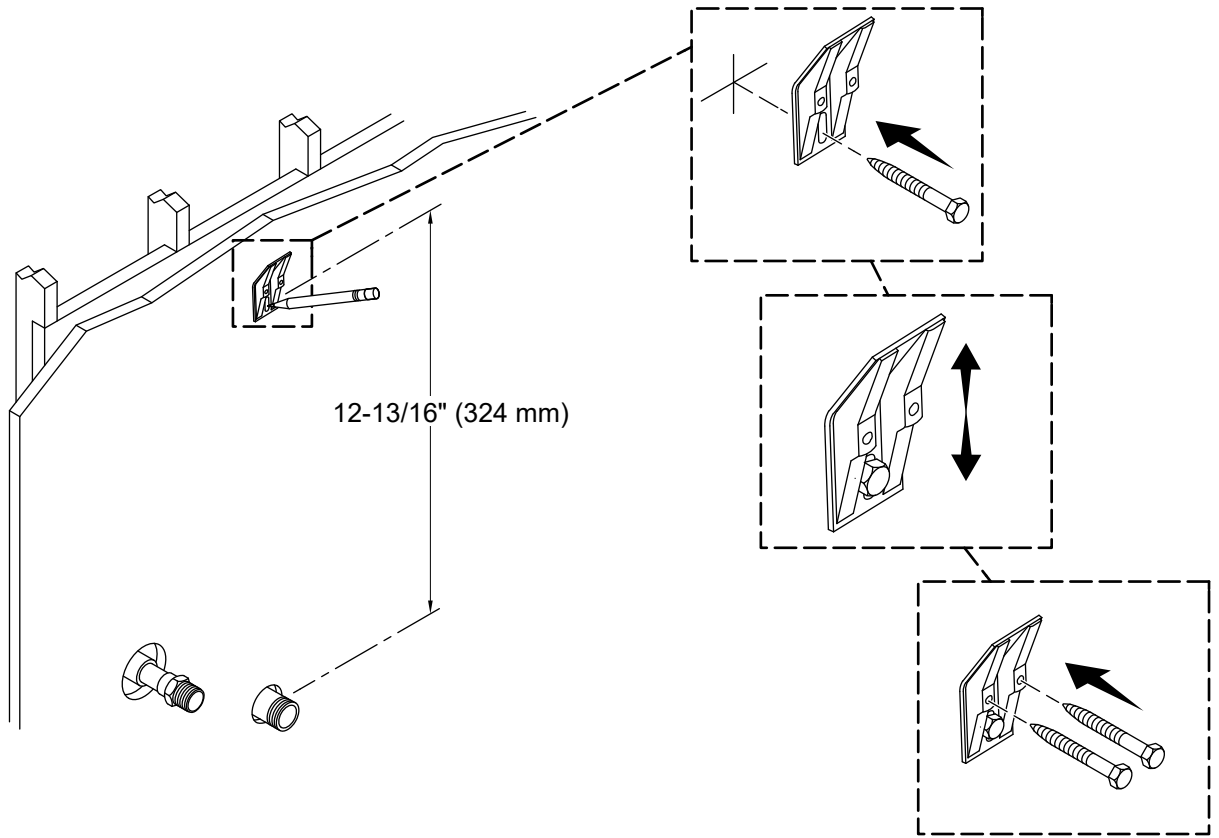
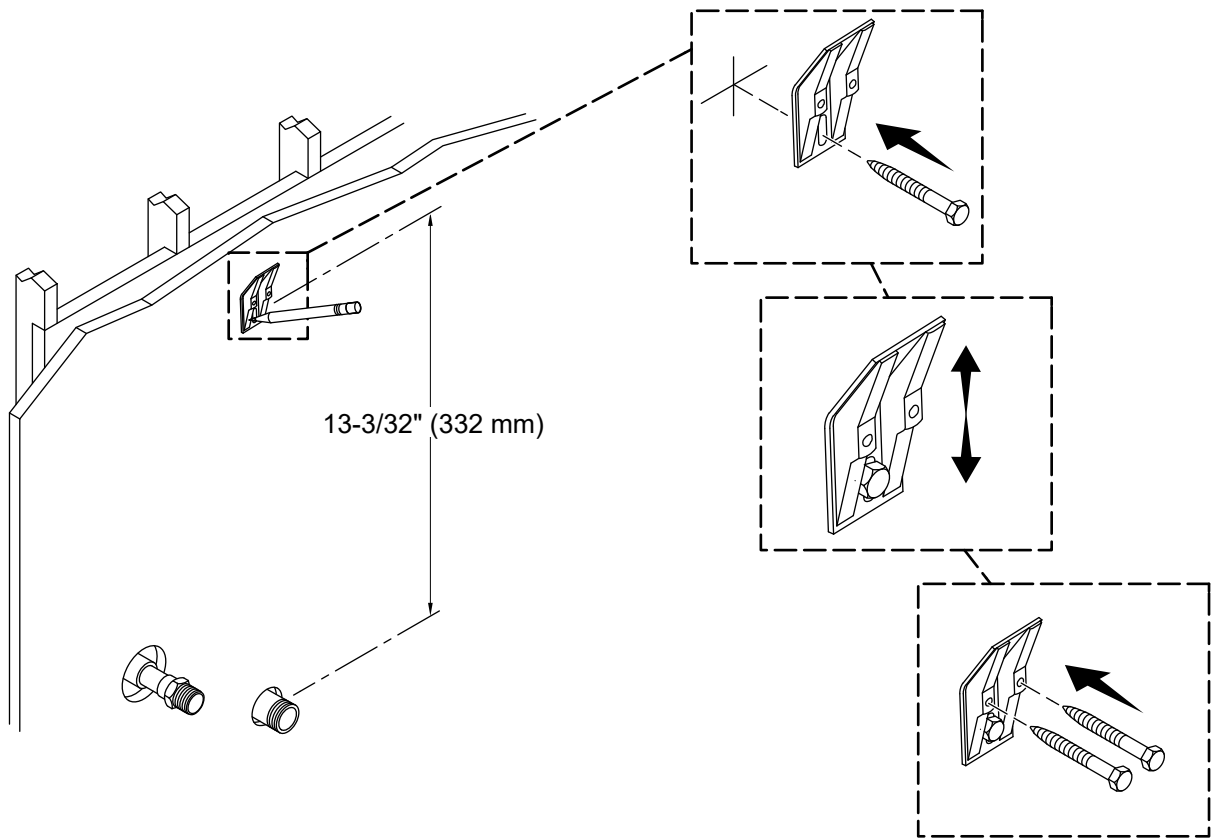
## 2. Install the Wall Hangers

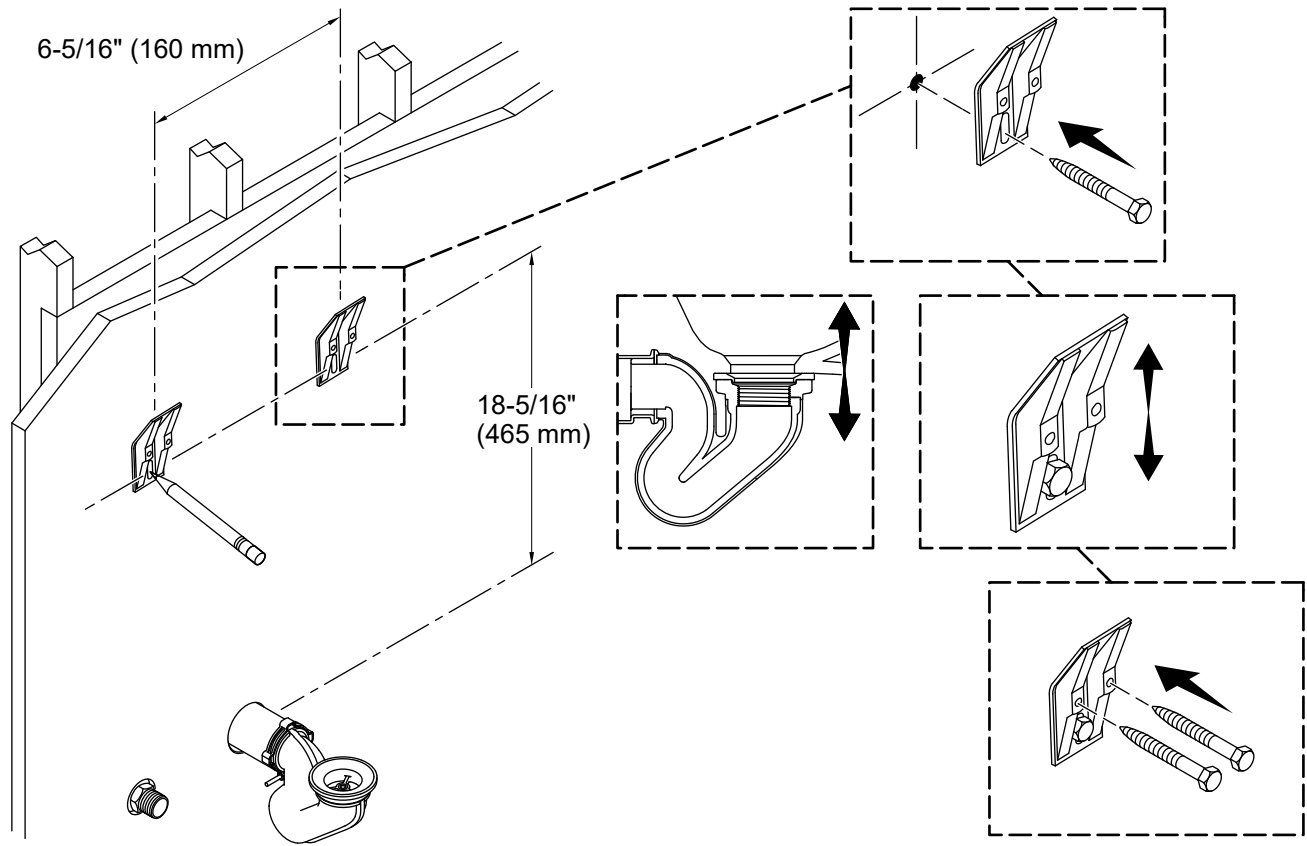
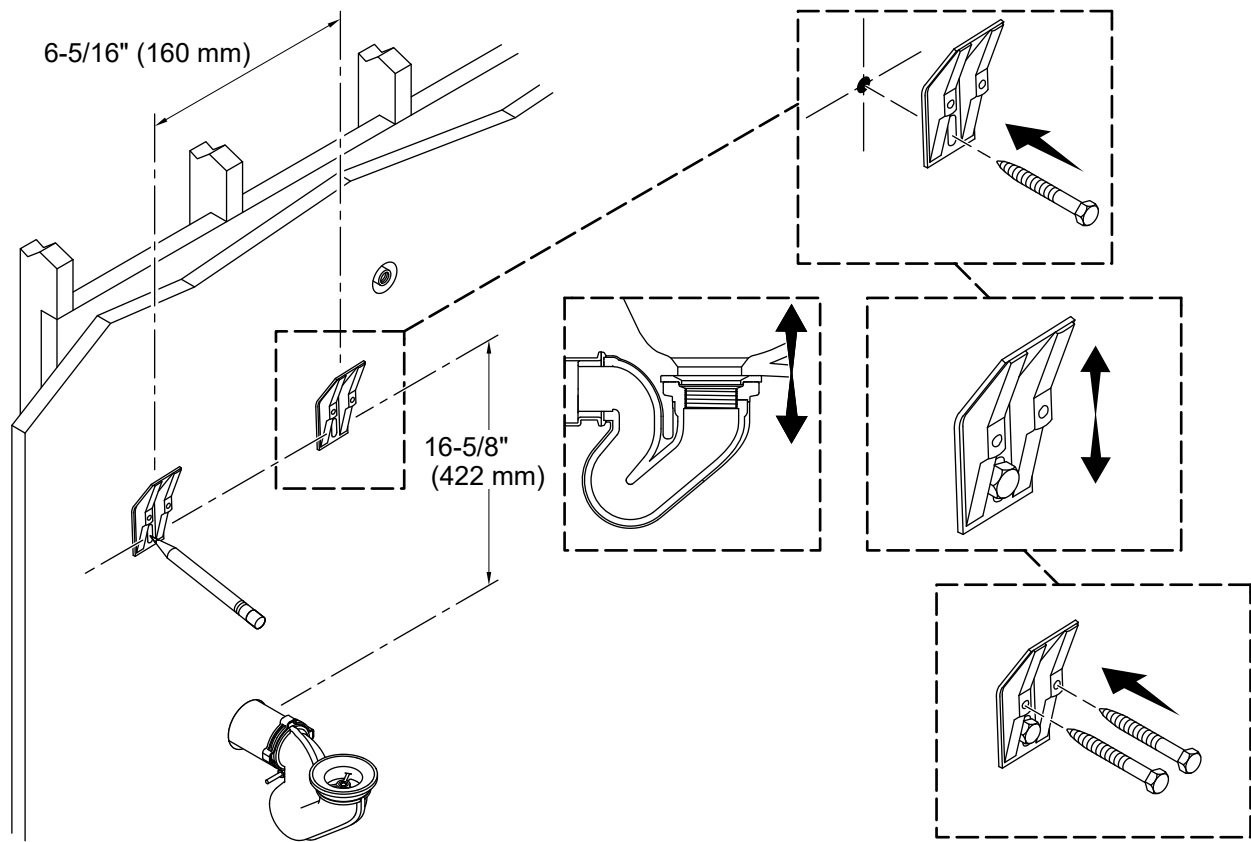


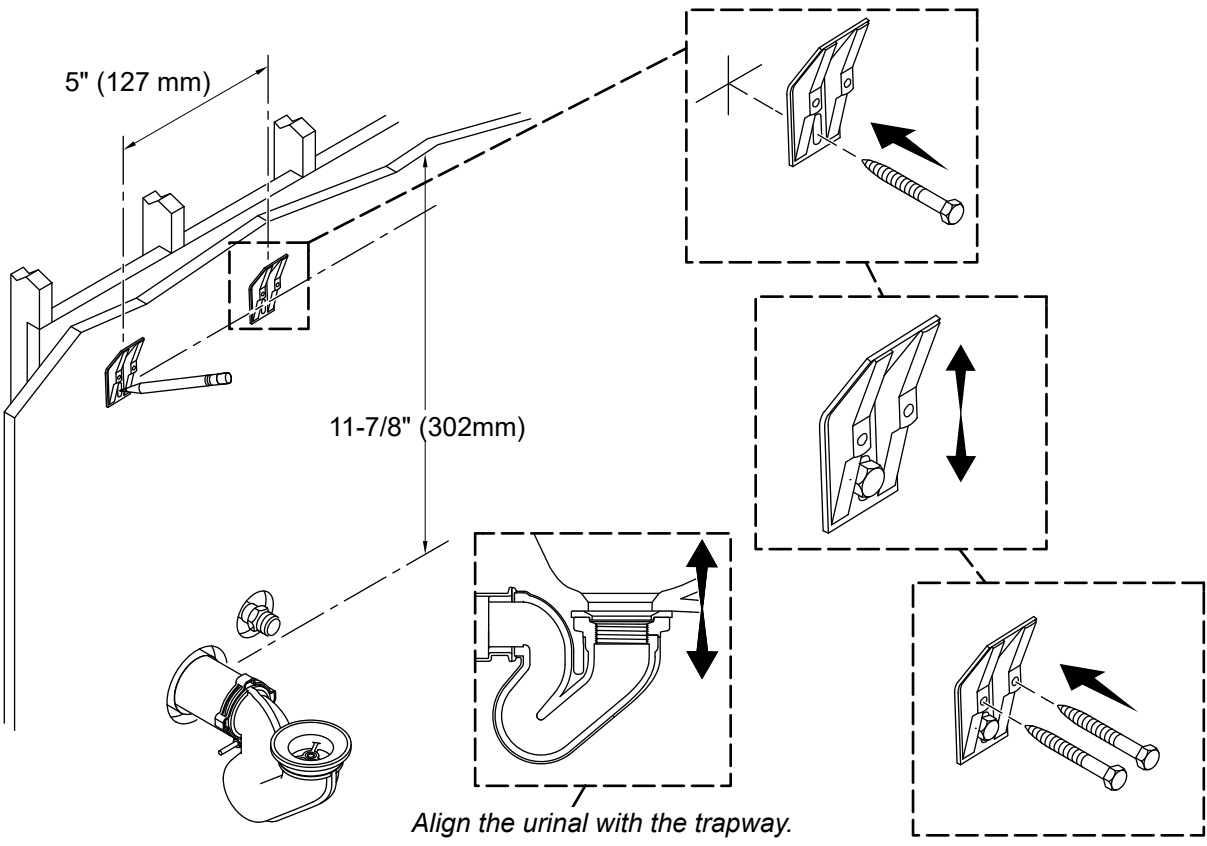
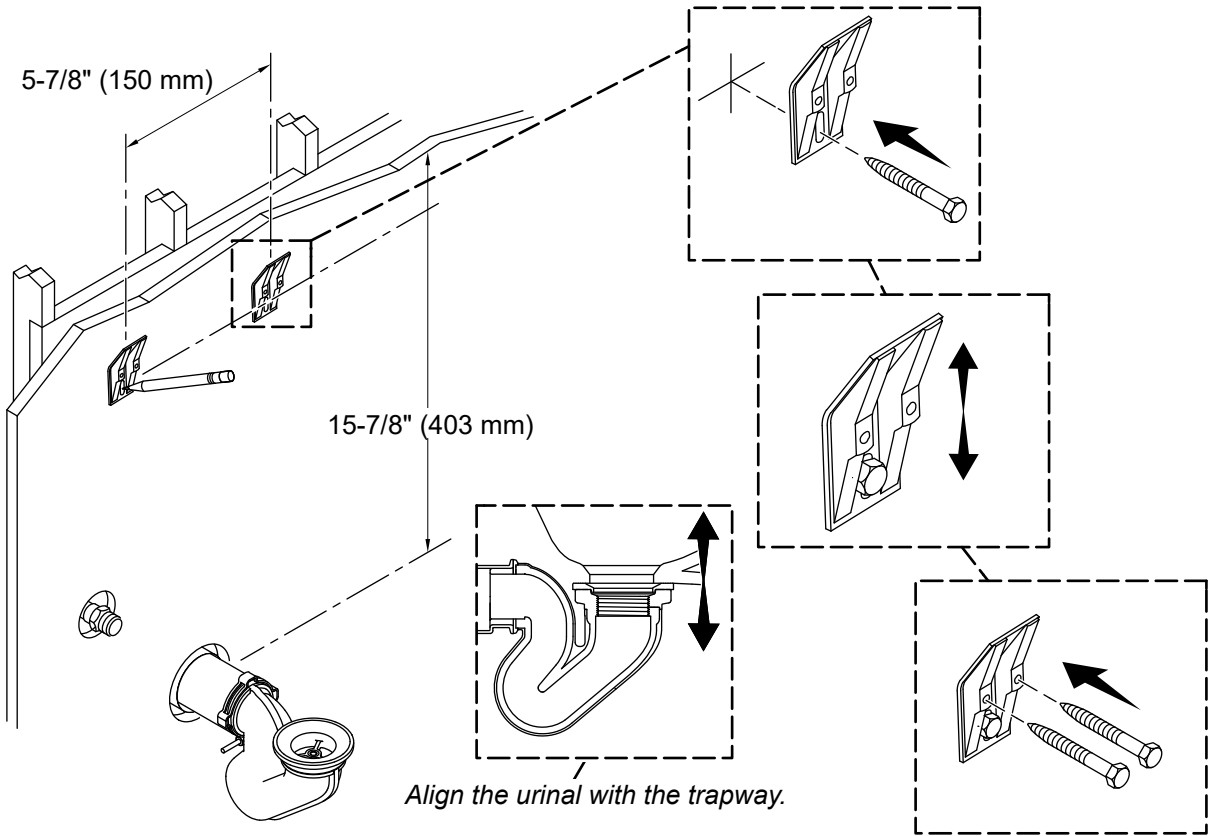


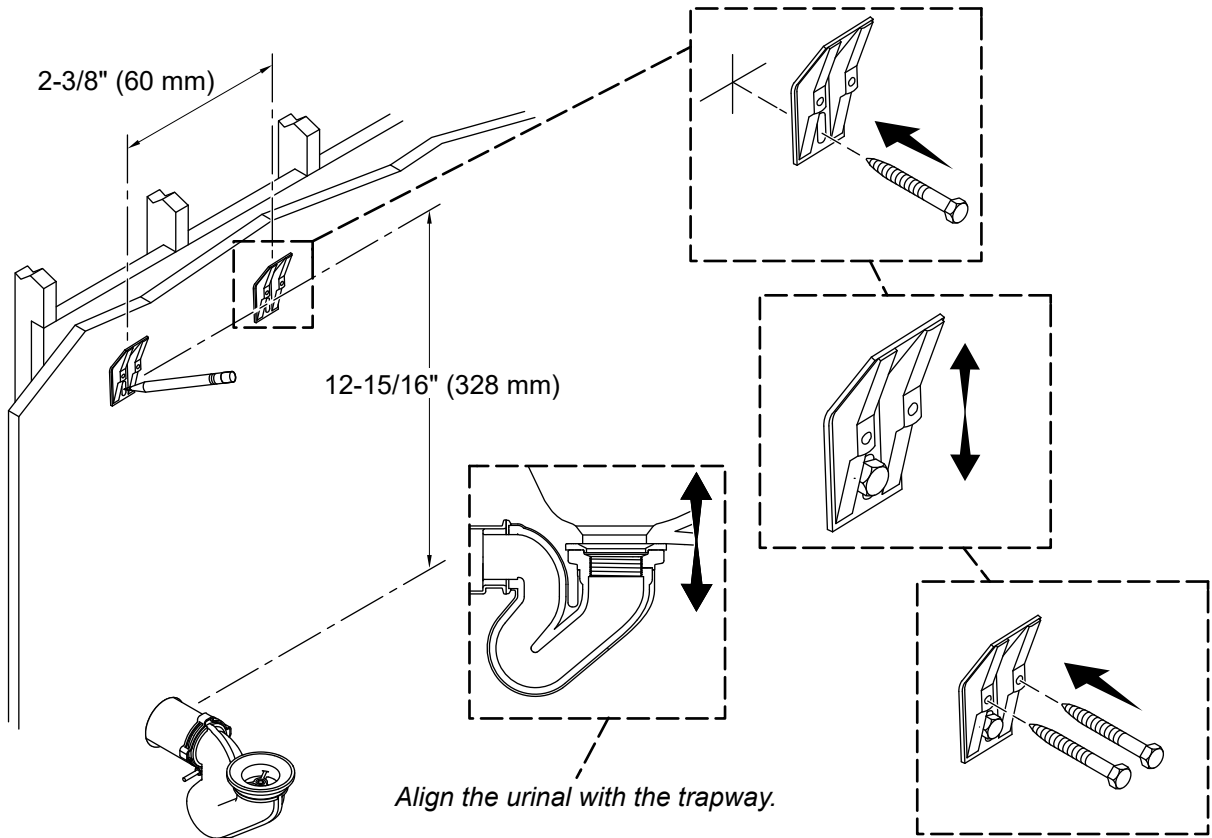
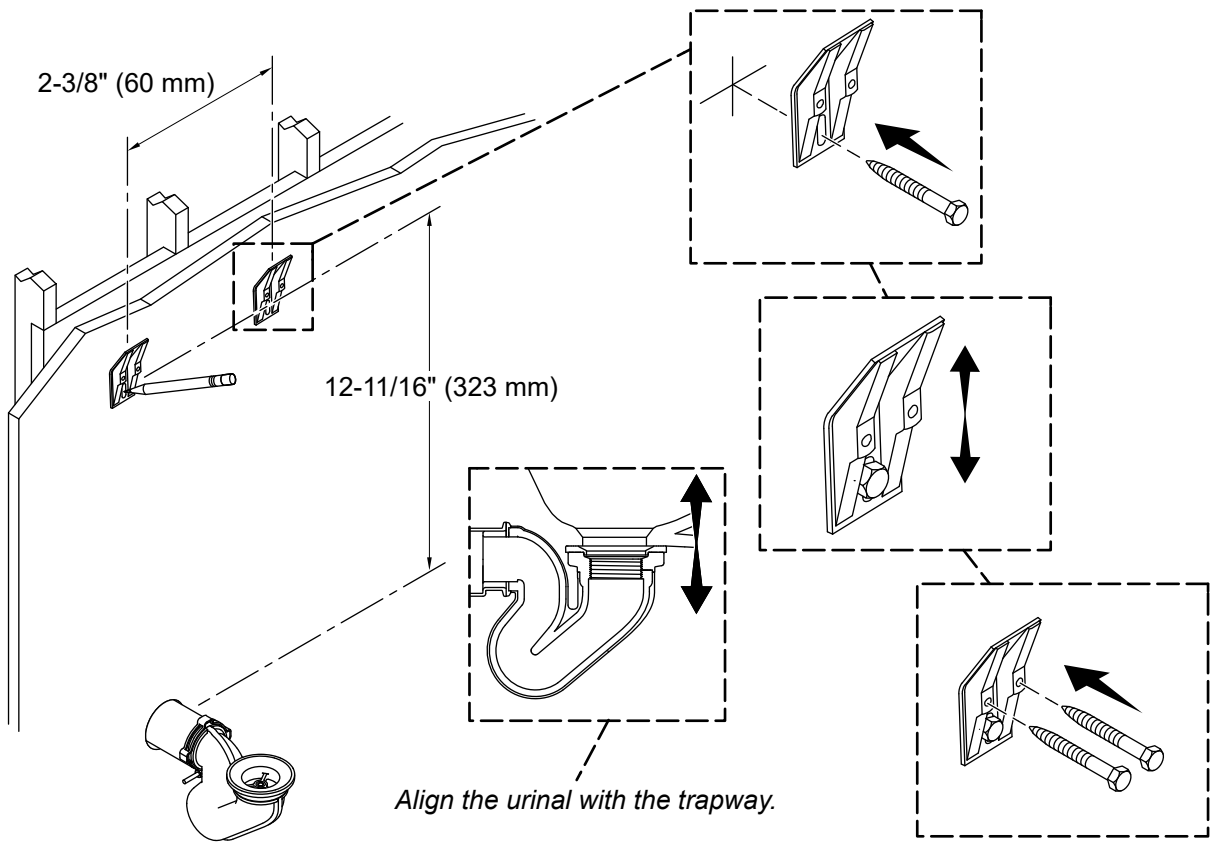








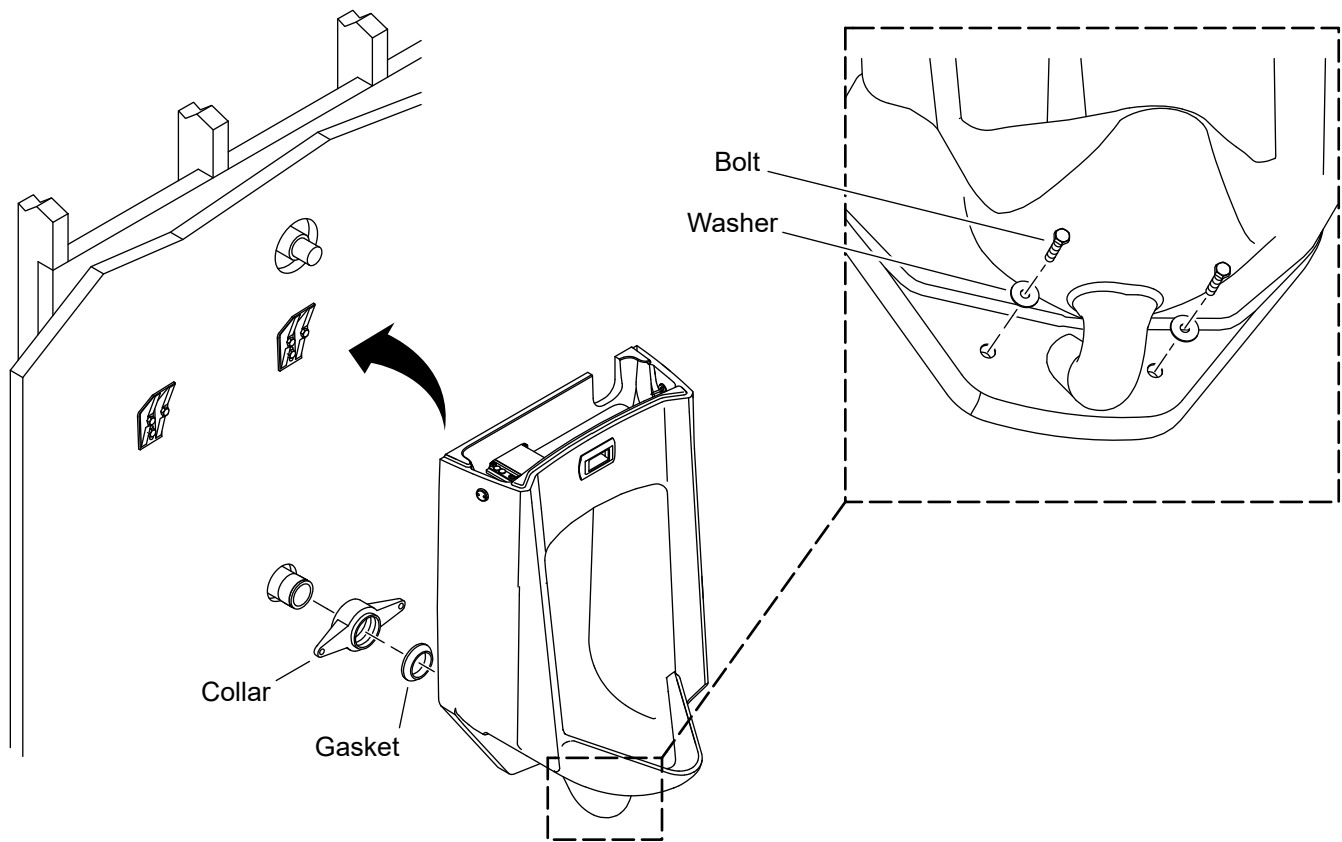




- Position the top holes of the wall hangers 19-9/16" (497 mm) above the center of the waste pipe.
- Position the top holes of the wall hangers 13" (330 mm) above the center of the waste pipe.
- Position the bottom slot of the wall hangers 15-13/16" (402 mm) above the center of the waste pipe.
- Position the bottom slot of the wall hangers 18-5/16" (465 mm) above the center of the waste pipe.
- Position the bottom slot of the wall hangers 16-5/8" (422 mm) above the center of the waste pipe.
- Position the bottom slot of the wall hangers 8-1/2" (216 mm) above the center of the waste pipe.
- Position the bottom slot of the wall hangers 15-7/8" (403 mm) above the center of the waste pipe.
- Position the bottom slot of the wall hangers 11-7/8" (302 mm) above the center of the waste pipe.
- Position the bottom slot of the wall hangers 12-11/16" (323 mm) above the center of the waste pipe.
- Position the bottom slot of the wall hangers 12-15/16" (328 mm) above the center of the waste pipe.
- Position the bottom slot of the wall hanger 13-3/32" (332 mm) above the center of the waste pipe.
- Position the bottom slot of the wall hanger 12-13/16" (324 mm) above the center of the waste pipe.
- Position the bottom slot of the wall hanger 14-15/16" (380 mm) above the center of the waste pipe.
- Position the top holes of the wall hangers 12" (305 mm) above the center of the waste pipe.
- Position the center of the wall hangers 12" (305 mm) apart and mark each location for the screws.
- Position the center of the wall hangers 5-5/16" (150 mm) apart and mark the center of the bottom slot for the screws.
- Position the center of the wall hangers 6-5/16" (160 mm) apart and mark the center of the bottom slot for the screws.
- Position the center of the wall hangers 5-7/8" (150 mm) apart and mark the center of the bottom slot for the screws.
- Position the center of the wall hangers 5" (127 mm) apart and mark the center of the bottom slot for the screws.
- Position the center of the wall hangers 2-3/8" (60 mm) apart and mark the center of the bottom slot for the screws.
- Position the center of the wall hangers 6-5/16" (160 mm) apart and mark each location for the screws.
- Mark the center of each location for the screws.
- Drill the holes at each location and loosely install a screw through the bottom slot of the wall hanger.
- Carefully hang the urinal on the wall hanger to verify that the urinal will align with the trapway.
- Remove the urinal.
- Position the wall hanger up or down as needed.
- Secure the wall hanger with the provided screws.
- Carefully hang the urinal on the wall hangers to verify that the urinal will align with the trapway.
- Remove the urinal.
- Position the wall hangers up or down as needed.
- Secure the wall hangers with the provided screws.
- Secure the wall hangers with appropriate screws (not provided).

### 3. Install the Urinal

---



**⚠ CAUTION: Risk of personal injury.** Handle this product with care. Vitreous china can break or chip if the product is handled carelessly.

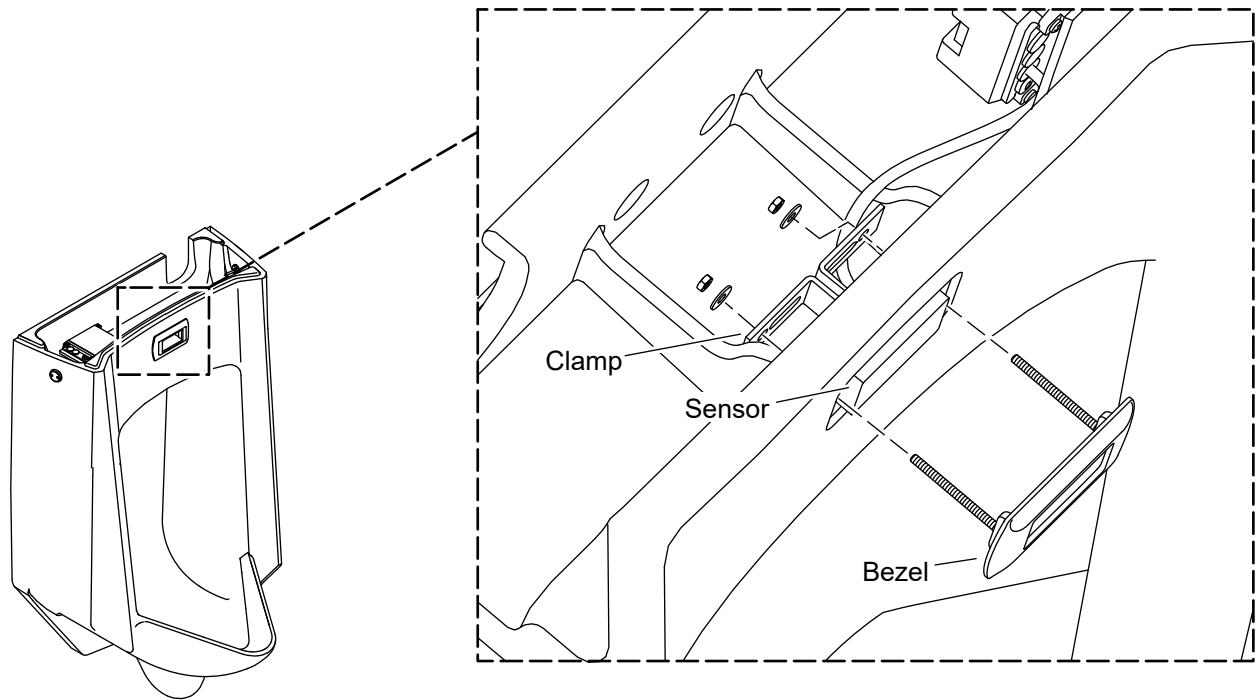
**⚠ CAUTION: Risk of product damage.** Do not overtighten the bolts.

**NOTE:** Do not caulk the top surface of the urinal. Caulk may prevent the tank cover from seating properly.

- Remove the collar and gasket from the urinal.
- Apply thread sealant tape to the threads of the waste pipe.
- Install the collar to the waste pipe.
- With the beveled surface of the gasket facing away from the collar, place the gasket onto the collar.
- Secure the urinal to the collar using the washers and bolts provided.

## 4. Install the Sensor

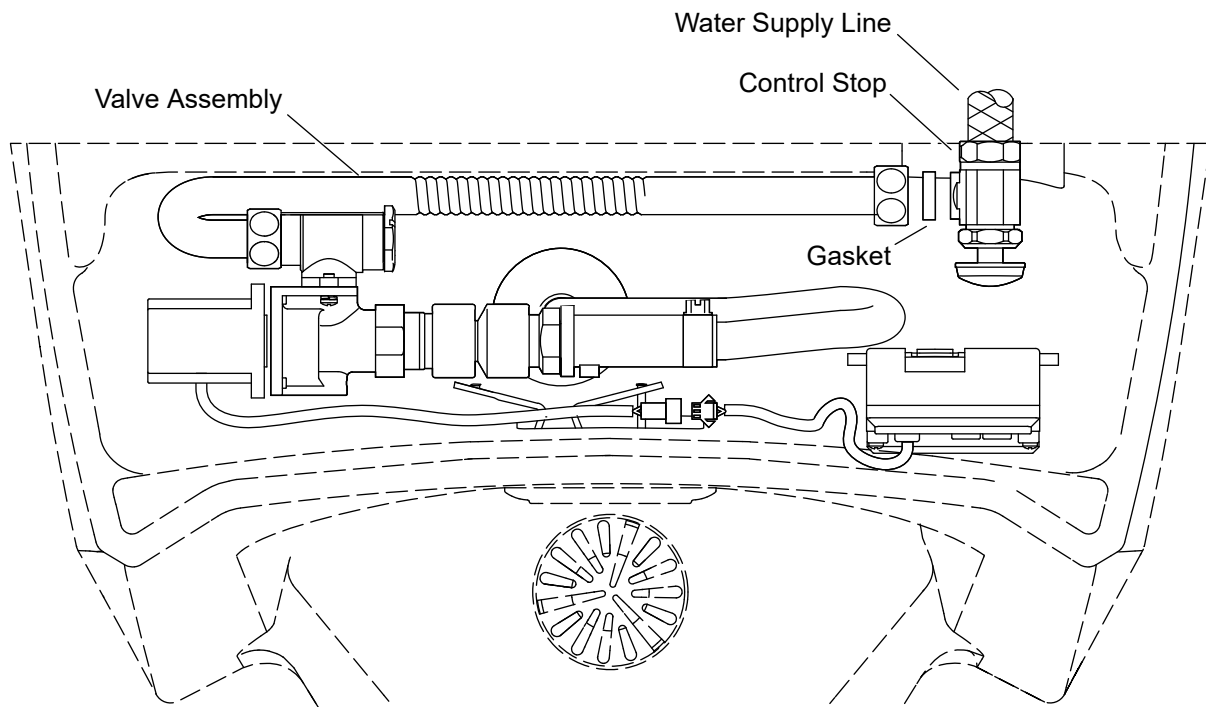
---



- Disassemble the bezel, clamps, nuts, and washers from the urinal.
- Place the sensor in the urinal.
- Place the bezel over the sensor and align the two threaded studs through the holes of the clamps.
- Secure the clamps to the studs with two nuts and two washers.
- Tighten the nuts until bezel and clamps hold the sensor securely in the hole.

## 5. Install the Valve Assembly

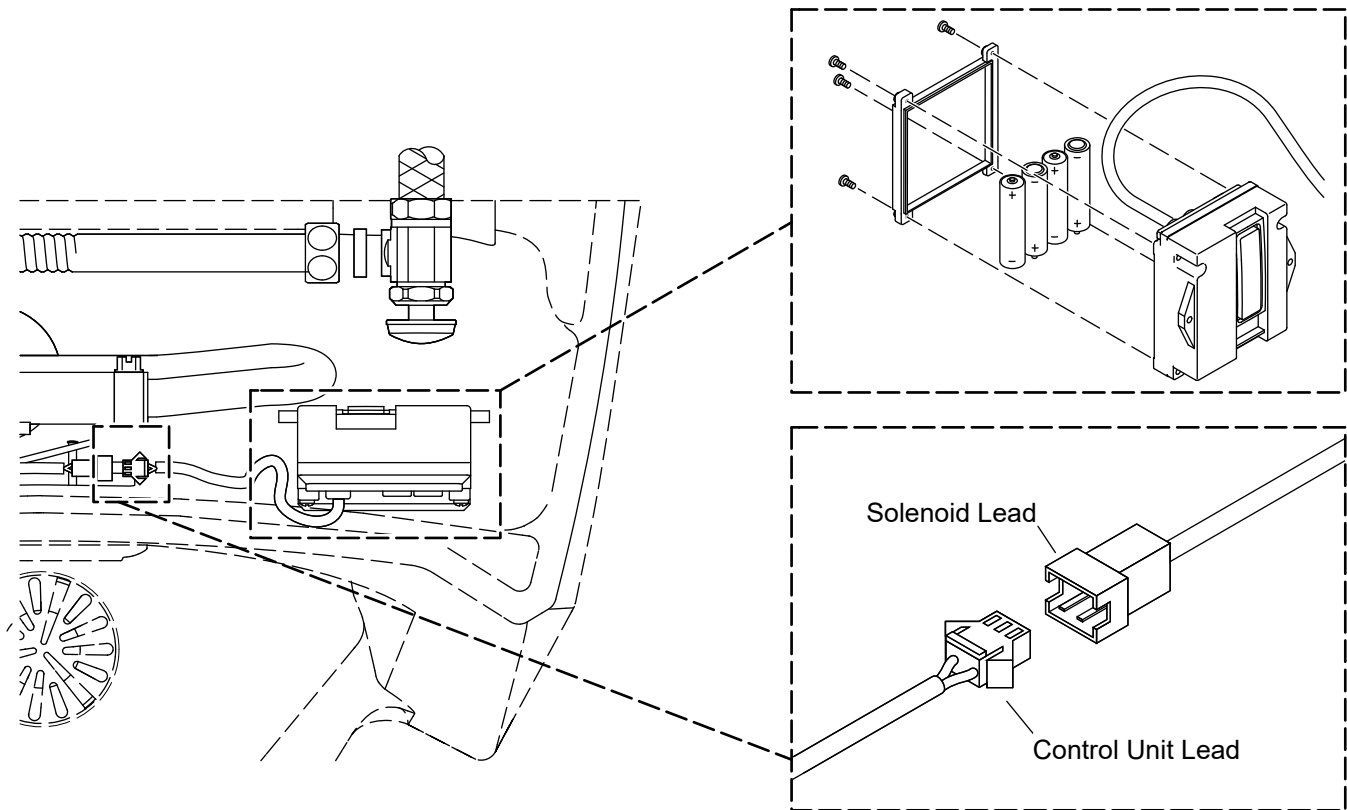
---



**IMPORTANT!** When disconnecting the control stop from the valve assembly, the gasket will fall out from the end of the valve assembly. Retain the gasket.

- Using thread sealant tape, wrap the end of the water supply line.
- Disconnect the control stop from the valve assembly.
- Retain the gasket from the valve assembly.
- Attach the control stop to the water supply line.
- Reinsert the gasket into the end of the valve assembly.
- Reconnect the control stop to the valve assembly.

## 6. Test the Control Unit



### Connect

- Remove the four screws from the cover of the battery compartment. Set the four screws and cover aside.
- Install four AA batteries (not provided) into the battery compartment.
- Reinstall the cover to the battery compartment.
- Plug the solenoid lead into the control unit lead. Wait 10 minutes before proceeding.

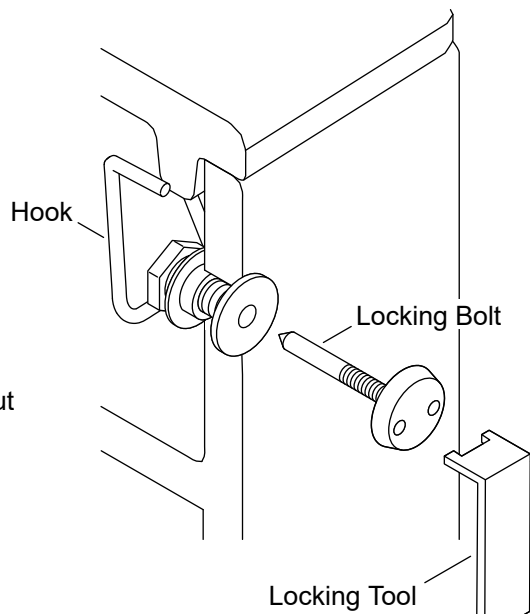
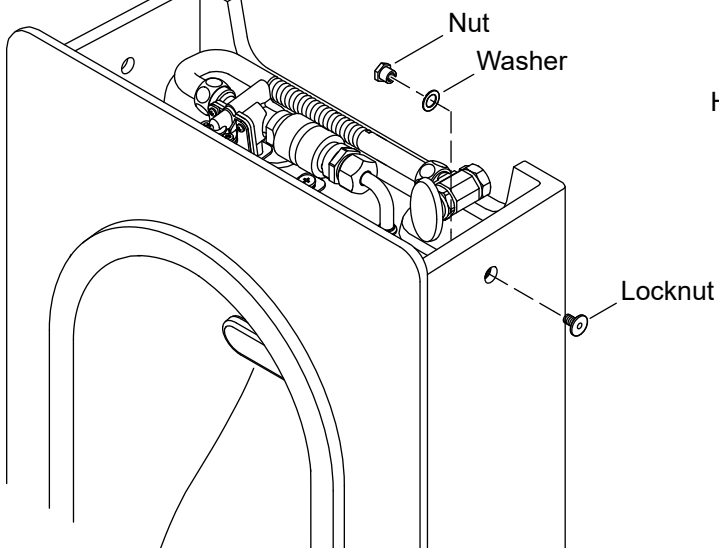
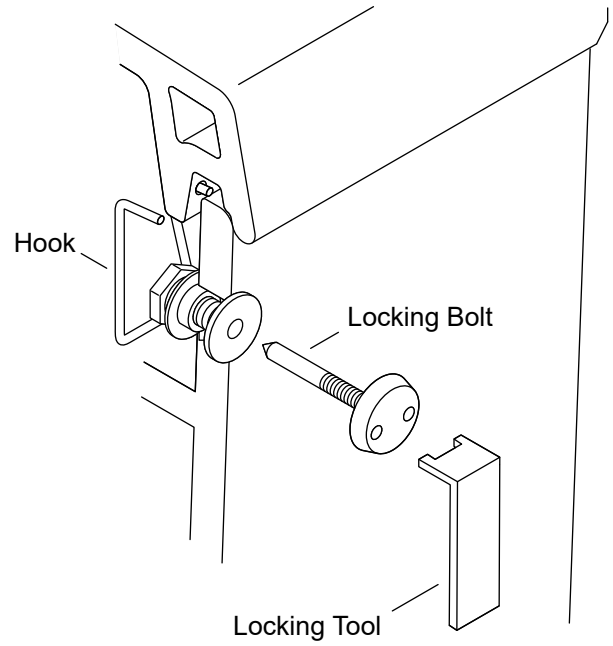
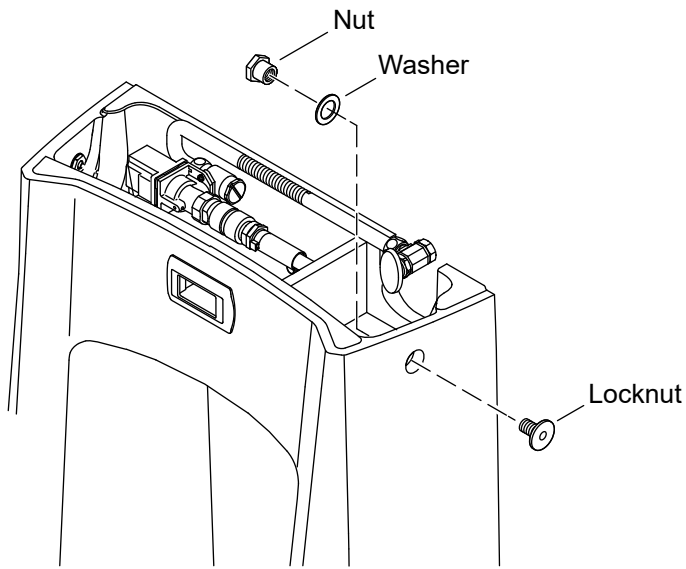
### Test

- Stand in front of the urinal for at least 10 seconds.
- Step aside from the urinal. The valve will flush after a slight delay.

### Check

- Check the entire installation for leaks. Repair as needed.
- If cover locks will not be installed, place the cover on the tank. If cover locks will be installed, proceed to the "Install the Locks" section.

## 7. Install the Locks





**CAUTION: Risk of product damage.** Do not overtighten the locknut.

- From the inside of the tank, insert a washer and nut into the hole located on the side of the tank.
- From the outside of the tank, insert a locknut into the hole and through the nut.
- Tighten the locknut. **Do not overtighten the locknut.**
- Repeat the previous steps for the other side.
- Attach a hook to each side of the cover as shown.
- Place the cover on the tank.
- Insert a locking bolt into each locknut and tighten with the provided locking tool.
- Lift the cover to verify that the cover is properly locked.
- Adjust the cover lock components, if necessary.