



HOME ELEGANCE

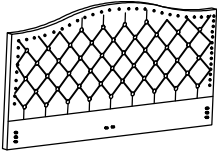
# ASSEMBLY INSTRUCTION

1882KN-1EK EASTERN KING BED HEADBOARD

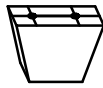
1882KN-2EK EASTERN KING BED FOOTBOARD

1882KN-3EK EASTERN KING BED RAILS & SLATS

HEADBOARD LIST: ( NOTE:HARDWARE PACK INSIDE THE CARTON OF 1882KN-1EK )



A: Headboard  
1PC



B: Leg  
2PCS



C:LSF Wing  
1PC



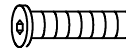
D:RSF Wing  
1PC



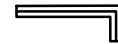
E: Spring Washer  
4PCS



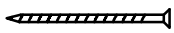
F: Flat Washer  
8PCS



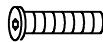
G: Bolt M8\*30mm  
4PCS



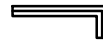
H: Allen Key 5mm  
1PC



I: Screw 4.0\*60mm  
4PCS



J: Bolt M6\*35mm  
4PCS



K: Allen Key 4mm  
1PC

FOOTBOARD AND RAILS LIST:( NOTE:HARDWARE PACK INSIDE THE CARTON OF 1882KN-3EK)



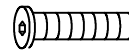
B: Leg  
2PCS



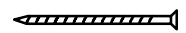
E: Spring Washer  
4PCS



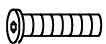
F: Flat Washer  
4PCS



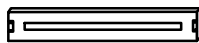
G: Bolt M8\*30mm  
4PCS



I: Screw 4.0\*60mm  
4PCS



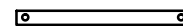
J: Bolt M6\*35mm  
4PCS



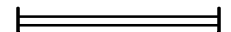
L: Rail  
2PCS



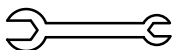
M: Footboard  
1PC



N: Slat  
4PCS



O: Center Support  
Rail 1PC



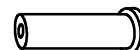
P: Wrench 1/4\*35mm  
1PC



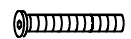
Q: Nut 1/4  
8PCS



R: Bolt 1/4\*15mm  
4PCS



S: Support Leg  
4PCS

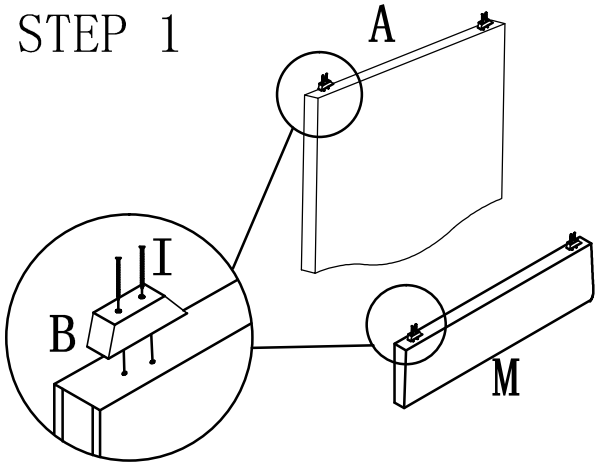


T: Bolt 1/4\*48mm  
8PCS

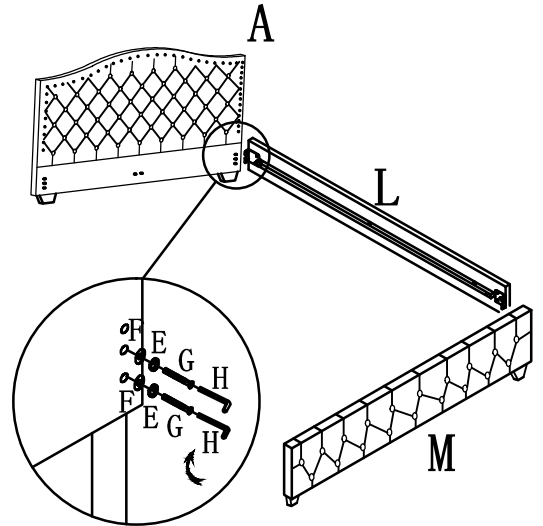
# ASSEMBLY INSTRUCTION FOR REGULAR BED SET.

NOTE: PLEASE DO NOT TIGHTEN ALL BOLTS UNTIL THE BED IS ASSEMBLED COMPLETELY.

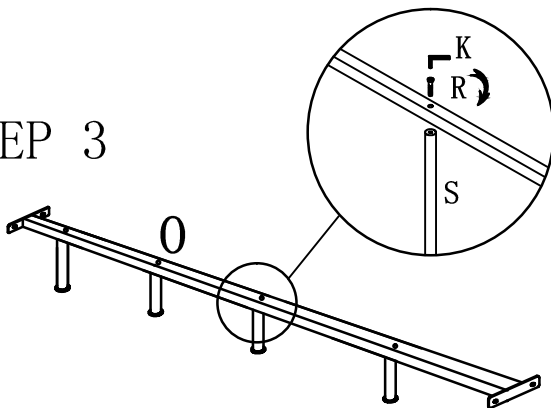
STEP 1



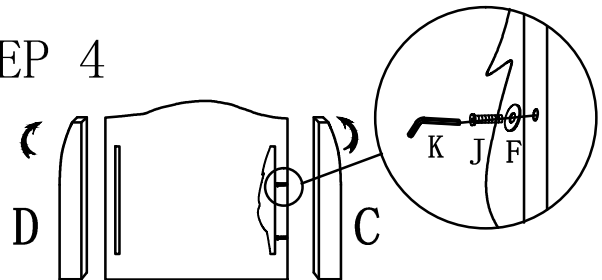
STEP 2



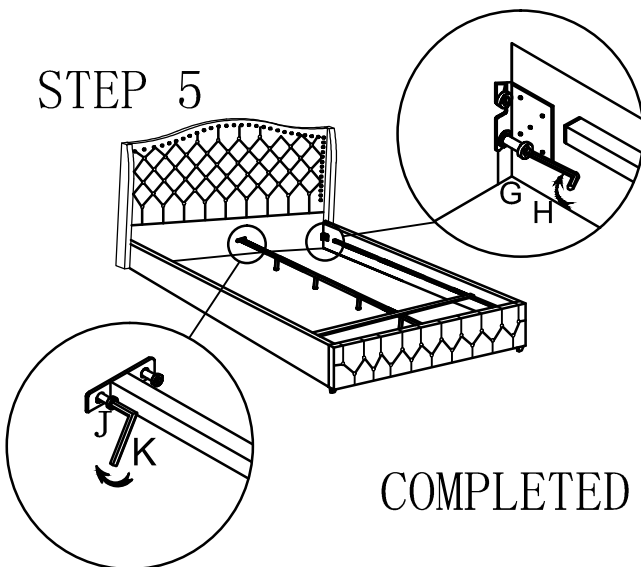
STEP 3



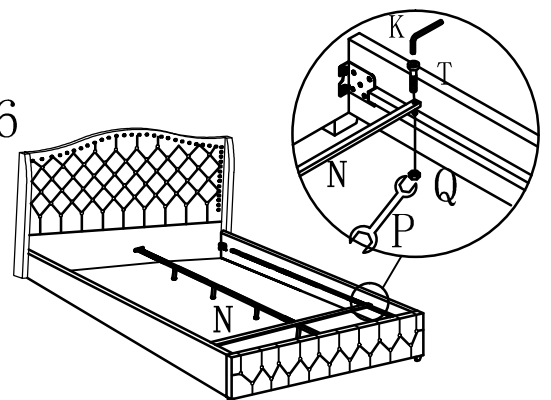
STEP 4



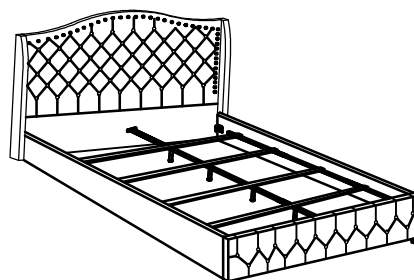
STEP 5



STEP 6



COMPLETED

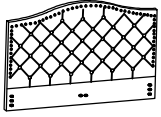




# ASSEMBLY INSTRUCTION

HOME ELEGANCE 1882KN-1EK EASTERN KING HEADBOARD

HEADBOARD LIST: ( NOTE:HARDWARE PACK INSIDE THE CARTON OF 1882KN-1EK )



A: Headboard  
1PC

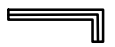
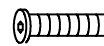
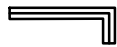
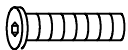
B: Leg  
2PCS

C:LSF Wing  
1PC

D:RSF Wing  
1PC

E: Spring Washer  
4PCS

F: Flat Washer  
8PCS



G: Bolt M8\*30mm  
4PCS

H: Allen Key 5mm  
1PC

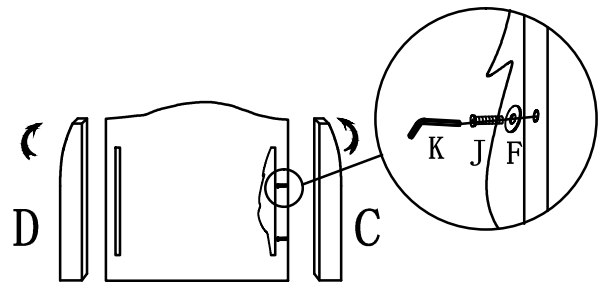
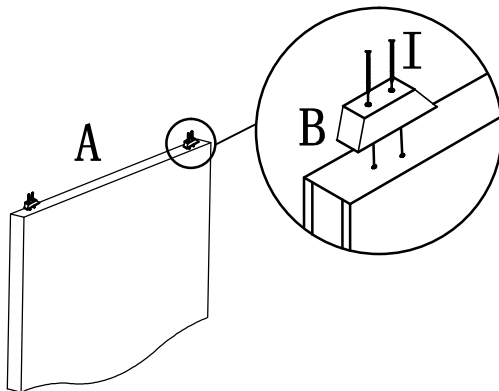
I: Screw 4.0\*60mm  
4PCS

J: Bolt M6\*35mm  
4PCS

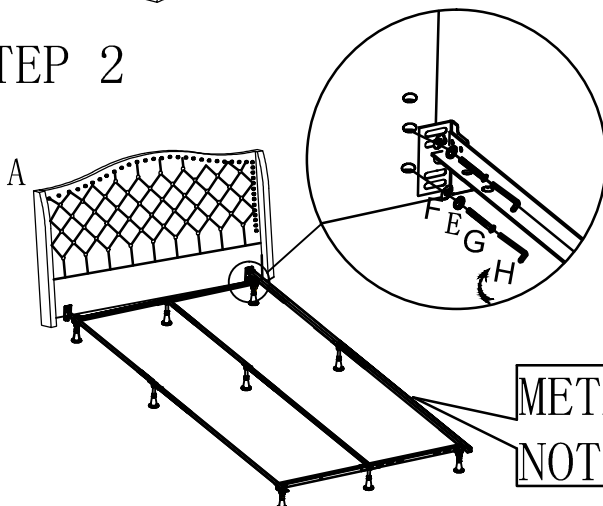
K: Allen Key 4mm  
1PC

ASSEMBLY INSTRUCTION FOR 1882KN-1EK EASTERN KING HEADBOARD ONLY.  
NOTE: PLEASE DO NOT TIGHTEN ALL BOLTS UNTIL THE BED IS ASSEMBLED COMPLETELY.

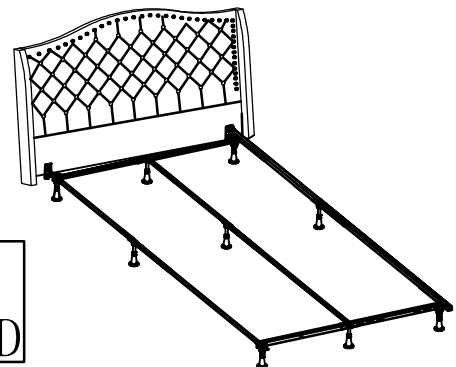
## STEP 1



## STEP 2



COMPLETED



METAL FRAME  
NOT INCLUDED