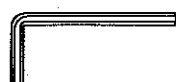


ASSEMBLY INSTRUCTION

3217PU GAS LIFT TABLE

A Allen Wrench



1pc

B Bolt



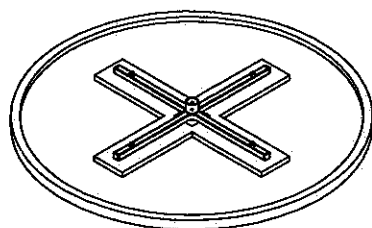
8pcs

C Sleeve



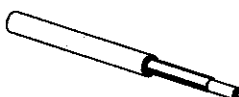
1pc

D Table Top



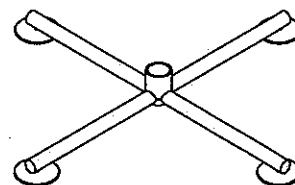
1pc

E Leg Mechanism

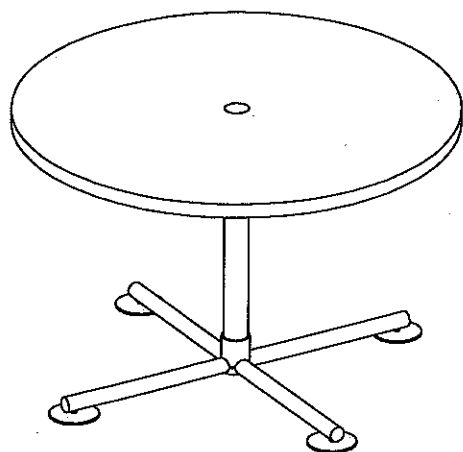


1pc

F Legs



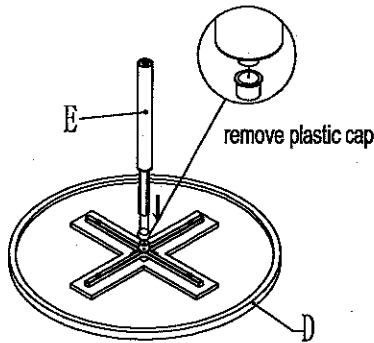
1pc



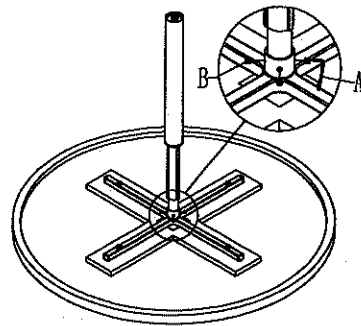
This page lists all the contents included in the box. Please take the time to identify the hardware as well as the individual components to this product. As you unpack and prepare for assembly, place the contents on a carpeted or padded area to protect them from damage.

Do not tighten screws & bolts until the entire unit is completely assembled.

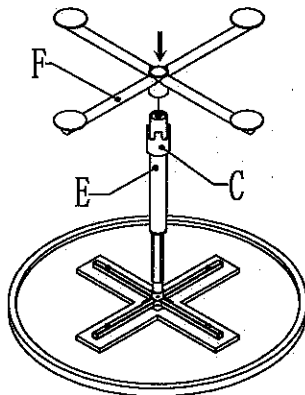
- 1** Assemble the table top(D) and leg mechanism(E). First, remove plastic cap.



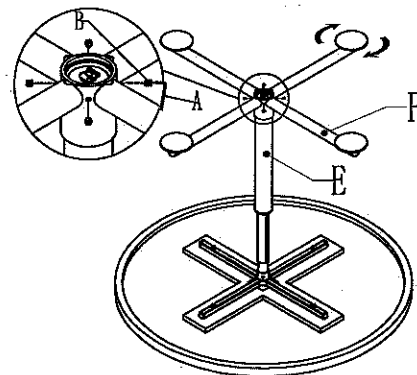
- 2** Then by the bolt(B) with allen wrench(A); Tighten all the bolts.



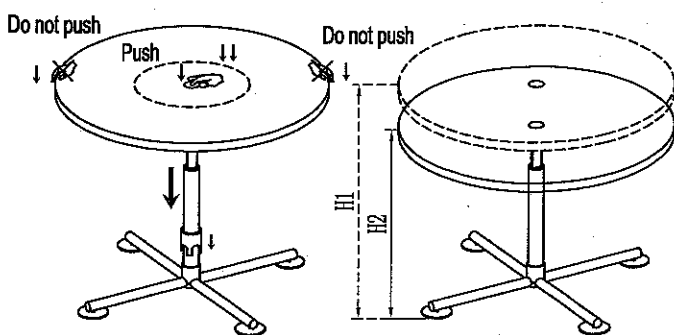
- 3** Put the sleeve(C) through into the leg mechanism (E) and then attach the legs(F) on it.



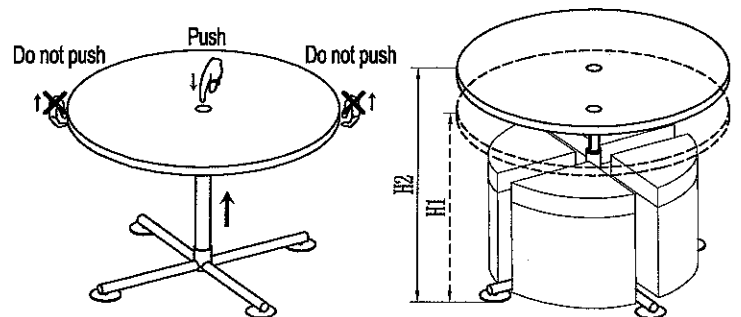
- 4** Assemble the legs(F) and leg mechanism (E) together by bolt(B) with allen wrench (A); Tighten all the bolts.



- 5** Turn over the table and check. Press the center button to lower the table height. Do not push the table edge to lower the table.



- 6** Press the center button to increase the table height. Do not pull the table edge.



Cleaning & Care

Treat surface with care. Surface is resistant to scratches but is not scratch resistant. Clean surfaces with a dry or damp soft cloth. Do not use abrasive cleaners. Hardware may loosen over time. Periodically check that all connections are tight.