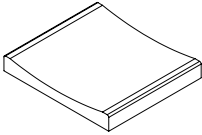
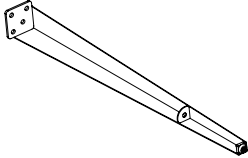
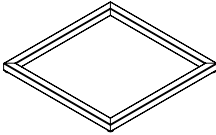
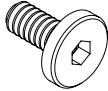
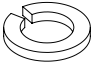
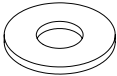
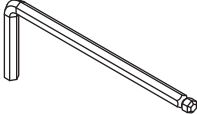
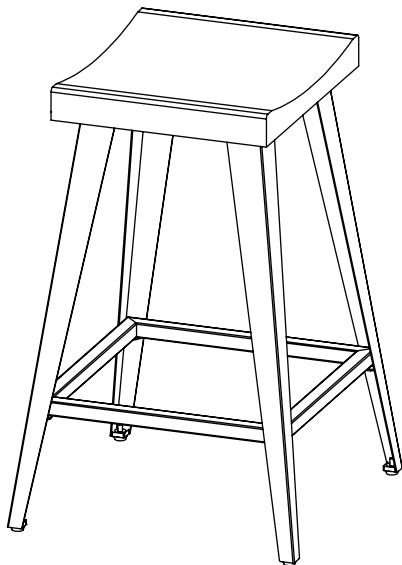


ASSEMBLY INSTRUCTIONS

24"H COUNTER HEIGHT STOOL

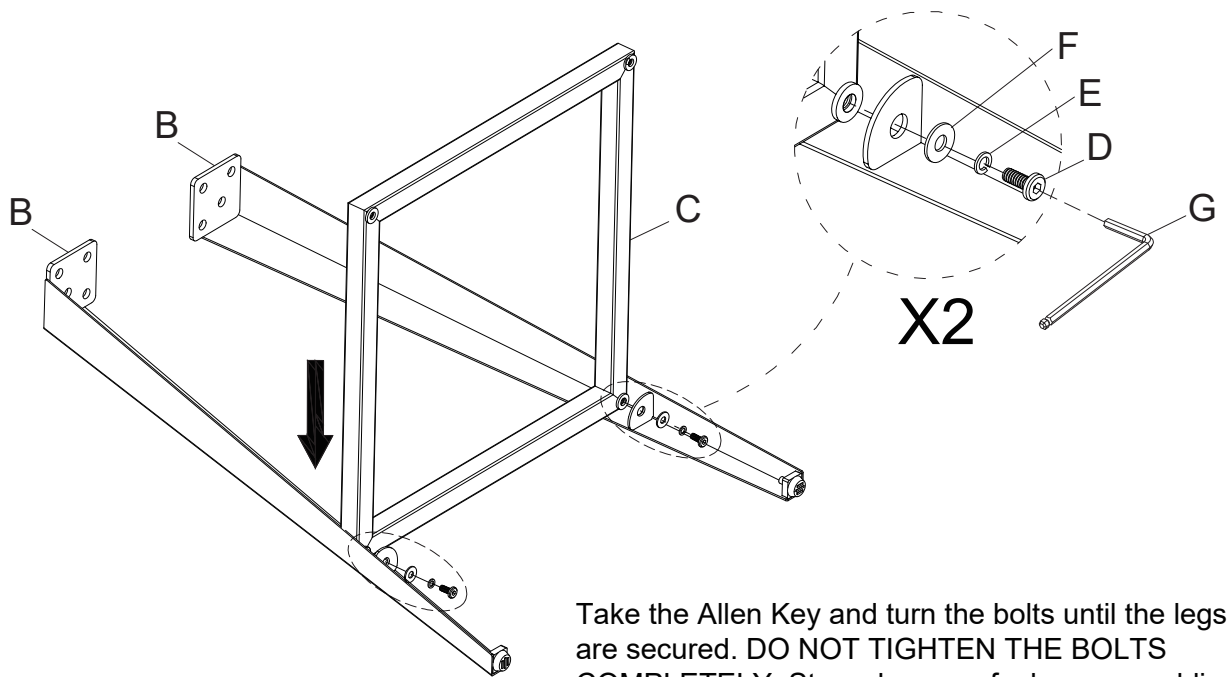
A Wood Seat	B Metal Leg	C Footrest Frame	D Bolt Ø1/4" x 3/5" x Ø13mm
			
1PC	4PCS	1PC	20PCS
E Spring Washer Ø2/5" x Ø1/4" x 1.3mm	F Flat Washer Ø3/4" x Ø1/4" x 1.5mm	G Allen Key M4	
			
20PCS	20PCS	1PC	



This page lists all the contents included in the box. Please take the time to identify the hardware as well as the individual components to this product. As you unpack and prepare for assembly, place the contents on a carpeted or padded area to protect them from damage.

1

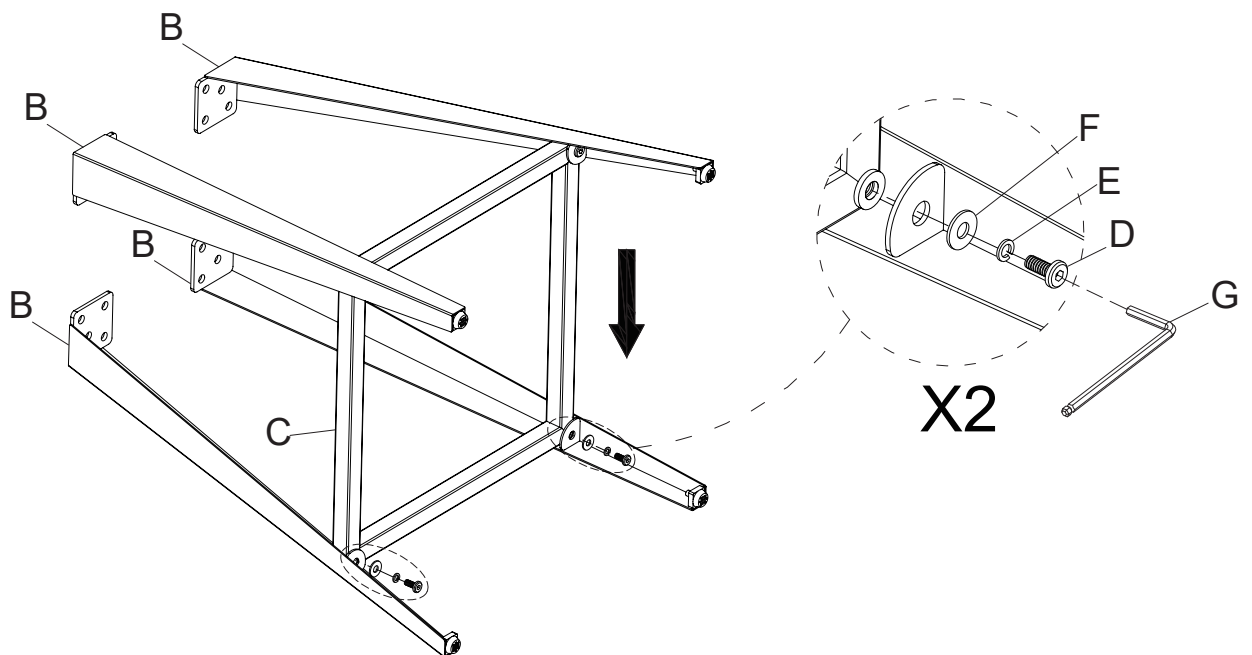
Attach the Footrest Frame (C) to the Metal Leg (B) using Bolt (D), Spring Washer (E) and Flat Washer (F) with Allen Key (G).



Take the Allen Key and turn the bolts until the legs are secured. **DO NOT TIGHTEN THE BOLTS COMPLETELY.** Stop when you feel you are adding force to tighten the bolt.

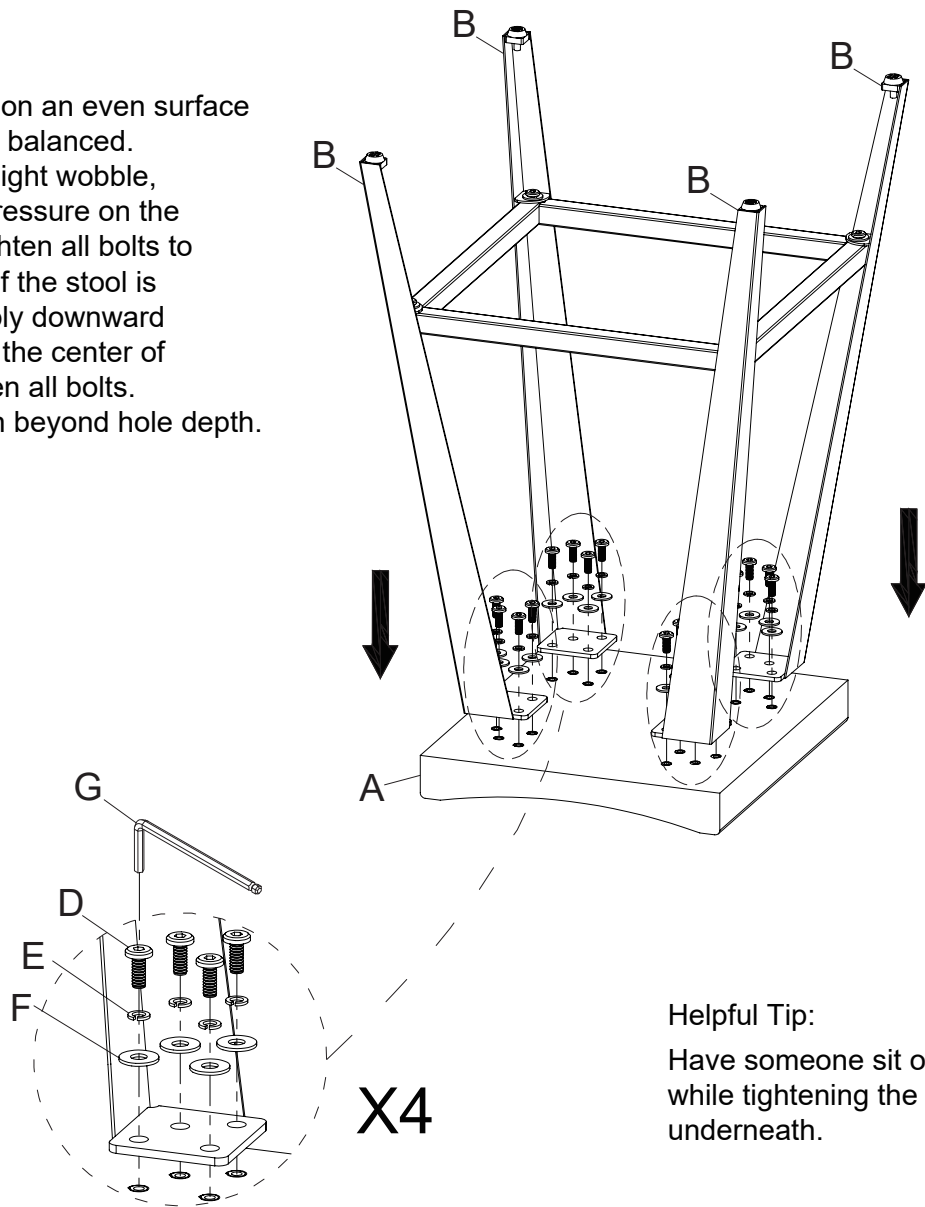
2

Attach the other 2pcs Metal Leg (B) to the Footrest Frame (C) using Bolt (D), Spring Washer (E) and Flat Washer (F) with Allen Key (G).



3 Attach the Metal Leg (B) to the Wood Seat (A) using Bolt (D), Spring Washer (E) and Flat Washer (F) with Allen Key (G).

Stand up the stool on an even surface and check that it is balanced. If the stool has a slight wobble, apply downward pressure on the uneven leg and tighten all bolts to fix the imbalance. If the stool is now balanced, apply downward pressure evenly in the center of the stool and tighten all bolts. Do not over-tighten beyond hole depth.



Helpful Tip:
Have someone sit on the stool while tightening the bolts from underneath.

Cleaning & Care

Treat surfaces with care. Surfaces are resistant to scratches but are not scratch resistant. Clean surfaces with a dry or damp soft cloth. Do not use abrasive cleaners. Hardware may loosen over time. Periodically check that all connections are tight.