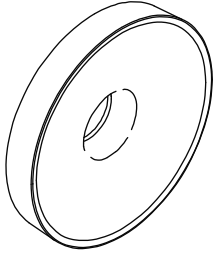


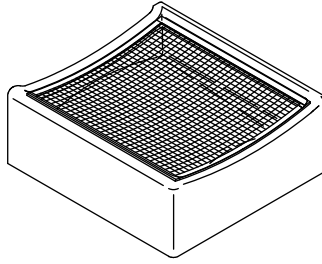
Installation Guide

Wall/Ceiling Mount Faucet

K-922, K-923



K-924

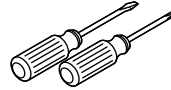
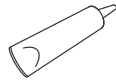
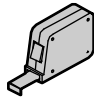


M product numbers are for Mexico (i.e. K-12345**M**)
Los números de productos seguidos de
M corresponden a México (Ej.
K-12345**M**)
Français, page "Français-1"
Español, página "Español-1"

THE BOLD LOOK
OF **KOHLER**®

1006741-2-J

Tools and Materials



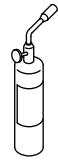
Silicone Sealant

Pencil

Level

Tape Measure

Screwdrivers



Drill

Adjustable Wrench

Solder

Propane Torch

Plus:

- 2x4 lumber
- 1x3 lumber
- Pipe Strap

Before You Begin

- Shut off the water supply.
- Observe all local plumbing and building codes.
- Do not use this flow spout as a showerhead because it will cause excessive splashing and does not meet showerhead codes.
- Refer to the product specification sheet for recommended valves.

NOTE: A flow rate lower than the flow rate listed on the specification sheet may disrupt the water flow.

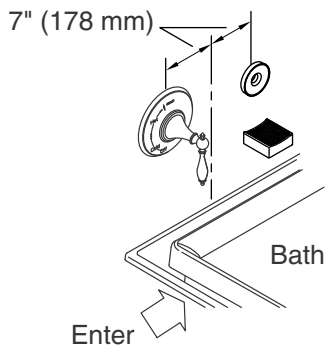
- The drip tray is an optional accessory available for the wall mount but not for the ceiling mount.
- A water hammer arrestor is recommended in ceiling mounted applications using a high flow, deck mounted valve. Kohler Co. recommends that a Sioux Chief 652-AD vacuum breaker arrestor be located near the outlet side of the valve. Contact Sioux Chief at 1-800-821-3944 or www.siouxchief.com.
- For ceiling mount applications, the height from the bottom of the bath to the spout should not exceed 9' (2.7 m).
- In applications where excessive air could enter the water supply, install an air separator to eliminate air bubbles.
- When a deck mounted transfer valve (K-408-K or K-409-K) is used for a ceiling mount, install a check valve between the spout and the diverter.

Before You Begin (cont.)

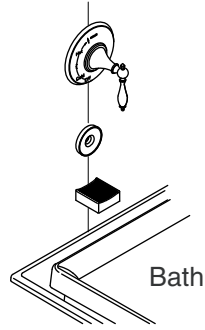
- Minimize the number of 90 degree elbows between the mixing valve and the spout.
- Ensure a minimum of 36" (914 mm) of straight piping prior to the spout.
- Measure the flow rate after the mixing valve to confirm the correct model of laminar flow spout is used [K-922 for 5-10 gal/min (18.9-37.9 l/min)], [K-923 for 7-15 gal/min (26.5-56.8 l/min)].

NOTE: Splashing may occur if the flow rate is less than 5 gal/min (18.9 l/min).

- Remove the mounting sleeve and cartridge before installing the spout body.



Offset Installation



Center Installation

1. Determine the Location



CAUTION: Risk of property damage. When employing a wall mount installation, install this spout at the end of the bathing fixture so the water stream projection stays within the bathing fixture.

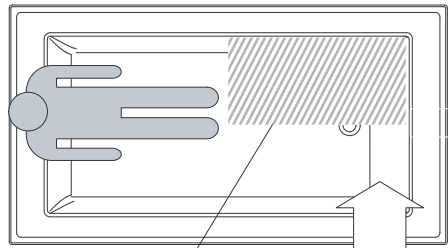
- There are three recommended installation configurations for the spout: 1) offset wall mount, 2) center wall mount, and 3) ceiling mount. The offset wall mount is highly recommended for the safety of the user.

Offset Installation

- The spout assembly is placed 7" (178 mm) from the center of the bathing fixture, away from the entry side of the fixture.
- The offset configuration allows users to avoid the stream of water when entering or using the bathing fixture.

Center Installation

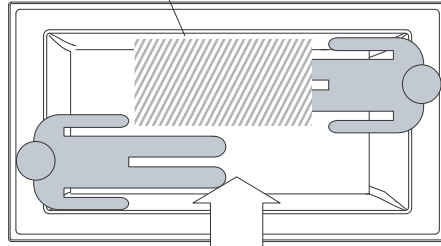
- The spout assembly is positioned directly above and on the centerline of the bathing fixture.
- This installation should only be used when the offset installation is not possible.



One Bather

Enter

Ceiling Installation Range

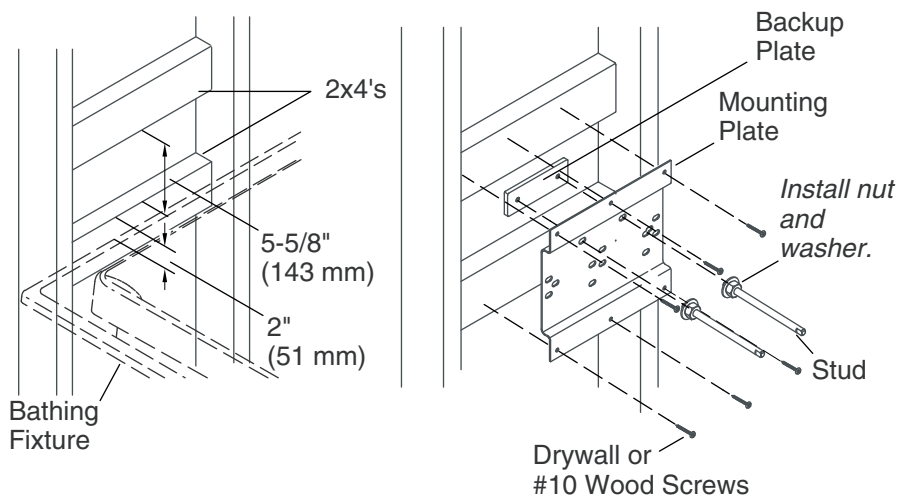


Two Bathers

Enter

2. Ceiling Installation Layout

- Install the spout in the ceiling over the bathing fixture at the shaded areas shown in the illustration.
- Mount the spout so it is 9' (2.7 m) or less from the bottom of the bathing fixture.
- Locate the spout so the water stream contacts the flat bottom of the bathing fixture. Excess splashing will occur if the water stream contacts whirlpool jets or bathing fixture corners.



3. Install the Drip Tray Mounting Plate

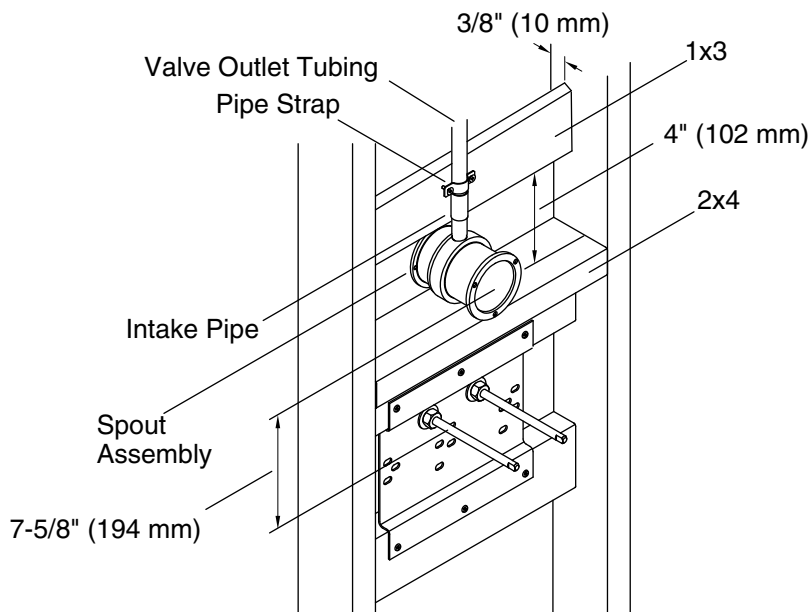
NOTE: The drip tray is an optional accessory available for wall mount but not for ceiling mount.

NOTE: Install the 2x4's so the drip tray is level or has a slight forward slope to ensure proper drainage.

- Attach a 2x4 flush to the back of the wall studs to support the lower lip of the drip tray mounting plate. Position the 2x4 so it will be 2" (51 mm) above the top of the bathing fixture.
- Attach a second 2x4 so it is 5-5/8" (143 mm) above the first 2x4.

NOTE: When 2x6 wall studs are present, install the 2x4's so they are supported 2" (51 mm) from the back of the wall studs.

- Attach the drip tray mounting plate to the 2x4's using six drywall or #10x1" screws. Make sure the mounting plate is centered under the spout's location.



4. Install the Spout – Wall Installation

- Install a 2x4 for spout support so it lays flush against the top support of the drip tray. **If the drip tray is installed**, the spout center must be 7-5/8" (194 mm) from the drip tray mounting studs. **If the drip tray is not installed**, the spout center must be 14-16" (356-406 mm) from the deck of the bathing fixture.

NOTE: When 2x6 wall studs are present, the front of the 2x4 must be flush with the front of the wall studs.

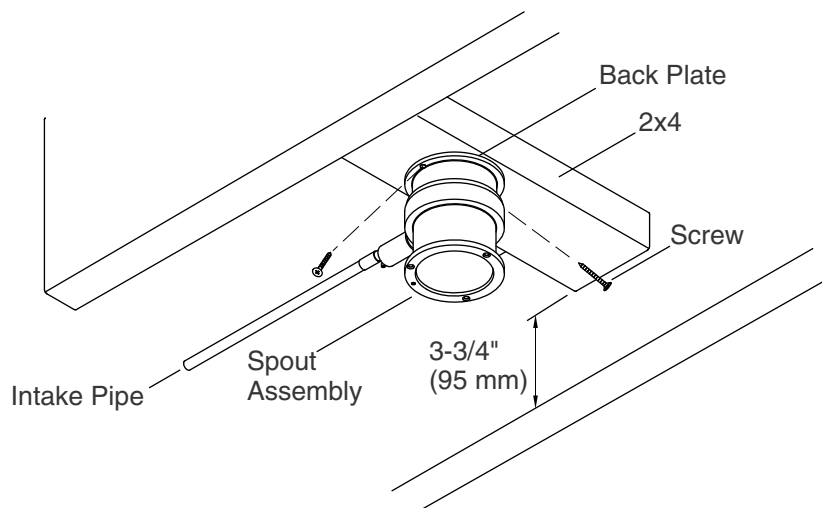
- Install a 1x3 so it is 4" (102 mm) above the 2x4 and inset 3/8" (10 mm) from the back of the studs. The larger side of the 1x3 must face outward.

NOTE: When 2x6 wall studs are present, install the 1x3 so it is 2-3/8" (60 mm) from the back of the wall studs.

- Place the spout assembly into position. Verify that the spout and drip tray mounting plate (if installed) are centered.
- Remove the boot cap from the end of the intake pipe.
- Remove the mounting sleeve and cartridge.

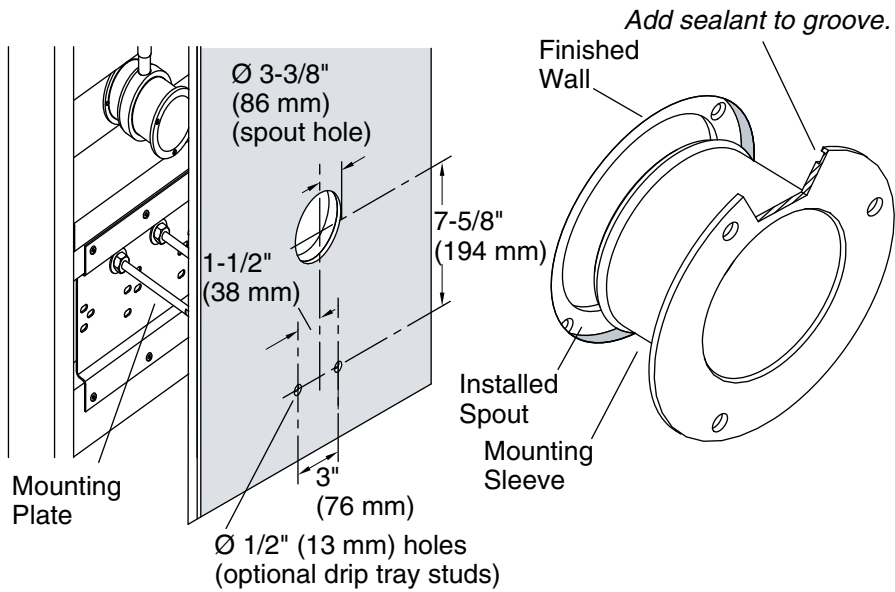
Install the Spout – Wall Installation (cont.)

- Solder the intake pipe to the valve outlet tubing.
- Secure the valve outlet tubing to the 1x3 using a pipe strap.



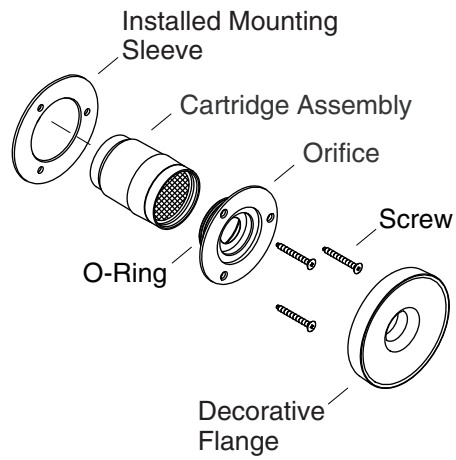
5. Install the Spout – Ceiling Installation

- Install a 2x4 for support in the location where the spout will be mounted. Position the 2x4 support so it is 3-3/4" (95 mm) from the bottom of the joist.
- Install the spout assembly to the 2x4 using two wood screws, inserted at the angles shown, through the holes in the back plate.
- Remove the boot cap from the end of the intake pipe.
- Remove the mounting sleeve and cartridge.
- Solder the intake pipe to the valve outlet tubing.



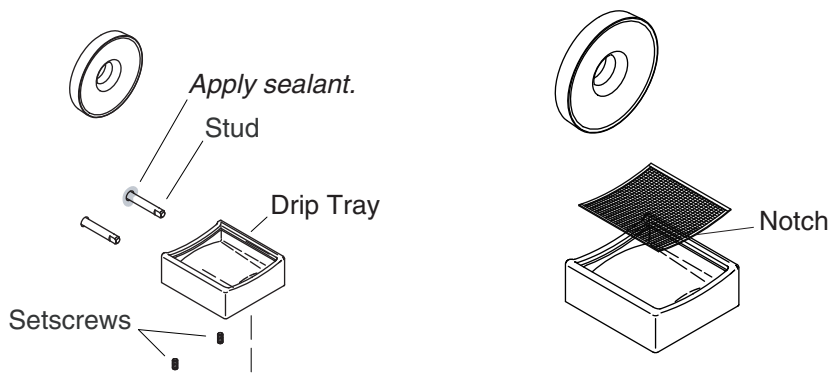
6. Complete the Installation

- Complete the finished wall and/or ceiling.
- If installing the optional drip tray, make sure the studs are positioned and tightened correctly.
- Apply silicone sealant to the groove in the flange of the mounting sleeve.
- Insert the mounting sleeve in the spout. Align the three screw holes.



7. Assemble the Spout

- Slide the cartridge assembly onto the orifice O-ring until it fits snugly. Install the cartridge assembly/orifice into the mounting sleeve and align the holes.
- Install the three screws and tighten until the sleeve and orifice are tight against the wall.
- Thread the decorative flange clockwise into the orifice and hand-tighten until secure against the wall.



8. Install the Drip Tray and Screen

- Verify that the studs are positioned and tightened correctly.
- Apply a bead of silicone sealant around the base of each drip tray mounting stud.
- Slide the drip tray onto the mounting studs until it is flush to the finished wall, and tighten with the two setscrews.
- To install the screen in the drip tray, locate the notch on the bottom edge of the screen. Align the notched end of the screen to the front edge of the block.
- Gently press the screen until it fits into the groove in each side of the drip tray.