
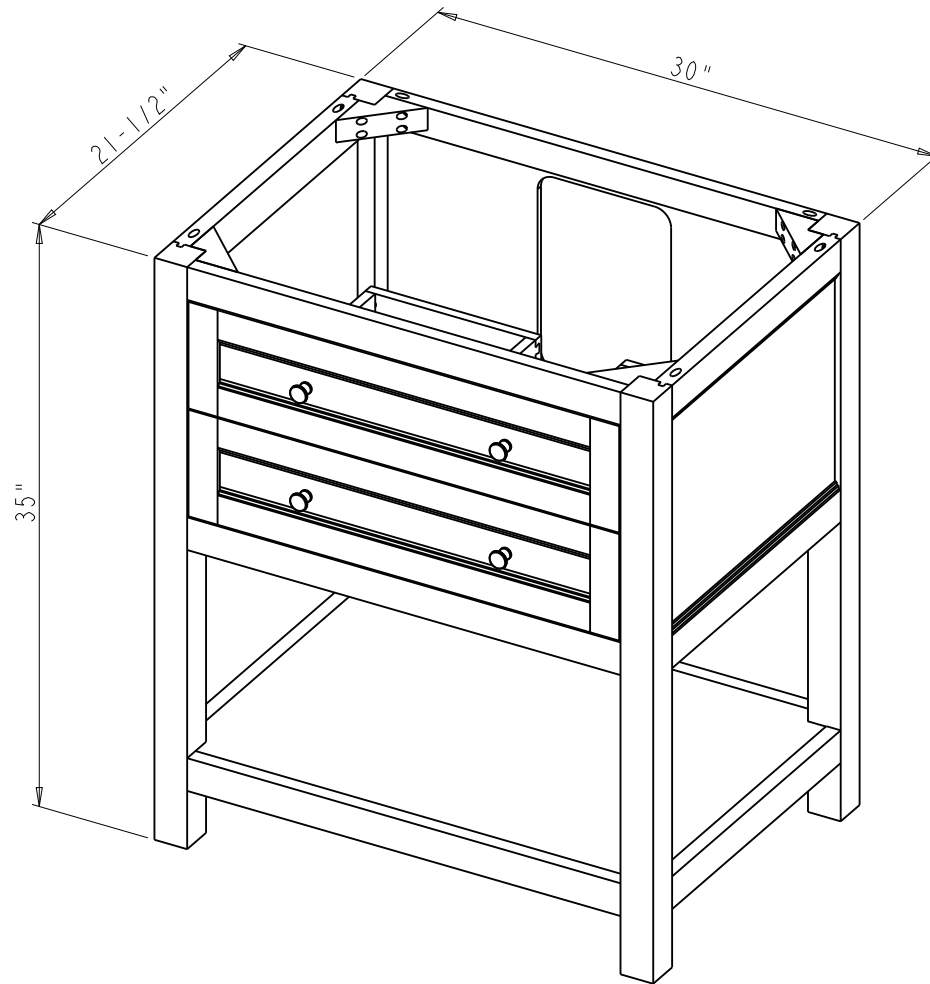



Specification:

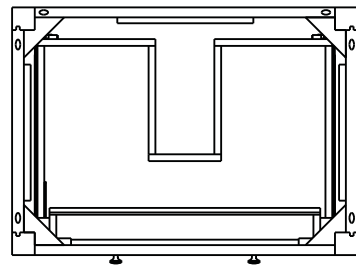
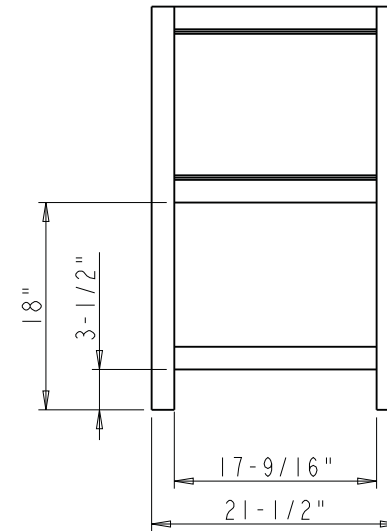
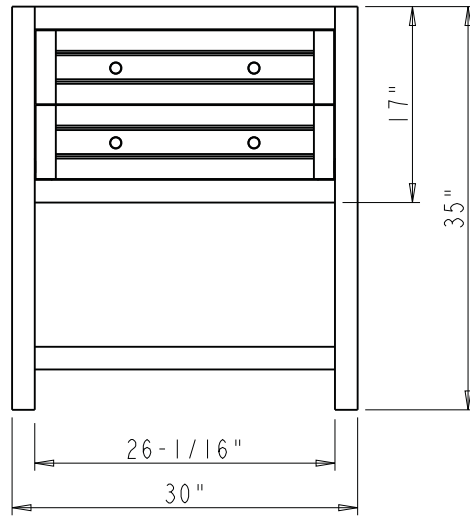
1. Material: PLY wood and Birch
2. Finish: See Table
3. Hardware: See Table
4. Lid Stay (1 PCS)
5. Hinge: 700.0537.25 + 600.1234.05 (2 Set)
6. Slide: USE58-300-18 + US-CLIP-4W (1 Set)
7. The tolerance is +/- 1/8"


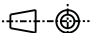
Item number	Finish	Deco Hardware	
		Item number	Qty
VN2AST-30-WH-NT	White	3915-SN	4
VN2AST-30-ES-NT	Espresso	3915-SN	4
VN2AST-30-GR-NT	Grey	3915-SN	4

 <p>PROPRIETARY AND CONFIDENTIAL</p> <p>THE INFORMATION CONTAINED IN THIS DRAWING IS THE SOLE PROPERTY OF HARDWARE RESOURCES INC. ANY REPRODUCTION IN PART OR AS A WHOLE WITHOUT THE WRITTEN PERMISSION OF HARDWARE RESOURCES INC. IS PROHIBITED.</p> <p>DO NOT SCALE DRAWING</p>	ITEM#: VN2AST-30	MATERIAL:		
	FINISH:	WEIGHT: 9		
	TOLERANCE UNLESS OTHERWISE SPECIFIED: X ±0.20 X.X ±0.10 X.XX ±0.05 ANGULAR: ±0.5°	UNITS:	DRAWN BY: <i>Hugo.cai</i>	DATE: May-04-20
	SIZE:	APPROVED BY:	DATE:	REVISION:
SHEET:		RELEASE LEVEL:	REVISION:	



 PROPRIETARY AND CONFIDENTIAL THE INFORMATION CONTAINED IN THIS DRAWING IS THE SOLE PROPERTY OF HARDWARE RESOURCES INC. ANY REPRODUCTION IN PART OR AS A WHOLE WITHOUT THE WRITTEN PERMISSION OF HARDWARE RESOURCES INC. IS PROHIBITED.	ITEM#: VN2AST - 30		MATERIAL:		
	FINISH:		WEIGHT: 9		
	TOLERANCE UNLESS OTHERWISE SPECIFIED: X ±0.20 X.X ±0.10 X.XX ±0.05 ANGULAR: ±0.5°		UNITS:	DRAWN BY: <i>Hugo.cai</i>	DATE: May-06-20
	DO NOT SCALE DRAWING		SIZE:	APPROVED BY:	DATE:
		SHEET:	RELEASE LEVEL:	REVISION:	



	ITEM#: VN2AST-30		MATERIAL:		
	FINISH:		WEIGHT:		
<p>PROPRIETARY AND CONFIDENTIAL</p> <p>THE INFORMATION CONTAINED IN THIS DRAWING IS THE SOLE PROPERTY OF HARDWARE RESOURCES INC. ANY REPRODUCTION IN PART OR AS A WHOLE WITHOUT THE WRITTEN PERMISSION OF HARDWARE RESOURCES INC. IS PROHIBITED.</p>	<p>TOLERANCE UNLESS OTHERWISE SPECIFIED:</p> <p>X ±0.20</p> <p>X.X ±0.10</p> <p>X.XX ±0.05</p> <p>ANGULAR: ±0.5°</p>		UNITS:	DRAWN BY:	DATE:
	DO NOT SCALE DRAWING		SIZE:	APPROVED BY:	DATE:
			SHEET:	RELEASE LEVEL:	REVISION:
			<p>PROJECTION </p>		9
		<p><i>Hugo.cai</i></p>		<p>May-04-20</p>	