

Features

- Bask® heated surface creates spa-like relaxation with soothing warmth on your back, shoulders, and neck
- Three heat settings allow you to customize the surface temperature
- Freestanding design creates a striking focal point in your bathing area
- 16" (406 mm) depth offers a deep soaking experience
- Integral lumbar support
- Textured bottom surface
- Wide ledge on one side is ideal for deck-mount faucet and/or handshower
- Fluted shroud

Material

- Acrylic

Installation

- Center drain
- Freestanding
- PureFlo drains are not recommended for a deck-mount faucet installation

Required Products/Accessories

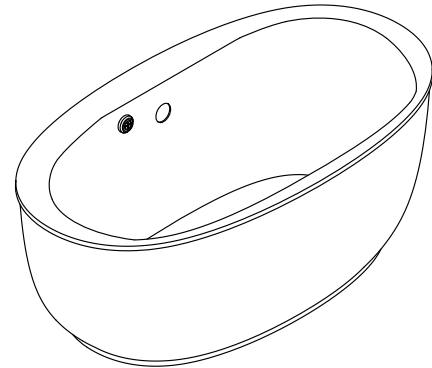
K-T37391 Rotary-turn bath drain trim
K-T37392 Rotary-turn bath drain trim

or

K-37383 Rough-in cable bath drain, PVC, 30" cable with tubing
K-78438 30" cable bath drain

Recommended Products/Accessories

K-7265 Brass toe tap bath drain
K-23726 Drain treatment



Codes/Standards

CSA B45.5/IAPMO Z124
UL 1795
CSA C22.2 No. 218.2
cUL Listed
UL Listed

KOHLER® Hydrotherapy Components Five-Year Limited Warranty

See website for detailed warranty information.

Available Colors/Finishes

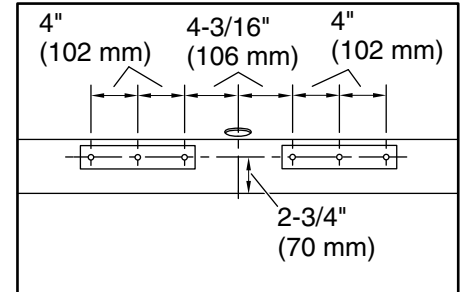
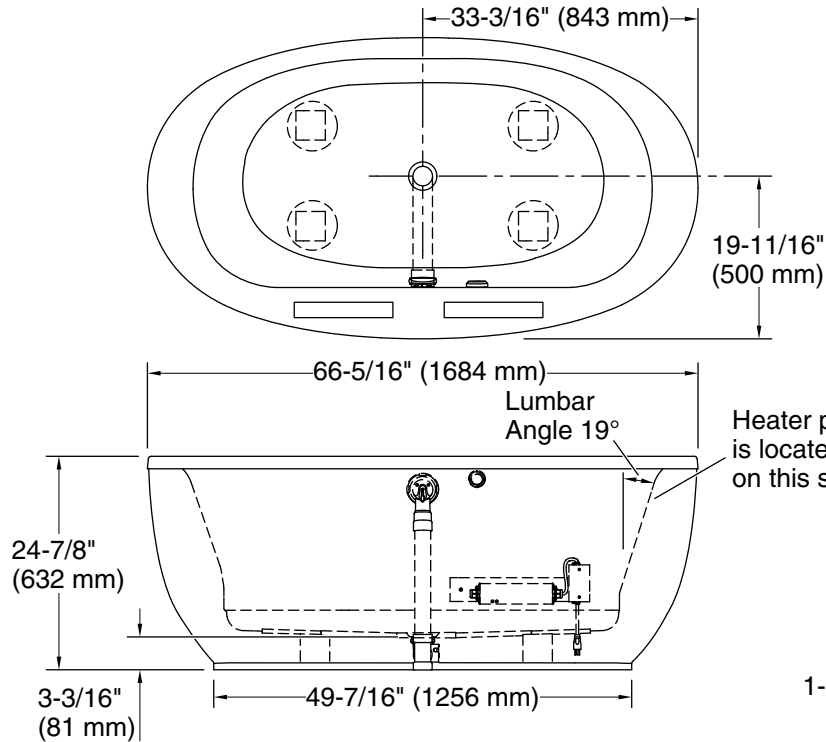
Color tiles intended for reference only.

Color	Code	Description
-------	------	-------------

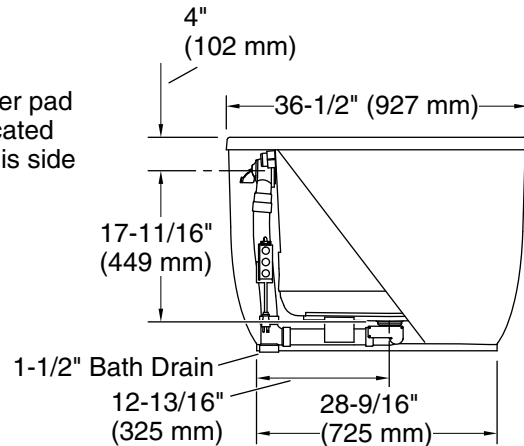
	0	White
---	---	-------

No change in measurements if connected with drain illustrated. (K-37383)

☐ Recommended Faucet Location



Recommended Faucet Hole Location



Required Electrical Service

One circuit required, protected with Class A Ground-Fault Circuit-Interrupter (GFCI). Outside North America, this device may be known as a Residual Current Device (RCD).

Heated Surface: 120 V, 15 A, 60 Hz

Technical Information

All product dimensions are nominal.

- Drain location: Center
- Basin area, bottom: 45-3/4" x 24-7/8" (1162 mm x 632 mm)
- Basin area, top: 54-7/8" x 29-3/16" (1394 mm x 741 mm)
- Weight: 110 lbs (49.9 kg)
- Minimum floor load: 40.4 lbs/ft² (197.3 kg/m²)
- Water depth: 15-3/4" (400 mm)
- Water capacity: 72.6 gal (274.8 L)
- Template: Footprint, 1245667, not required, not included
- Electrical component rating: Heated Surface: 120 V, 1.1 A, 50/60 Hz, 65 W

Notes

Measure your actual product for rough-in details.

Install this product according to the installation instructions.

The hot water supply should be 70% of the capacity of the bath or greater. Installations will vary.

If installing a rim-mount faucet, make sure there is no interference above or below the deck before drilling any holes.