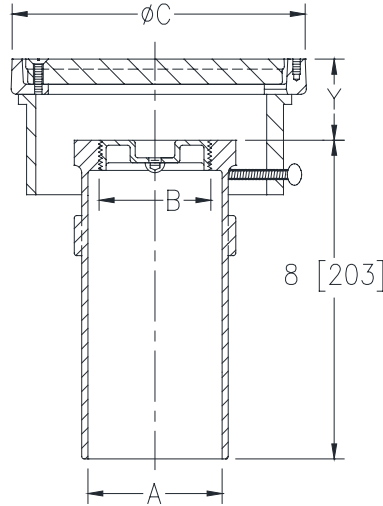




Z1406

HEAVY-DUTY SPIGOT CLEANOUT ADJUSTABLE

Design and Dimensional Data (inches and [mm]) are Subject to Manufacturing Tolerances and Change Without Notice



Dimensions In Inches[mm]			'Y'		Approx.Wt. Lbs. [kg]
A-Pipe Size	B N.P.T	C	Min.	Max.	
4 [102]	3-1/2	7-1/4 [184]	7/8	2	15[7]
6 [152]	3-1/2	9-1/4 [235]	[22]	[51]	23[10]

ENGINEERING SPECIFICATION: ZURN Z1406

Adjustable floor cleanout with spigot connection for caulking into Hub. Dura-Coated cast iron body with gas and watertight ABS plug and cast iron housing with round, scoriated, secured cast iron heavy-duty cover adjustable to finished floor..

OPTIONS (Check/specify appropriate options)

PIPE SIZE

3,4,6 [76,102,152]

(Specify size/type) OUTLET

_____ SP Spigot

PREFIXES

- _____ Z Dura-Coated Cast Iron*
- _____ ZN D.C.C.I. Body with Polished Nickel Bronze Light-Duty Top (Deduct 1/2 [13] from 'Y' Dim.)
- _____ ZS D.C.C.I. Body with Polished Stainless Steel Heavy-Duty Top (Add 3/16 [5] to 'Y' Dim.)

SUFFIXES

- _____ -AR Acid Resisting Epoxy Coated Finish
- _____ -BP Bronze Plug
- _____ -CF Carpet Flange (ZN only)
- _____ -CM Carpet Marker
- _____ -DC Duresist Cover
- _____ -DX Round ZN Top with Dex-o-Tex Flange (3,4 [76,102] Sizes Only)
- _____ -G Galvanized Cast Iron
- _____ -HD Heavy-Duty Veneer Top (Add 1/8 [3] to 'Y' Dim. for ZN only)
- _____ -SG Solid Gasketed Cover
- _____ -SM Special Marking Stamped on Top
- _____ -T Square Top
- _____ -TX Square Top Recessed for 1/8 [3] Tile (ZN only)
- _____ -VP Vandal-Proof Screws
- _____ -X Round Top Recessed for 1/8 [3] Tile (ZN only)

* Regularly furnished unless otherwise specified

⚠ WARNING: Cancer and Reproductive Harm - www.P65Warnings.ca.gov

⚠ ADVERTENCIA: Cáncer y daño reproductivo - www.P65Warnings.ca.gov

⚠ AVERTISSEMENT: Cancer et effets néfastes sur la reproduction - www.P65Warnings.ca.gov

Zurn Industries, LLC | Specification Drainage Operation
1801 Pittsburgh Avenue, Erie, PA 16502, Ph. 855.663.9876

In Canada | Zurn Industries Limited
7900 Goreway Drive, Unit 10, Brampton, Ontario L6T 5W6, Ph. 877.892.5216

www.zurn.com

Rev.	H
Date:	03/19/24
C.N. No.	145935
Prod. Dwg. No.	Z1406