



MANUFACTURED BY:
Backyard Discovery
 3305 Airport Drive, Pittsburg, KS 66762
 800-856-4445

Basepoint Business Centre: Rivermead Drive, Westlea, Swindon SN5 7EX Phone: 0800-118-2476
 J.P. Coenstraat 7, The Bridge, The Hague, 2595 WP, Netherlands Phone: 0800-567-8990

LIGHTNING RIDGE

Swing Set Model # 2200159

The assembly manual must be retained since it contains important information



WARNING
Adult Assembly Required.
 Not suitable for children under 36 months due to small parts.
FOR DOMESTIC USE ONLY. INTENDED FOR OUTDOOR USE.



Please visit www.backyarddiscovery.com

For the most up to date assembly manual, to register your set, or to order replacement parts
Para obtener instrucciones en español, visite www.backyarddiscovery.com



EASY STEP-BY-STEP
3D INTERACTIVE INSTRUCTIONS
 DOWNLOAD THE FREE APP



INSTALLATION SERVICES AVAILABLE!
See inside for details

Made in China
INS-2200159-A-LIGHTNING RIDGE-ENG 06/02/2022

Owner's Manual - Basic Setup Dimensions & Assembly Notes

Place the set on level ground, not less than 6'-7" [2 m] from any structure or obstruction such as a fence, garage, house, overhanging branches, laundry lines, or electrical wires.

- While assembling unit, take time before and after each phase to make sure fort is level. If fort is not level, assembly will be difficult and improper assembly may result. Extra care must be taken to insure the fort is square.
- The safe play area refers to a zone extending 6'-7" (2 m) beyond the play product on all sides, including the space above the play product.

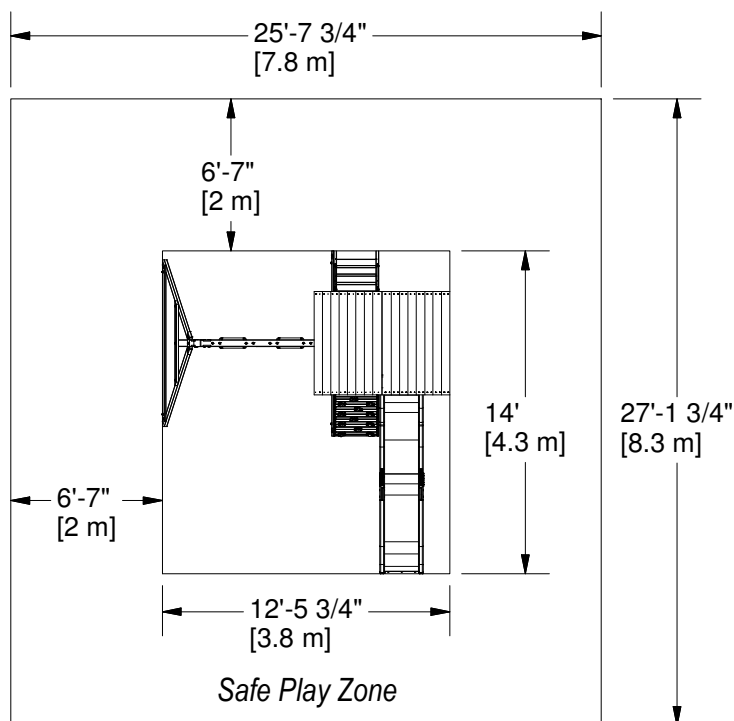
SAFE PLAY AREA DIAGRAM

Ground Dimensions

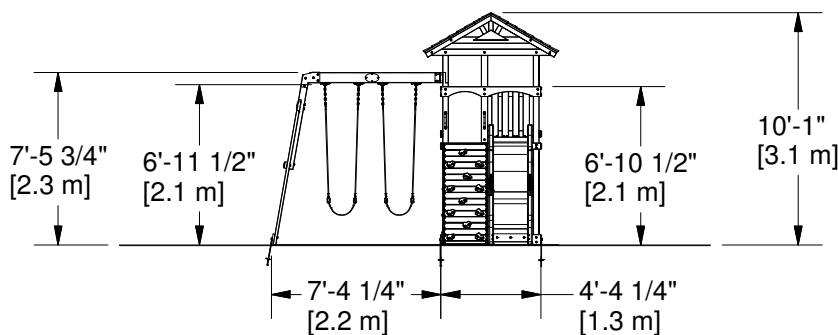
14' [4.3 m] x 12'-5 3/4" [3.8 m] x 10'-1" [3.1 m]

Safe Play Area

27'-1 3/4" [8.3 m] x 25'-7 3/4" [7.8 m] x 16'-8" [5.1 m]



SAFE PLAY HEIGHT: 16'-8" [5.1 m]
MAXIMUM FALL HEIGHT: 6'-11 1/2" [2.1 m]



General Information:

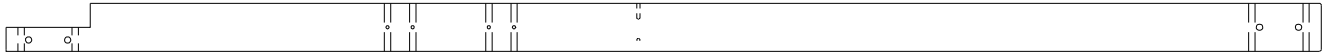
Your set has been designed and engineered for children only and for residential use only.
 A maximum of 150 lbs. per child is recommended for play activities designed for individual use.
 A maximum of 120 lbs. per child is recommended for play activities designed for multiple child use.
 A maximum of 9 children is recommended for this swing set.

Owner's Manual - Parts Identification

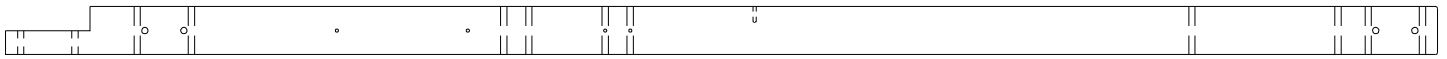
Wood Components (Not to Scale)



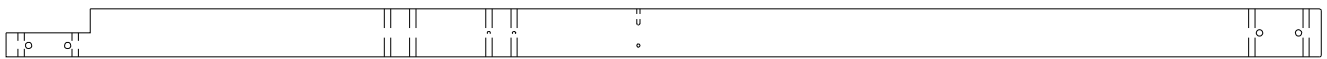
A74 SWING BEAM 2 POSITION - W4L16167
(x1) 3 3/8"x5 1/4"x68 3/4" (86x134x1745)



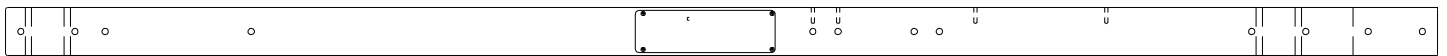
B01 UPRIGHT - W4L16121
(x1) 3"x3"x82 1/4" (76x76x2089)



B02 UPRIGHT - W4L16122
(x1) 3"x3"x89 1/2" (76x76x2274)



B03 UPRIGHT - W4L16126
(x1) 3"x3"x82 1/4" (76x76x2089)



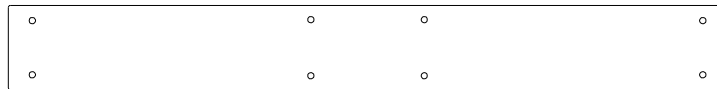
B04 UPRIGHT - W2A03406
(x1) 3"x3"x89 1/2" (76x76x2274)



B05 UPRIGHT - W4L16139
(x2) 3"x3"x24 3/4" (76x76x630)



B06 UPRIGHT - W4L16140
(x2) 3"x3"x17 1/2" (76x76x445)



D01 WALL RAIL - W4L16166
(x1) 1 3/8"x5 1/4"x44 7/8" (36x134x1141)



E01 FLOOR JOIST - W4L16130
(x2) 1 3/8"x2 3/4"x50 1/4" (36x70x1276)



E02 ANGLE BRACE - W4L16134
(x6) 1 3/8"x3 3/8"x14 3/8" (36x86x365)



E72 LEFT RAIL - W4L16157
(x1) 1 3/8"x3 3/8"x57 1/2" (36x86x1460)



E73 RIGHT RAIL - W4L16158
(x1) 1 3/8"x3 3/8"x57 1/2" (36x86x1460)



E77 LEFT UPRIGHT - W4L16152
(x1) 1 3/8"x3 3/8"x58" (36x86x1473)



E78 RIGHT UPRIGHT - W4L16153
(x1) 1 3/8"x3 3/8"x58" (36x86x1473)

Owner's Manual - Parts Identification

Wood Components (Not to Scale)



E79 END SUPPORT - W4L16170
(x1) 1 1/2"x3 1/2"x44" (36x86x1120)



E80 ANGLE BRACE - W4L16169
(x2) 1 3/8"x3 3/8"x87 1/8" (36x86x2212)



G01 GROUND RAIL - W4L16128
(x3) 1"x5 1/4"x44 7/8" (24x134x1141)



G02 GROUND RAIL - W4L16129
(x2) 1"x5 1/4"x51 1/8" (24x134x1300)



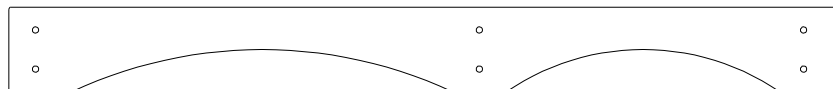
G03 GROUND RAIL - W4L16132
(x1) 1"x5 1/4"x71 3/8" (24x134x1814)



G04 CROSS BRACE - W4L16133
(x2) 1"x5 1/4"x64 5/8" (24x134x1642)



G05 WALL RAIL - W4L16143
(x1) 1"x5 1/4"x52 1/8" (24x134x1324)



G06 WALL RAIL - W4L16144
(x1) 1"x5 1/4"x52 1/8" (24x134x1324)



G07 GROUND RAIL - W4L16165
(x1) 1"x5 1/4"x32 3/4" (24x134x832)



G50 GROUND BOARD - W4L16171
(x1) 1"x5 1/4"x86 11/16" (24x134x2202)

Owner's Manual - Parts Identification

Wood Components (Not to Scale)



H01 FLOOR RAIL - W4L16124
(x1) 1"x3 3/8"x52 1/8" (24x86x1324)



H02 FLOOR RAIL - W4L16125
(x1) 1"x3 3/8"x44 7/8" (24x86x1141)



H03 FLOOR RAIL - W4L16127
(x1) 1"x3 3/8"x44 7/8" (24x86x1141)



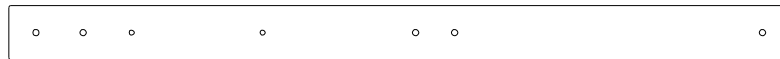
H04 FLOOR RAIL - W4L16135
(x1) 1"x3 3/8"x52 1/8" (24x86x1324)



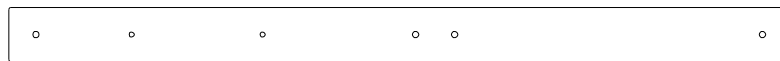
H05 WALL RAIL - W4L16137
(x2) 1"x3 3/8"x44 7/8" (24x86x1141)



H06 WALL RAIL - W4L16141
(x1) 1"x3 3/8"x31 1/8" (24x86x790)



H07 WALL UPRIGHT - W4L16138
(x1) 1"x3 3/8"x48 7/8" (24x86x1240)



H08 WALL UPRIGHT - W4L16142
(x1) 1"x3 3/8"x48 7/8" (24x86x1240)



H09 ROOF RAIL - W4L16145
(x2) 1"x3 3/8"x63 3/4" (24x86x1620)



H10 ROOF RAIL - W4L16147
(x4) 1"x3 3/8"x39 7/8" (24x86x1014)



H11 GABLE BOARD - W4L16148
(x2) 1"x3 3/8"x44 1/4" (24x86x1125)



H75 ATTACHMENT BOARD - W4L16159
(x1) 1"x3 3/8"x23 1/2" (24x86x596)



H76 LADDER RUNG - W4L16154
(x4) 1"x3 3/8"x21 3/8" (24x86x544)



H77 ATTACHMENT BOARD - W4L16155
(x1) 1"x3 3/8"x23 1/2" (24x86x596)



H80 SLIDE BRACE WIDE - W4L15715
(x1) 1"x3 3/8"x18 3/8" (24x86x466)



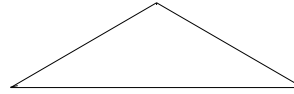
H83 SLIDE BRACE - W4L13333
(x2) 1"x3 3/8"x20 1/8" (24x86x512)

Owner's Manual - Parts Identification

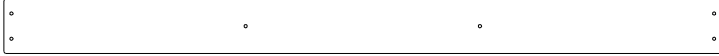
Wood Components (Not to Scale)



J01 FLOOR SUPPORT - W4L16136
(x4) 1"x2 3/8"x3" (24x60x76)



K01 TRIANGLE SUNBURST - W4L16149
(x2) 5/8"x5 1/4"x18 1/4" (16x134x464)



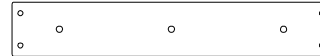
M01 FLOOR BOARD - W4L16120
(x1) 5/8"x3 3/8"x44 7/8" (16x86x1140)



M02 FLOOR BOARD - W4L16123
(x2) 5/8"x3"x38 7/8" (16x76x988)



M03 PICKET - W4L16146
(x16) 5/8"x3 3/8"x25 7/8" (16x86x657)



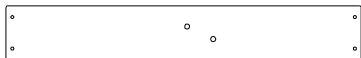
M70 SLIDE BED SUPPORT - W100935
(x1) 5/8"x3 3/8"x19 7/8" (16x86x505)



M73 REAR SUPPORT - W4L16156
(x1) 5/8"x3 3/8"x23 1/2" (16x86x596)



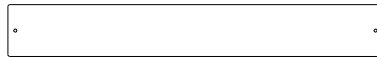
M74 ROCK WALL BOARD - W4L16161
(x8) 5/8"x3 3/8"x22 1/4" (16x86x564)



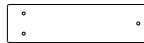
M75 ROCK WALL BOARD - W4L16162
(x4) 5/8"x3 3/8"x22 1/4" (16x86x564)



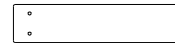
M76 ROCK WALL BOARD - W4L16163
(x4) 5/8"x3 3/8"x22 1/4" (16x86x564)



M108 TOP BOARD - W4L16160
(x1) 5/8"x3 1/4"x23 1/2" (16x82x596)



N01 FRONT PORCH GABLE TRIM - W4L16151
(x4) 5/8"x2 3/8"x8 5/8" (16x60x220)



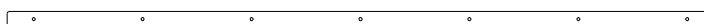
N02 FRONT PORCH GABLE TRIM - W4L16150
(x2) 5/8"x2 3/8"x10 7/8" (16x60x275)



N03 ROOF CLEAT - W4L16172
(x2) 5/8"x2 3/8"x37 3/8" (16x60x948)



N70 FILLER BOARD - W4L16164
(x1) 5/8"x1 3/4"x22 1/4" (16x45x564)



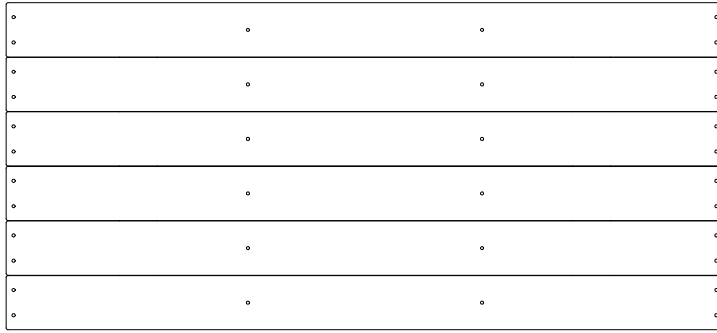
S01 FLOOR RAIL - W4L16131
(x2) 1"x1"x44 1/8" (24x24x1122)



SP71 SWING BEAM SUPPORT - W4L16168
(x1) 3 3/8"x3 3/8"x49 1/2" (86x86x1256)

Owner's Manual - Parts Identification

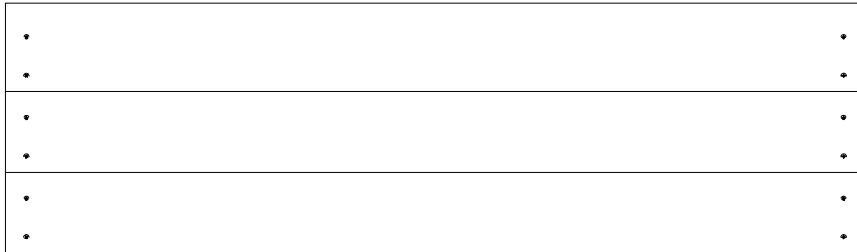
Wood Components (Not to Scale)



FP01 FLOOR PANEL - W2A03405
(x2) 1 1/4"x20 7/16"x44 7/8" (32x519x1140)



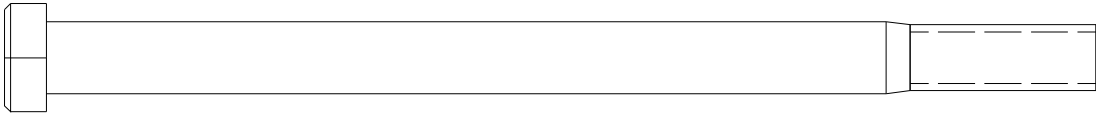
RP1 ROOF PANEL - W2A03407
(x2) 1 5/8"x10 3/8"x53 3/4" (42x264x1364)



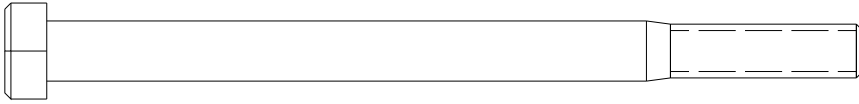
RP2 ROOF PANEL - W2A03408
(x4) 1 5/8"x15 5/8"x53 3/4" (42x396x1364)

Owner's Manual - Parts Identification

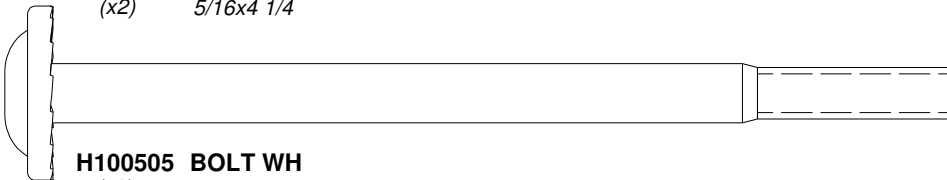
Hardware Components



H100654 BOLT HEX
(x9) 3/8x5-1/2



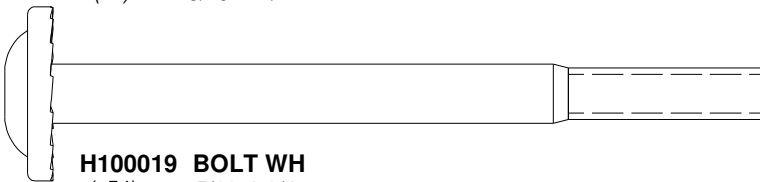
H100054 BOLT HEX
(x2) 5/16x4 1/4



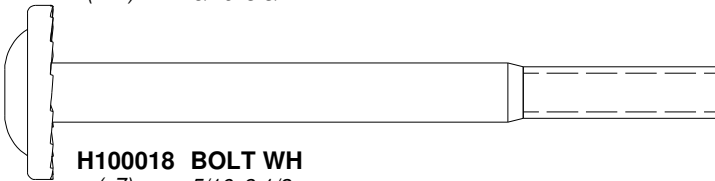
H100505 BOLT WH
(x2) 5/16x4 3/4



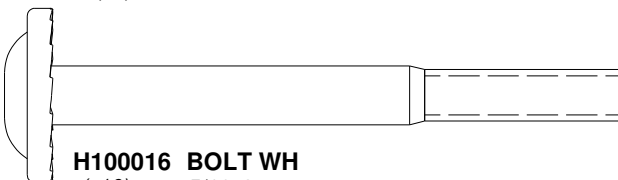
H100166 BOLT WH
(x4) 5/16x4-1/4



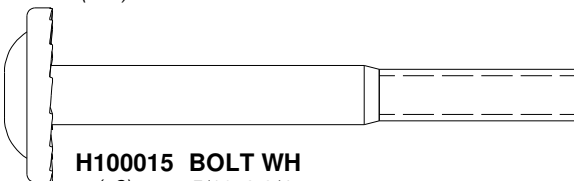
H100019 BOLT WH
(x54) 5/16x3 3/4



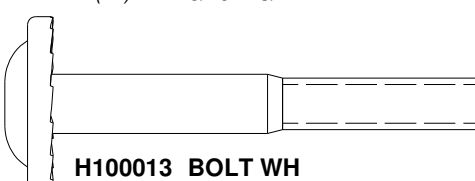
H100018 BOLT WH
(x7) 5/16x3 1/2



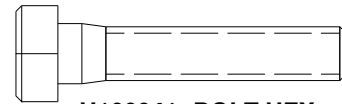
H100016 BOLT WH
(x10) 5/16x3



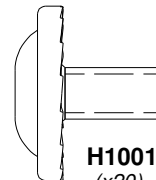
H100015 BOLT WH
(x2) 5/16x2 3/4



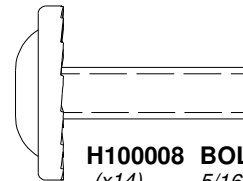
H100013 BOLT WH
(x15) 5/16x2 1/4



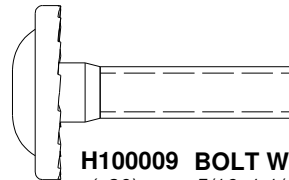
H100041 BOLT HEX
(x4) 5/16x1 1/2



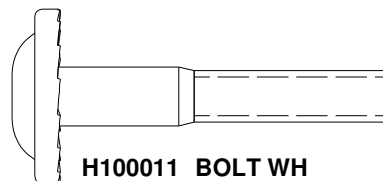
H100115 BOLT WH
(x20) 5/16x1/2



H100008 BOLT WH
(x14) 5/16x1



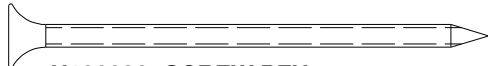
H100009 BOLT WH
(x20) 5/16x1 1/4



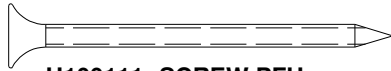
H100011 BOLT WH
(x29) 5/16x1 3/4

Owner's Manual - Parts Identification

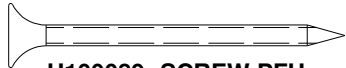
Hardware Components



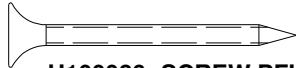
H100090 SCREW PFH
(x41) 8x2 1/2"



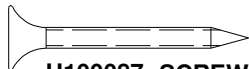
H100111 SCREW PFH
(x68) 8x2



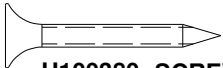
H100089 SCREW PFH
(x15) 8x1 3/4



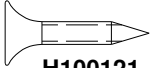
H100086 SCREW PFH
(x78) 8x1 1/2



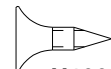
H100087 SCREW PFH
(x158) 8x1 1/4



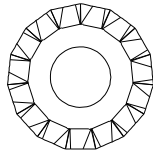
H100380 SCREW PFH BLK
(x37) 8x1 1/8



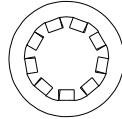
H100121 SCREW PFH
(x7) 8x3/4



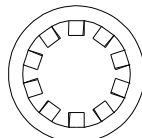
H100124 SCREW PFH
(x4) 8 x 1/2



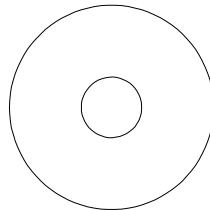
H100030 WASHER LOCK EXT
(x116) 8x19



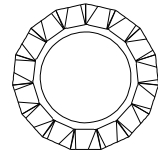
H100108 WASHER LOCK INT
(x26) 8x15



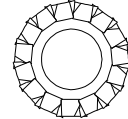
H100107 WASHER LOCK INT
(x9) 10x18



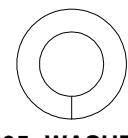
H100105 WASHER FLAT
(x9) 8x27



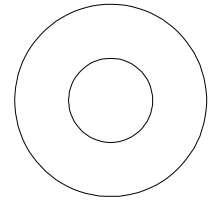
H100031 WASHER LOCK EXT
(x2) 12x19



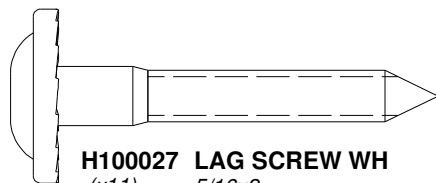
H100138 WASHER LOCK EXT
(x15) 6x15



H100095 WASHER SPLIT
(x4) 5/16



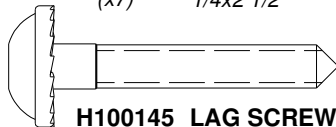
H100102 WASHER FLAT
(x9) 11x25



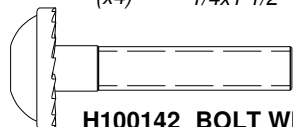
H100027 LAG SCREW WH
(x11) 5/16x2



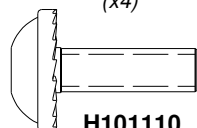
H100649 LAG SCREW WH
(x7) 1/4x2 1/2



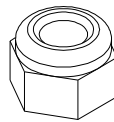
H100145 LAG SCREW WH
(x4) 1/4x1 1/2



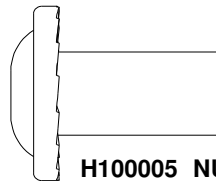
H100142 BOLT WH
(x4) 1/4x1-1/4



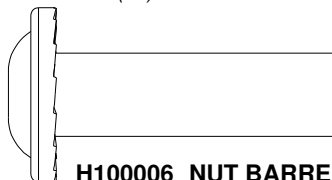
H101110 BOLT WH
(x26) 1/4x3/4



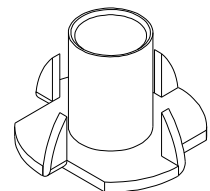
H100110 NUT LOCK
(x2) 5/16



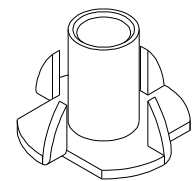
H100005 NUT BARREL WH
(x8) 5/16x7/8



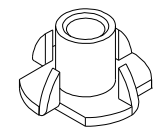
H100006 NUT BARREL WH
(x9) 5/16x1 1/2



H100073 T-NUT
(x9) 3/8



H100074 T-NUT
(x148) 5/16



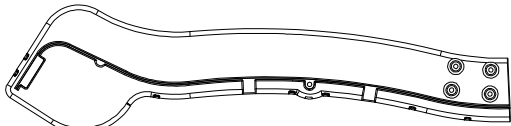
H100072 T-NUT
(x30) 1/4

Owner's Manual - Parts Identification

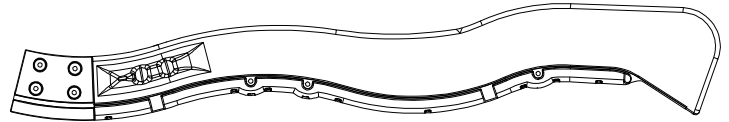
Accessory Components (Not to Scale)



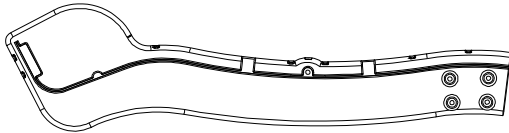
A6P00385 SLIDE BED 10'
(x1) DARK GREEN



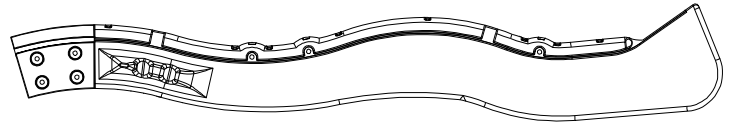
A6P00483 SLIDE RAIL 10'
(x1) BOTTOM LEFT GREEN



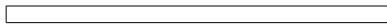
A6P00485 SLIDE RAIL 10'
(x1) TOP LEFT GREEN



A6P00484 SLIDE RAIL 10'
(x1) BOTTOM RIGHT GREEN



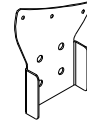
A6P00486 SLIDE RAIL 10'
(x1) TOP RIGHT GREEN



A6P00487 SLIDE TUBE SUPPORT
(x4)



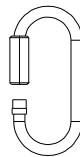
A4M01118 53" SLIDE BRACE (LEFT)
(x1)



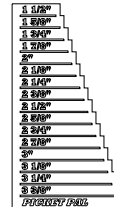
A4M01117 53" SLIDE BRACE (RIGHT)
(x1)



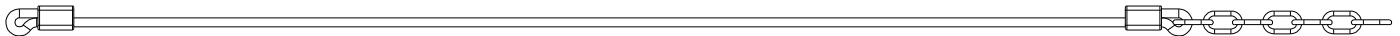
A100164 BYD ID TAG (LARGE) AGES 3-10
(x1)



A100069 QUICK LINK
(x4)



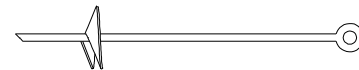
A6P00410 PICKET PAL
(x1)



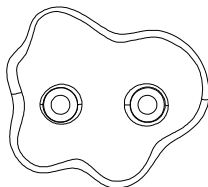
A100183 ROPE-CHAIN GREEN 57"
(x4)



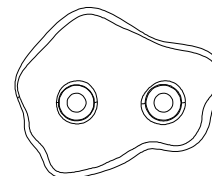
A6P00054 SWING SEAT GREEN 22"
(x2)



A100178 AUGER GROUND STAKE
(x6)



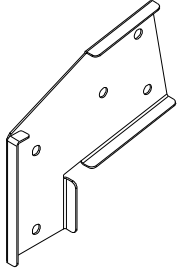
A6P00036 GREEN HC ROCK #1
(x6)



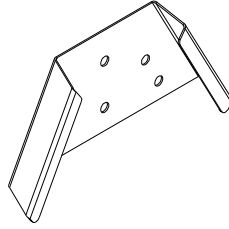
A6P00037 GREEN HC ROCK #2
(x6)

Owner's Manual - Parts Identification

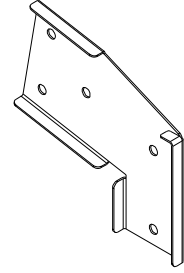
Accessory Components (Not to Scale)



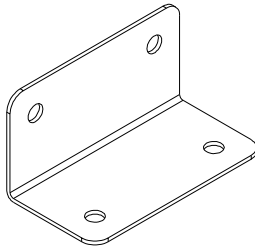
A100325 SWING BEAM
(x1) EXTENSION
BRACKET-LEFT



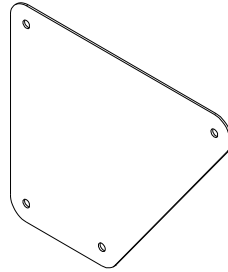
A4M01169 A-FRAME
(x1) BRACKET



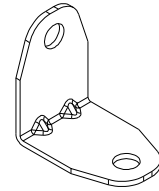
A100326 SWING BEAM
(x1) EXTENSION
BRACKET-RIGHT



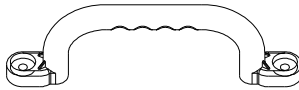
A100140 L BRACKET
(x2) 66x66x127



A4M01595 ANGLE BRACE
(x2) BLK



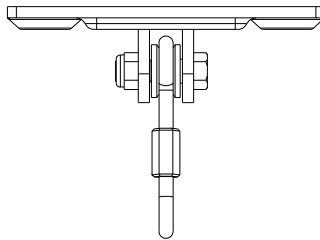
A4M01046 L BRACKET
(x2) 2.5x38x55x55



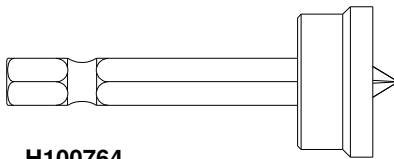
A100028 HAND GRIP
(x4) GREEN PLASTIC



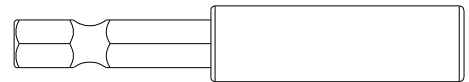
A100134 HAND GRIP
(x2) GREEN 816 C/C



A4M00505 SWING HANGER
(x4)



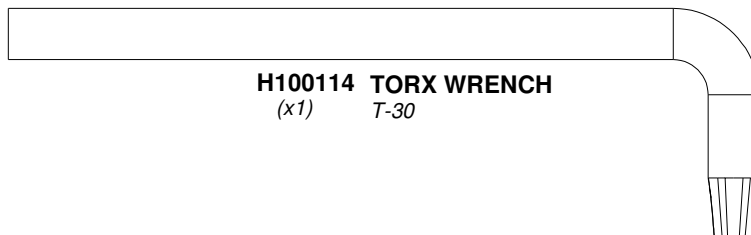
H100764 SCREW SETTER
(x1)



H101100 MAGNETIC DRIVER
(x1)



H100147 TORX BIT
(x1) T-30



H100114 TORX WRENCH
(x1) T-30

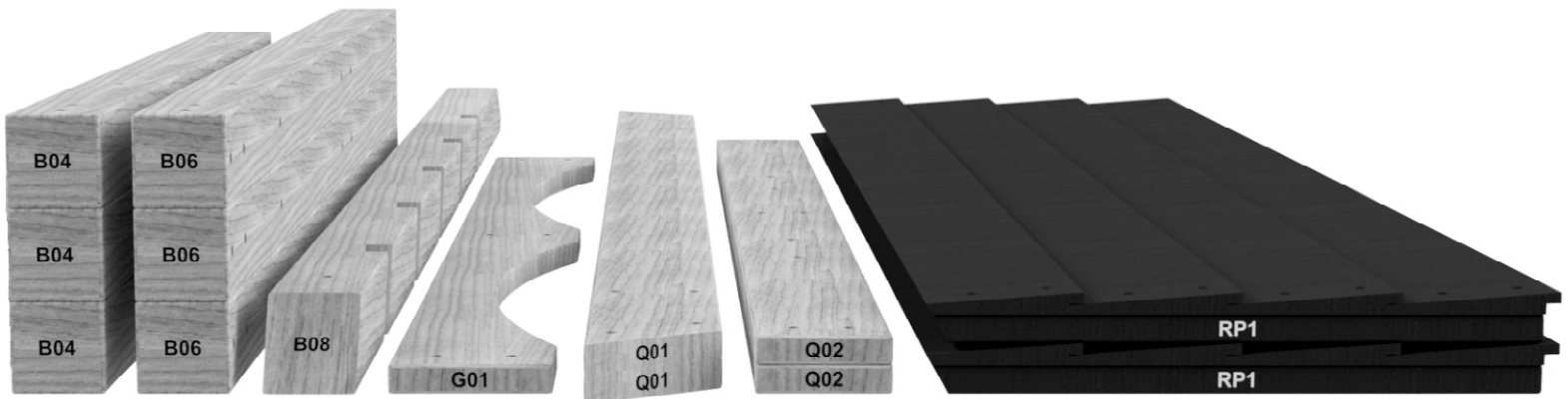
PRE-ASSEMBLY STEP 1 - SORTING PARTS

It is critical for ease of assembly that you take the time to sort and organize the wood and hardware.

WOOD PARTS:

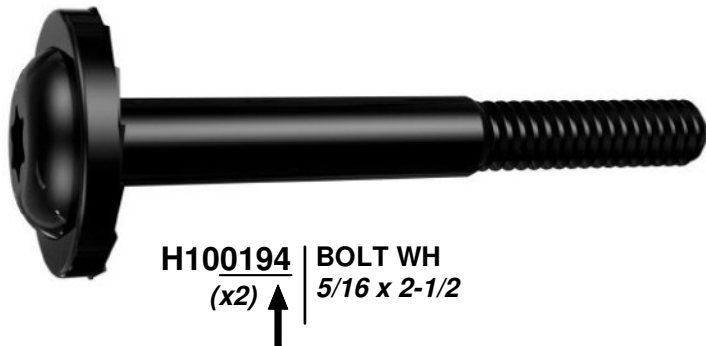
- Organize wood parts by the three-digit, alpha-numeric number stamped on each board (ex. P01).
- If there are multiple boards with the same stamped number, stack those pieces together.
- Stamps can be found on the flat surface of the boards or on the end of the boards.
- Allow yourself plenty of room - the wood pieces can take up a significant amount of space.

NOTE: CARTONS ARE NOT ORGANIZED BY BOARD NUMBER.



HARDWARE PARTS:

- We recommend that you have a separate table to organize the hardware.
- Hardware bags are printed with a seven-digit, alpha-numeric part number.
- You can organize your hardware by part number or group by hardware type (i.e. bolts, nuts, etc.).
- During assembly you only need to reference the last four digits of the number.



PRE-ASSEMBLY STEP 2 - TOOLS REQUIRED



**Cordless Drill or
Electric Drill**



**Drill Attachments:
Phillips Head**



**1/8", 3/16", 3/8" & 7/16"
Drill Bits**



Phillips Screw Driver



Open End Wrenches 1/2" & 9/16"



**3/8" Drive Ratchet, 1/2" &
9/16" STD Sockets 1/2" & 9/16" Deep
Sockets**



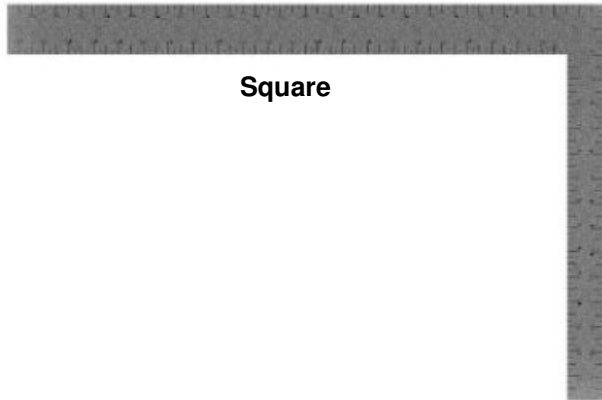
Claw Hammer



Rubber Mallet - Optional



Tape Measure



Square





Level 24"

PRE-ASSEMBLY STEP 3 - CHOOSE YOUR ASSEMBLY METHOD

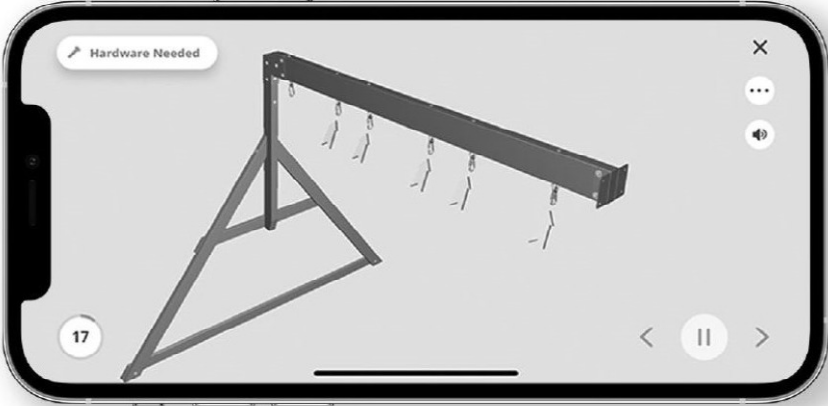


There are several types of assembly instructions available to you.

1. Printed Assembly Manual included with your set
2. BILT APP - 3D interactive instructions
3. Combination of the Printed Manual and BILT APP (Note: Step numbers can differ between the two methods)



Scan for easy 3D instructions

Download the BILT app
before you begin



The image shows a smartphone screen displaying the BILT app interface. The screen features a 3D assembly diagram of a metal frame with a horizontal beam and several hanging components. The interface includes a 'Hardware Needed' button at the top left, a close button (X) at the top right, a menu button (three dots) and a volume icon below it, and a bottom navigation bar with a page number '17', a back arrow, a pause button, and a forward arrow.

STEP 1 - LADDER

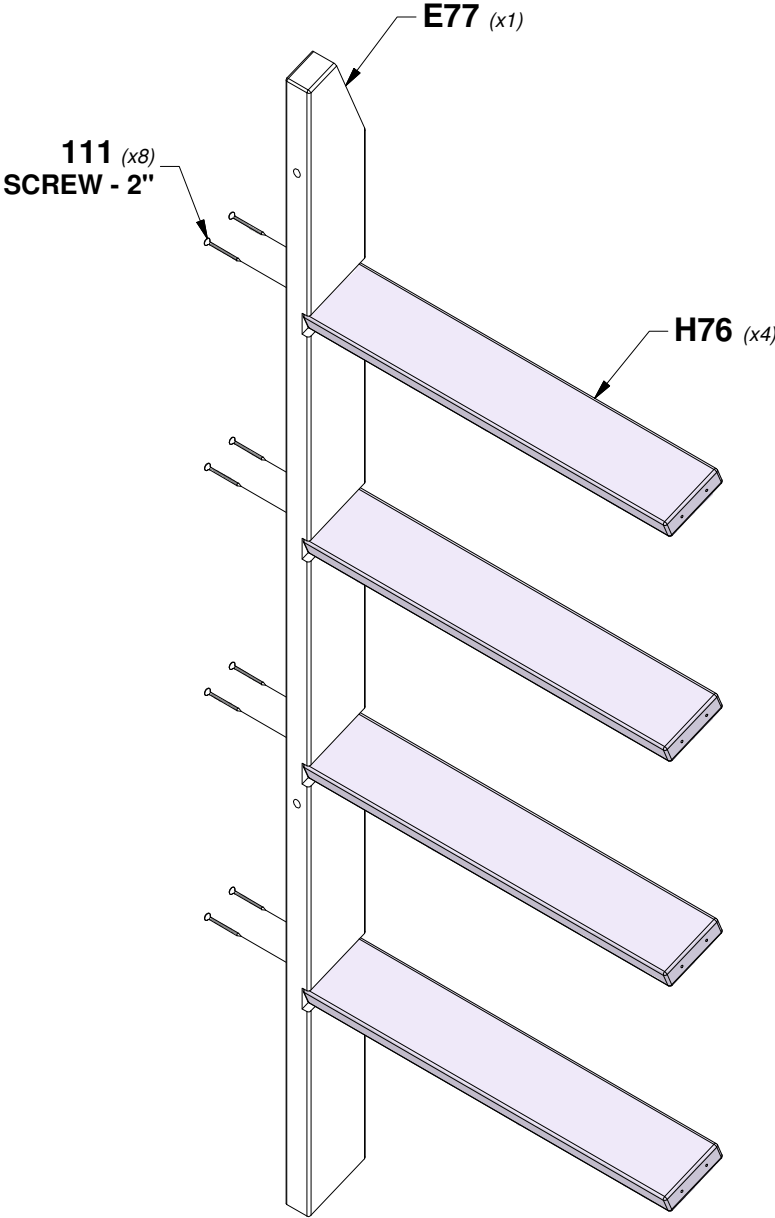
QTY	PART NUMBER	DESCRIPTION
8	H100111	SCREW PFH 8x2



E77 LEFT UPRIGHT - W4L16152
(x1) 1 3/8"x3 3/8"x58" (36x86x1473)

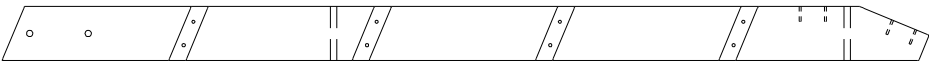


H76 LADDER RUNG - W4L16154
(x4) 1"x3 3/8"x21 3/8" (24x86x544)

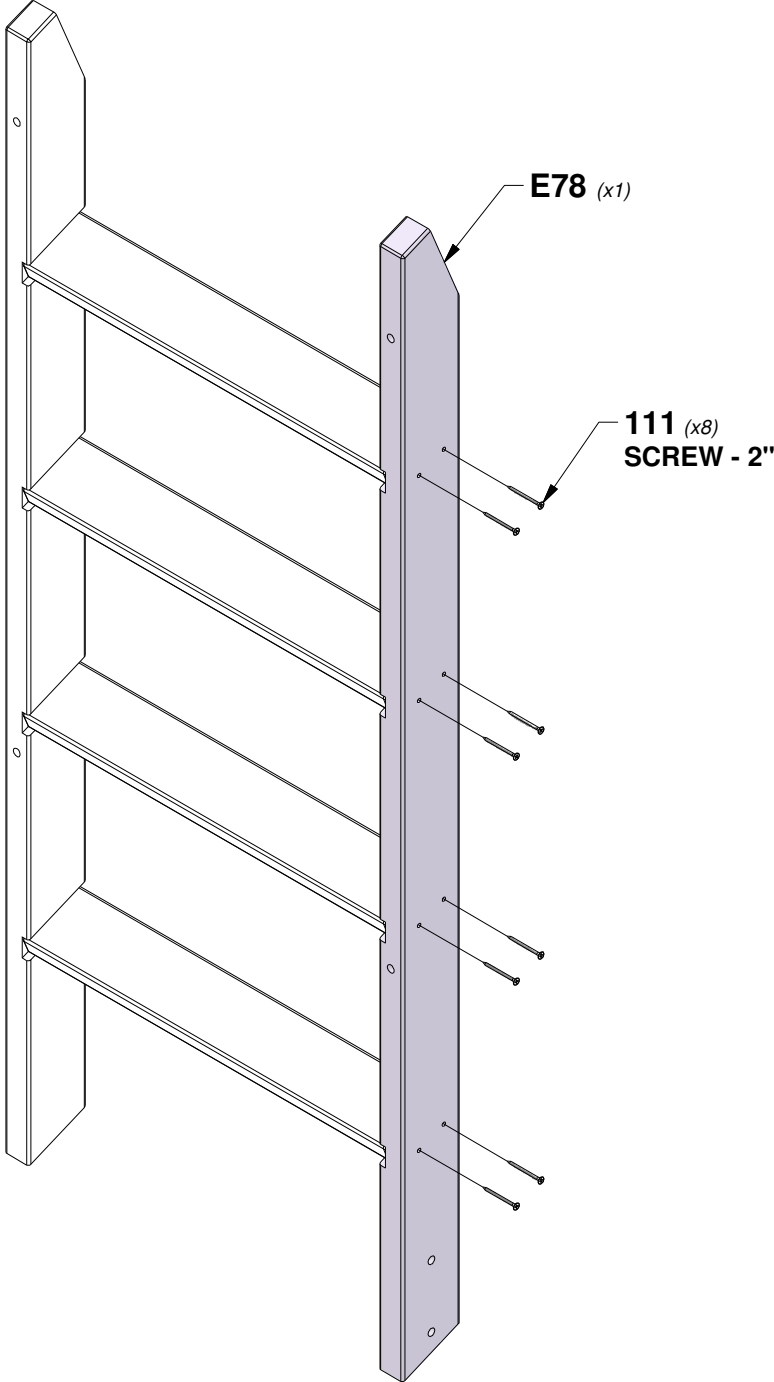


STEP 2 - LADDER

QTY	PART NUMBER	DESCRIPTION
8	H100111	SCREW PFH 8x2



E78 RIGHT UPRIGHT - W4L16153
(x1) 1 3/8"x3 3/8"x58" (36x86x1473)



STEP 3 - LADDER

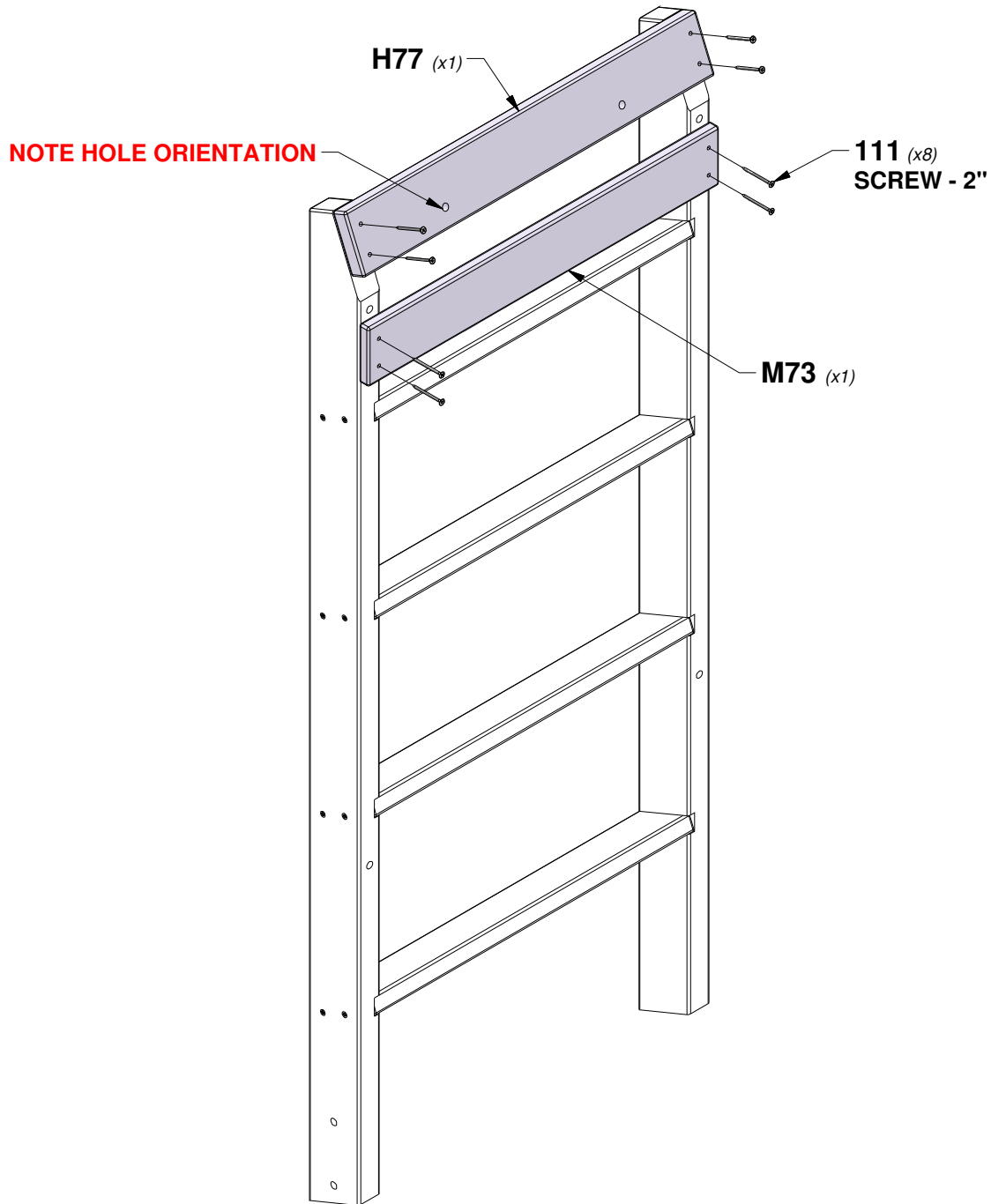
QTY	PART NUMBER	DESCRIPTION
8	H100111	SCREW PFH 8x2



H77 ATTACHMENT BOARD - W4L16155
(x1) 1"x3 3/8"x23 1/2" (24x86x596)



M73 REAR SUPPORT - W4L16156
(x1) 5/8"x3 3/8"x23 1/2" (16x86x596)

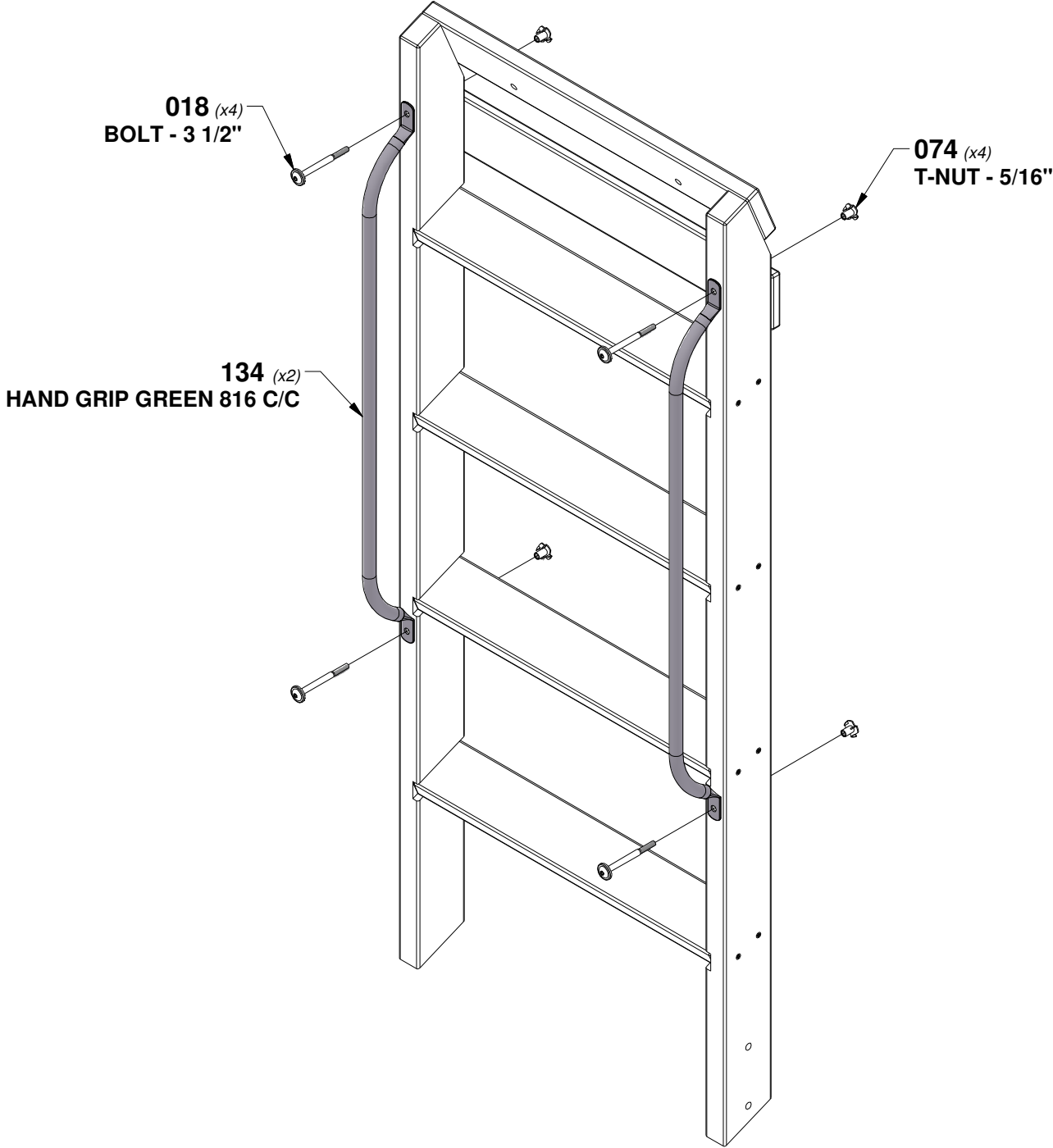


STEP 4 - LADDER

QTY	PART NUMBER	DESCRIPTION
4	H100018	BOLT WH 5/16x3 1/2
4	H100074	T-NUT 5/16

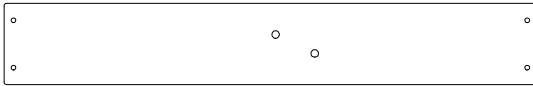


TIP:
INSTALL T-NUTS IN WOOD FIRST



STEP 1 - ROCK WALL

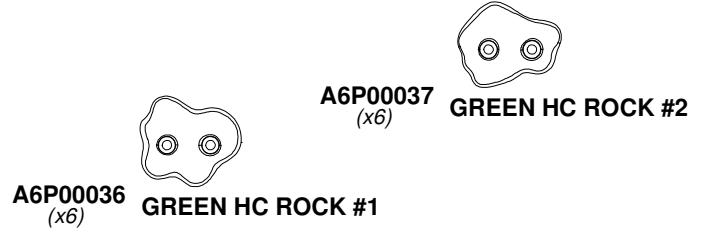
QTY	PART NUMBER	DESCRIPTION
24	H101110	BOLT WH 1/4x3/4
24	H100072	T-NUT 1/4
24	H100108	WASHER LOCK INT 8x15



M75 ROCK WALL BOARD - W4L16162
(x4) 5/8"x3 3/8"x22 1/4" (16x86x564)

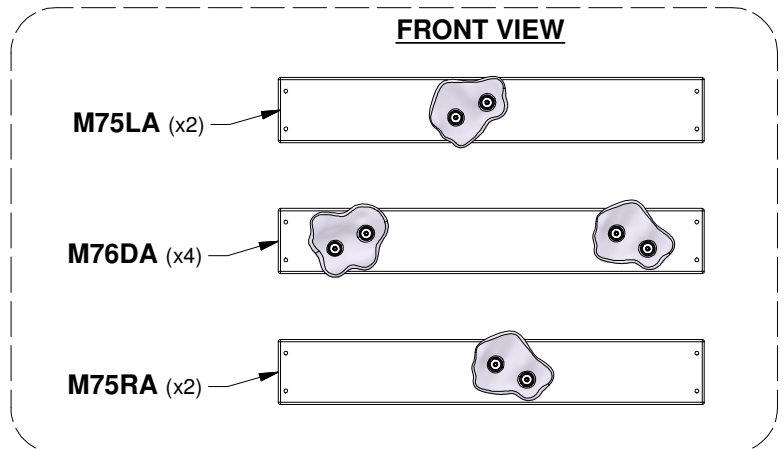
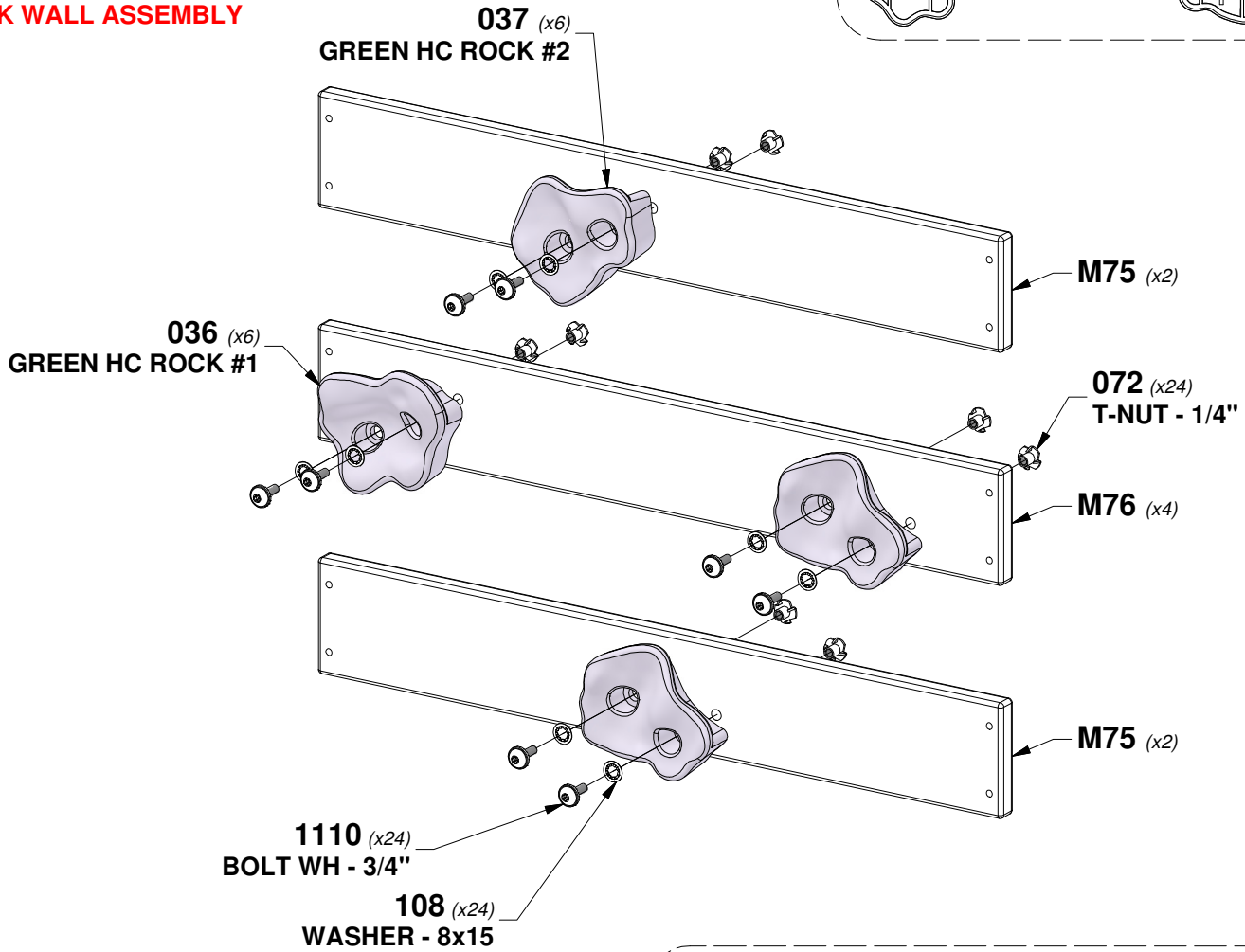
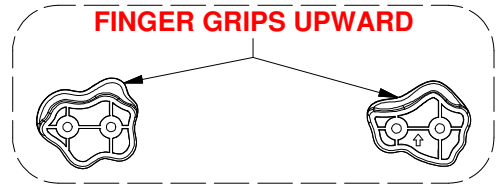


M76 ROCK WALL BOARD - W4L16163
(x4) 5/8"x3 3/8"x22 1/4" (16x86x564)



TIP:
INSTALL T-NUTS IN WOOD FIRST

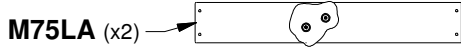
NOTE:
SEE NEXT PAGE FOR ENTIRE
ROCK WALL ASSEMBLY



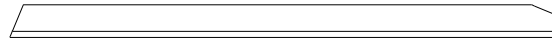
PLACE ROCKS RANDOMLY

STEP 2 - ROCK WALL

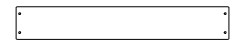
QTY	PART NUMBER	DESCRIPTION
66	H100086	SCREW PFH 8x1-1/2"



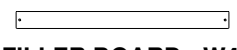
E72 LEFT RAIL - W4L16157
(x1) 1 3/8"x3 3/8"x57 1/2" (36x86x1460)



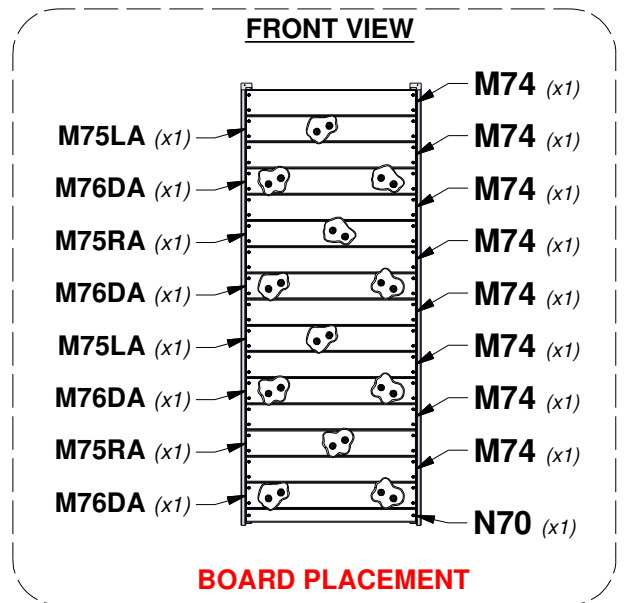
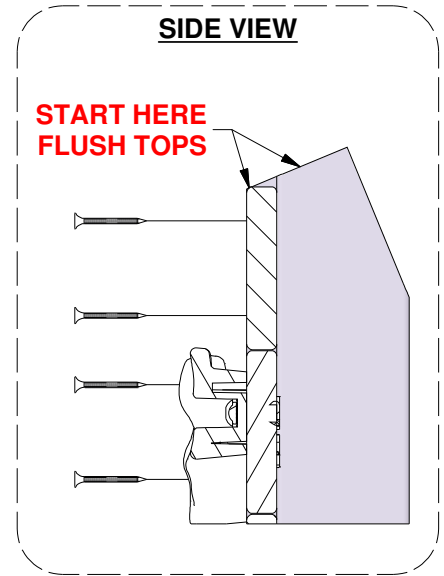
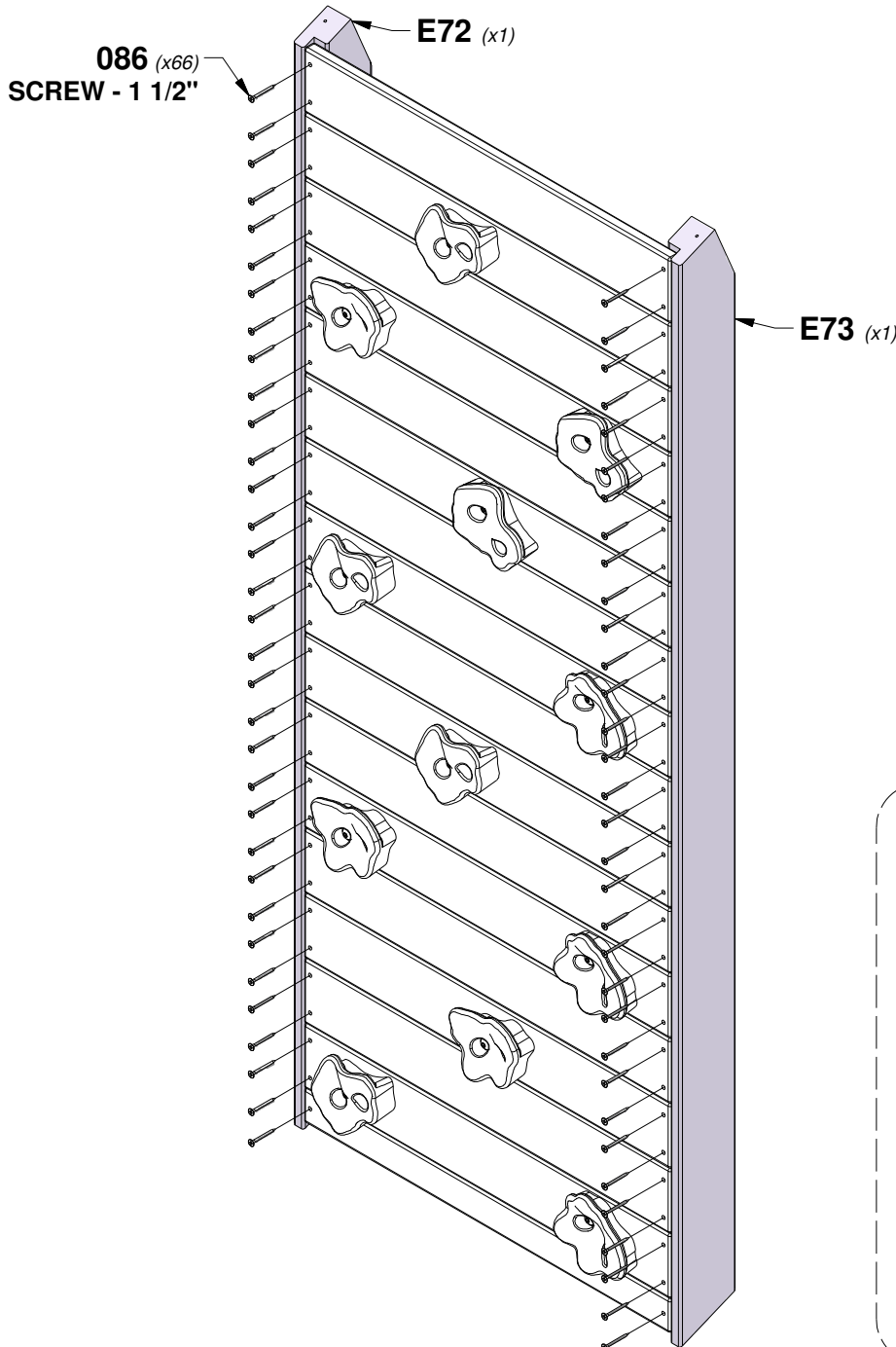
E73 RIGHT RAIL - W4L16158
(x1) 1 3/8"x3 3/8"x57 1/2" (36x86x1460)



M74 ROCK WALL BOARD - W4L16161
(x8) 5/8"x3 3/8"x22 1/4" (16x86x564)



N70 FILLER BOARD - W4L16164
(x1) 5/8"x1 3/4"x22 1/4" (16x45x564)

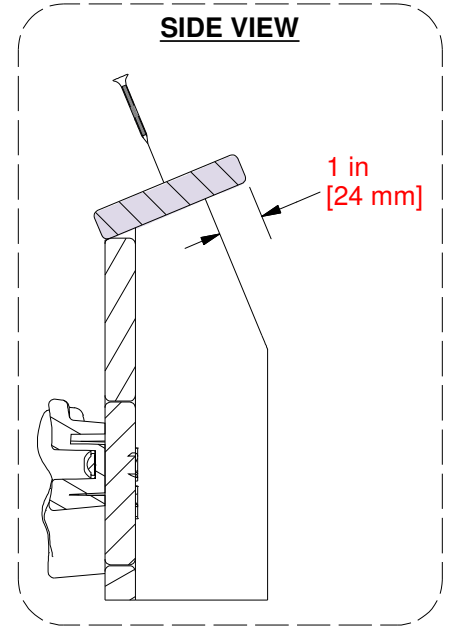
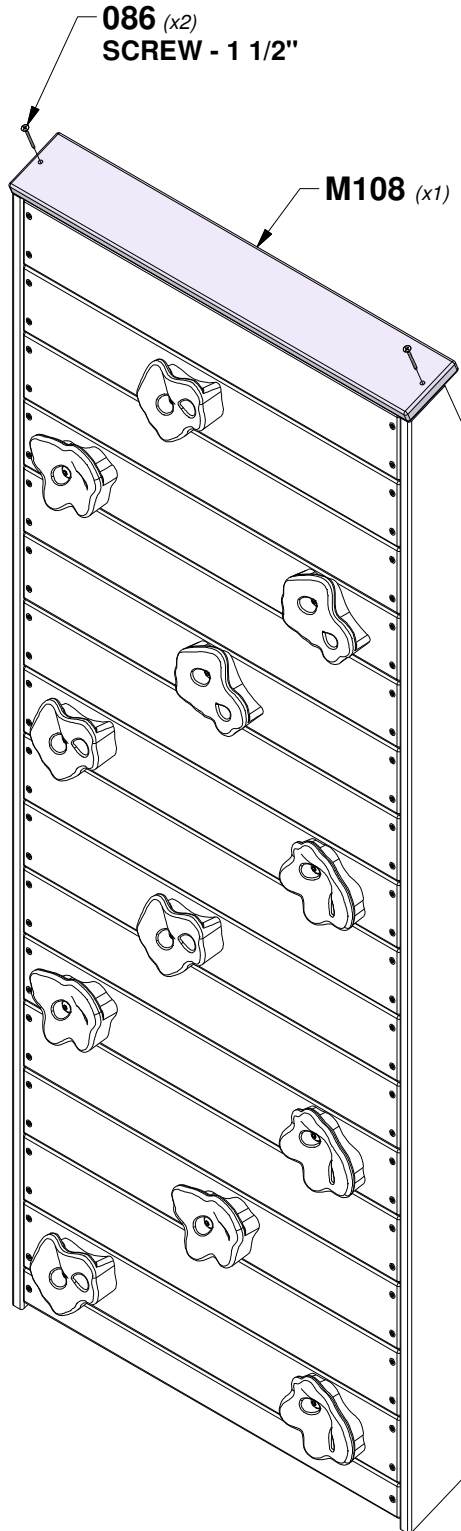


STEP 3 - ROCK WALL

QTY	PART NUMBER	DESCRIPTION
2	H100086	SCREW PFH 8x1-1/2"



M108 TOP BOARD - W4L16160
(x1) 5/8"x3 1/4"x23 1/2" (16x82x596)



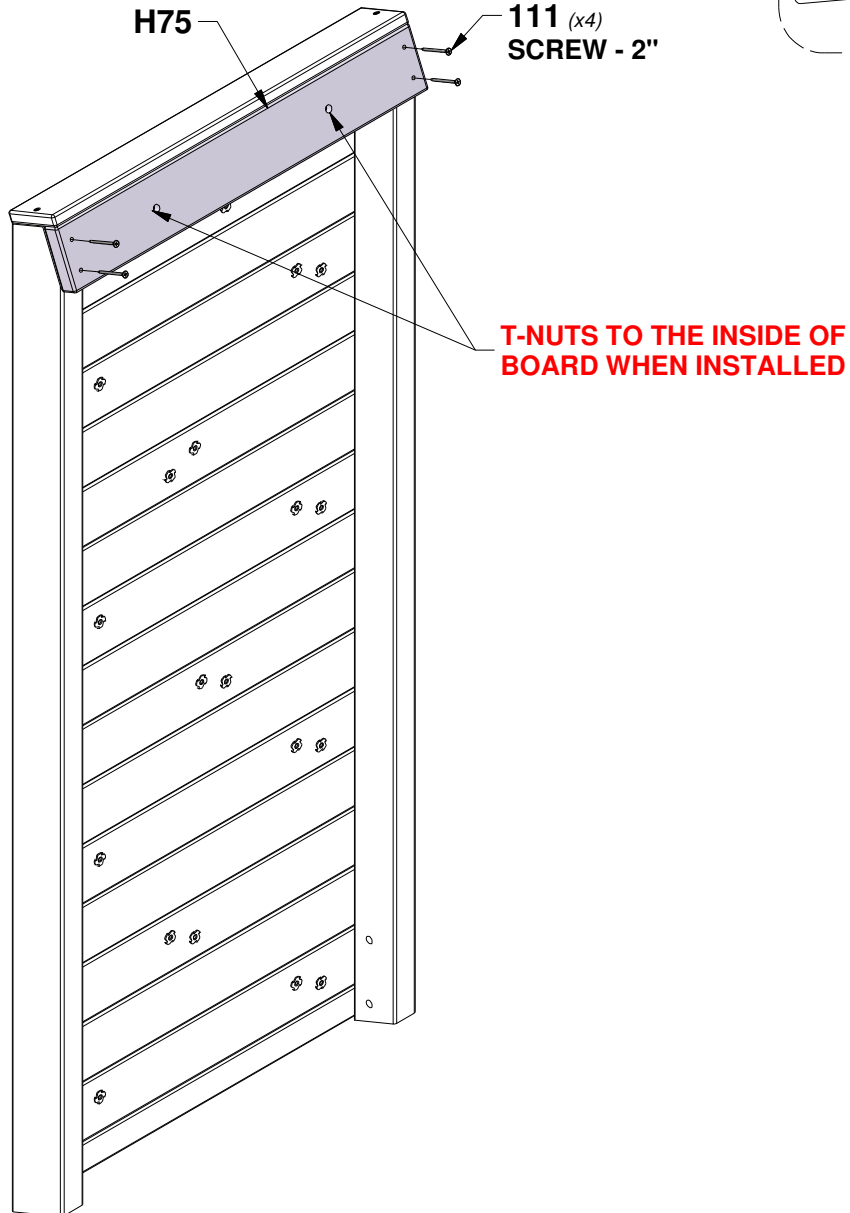
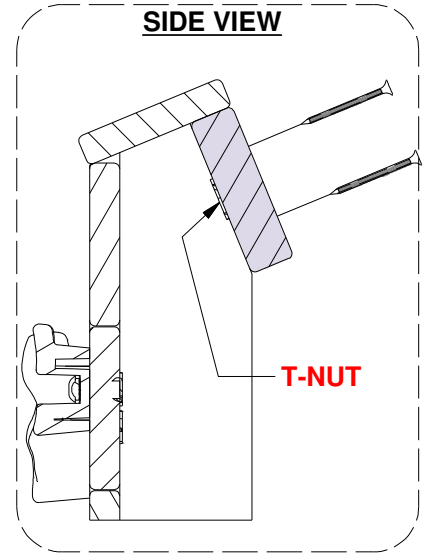
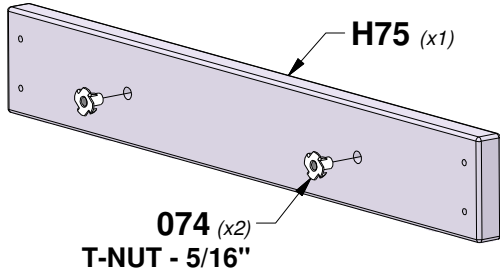
STEP 4 - ROCK WALL

QTY	PART NUMBER	DESCRIPTION
2	H100074	T-NUT 5/16"
4	H100111	SCREW PFH 8x2"



H75 ATTACHMENT BOARD - W4L16159
 (x1) 1"x3 3/8"x23 1/2" (24x86x596)

TIP:
INSTALL T-NUTS IN WOOD FIRST

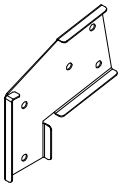


STEP 1 - SWING BEAM ASSEMBLY

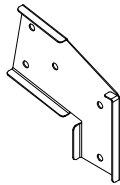
QTY	PART NUMBER	DESCRIPTION
3	H100005	NUT BARREL WH 5/16x7/8
3	H100016	BOLT WH 5/16x3
2	H100054	BOLT HEX 5/16x4 1/4
4	H100105	WASHER FLAT 8x27
2	H100110	NUT LOCK 5/16



A74 SWING BEAM 2 POSITION - W4L16167
(x1) 3 3/8"x5 1/4"x68 3/4" (86x134x1745)



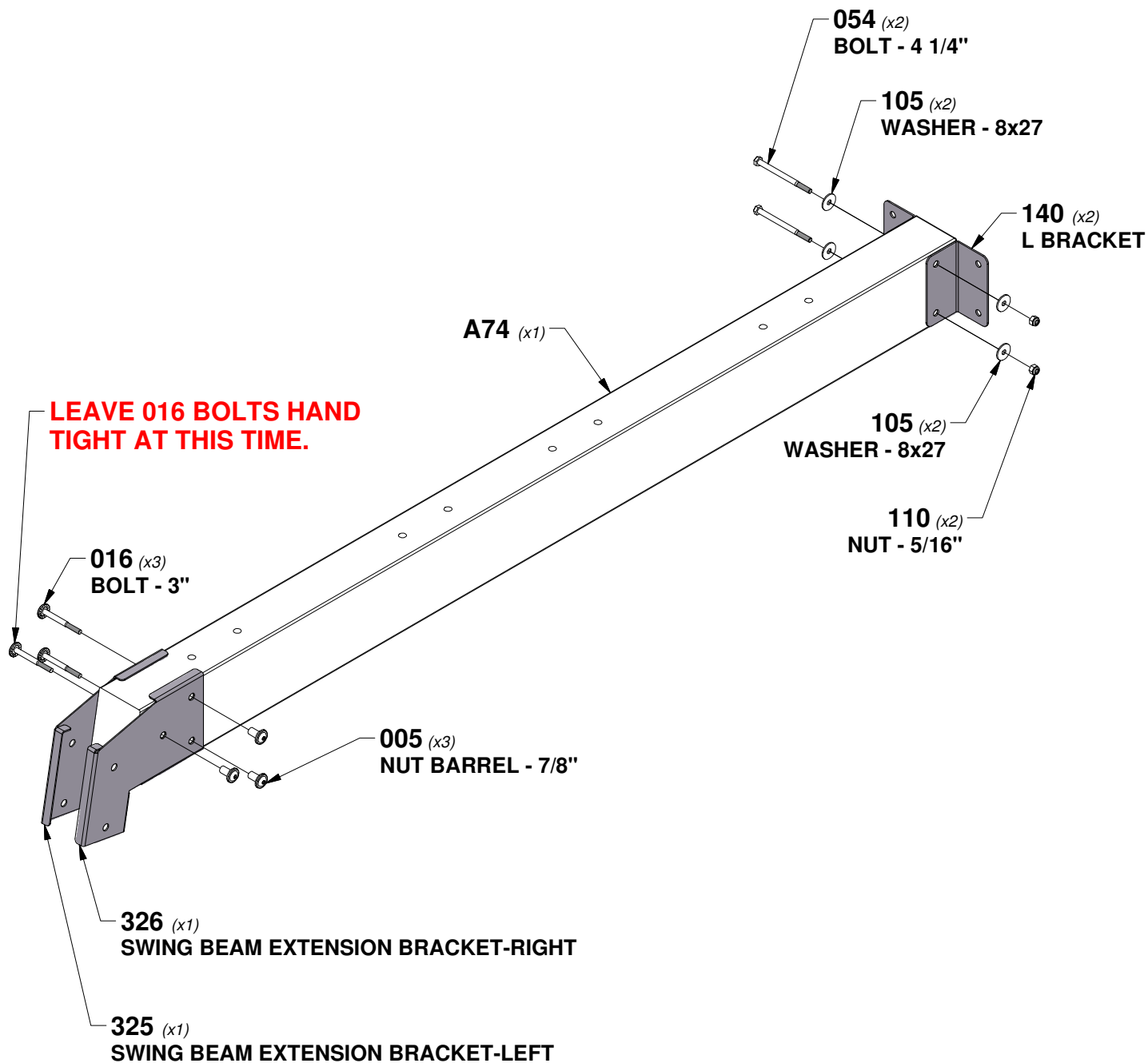
A100325 SWING BEAM EXTENSION BRACKET-LEFT
(x1)



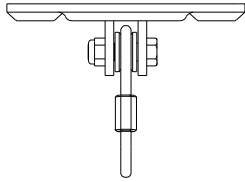
A100326 SWING BEAM EXTENSION BRACKET-RIGHT
(x1)



A100140 L BRACKET
(x2) 66x66x127



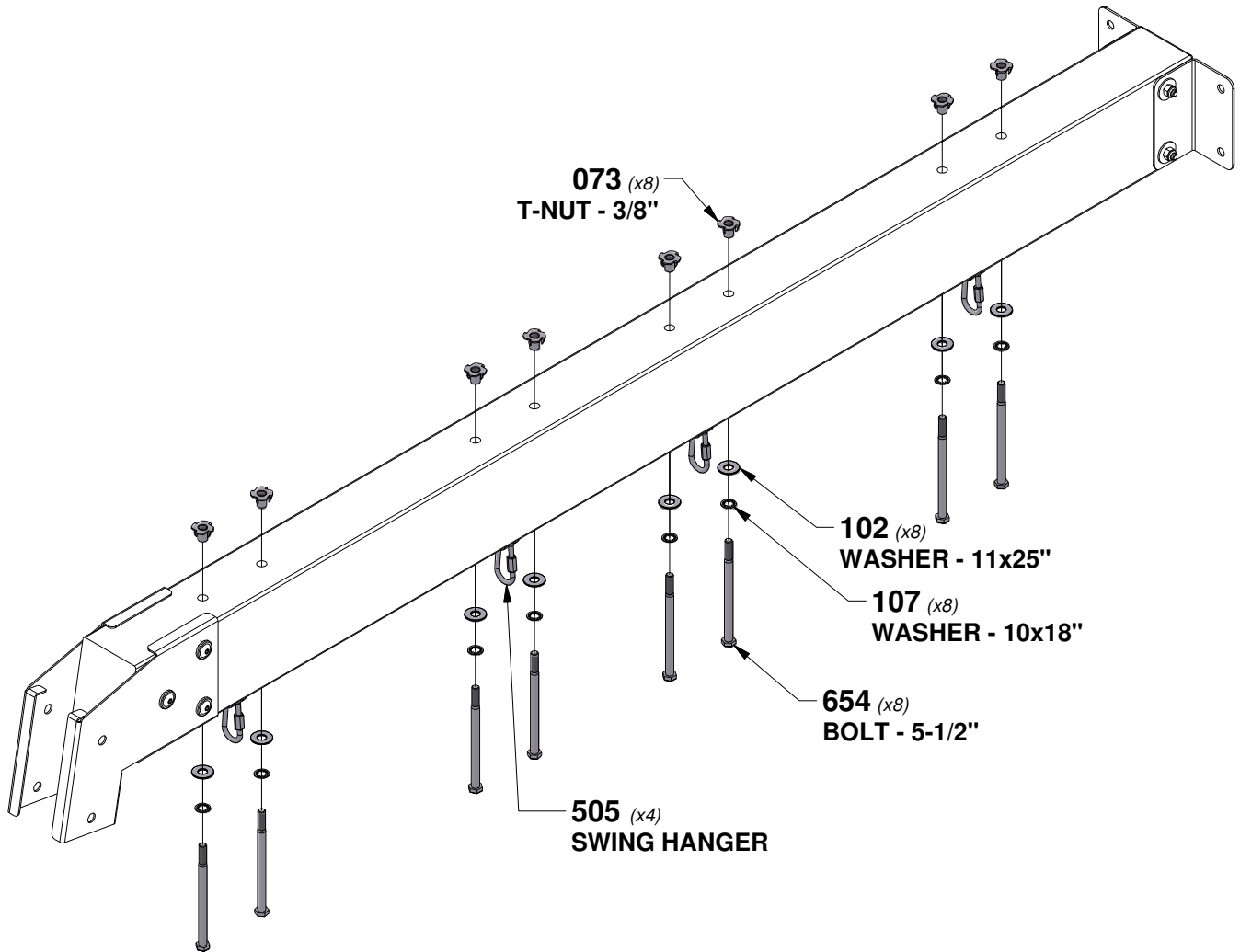
STEP 2 - SWING BEAM ASSEMBLY



**A4M00505-3 SWING HANGER
(x4) QUICK LINK**

QTY	PART NUMBER	DESCRIPTION
8	H100073	T-NUT 3/8
8	H100102	WASHER FLAT 11x25
8	H100107	WASHER LOCK INT 10x18
8	H100654	BOLT HEX 3/8x5-1/2

TIP:
INSTALL T-NUTS IN WOOD FIRST.

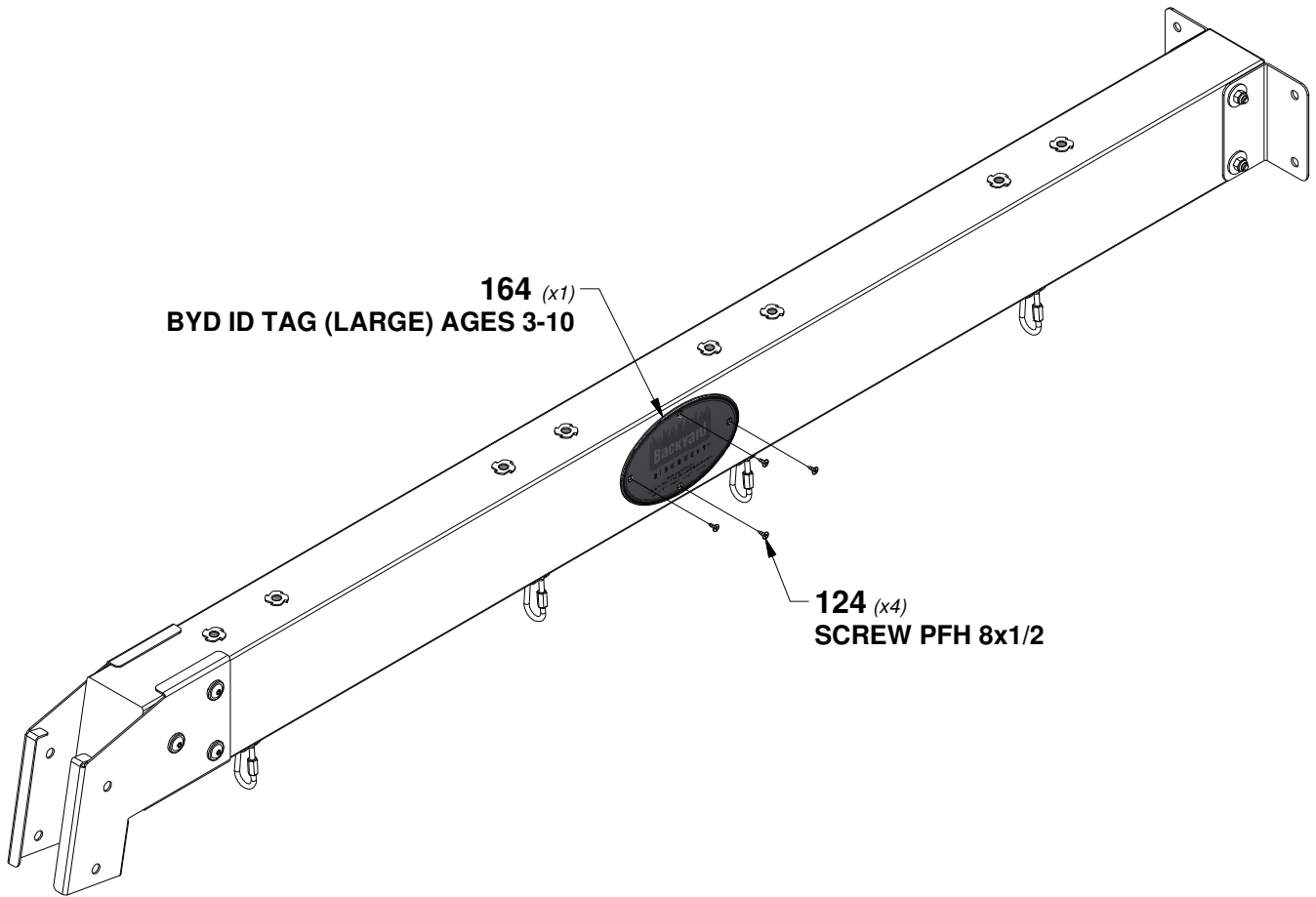


STEP 3 - SWING BEAM ASSEMBLY

QTY	PART NUMBER	DESCRIPTION
4	H100124	SCREW PFH 8x1/2



A100164 BYD ID TAG
(x1) (LARGE) AGES
3-10

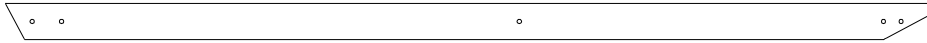


STEP 4 - SWING BEAM ASSEMBLY

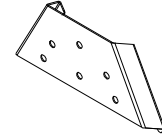
QTY	PART NUMBER	DESCRIPTION
4	H100009	BOLT WH 5/16x1 1/4
2	H100018	BOLT WH 5/16x3 1/2
6	H100074	T-NUT 5/16



SP71 SWING BEAM SUPPORT - W4L16168
 (x1) 3 3/8"x3 3/8"x49 1/2" (86x86x1256)

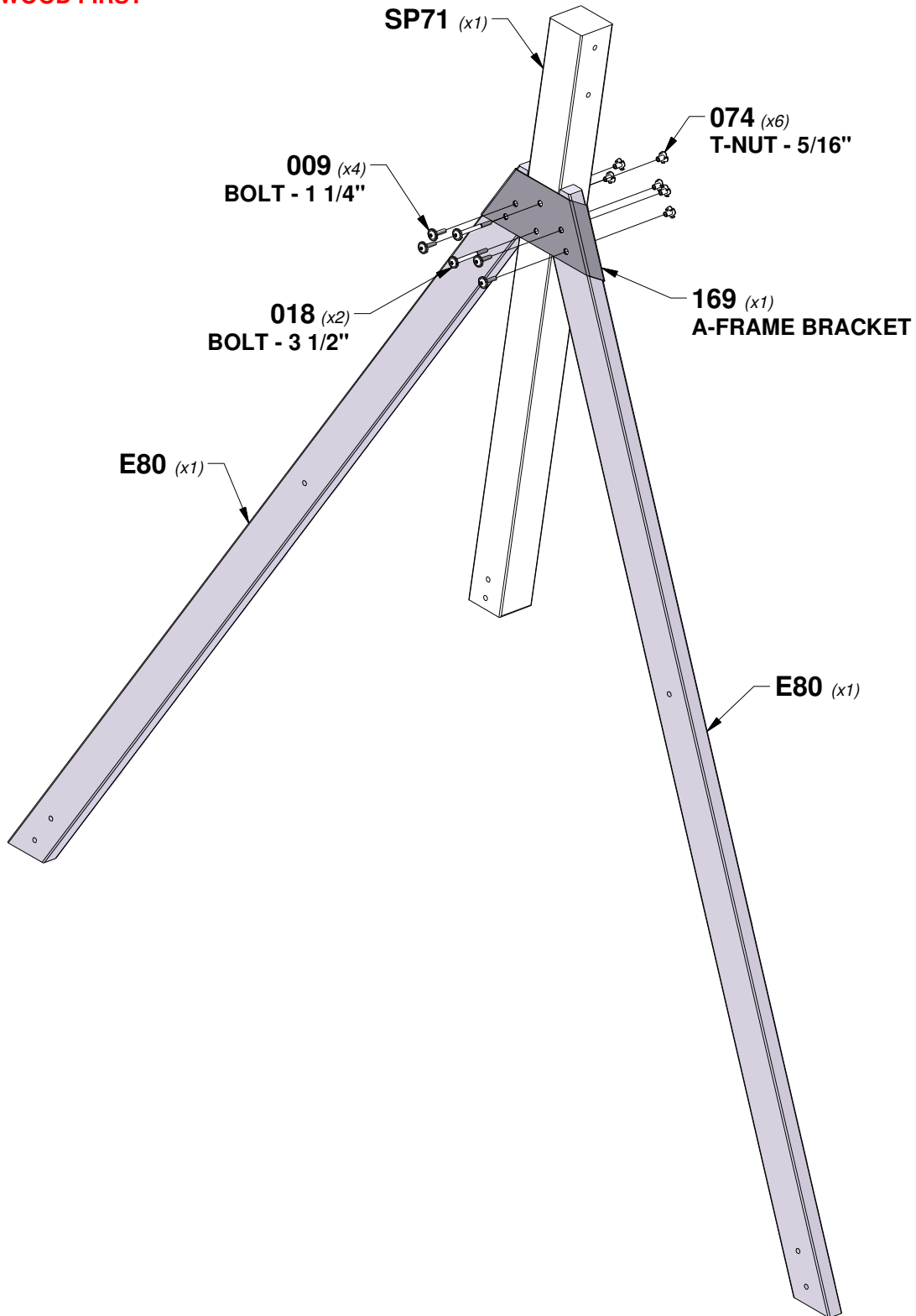


E80 ANGLE BRACE - W4L16169
 (x2) 1 3/8"x3 3/8"x87 1/8" (36x86x2212)

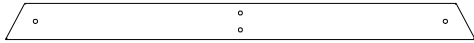


A4M01169 A-FRAME BRACKET
 (x1)

TIP:
INSTALL T-NUTS IN WOOD FIRST



STEP 5 - SWING BEAM ASSEMBLY



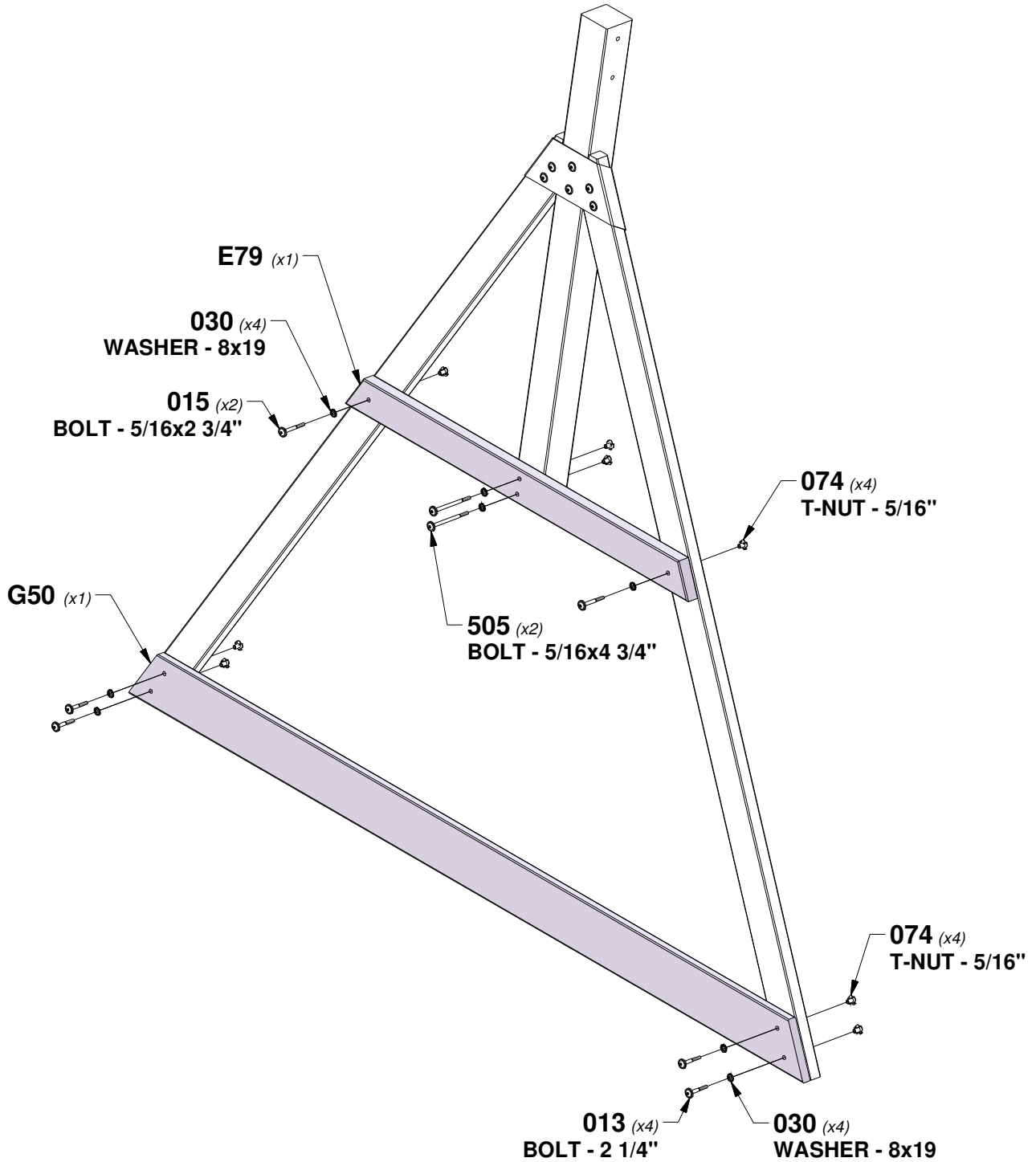
E79 END SUPPORT - W4L16170
(x1) 1 1/2"x3 1/2"x44" (36x86x1120)



G50 GROUND BOARD - W4L16171
(x1) 1"x5 1/4"x86 11/16" (24x134x2202)

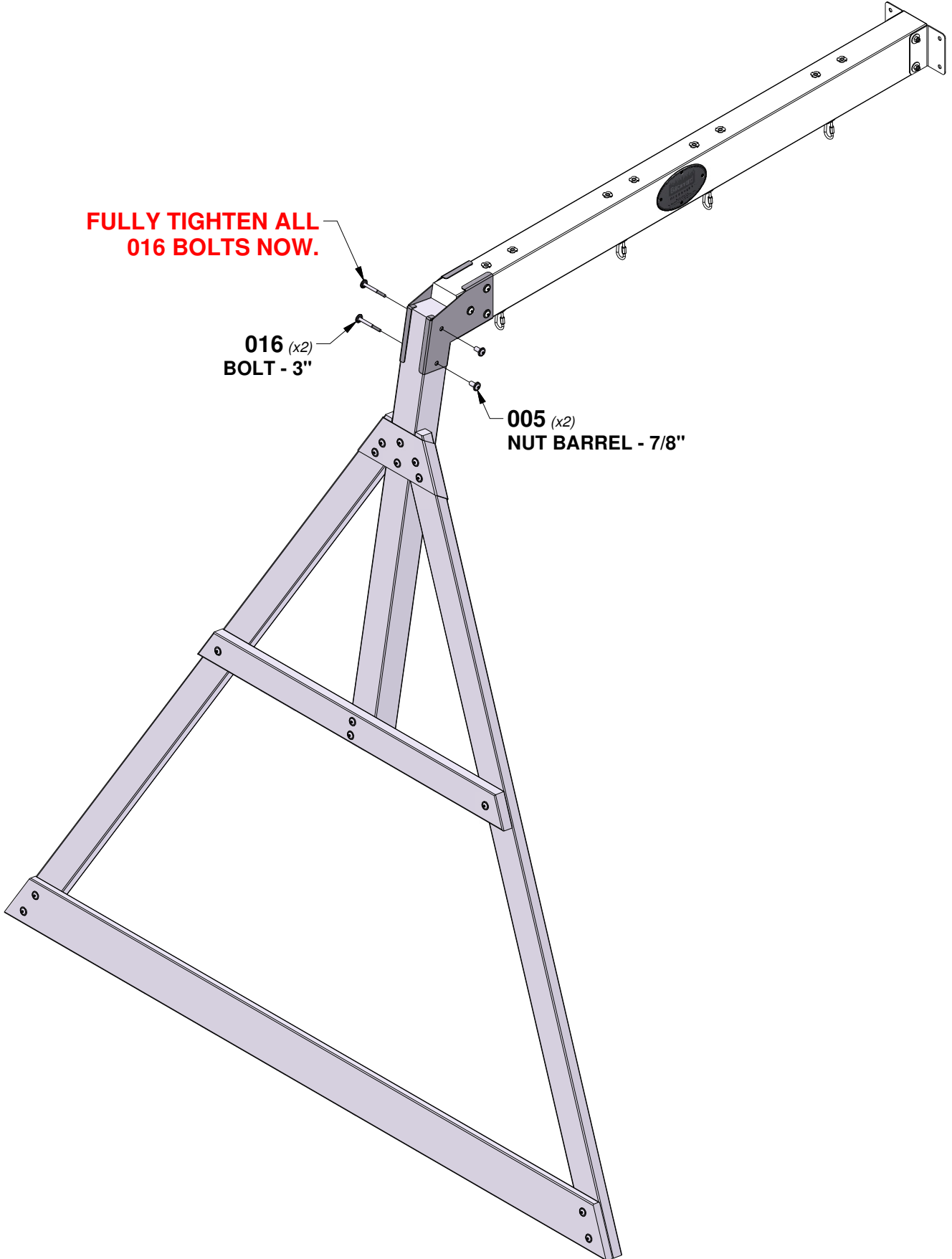
QTY	PART NUMBER	DESCRIPTION
4	H100013	BOLT WH 5/16x2 1/4
2	H100015	BOLT WH 5/16x2 3/4
8	H100030	WASHER LOCK EXT 8x19
8	H100074	T-NUT 5/16
2	H100505	BOLT WH 5/16x4 3/4

TIP:
INSTALL T-NUTS IN WOOD FIRST



STEP 6 - SWING BEAM ASSEMBLY

QTY	PART NUMBER	DESCRIPTION
2	H100005	NUT BARREL WH 5/16x7/8
2	H100016	BOLT WH 5/16x3



STEP 1 - FORT ASSEMBLY

QTY	PART NUMBER	DESCRIPTION
12	H100019	BOLT WH 5/16x3 3/4
12	H100030	WASHER LOCK EXT 8x19
12	H100074	T-NUT 5/16



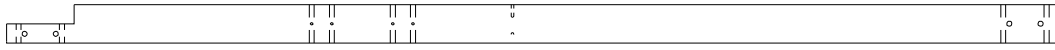
H03 FLOOR RAIL - W4L16127
(x1) 1"x3 3/8"x44 7/8" (24x86x1141)



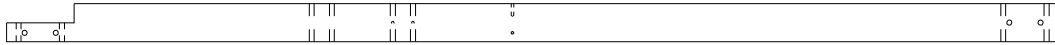
H05 WALL RAIL - W4L16137
(x1) 1"x3 3/8"x44 7/8" (24x86x1141)



G01 GROUND RAIL - W4L16128
(x1) 1"x5 1/4"x44 7/8" (24x134x1141)

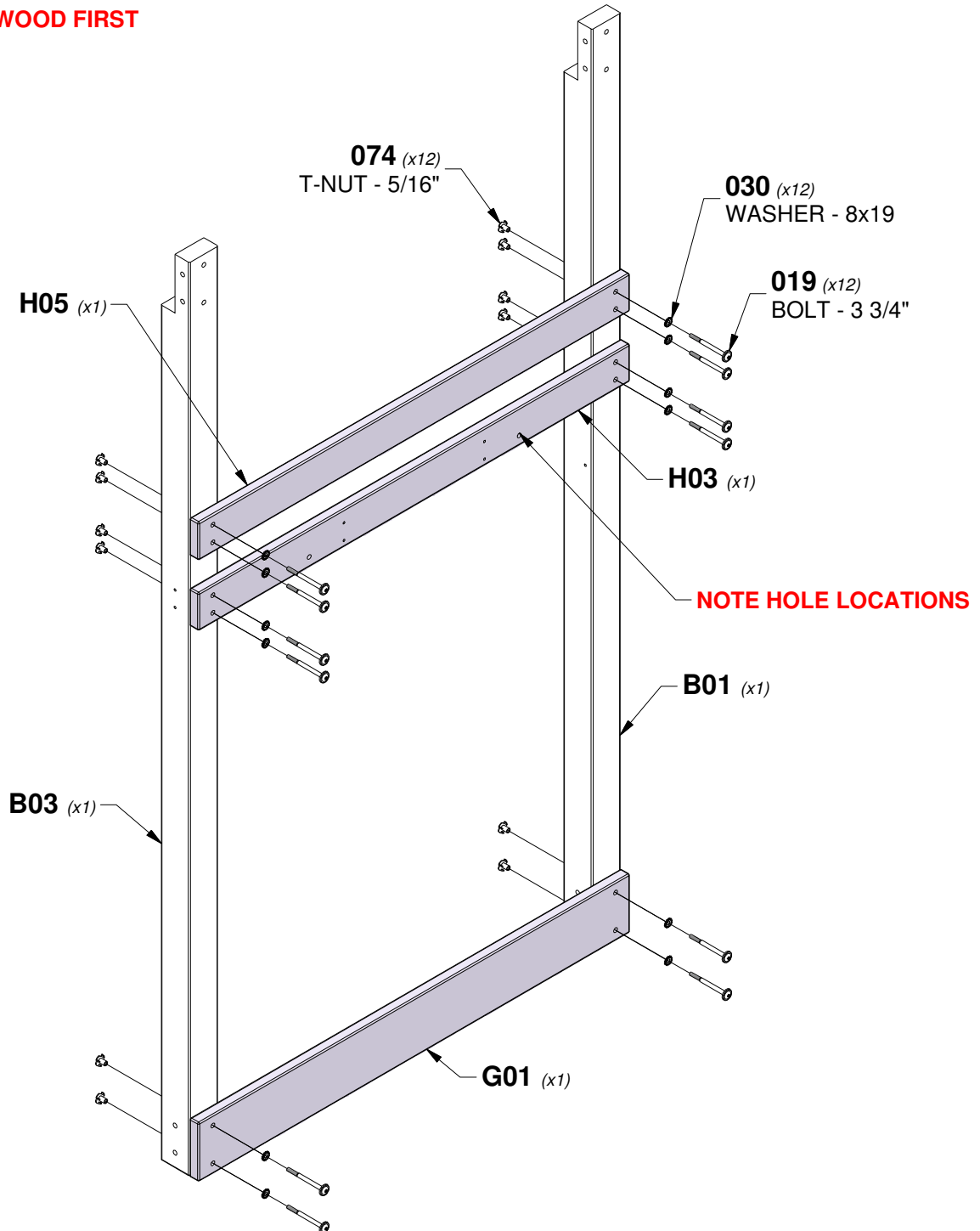


B01 UPRIGHT - W4L16121
(x1) 3"x3"x82 1/4" (76x76x2089)



B03 UPRIGHT - W4L16126
(x1) 3"x3"x82 1/4" (76x76x2089)

TIP:
INSTALL T-NUTS IN WOOD FIRST



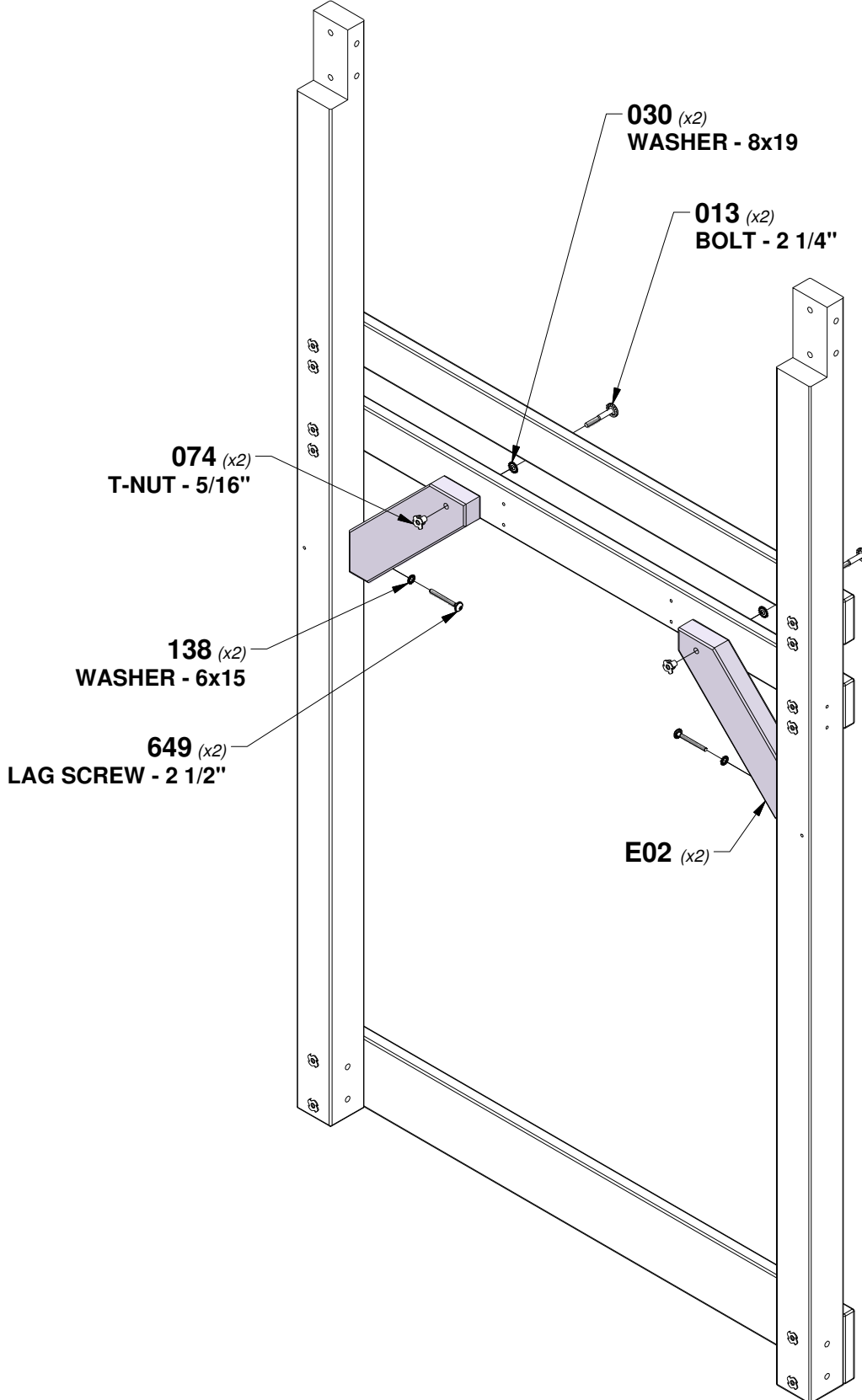
STEP 2 - FORT ASSEMBLY



E02 ANGLE BRACE - W4L16134
 (x2) 1 3/8"x3 3/8"x14 3/8" (36x86x365)

QTY	PART NUMBER	DESCRIPTION
2	H100013	BOLT WH 5/16x2 1/4
2	H100030	WASHER LOCK EXT 8x19
2	H100074	T-NUT 5/16
2	H100138	WASHER LOCK EXT 6x15
2	H100649	LAG SCREW WH 1/4x2-1/2

TIP:
INSTALL T-NUTS IN WOOD FIRST



STEP 3 - FORT ASSEMBLY

QTY	PART NUMBER	DESCRIPTION
8	H100019	BOLT WH 5/16x3 3/4
8	H100030	WASHER LOCK EXT 8x19
8	H100074	T-NUT 5/16



H02 FLOOR RAIL - W4L16125

(x1) 1"x3 3/8"x44 7/8" (24x86x1141)



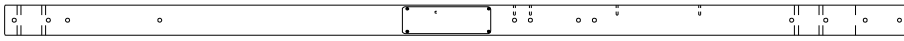
G03 GROUND RAIL - W4L16132

(x1) 1"x5 1/4"x71 3/8" (24x134x1814)



B02 UPRIGHT - W4L16122

(x1) 3"x3"x89 1/2" (76x76x2274)



B04 UPRIGHT - W2A03406

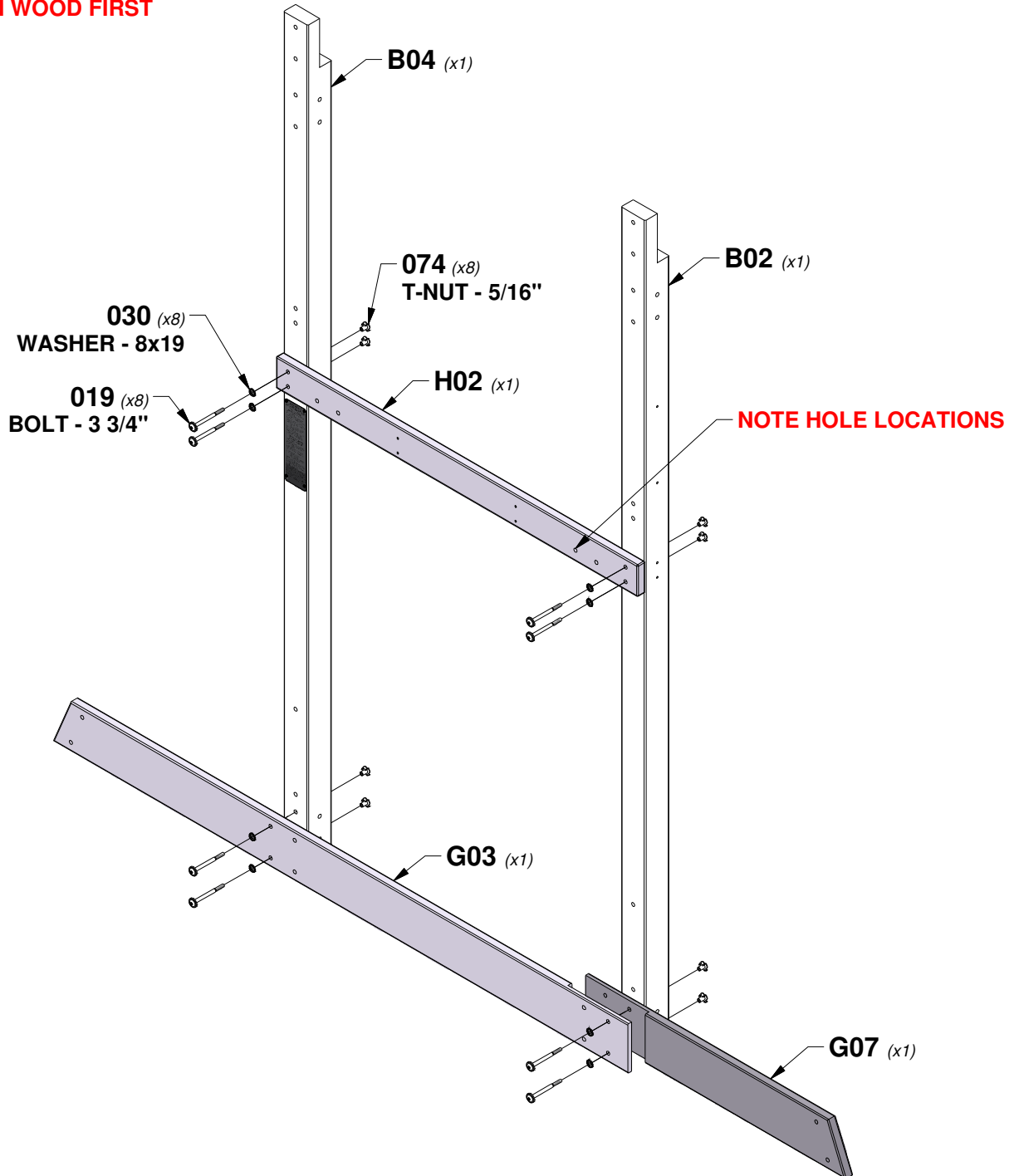
(x1) 3"x3"x89 1/2" (76x76x2274)



G07 GROUND RAIL - W4L16165

(x1) 1"x5 1/4"x32 3/4" (24x134x832)

TIP:
INSTALL T-NUTS IN WOOD FIRST



STEP 4 - FORT ASSEMBLY

QTY	PART NUMBER	DESCRIPTION
8	H100019	BOLT WH 5/16x3 3/4
8	H100030	WASHER LOCK EXT 8x19
8	H100074	T-NUT 5/16

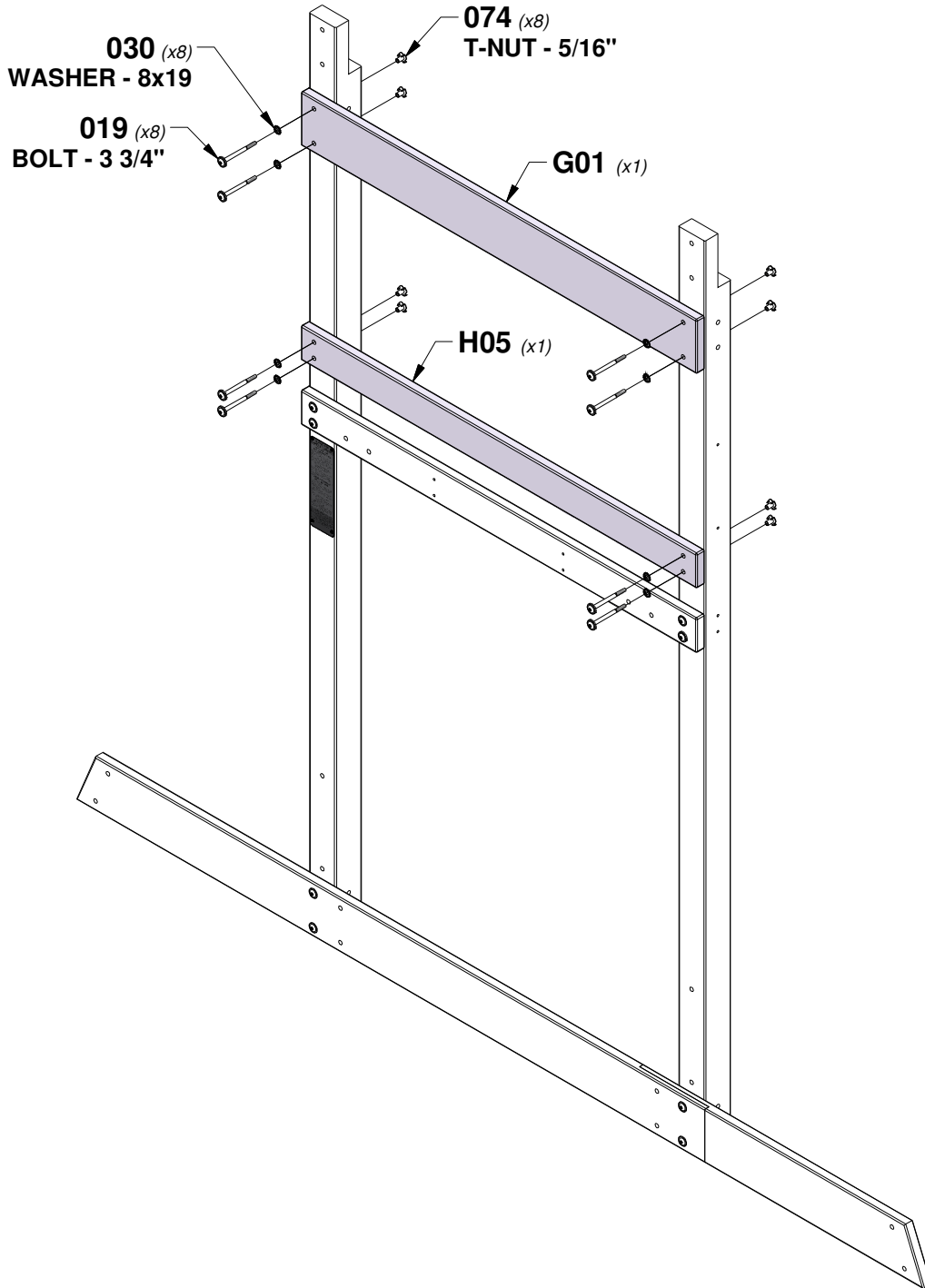


G01 GROUND RAIL - W4L16128
 (x1) 1"x5 1/4"x44 7/8" (24x134x1141)



H05 WALL RAIL - W4L16137
 (x1) 1"x3 3/8"x44 7/8" (24x86x1141)

TIP:
INSTALL T-NUTS IN WOOD FIRST



STEP 5 - FORT ASSEMBLY

QTY	PART NUMBER	DESCRIPTION
4	H100019	BOLT WH 5/16x3 3/4
4	H100027	LAG SCREW WH 5/16x2
8	H100030	WASHER LOCK EXT 8x19
4	H100074	T-NUT 5/16

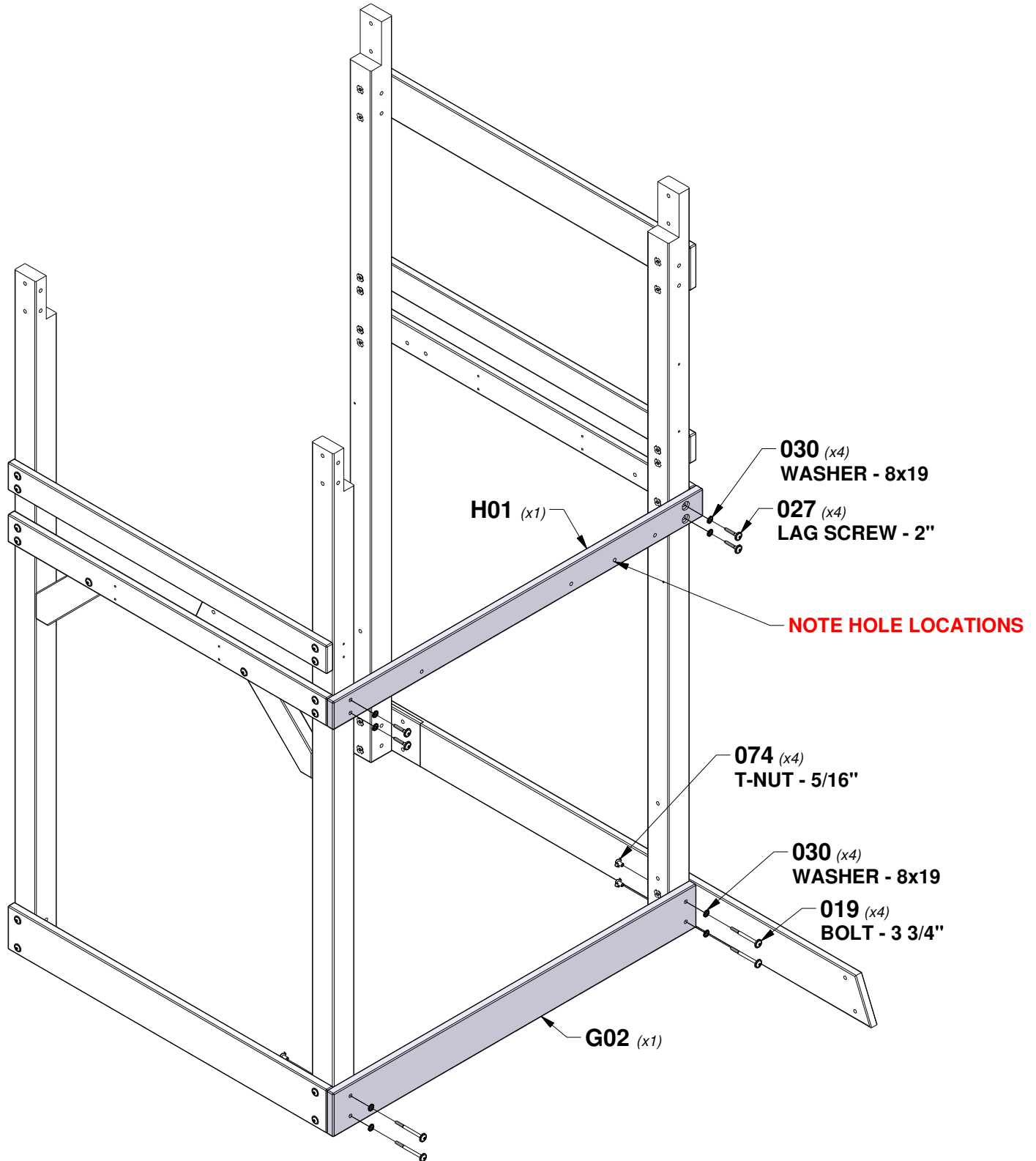


H01 FLOOR RAIL - W4L16124
(x1) 1"x3 3/8"x52 1/8" (24x86x1324)



G02 GROUND RAIL - W4L16129
(x1) 1"x5 1/4"x51 1/8" (24x134x1300)

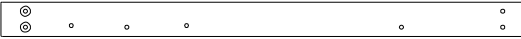
TIP:
INSTALL T-NUTS IN WOOD FIRST



STEP 6 - FORT ASSEMBLY



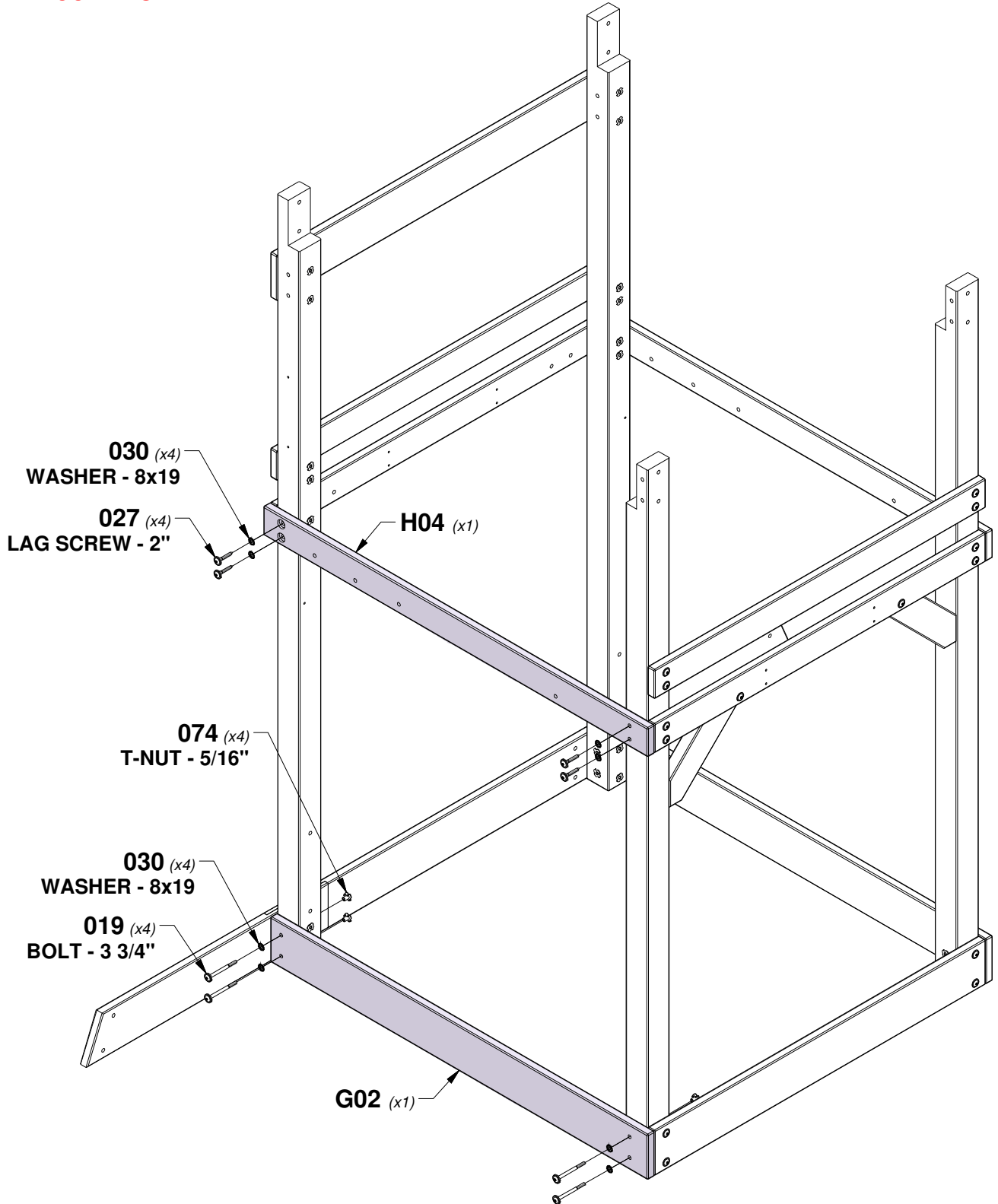
G02 GROUND RAIL - W4L16129
(x1) 1"x5 1/4"x51 1/8" (24x134x1300)



H04 FLOOR RAIL - W4L16135
(x1) 1"x3 3/8"x52 1/8" (24x86x1324)

QTY	PART NUMBER	DESCRIPTION
4	H100019	BOLT WH 5/16x3 3/4
4	H100027	LAG SCREW WH 5/16x2
8	H100030	WASHER LOCK EXT 8x19
4	H100074	T-NUT 5/16

TIP:
INSTALL T-NUTS IN WOOD FIRST



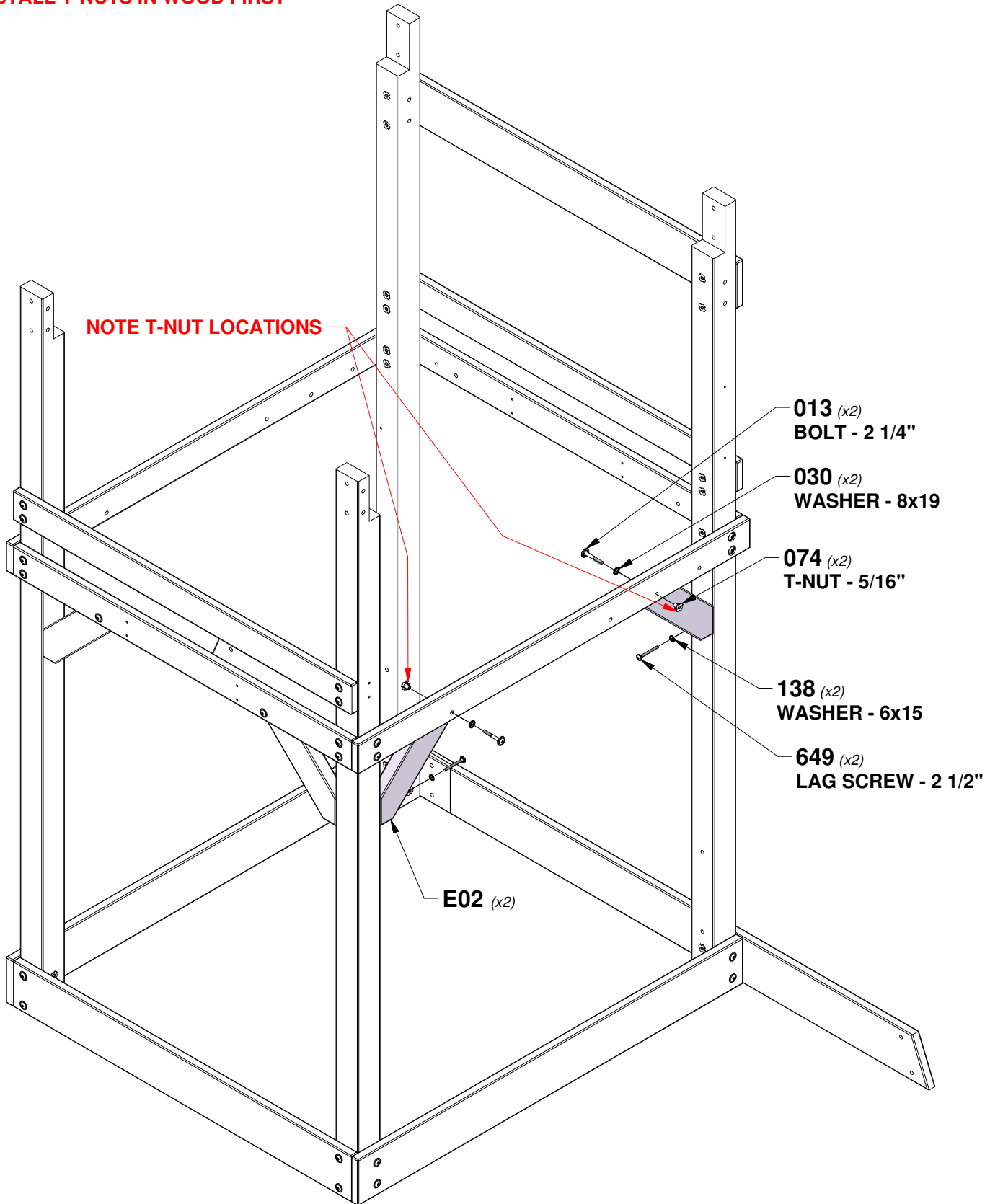
STEP 7 - FORT ASSEMBLY



E02 ANGLE BRACE - W4L16134
 (x2) 1 3/8"x3 3/8"x14 3/8" (36x86x365)

QTY	PART NUMBER	DESCRIPTION
2	H100013	BOLT WH 5/16x2 1/4
2	H100030	WASHER LOCK EXT 8x19
2	H100074	T-NUT 5/16
2	H100138	WASHER LOCK EXT 6x15
2	H100649	LAG SCREW WH 1/4x2-1/2

TIP:
INSTALL T-NUTS IN WOOD FIRST



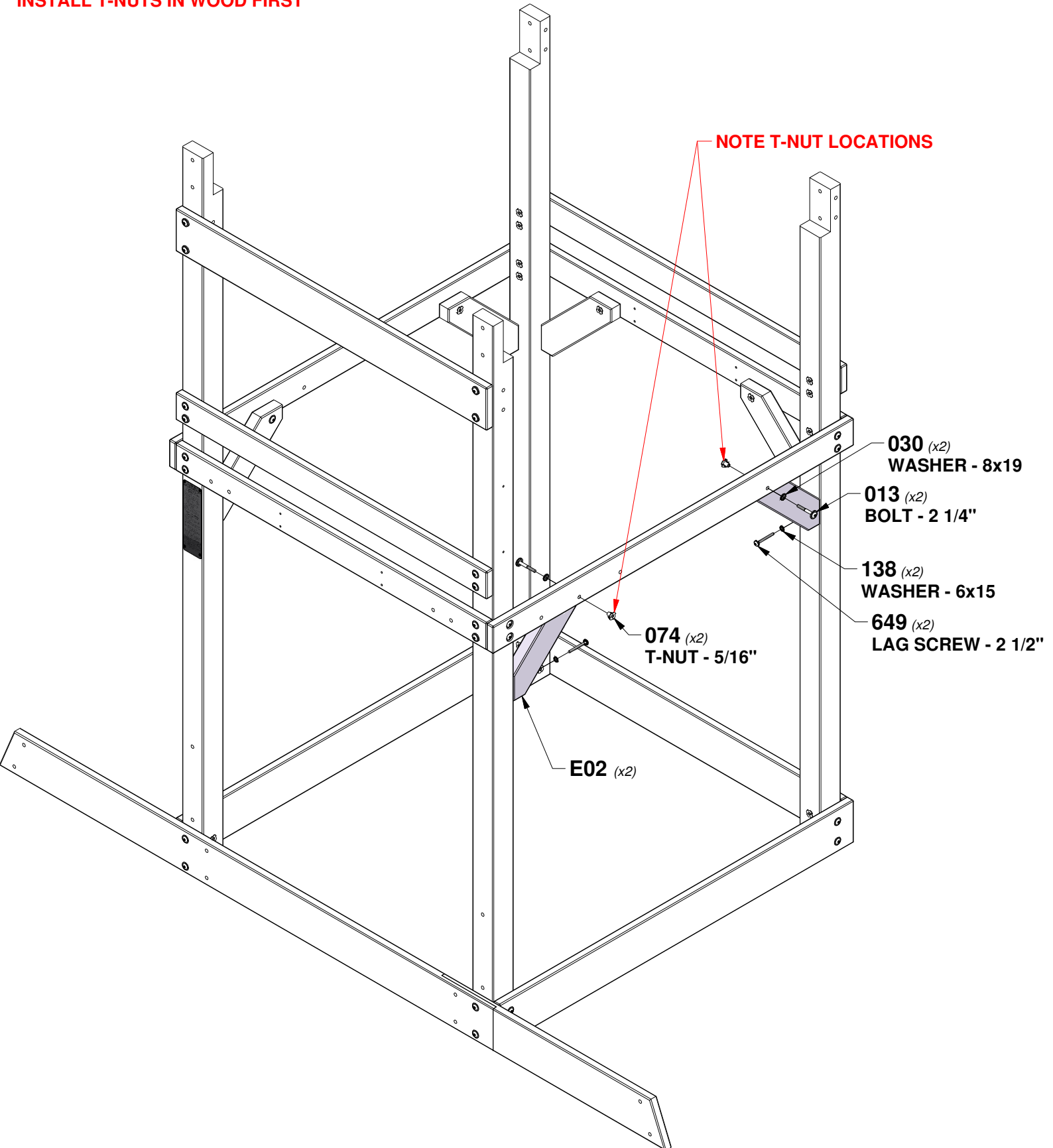
STEP 8 - FORT ASSEMBLY



E02 ANGLE BRACE - W4L16134
(x2) 1 3/8"x3 3/8"x14 3/8" (36x86x365)

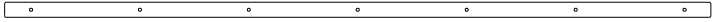
QTY	PART NUMBER	DESCRIPTION
2	H100013	BOLT WH 5/16x2 1/4
2	H100030	WASHER LOCK EXT 8x19
2	H100074	T-NUT 5/16
2	H100138	WASHER LOCK EXT 6x15
2	H100649	LAG SCREW WH 1/4x2-1/2

TIP:
INSTALL T-NUTS IN WOOD FIRST



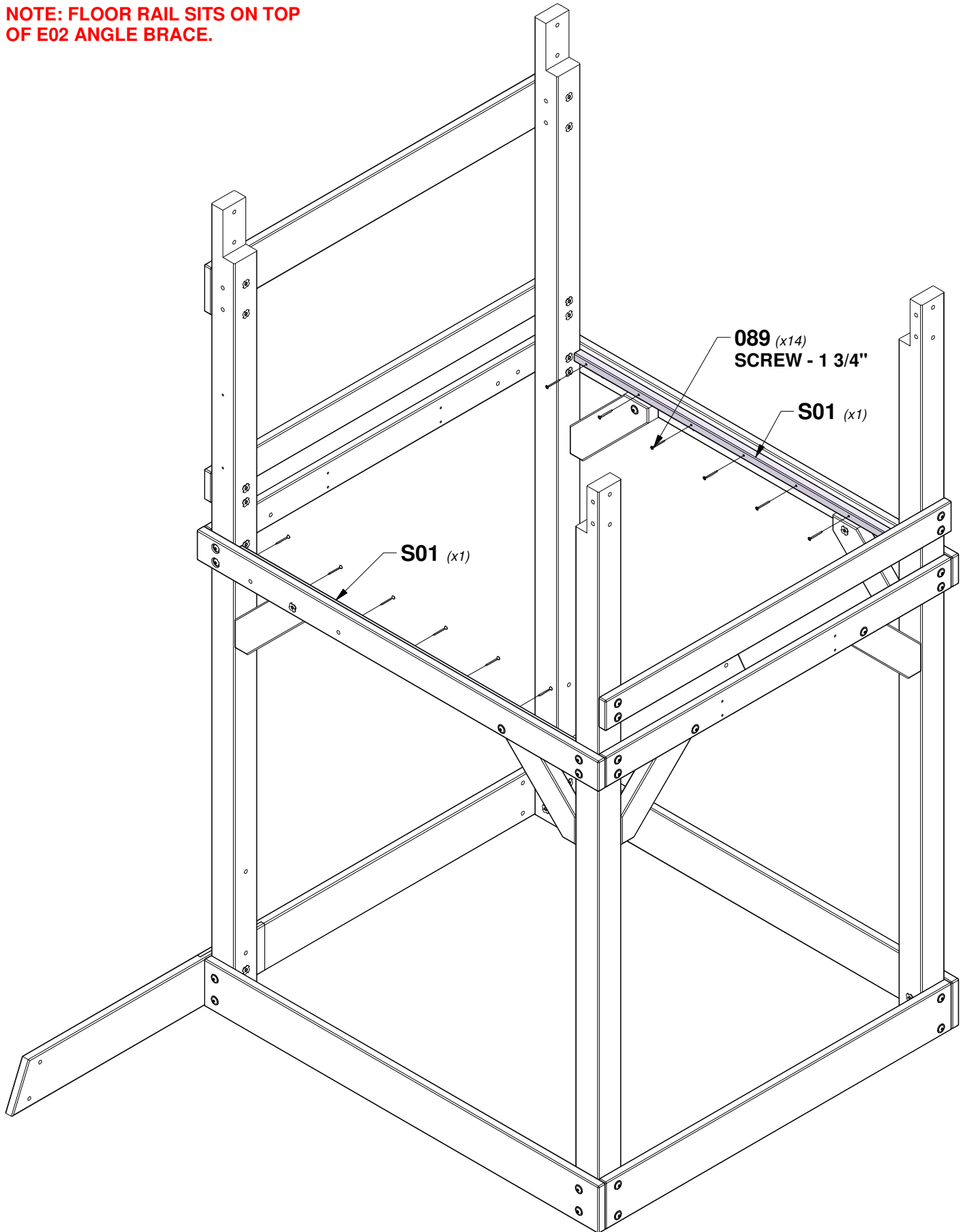
STEP 9 - FORT ASSEMBLY

QTY	PART NUMBER	DESCRIPTION
14	H100089	SCREW PFH 8x1-3/4"



S01 FLOOR RAIL - W4L16131
(x2) 1"x1"x44 1/8" (24x24x1122)

NOTE: FLOOR RAIL SITS ON TOP OF E02 ANGLE BRACE.

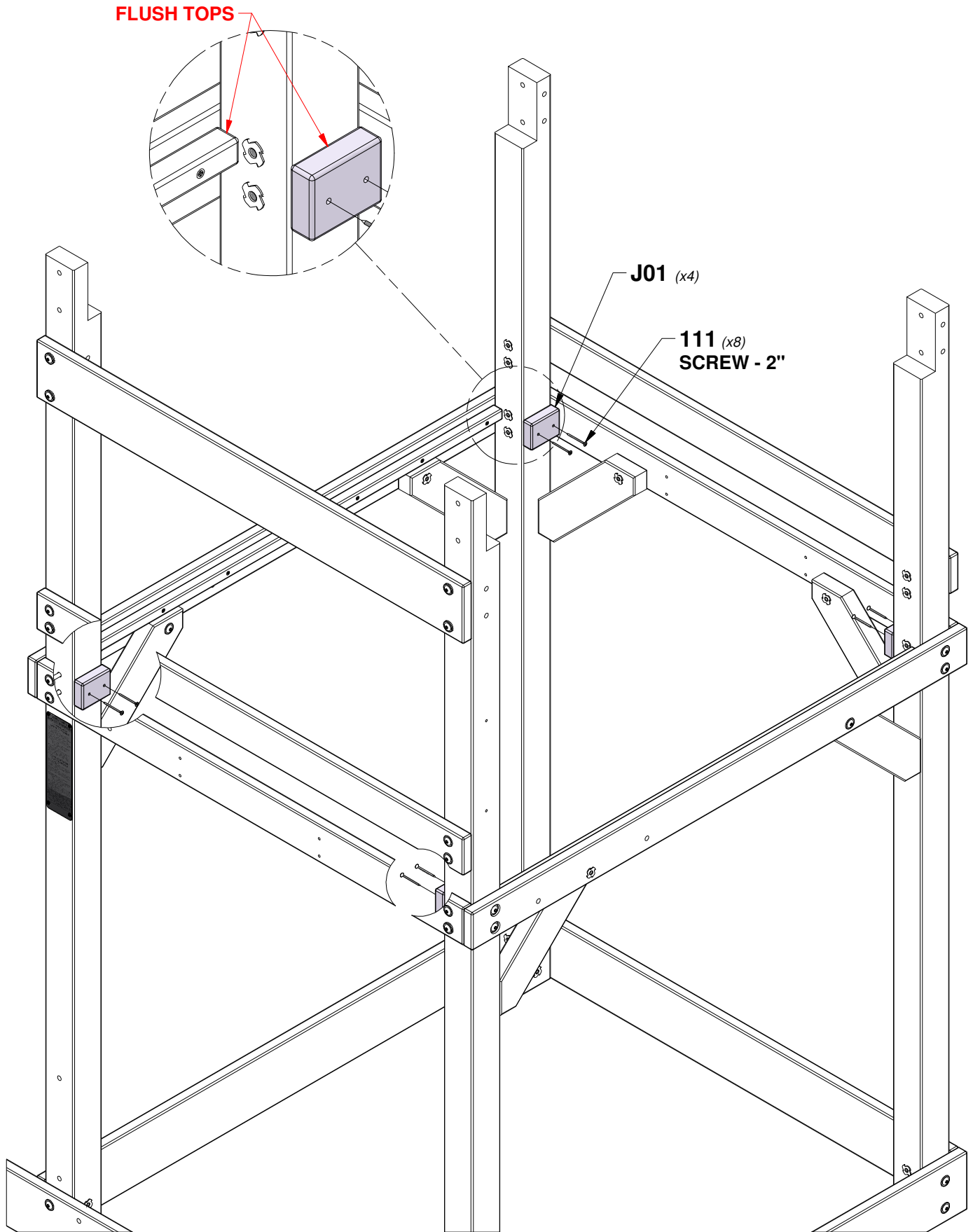


STEP 10 - FORT ASSEMBLY

QTY	PART NUMBER	DESCRIPTION
8	H100111	SCREW PFH 8x2



J01 FLOOR SUPPORT - W4L16136
(x4) 1"x2 3/8"x3" (24x60x76)



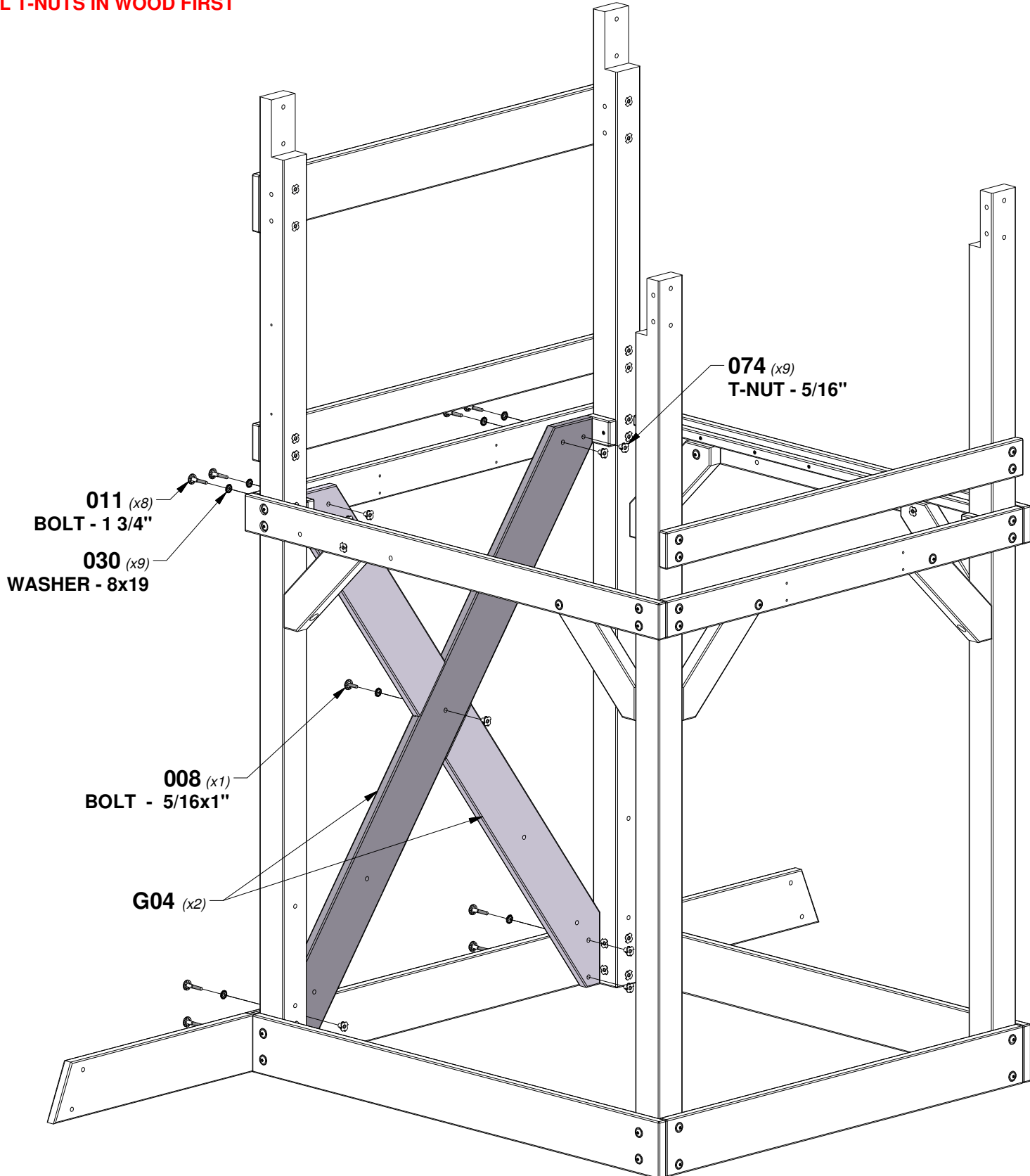
STEP 11 - FORT ASSEMBLY

QTY	PART NUMBER	DESCRIPTION
1	H100008	BOLT WH 5/16x1
8	H100011	BOLT WH 5/16x1 3/4
9	H100030	WASHER LOCK EXT 8x19
9	H100074	T-NUT 5/16



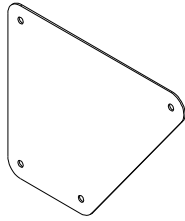
G04 CROSS BRACE - W4L16133
 (x2) 1"x5 1/4"x64 5/8" (24x134x1642)

TIP:
INSTALL T-NUTS IN WOOD FIRST



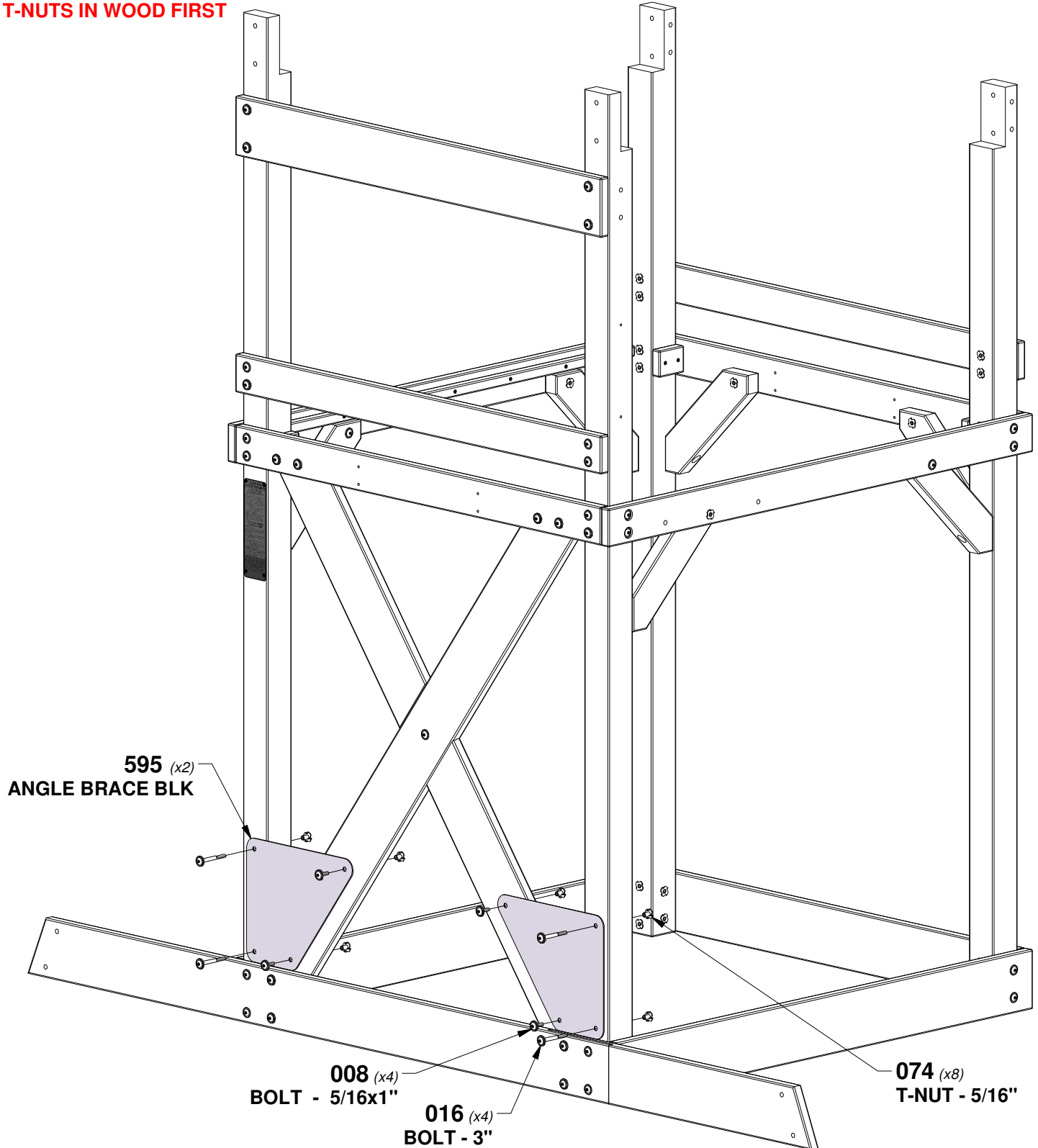
STEP 12 - FORT ASSEMBLY

QTY	PART NUMBER	DESCRIPTION
4	H100008	BOLT WH 5/16x1
4	H100016	BOLT WH 5/16x3
8	H100074	T-NUT 5/16



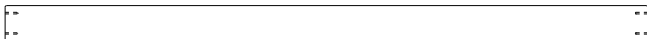
A4M01595 ANGLE BRACE
(x2) **BLK**

TIP:
INSTALL T-NUTS IN WOOD FIRST

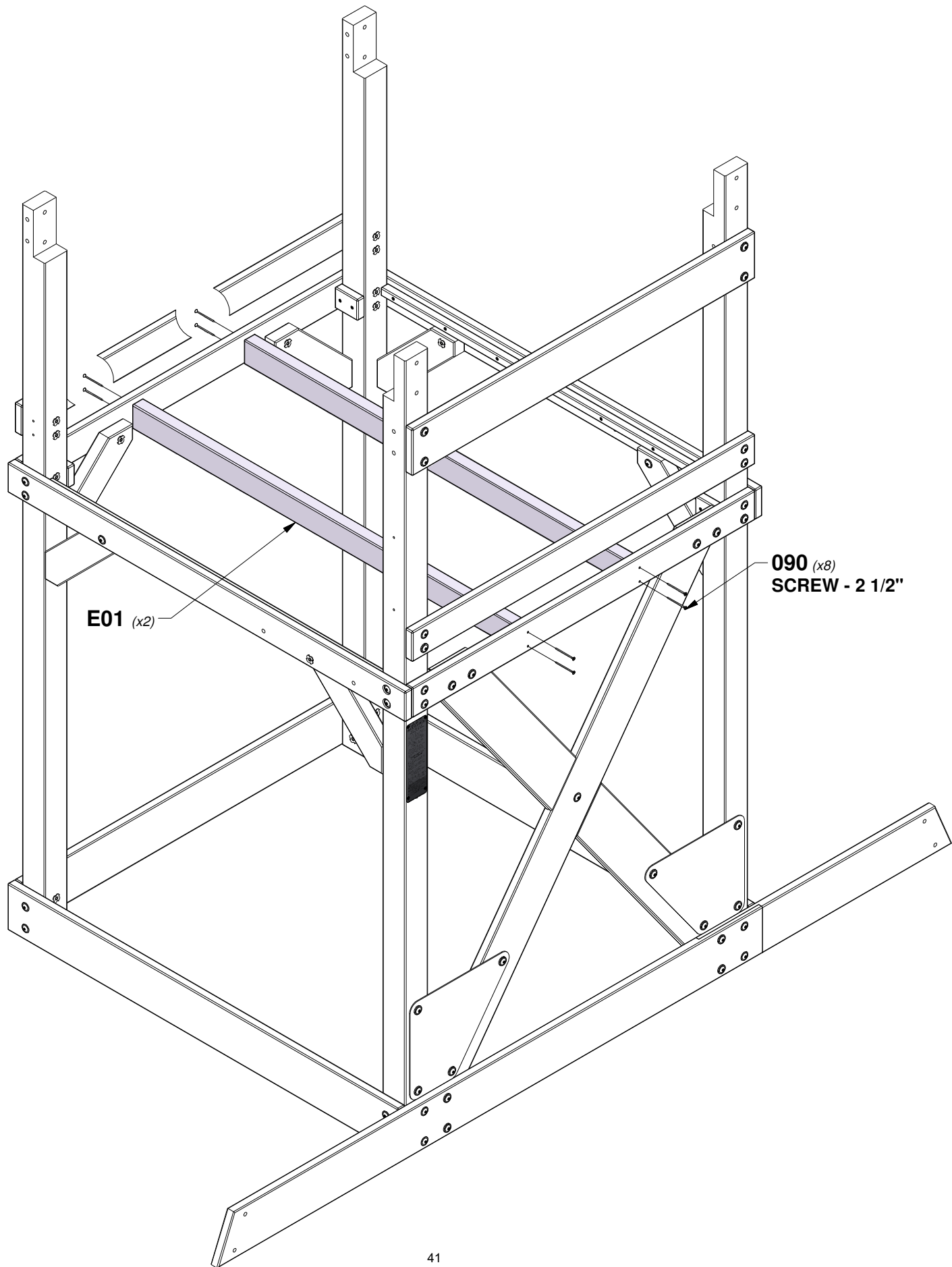


STEP 13 - FORT ASSEMBLY

QTY	PART NUMBER	DESCRIPTION
8	H100090	SCREW PFH 8x2 1/2

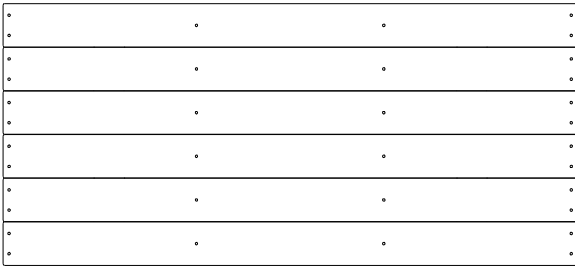


E01 FLOOR JOIST - W4L16130
(x2) 1 3/8"x2 3/4"x50 1/4" (36x70x1276)

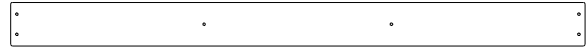


STEP 14 - FORT ASSEMBLY

QTY	PART NUMBER	DESCRIPTION
90	H100087	SCREW PFH 8x1-1/4"



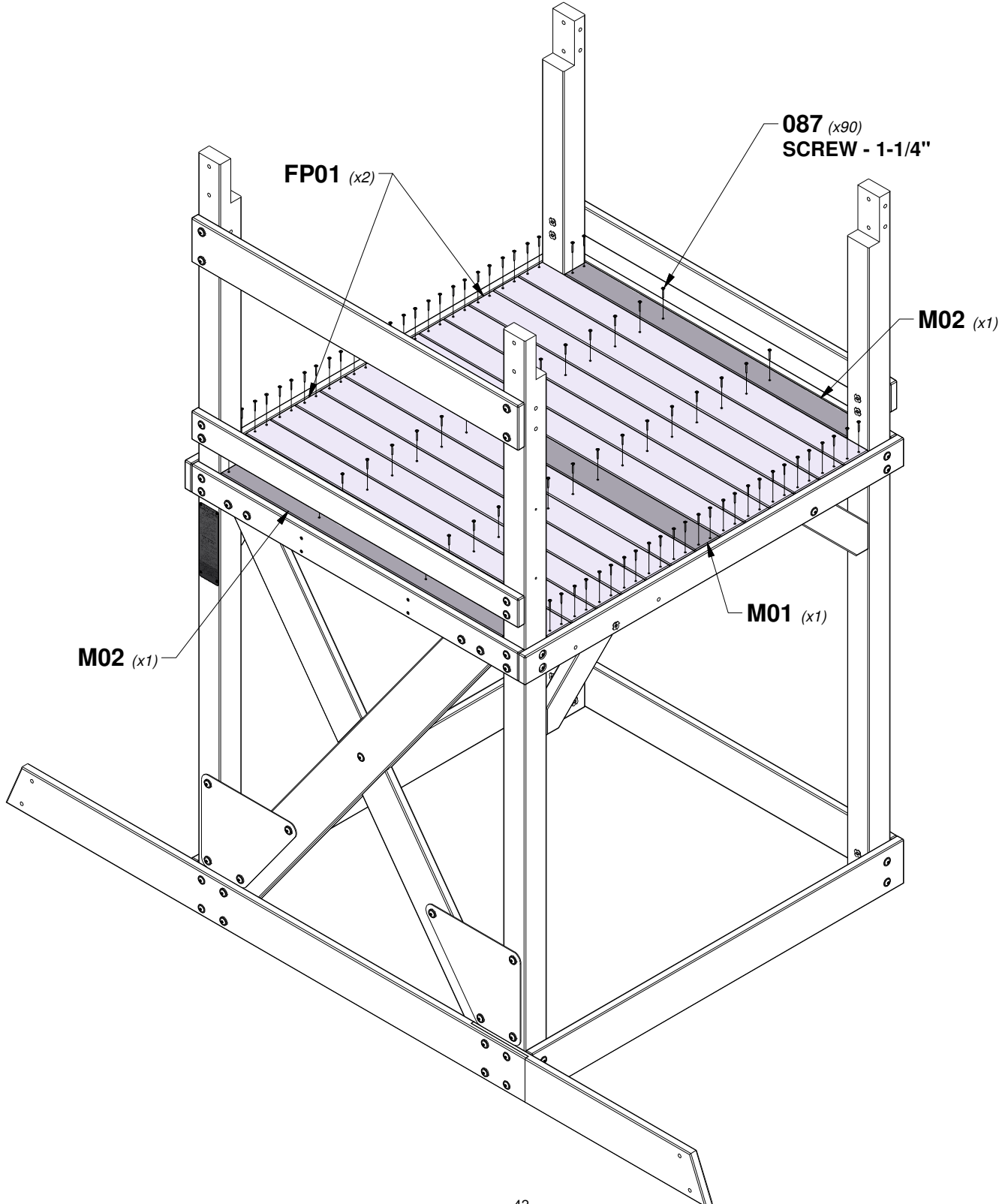
FP01 FLOOR PANEL - W2A03405
(x2) 1 1/4"x20 7/16"x44 7/8" (32x519x1140)



M01 FLOOR BOARD - W4L16120
(x1) 5/8"x3 3/8"x44 7/8" (16x86x1140)

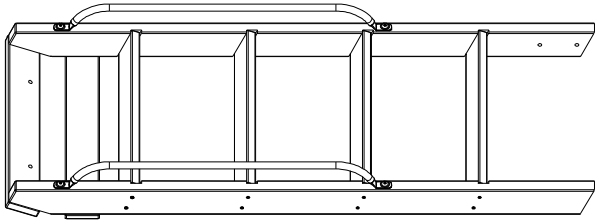


M02 FLOOR BOARD - W4L16123
(x2) 5/8"x3"x38 7/8" (16x76x988)



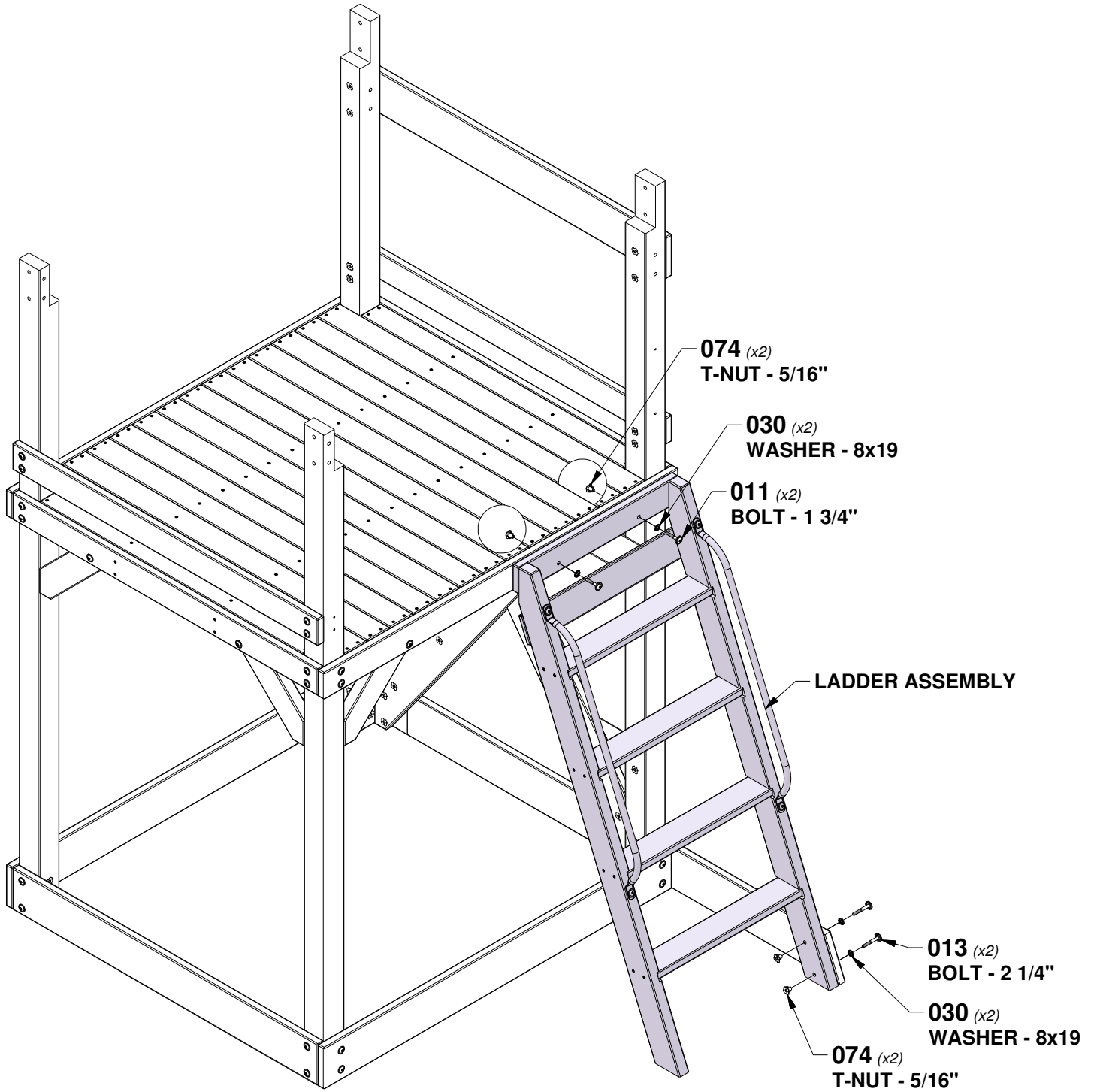
STEP 15 - FORT ASSEMBLY

QTY	PART NUMBER	DESCRIPTION
2	H100011	BOLT WH 5/16x1 3/4
2	H100013	BOLT WH 5/16x2 1/4
4	H100030	WASHER LOCK EXT 8x19
4	H100074	T-NUT 5/16



LADDER ASSEMBLY

TIP:
INSTALL T-NUTS IN WOOD FIRST

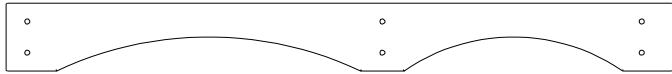


STEP 16 - FORT ASSEMBLY

QTY	PART NUMBER	DESCRIPTION
8	H100019	BOLT WH 5/16x3 3/4
8	H100030	WASHER LOCK EXT 8x19
8	H100074	T-NUT 5/16

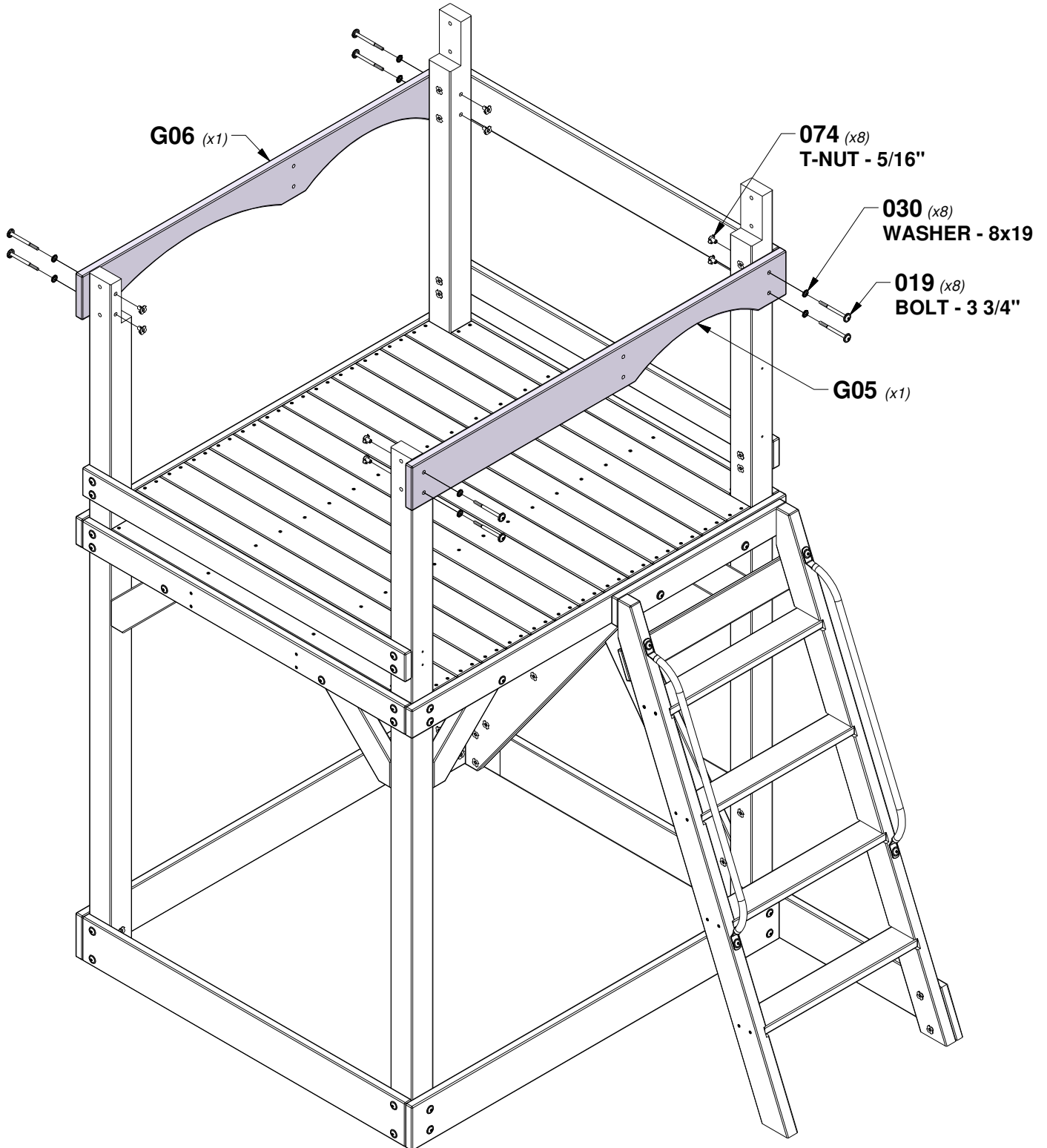


G05 WALL RAIL - W4L16143
(x1) 1"x5 1/4"x52 1/8" (24x134x1324)

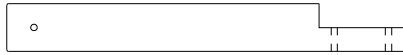


G06 WALL RAIL - W4L16144
(x1) 1"x5 1/4"x52 1/8" (24x134x1324)

TIP:
INSTALL T-NUTS IN WOOD FIRST



STEP 17 - FORT ASSEMBLY



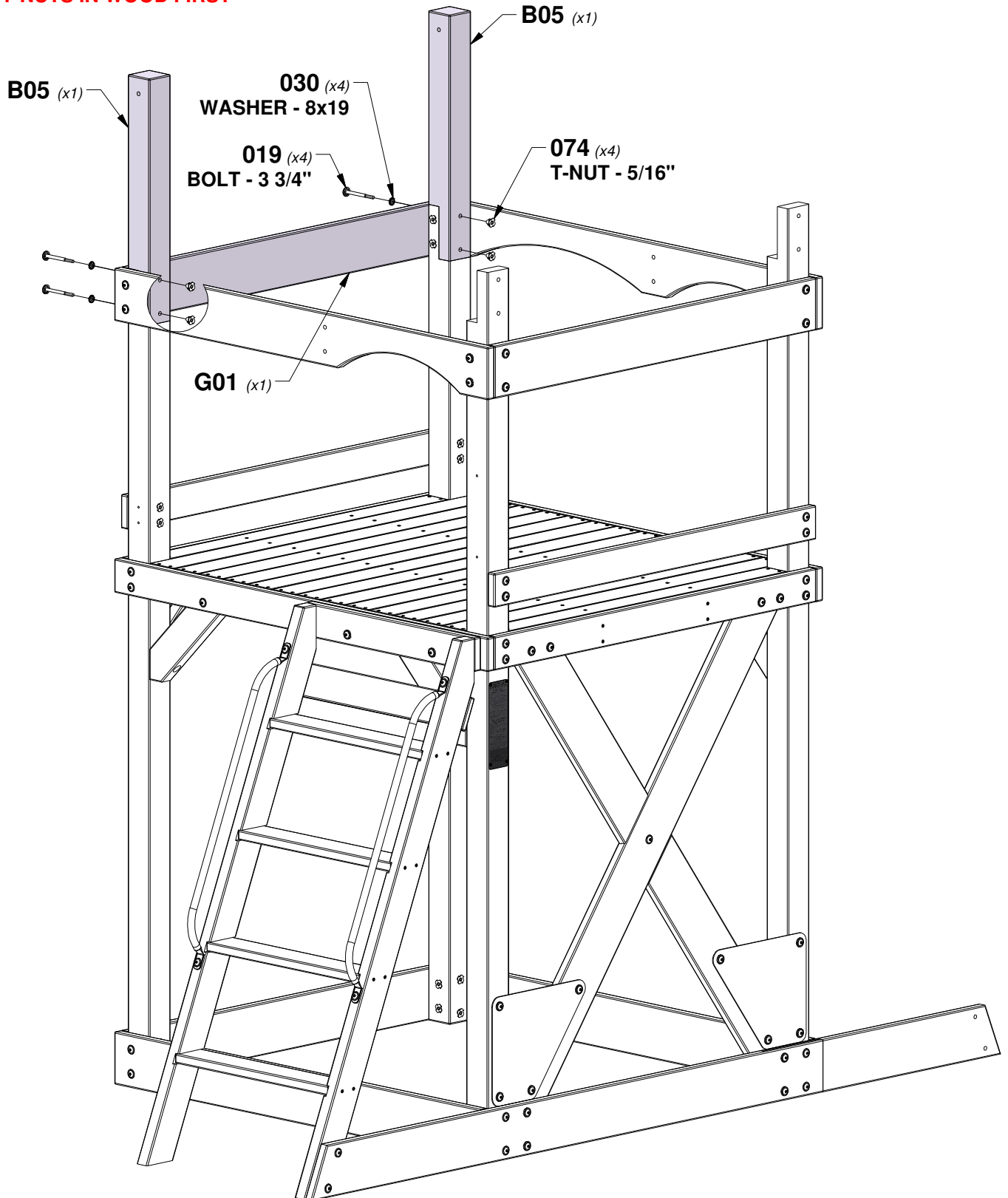
B05 UPRIGHT - W4L16139
(x2) 3"x3"x24 3/4" (76x76x630)



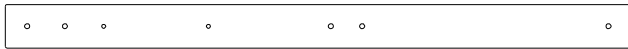
G01 GROUND RAIL - W4L16128
(x1) 1"x5 1/4"x44 7/8" (24x134x1141)

QTY	PART NUMBER	DESCRIPTION
4	H100019	BOLT WH 5/16x3 3/4
4	H100030	WASHER LOCK EXT 8x19
4	H100074	T-NUT 5/16

TIP:
INSTALL T-NUTS IN WOOD FIRST



STEP 18 - FORT ASSEMBLY



H07 WALL UPRIGHT - W4L16138
(x1) 1"x3 3/8"x48 7/8" (24x86x1240)

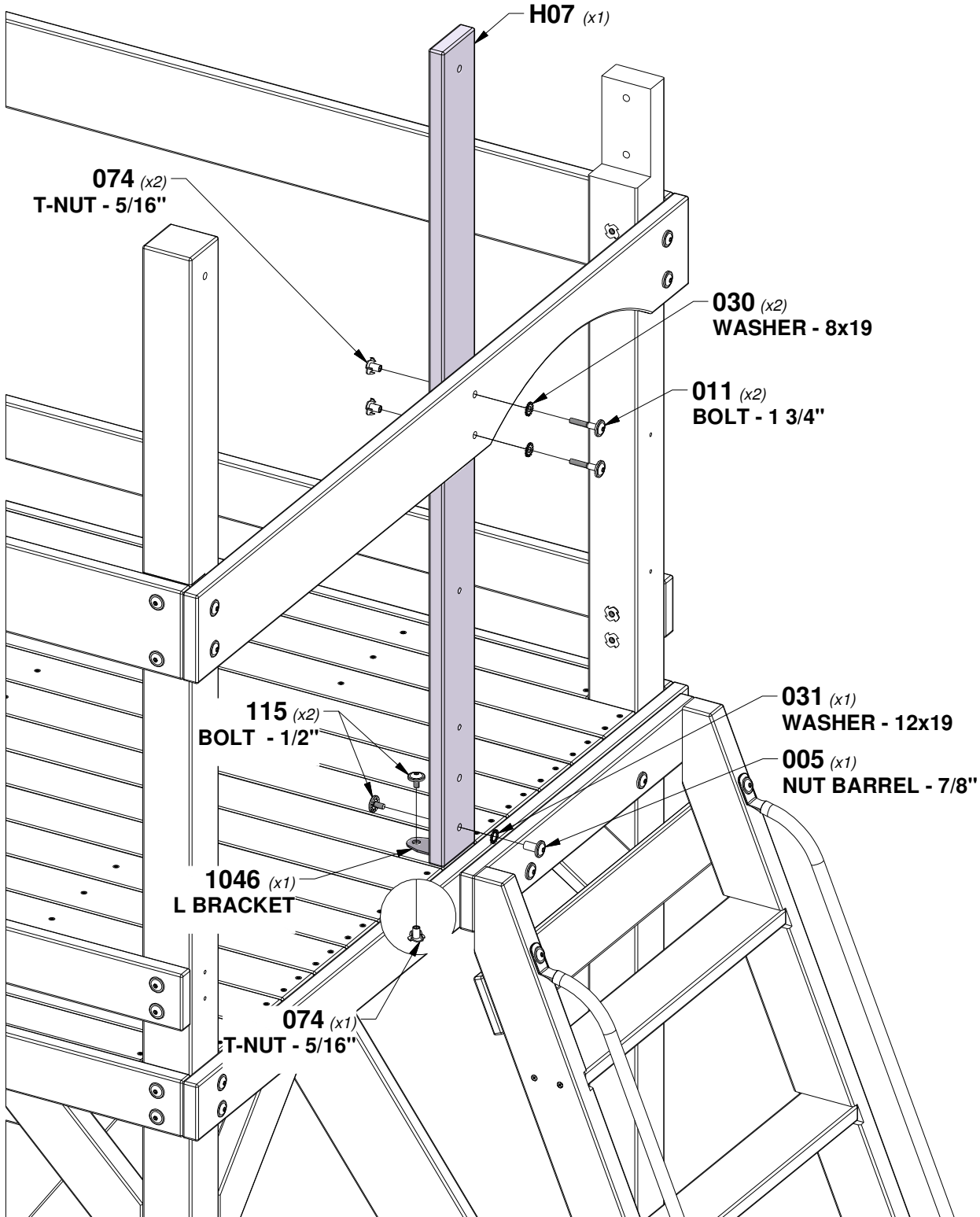


A4M01046 L BRACKET
(x1) 2.5x38x55x55

QTY	PART NUMBER	DESCRIPTION
1	H100005	NUT BARREL WH 5/16x7/8
2	H100011	BOLT WH 5/16x1 3/4
2	H100030	WASHER LOCK EXT 8x19
1	H100031	WASHER LOCK EXT 12x19
3	H100074	T-NUT 5/16
2	H100115	BOLT WH 5/16x1/2

TIP:
INSTALL T-NUTS IN WOOD FIRST

USING BRACKET AS A GUIDE, DRILL (1) 3/8" (10mm) HOLE THRU FLOOR FOR HARDWARE



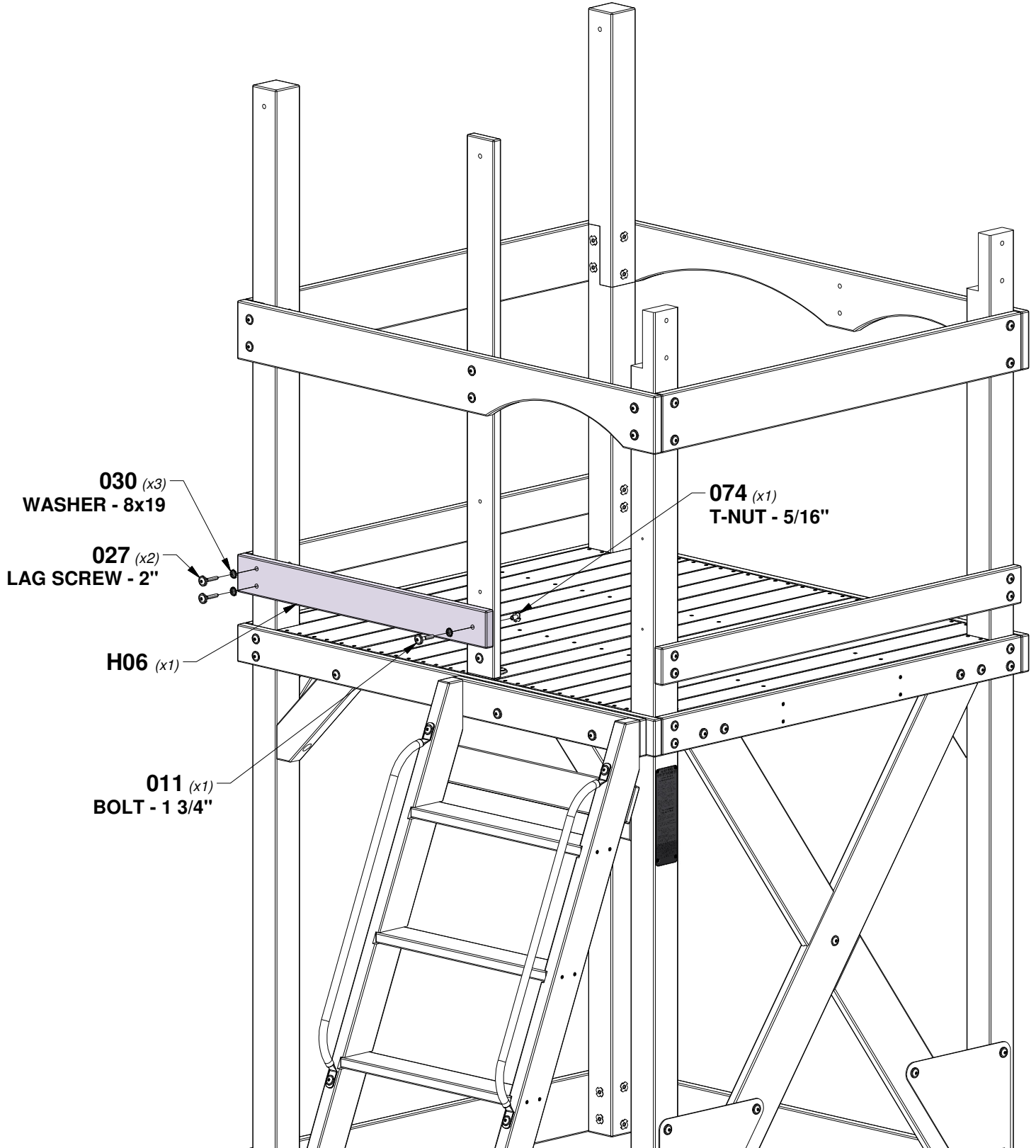
STEP 19 - FORT ASSEMBLY



H06 WALL RAIL - W4L16141
 (x1) 1"x3 3/8"x31 1/8" (24x86x790)

QTY	PART NUMBER	DESCRIPTION
1	H100011	BOLT WH 5/16x1 3/4
2	H100027	LAG SCREW WH 5/16x2
3	H100030	WASHER LOCK EXT 8x19
1	H100074	T-NUT 5/16

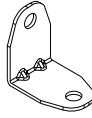
TIP:
INSTALL T-NUTS IN WOOD FIRST



STEP 20 - FORT ASSEMBLY



H08 WALL UPRIGHT - W4L16142
(x1) 1"x3 3/8"x48 7/8" (24x86x1240)

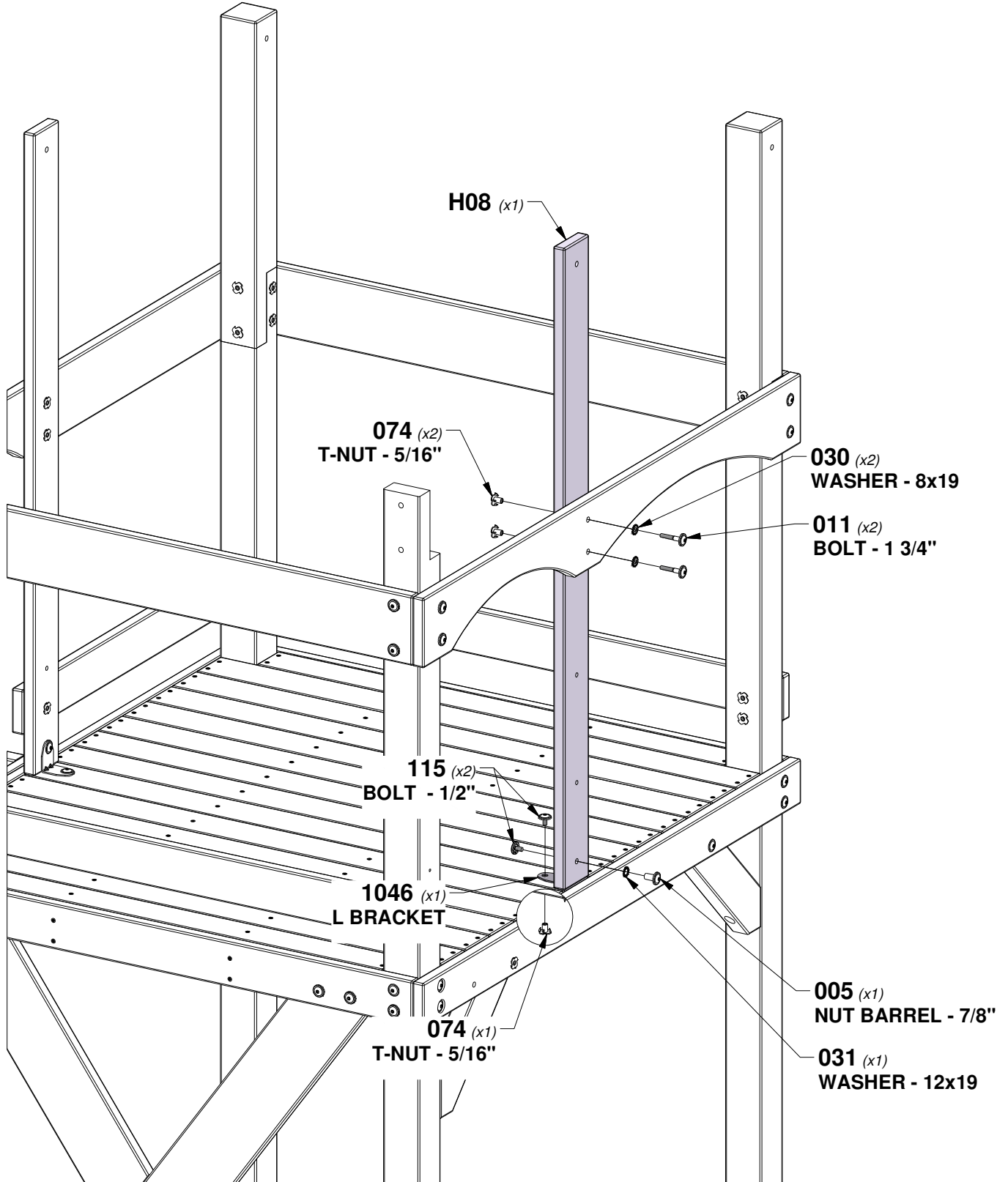


A4M01046 L BRACKET
(x1) 2.5x38x55x55

QTY	PART NUMBER	DESCRIPTION
1	H100005	NUT BARREL WH 5/16x7/8
2	H100011	BOLT WH 5/16x1 3/4
2	H100030	WASHER LOCK EXT 8x19
1	H100031	WASHER LOCK EXT 12x19
3	H100074	T-NUT 5/16
2	H100115	BOLT WH 5/16x1/2

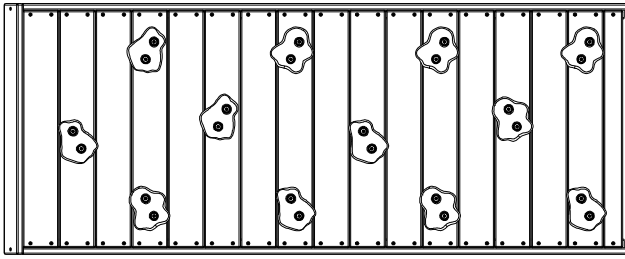
TIP:
INSTALL T-NUTS IN WOOD FIRST

USING BRACKET AS A GUIDE, DRILL (1) 3/8" (10mm) HOLE THRU FLOOR FOR HARDWARE



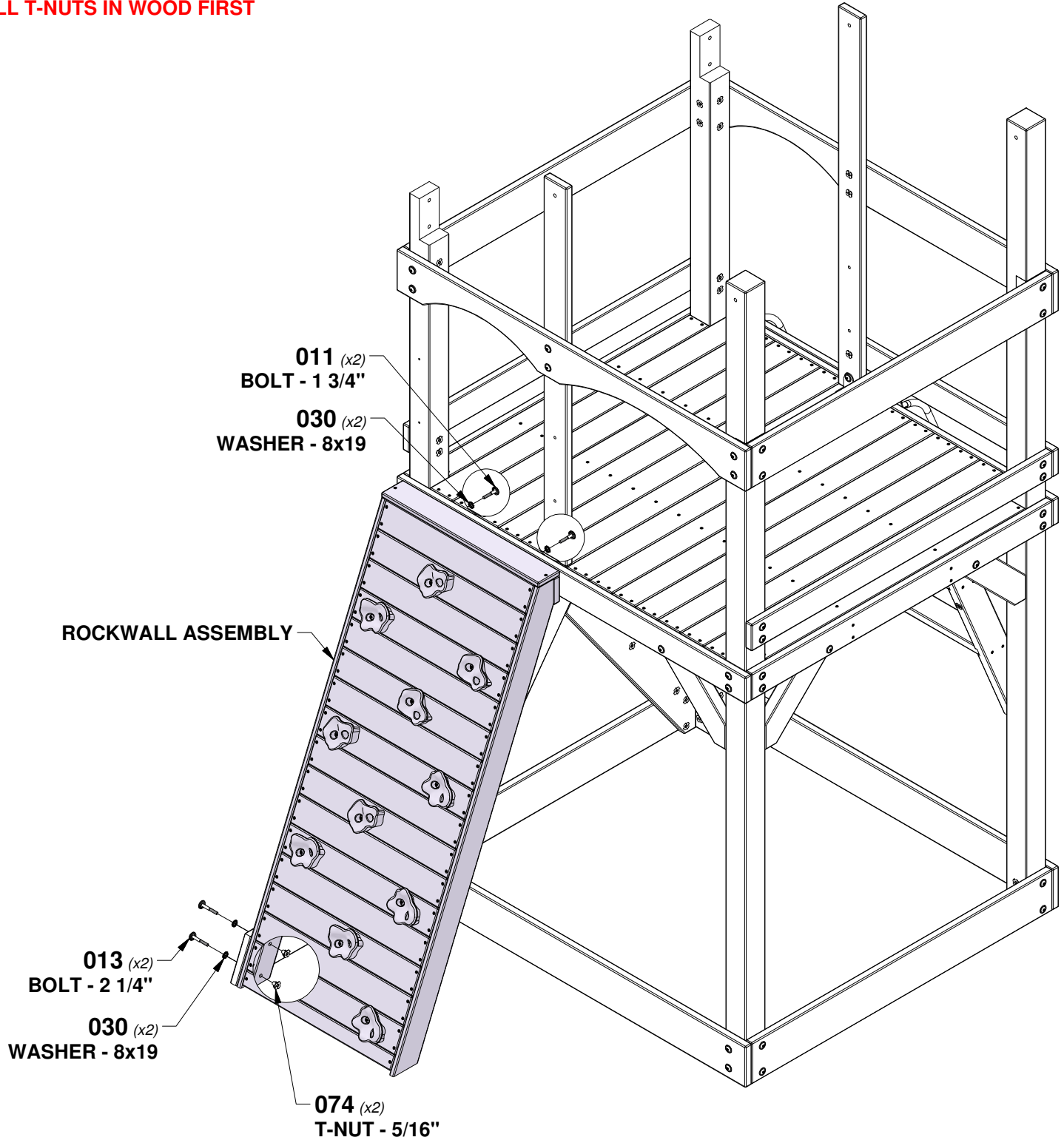
STEP 21 - FORT ASSEMBLY

QTY	PART NUMBER	DESCRIPTION
2	H100011	BOLT WH 5/16x1 3/4
2	H100013	BOLT WH 5/16x2 1/4
4	H100030	WASHER LOCK EXT 8x19
2	H100074	T-NUT 5/16



ROCKWALL ASSEMBLY

TIP:
INSTALL T-NUTS IN WOOD FIRST



STEP 22 - FORT ASSEMBLY

QTY	PART NUMBER	DESCRIPTION
4	H100030	WASHER LOCK EXT 8x19
4	H100074	T-NUT 5/16
4	H100166	BOLT WH 5/16x4-1/4

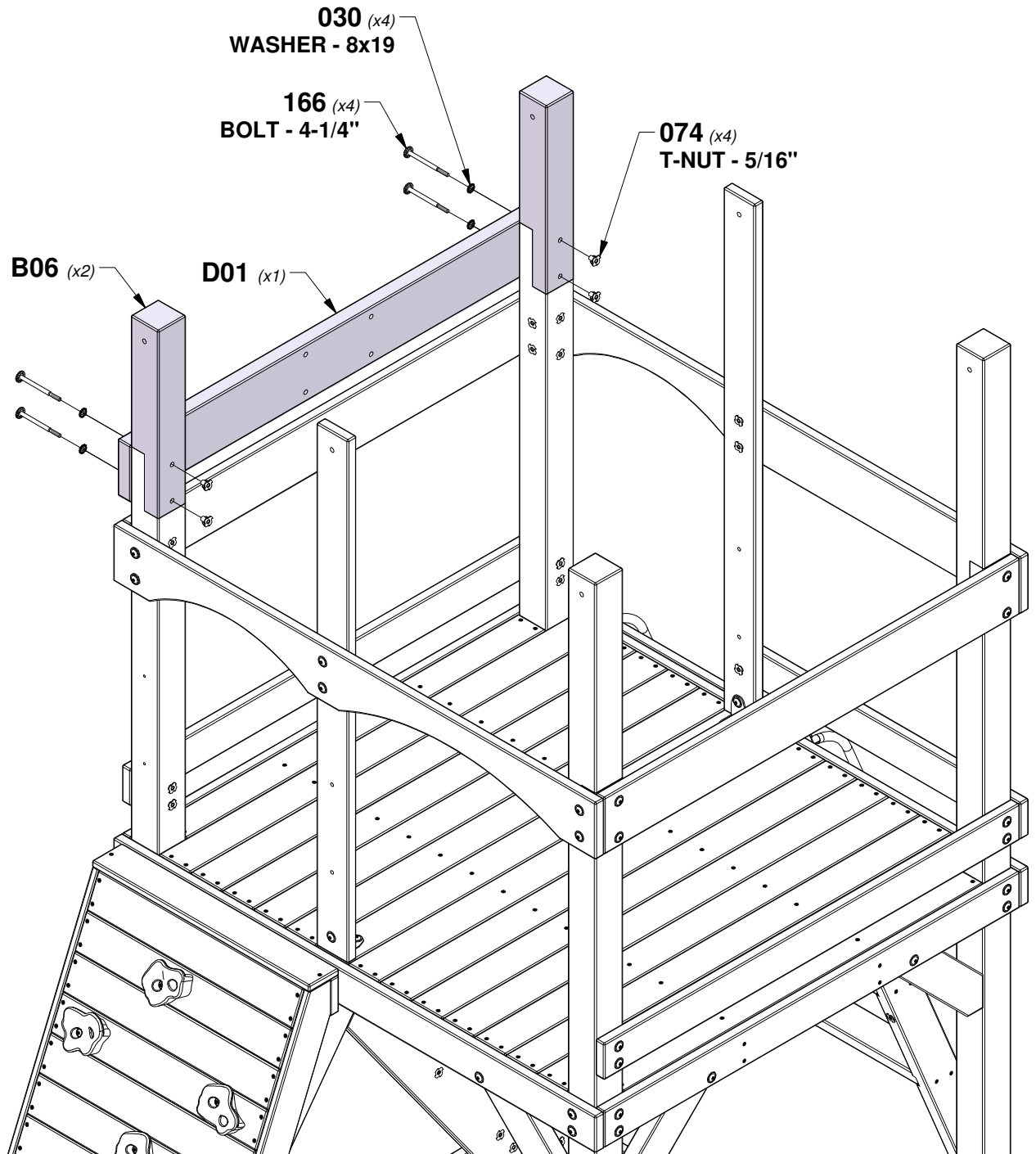


B06 UPRIGHT - W4L16140
(x2) 3"x3"x17 1/2" (76x76x445)



D01 WALL RAIL - W4L16166
(x1) 1 3/8"x5 1/4"x44 7/8" (36x134x1141)

TIP:
INSTALL T-NUTS IN WOOD FIRST



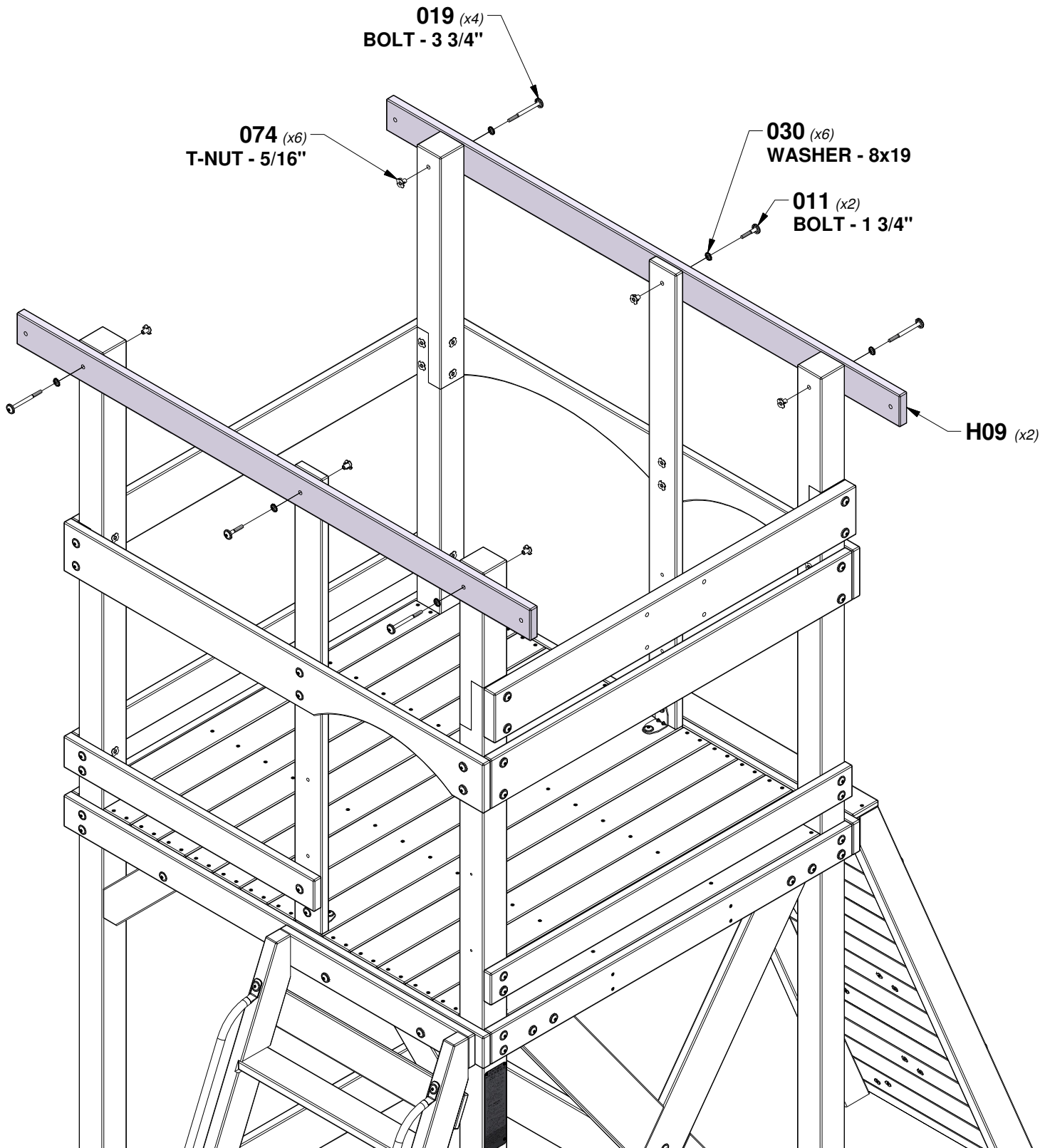
STEP 23 - FORT ASSEMBLY

QTY	PART NUMBER	DESCRIPTION
2	H100011	BOLT WH 5/16x1 3/4
4	H100019	BOLT WH 5/16x3 3/4
6	H100030	WASHER LOCK EXT 8x19
6	H100074	T-NUT 5/16



H09 ROOF RAIL - W4L16145
(x2) 1"x3 3/8"x63 3/4" (24x86x1620)

TIP:
INSTALL T-NUTS IN WOOD FIRST

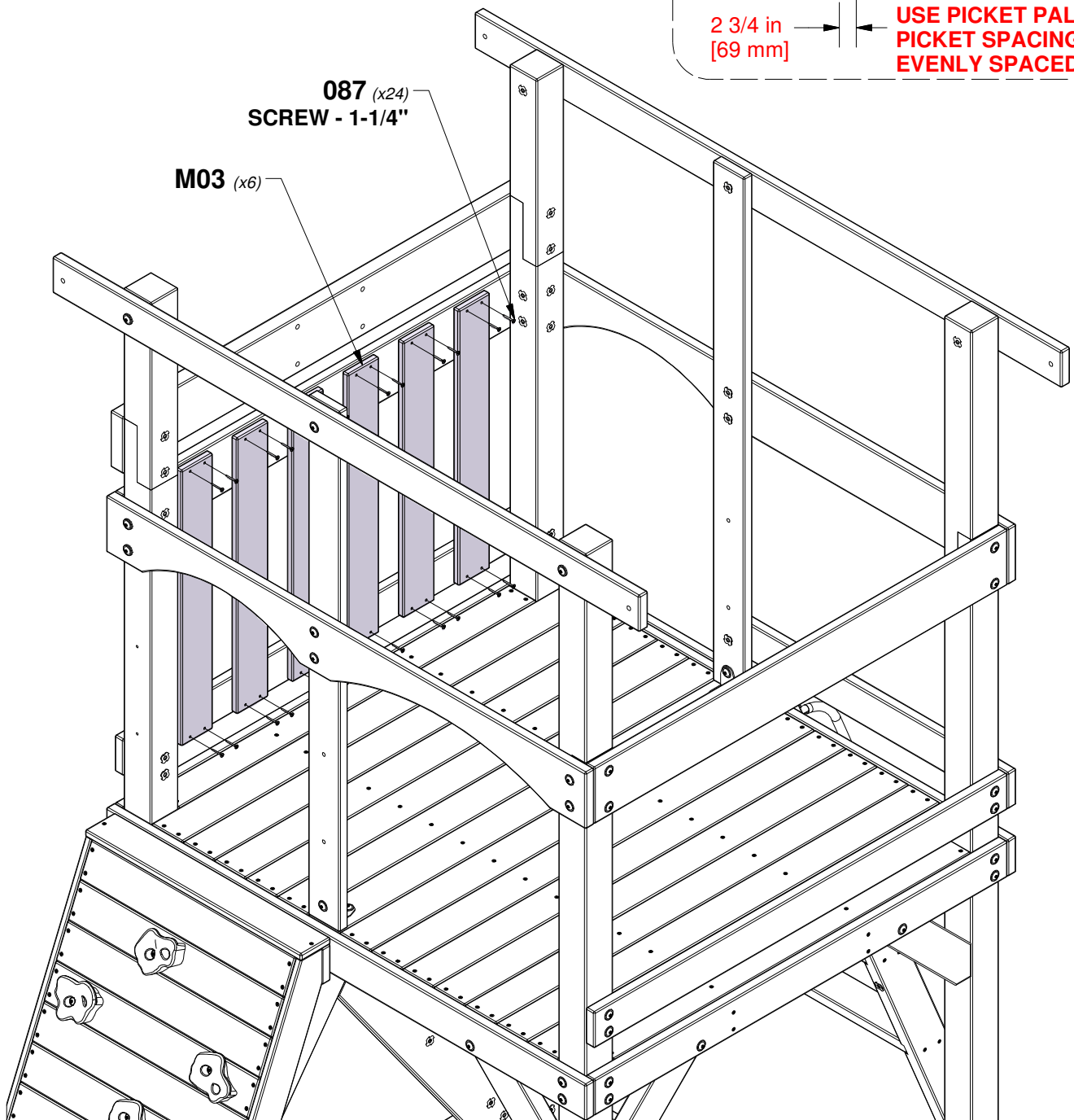
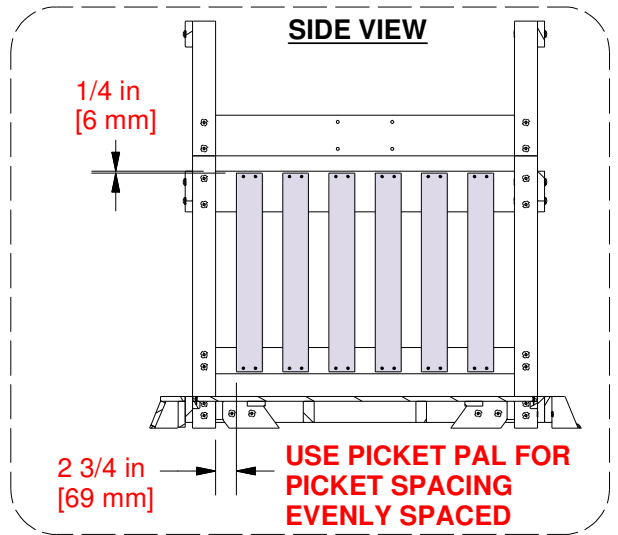


STEP 24 - FORT ASSEMBLY

QTY	PART NUMBER	DESCRIPTION
24	H100087	SCREW PFH 8x1-1/4"



M03 PICKET - W4L16146
 (x6) 5/8"x3 3/8"x25 7/8" (16x86x657)

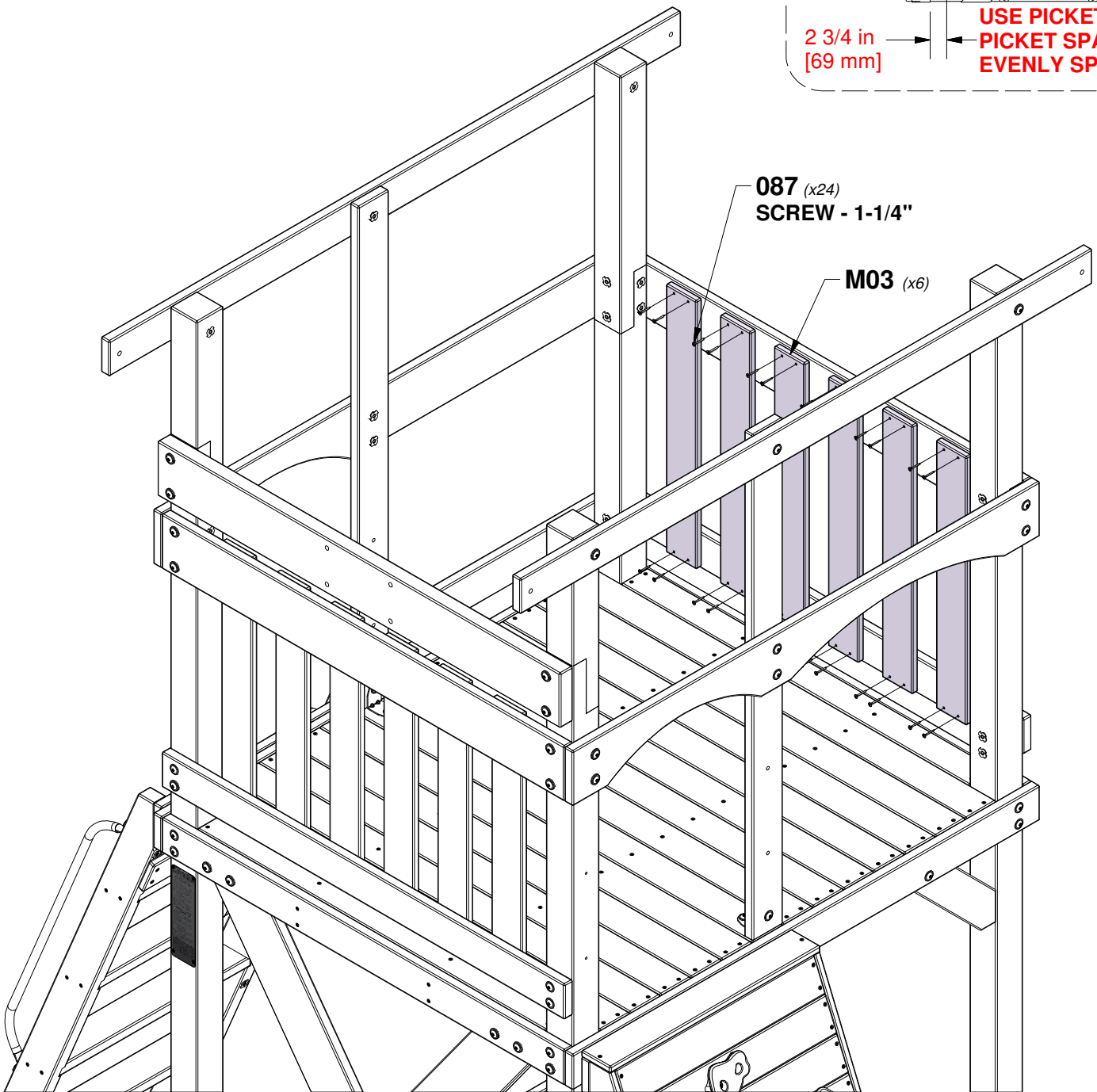
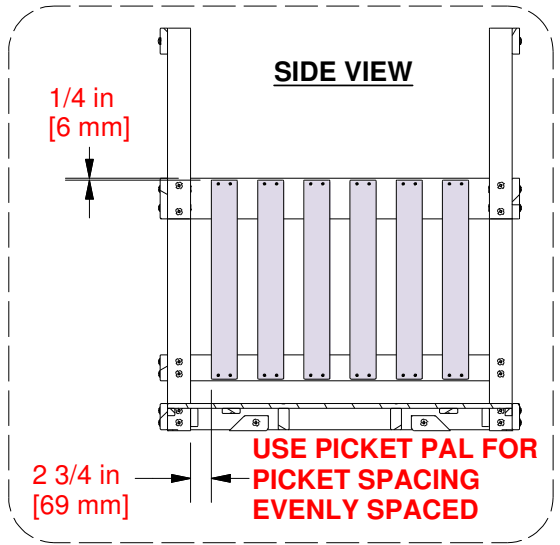


STEP 25 - FORT ASSEMBLY

QTY	PART NUMBER	DESCRIPTION
24	H100087	SCREW PFH 8x1-1/4"



M03 PICKET - W4L16146
(x6) 5/8"x3 3/8"x25 7/8" (16x86x657)

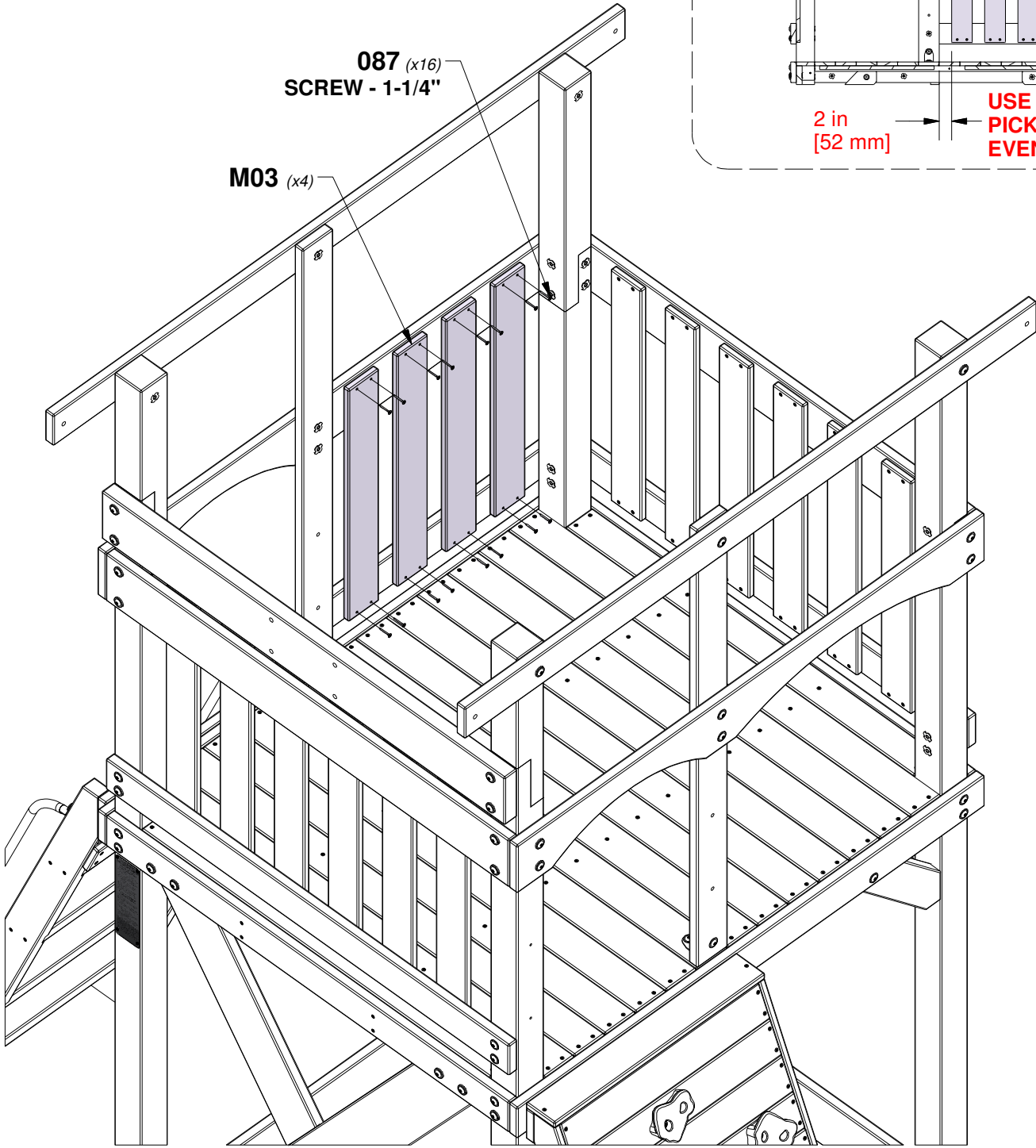
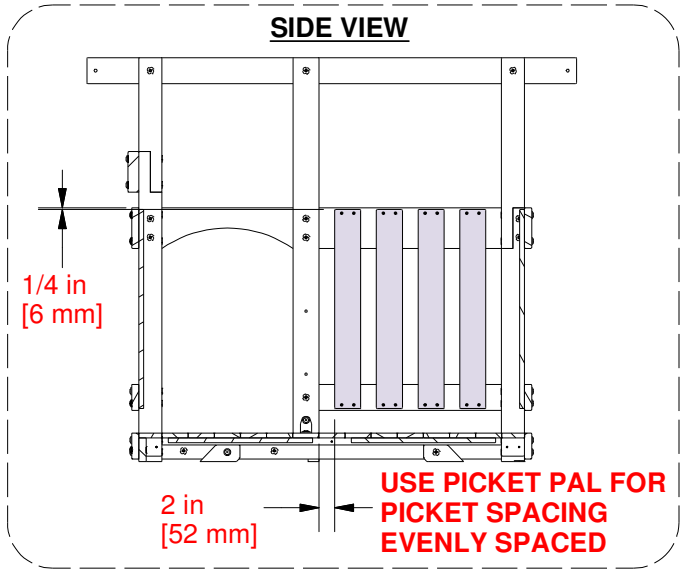


STEP 26 - FORT ASSEMBLY

QTY	PART NUMBER	DESCRIPTION
16	H100087	SCREW PFH 8x1-1/4"



M03 PICKET - W4L16146
 (x4) 5/8"x3 3/8"x25 7/8" (16x86x657)

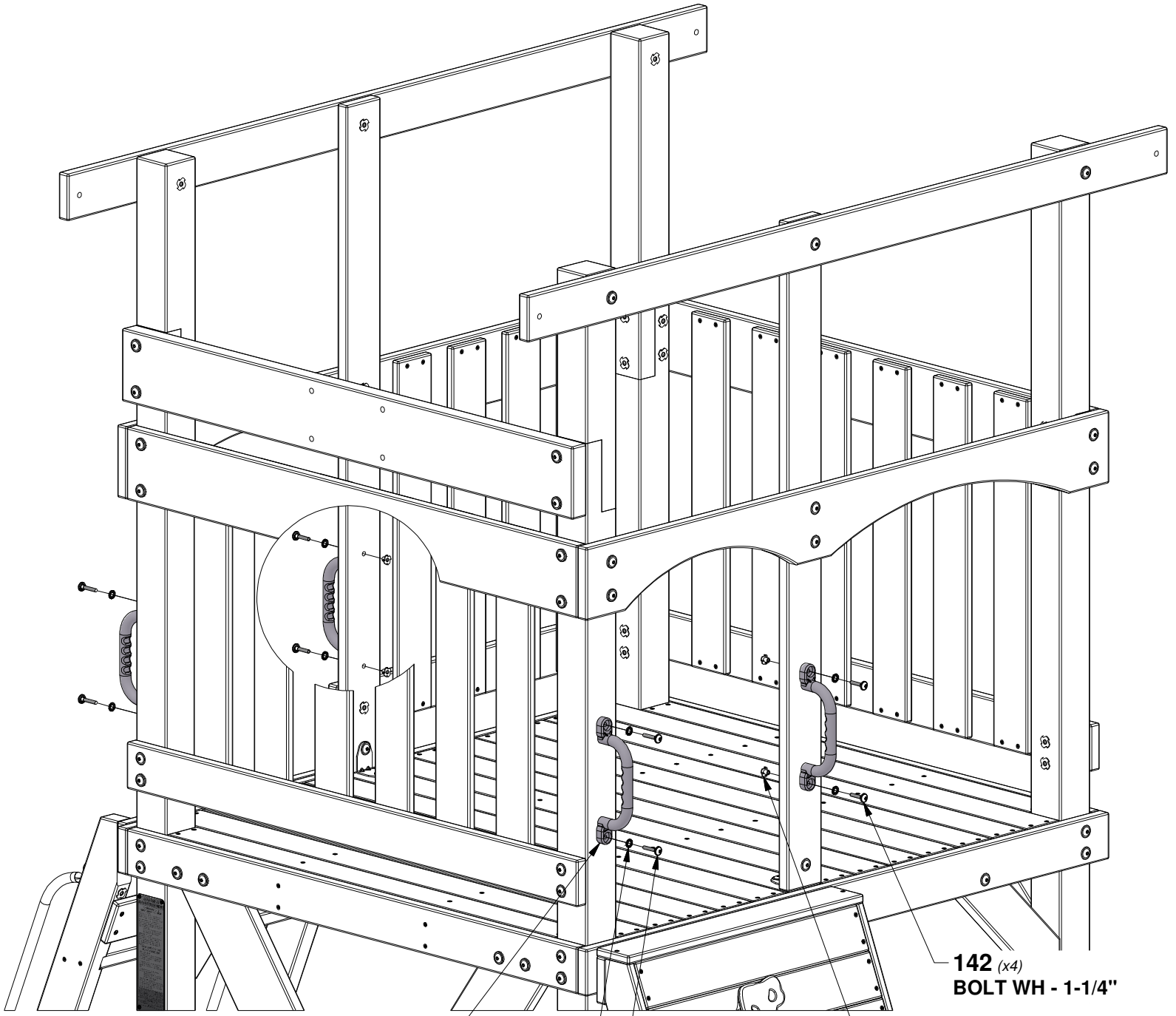


STEP 27 - FORT ASSEMBLY



QTY	PART NUMBER	DESCRIPTION
4	H100072	T-NUT 1/4
8	H100138	WASHER LOCK EXT 6x15
4	H100142	BOLT WH 1/4x1-1/4
4	H100145	LAG SCREW WH 1/4x1-1/2

TIP:
INSTALL T-NUTS IN WOOD FIRST.



028 (x4)
HAND GRIP GREEN PLASTIC

138 (x8)
WASHER - 6x15

145 (x4)
LAG SCREW - 1 1/2"

072 (x4)
T-NUT - 1/4"

142 (x4)
BOLT WH - 1-1/4"

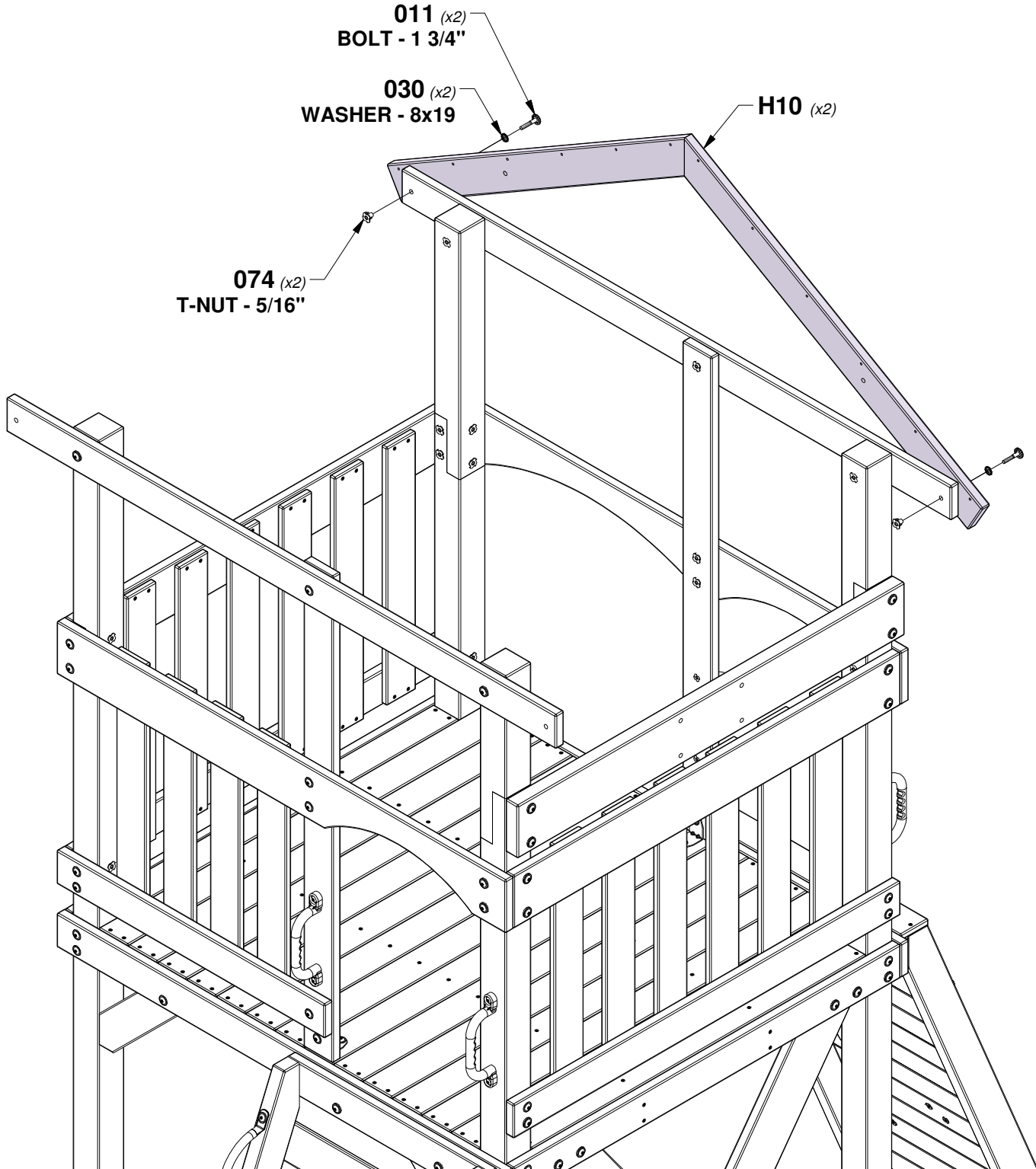
STEP 28 - FORT ASSEMBLY

QTY	PART NUMBER	DESCRIPTION
2	H100011	BOLT WH 5/16x1 3/4
2	H100030	WASHER LOCK EXT 8x19
2	H100074	T-NUT 5/16



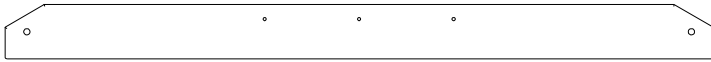
H10 ROOF RAIL - W4L16147
 (x2) 1"x3 3/8"x39 7/8" (24x86x1014)

TIP:
INSTALL T-NUTS IN WOOD FIRST



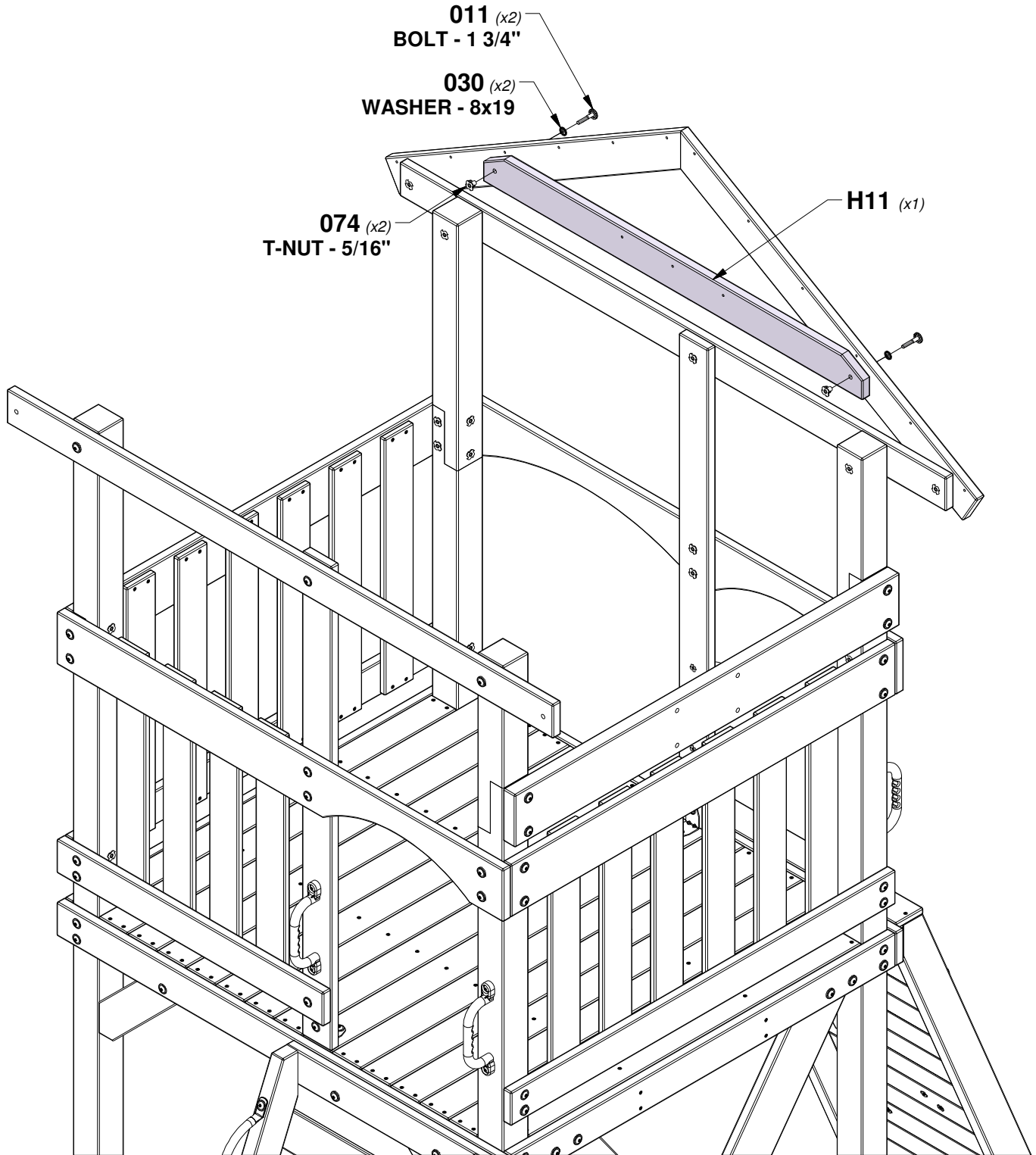
STEP 29 - FORT ASSEMBLY

QTY	PART NUMBER	DESCRIPTION
2	H100011	BOLT WH 5/16x1 3/4
2	H100030	WASHER LOCK EXT 8x19
2	H100074	T-NUT 5/16



H11 GABLE BOARD - W4L16148
 (x1) 1"x3 3/8"x44 1/4" (24x86x1125)

TIP:
INSTALL T-NUTS IN WOOD FIRST



STEP 30 - FORT ASSEMBLY

QTY	PART NUMBER	DESCRIPTION
3	H100086	SCREW PFH 8x1-1/2"
9	H100380	SCREW PFH 8x1 1/8 BLK

K01 TRIANGLE SUNBURST - W4L16149
 (x1) 5/8"x5 1/4"x18 1/4" (16x134x464)

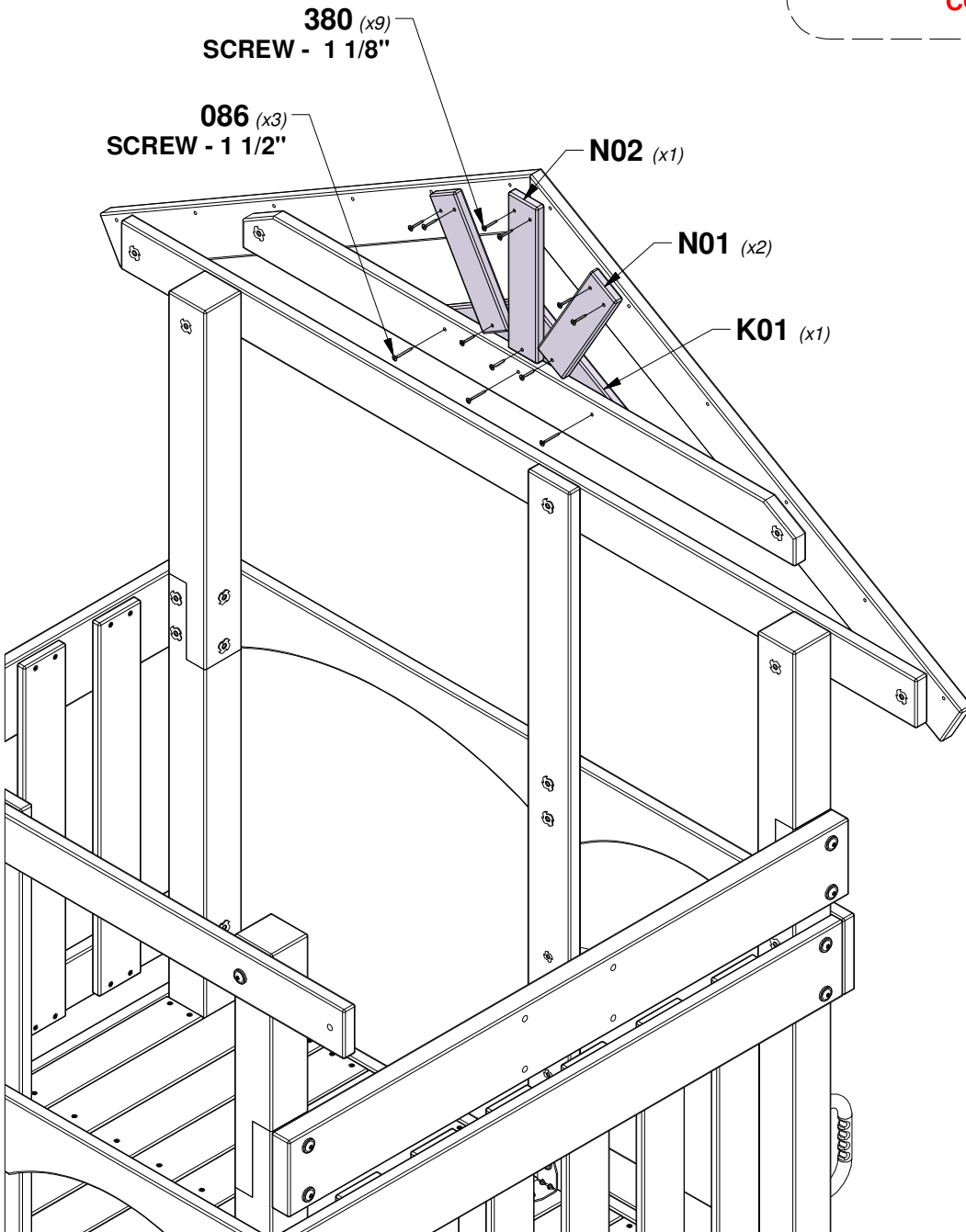
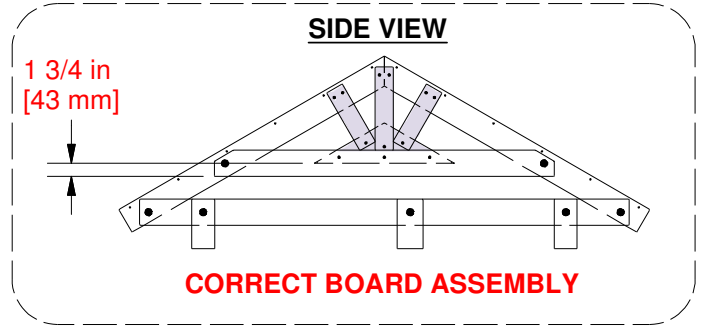


N01 FRONT PORCH GABLE TRIM - W4L16151
 (x2) 5/8"x2 3/8"x8 5/8" (16x60x220)



N02 FRONT PORCH GABLE TRIM - W4L16150
 (x1) 5/8"x2 3/8"x10 7/8" (16x60x275)

NOTE:
INSTALL K01 FIRST



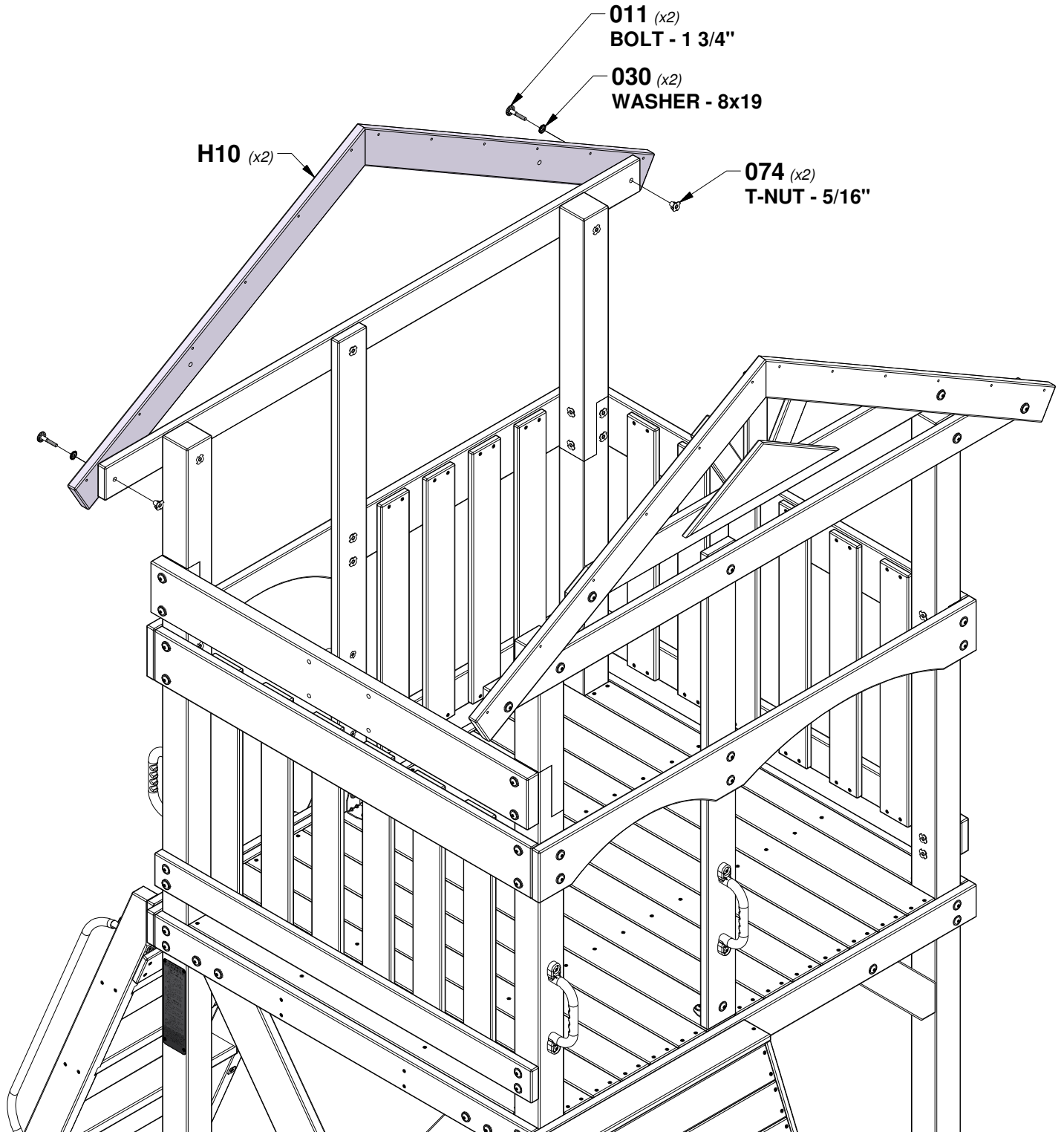
STEP 31 - FORT ASSEMBLY



H10 ROOF RAIL - W4L16147
 (x2) 1"x3 3/8"x39 7/8" (24x86x1014)

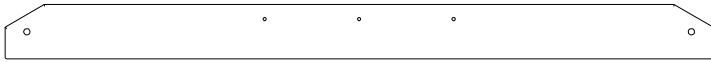
QTY	PART NUMBER	DESCRIPTION
2	H100011	BOLT WH 5/16x1 3/4
2	H100030	WASHER LOCK EXT 8x19
2	H100074	T-NUT 5/16

TIP:
INSTALL T-NUTS IN WOOD FIRST



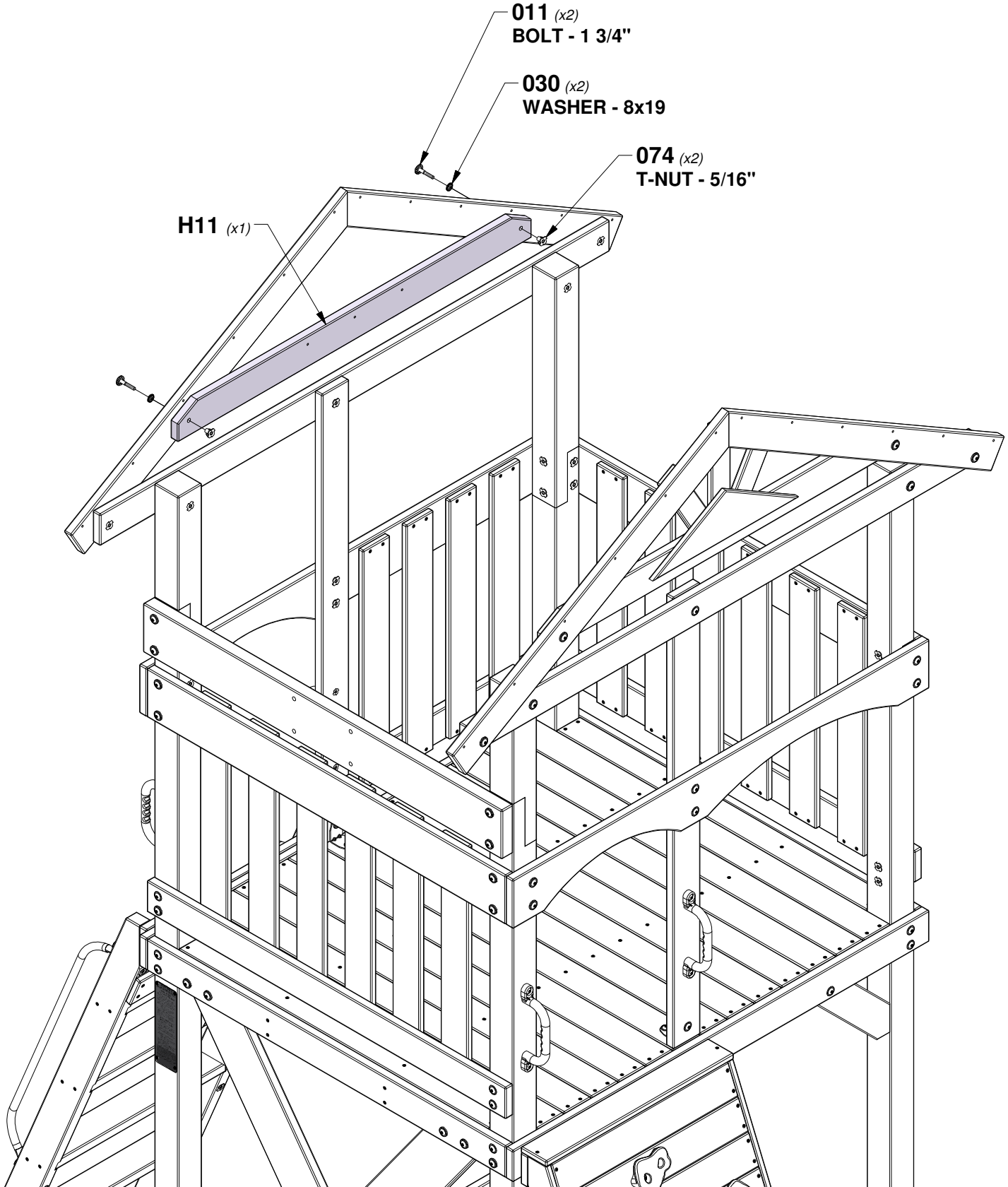
STEP 32 - FORT ASSEMBLY

QTY	PART NUMBER	DESCRIPTION
2	H100011	BOLT WH 5/16x1 3/4
2	H100030	WASHER LOCK EXT 8x19
2	H100074	T-NUT 5/16



H11 GABLE BOARD - W4L16148
(x1) 1"x3 3/8"x44 1/4" (24x86x1125)

TIP:
INSTALL T-NUTS IN WOOD FIRST



STEP 33 - FORT ASSEMBLY

QTY	PART NUMBER	DESCRIPTION
3	H100086	SCREW PFH 8x1-1/2"
9	H100380	SCREW PFH 8x1 1/8 BLK

K01 TRIANGLE SUNBURST - W4L16149
 (x1) 5/8"x5 1/4"x18 1/4" (16x134x464)

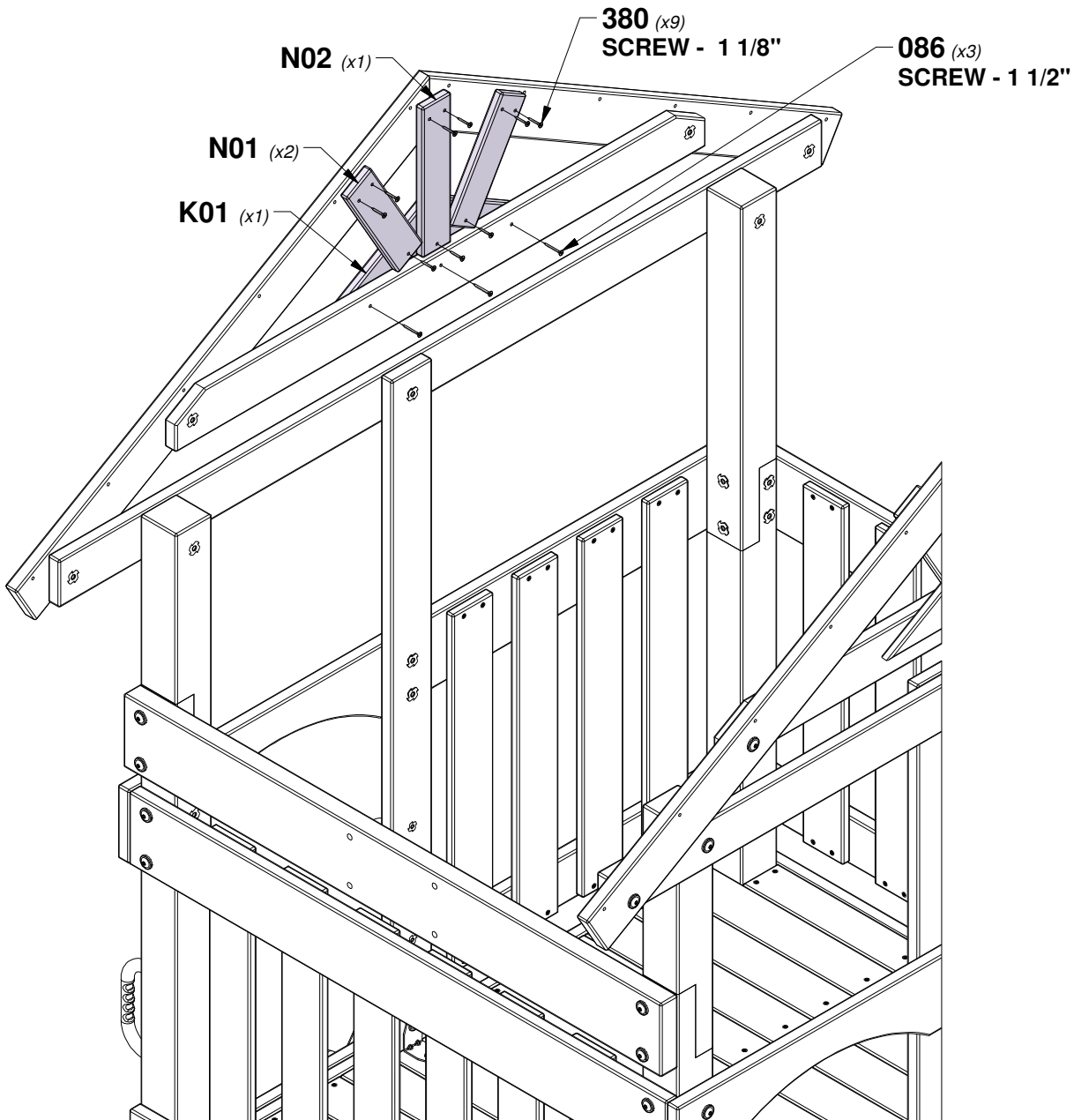
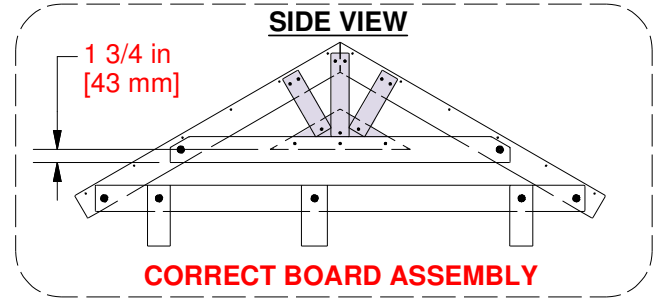


N01 FRONT PORCH GABLE TRIM - W4L16151
 (x2) 5/8"x2 3/8"x8 5/8" (16x60x220)



N02 FRONT PORCH GABLE TRIM - W4L16150
 (x1) 5/8"x2 3/8"x10 7/8" (16x60x275)

NOTE:
INSTALL K01 FIRST

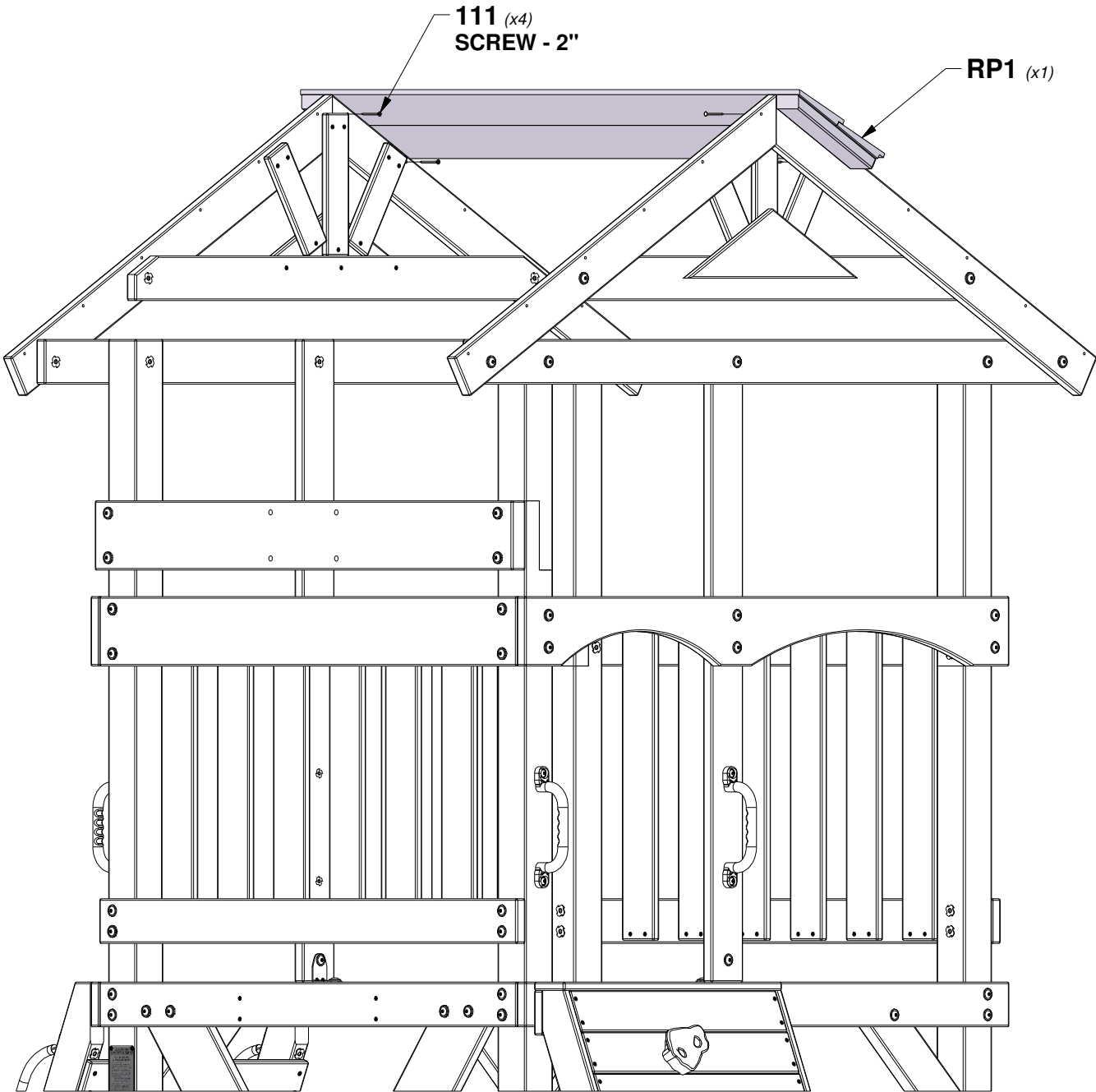
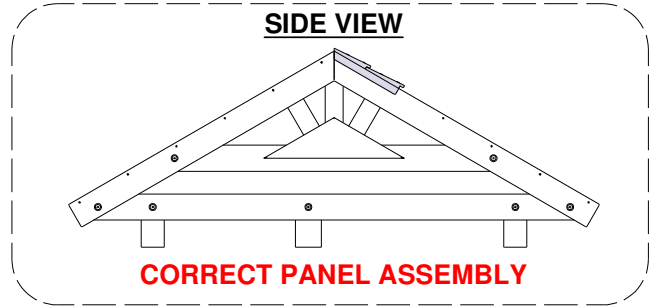


STEP 34 - FORT ASSEMBLY

QTY	PART NUMBER	DESCRIPTION
4	H100111	SCREW PFH 8x2



RP1 ROOF PANEL - W2A03407
 (x1) 1 5/8"x10 3/8"x53 3/4" (42x264x1364)

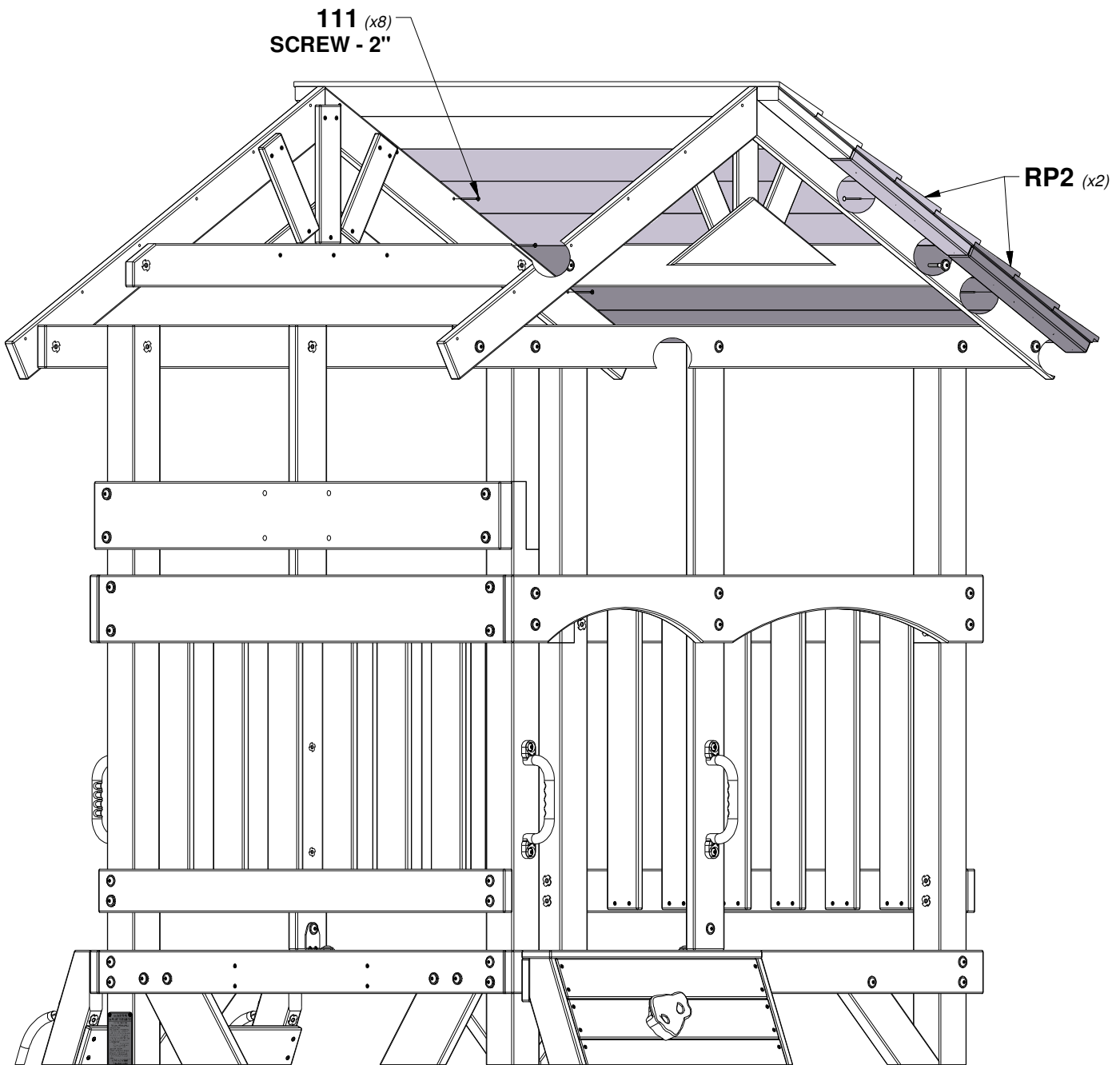
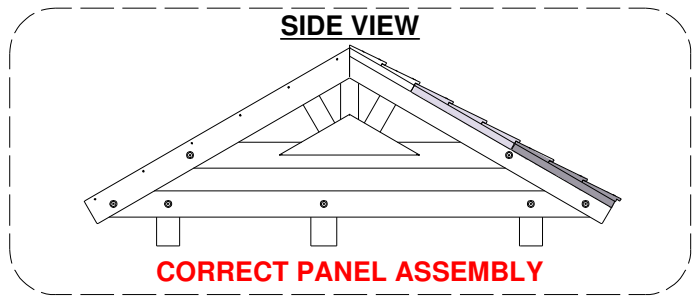


STEP 35 - FORT ASSEMBLY

QTY	PART NUMBER	DESCRIPTION
8	H100111	SCREW PFH 8x2

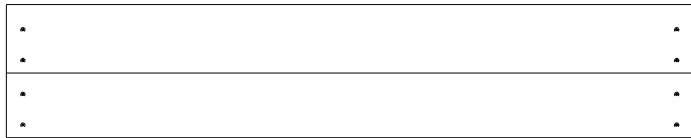
.	.
.	.
.	.
.	.
.	.

RP2 ROOF PANEL - W2A03408
 (x2) 1 5/8"x15 5/8"x59" (42x396x1364)

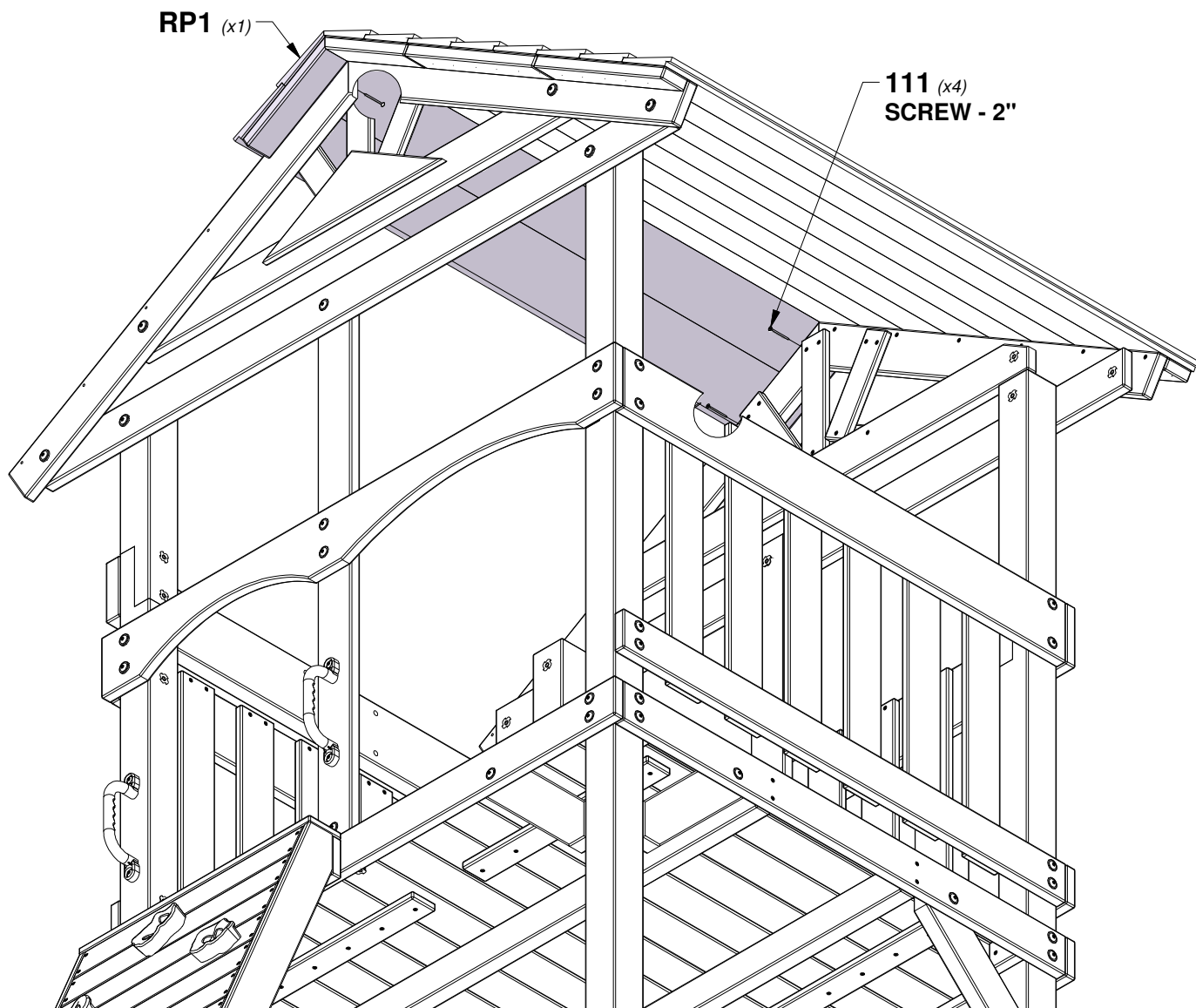
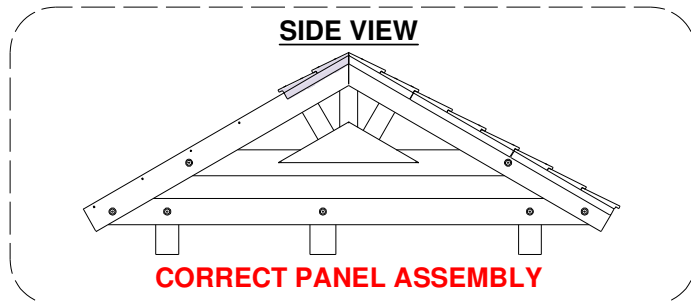


STEP 36 - FORT ASSEMBLY

QTY	PART NUMBER	DESCRIPTION
4	H100111	SCREW PFH 8x2



RP1 ROOF PANEL - W2A03407
(x1) 1 5/8"x10 3/8"x53 3/4" (42x264x1364)

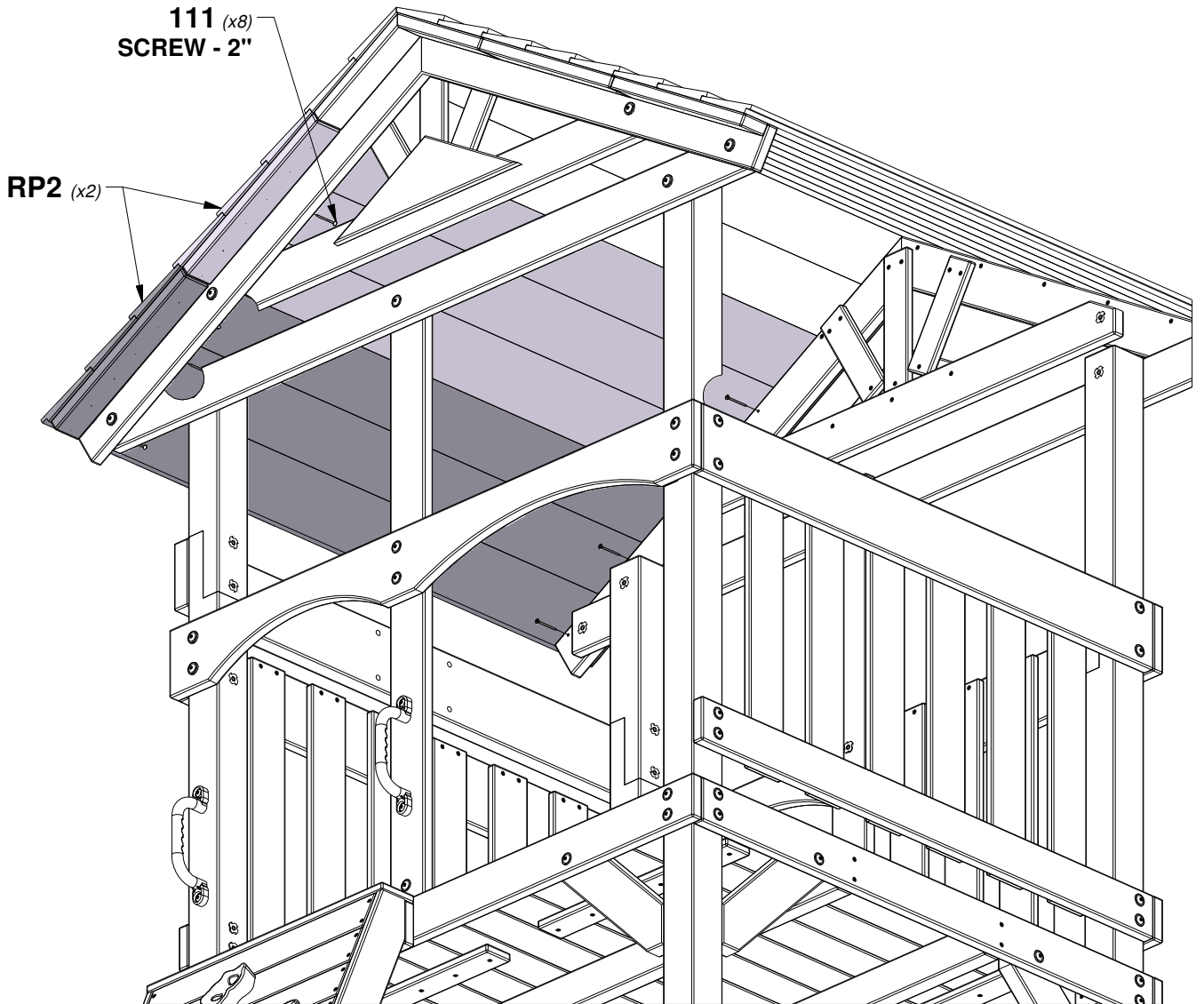
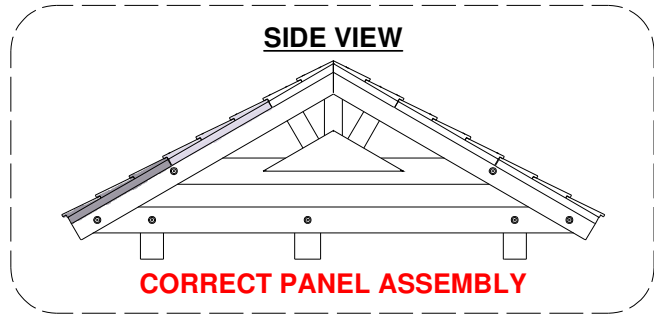


STEP 37 - FORT ASSEMBLY

QTY	PART NUMBER	DESCRIPTION
8	H100111	SCREW PFH 8x2

.	.
.	.
.	.
.	.
.	.

RP2 ROOF PANEL - W2A03408
 (x2) 1 5/8"x15 5/8"x59" (42x396x1364)



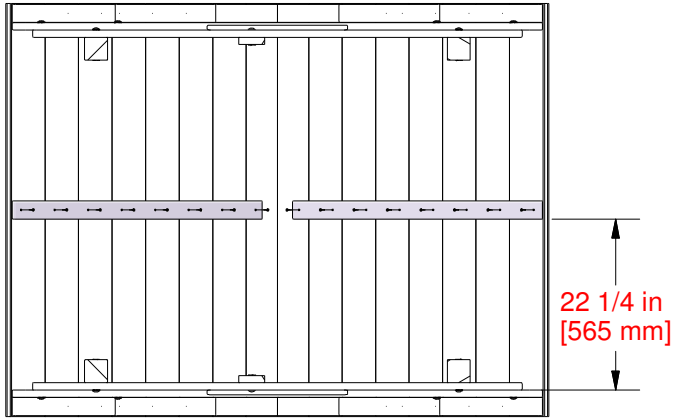
STEP 38 - FORT ASSEMBLY

QTY	PART NUMBER	DESCRIPTION
16	H100380	SCREW PFH 8x1 1/8 BLK



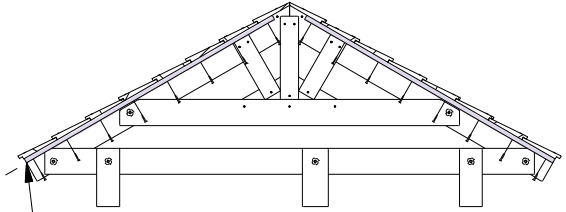
N03 ROOF CLEAT - W4L16172
 (x2) 5/8"x2 3/8"x37 3/8" (16x60x948)

BOTTOM VIEW

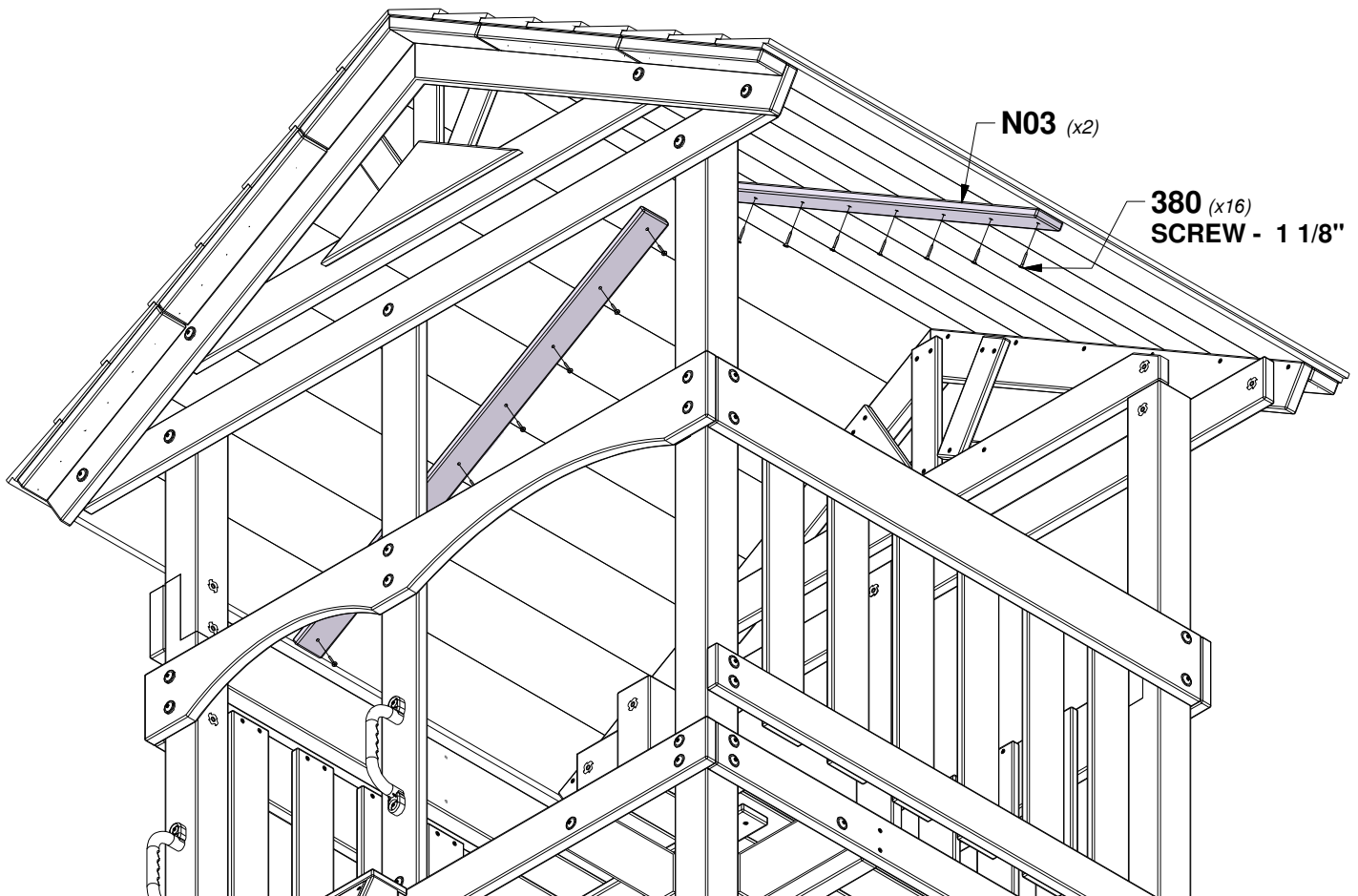


CORRECT BOARD ASSEMBLY

FRONT VIEW

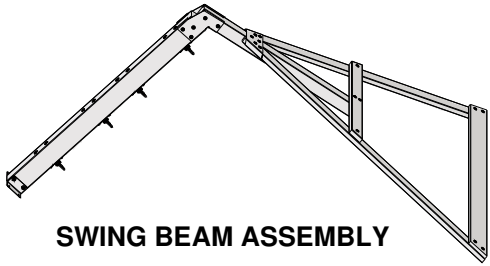


FLUSH (N03) WITH END OF ROOF PANEL



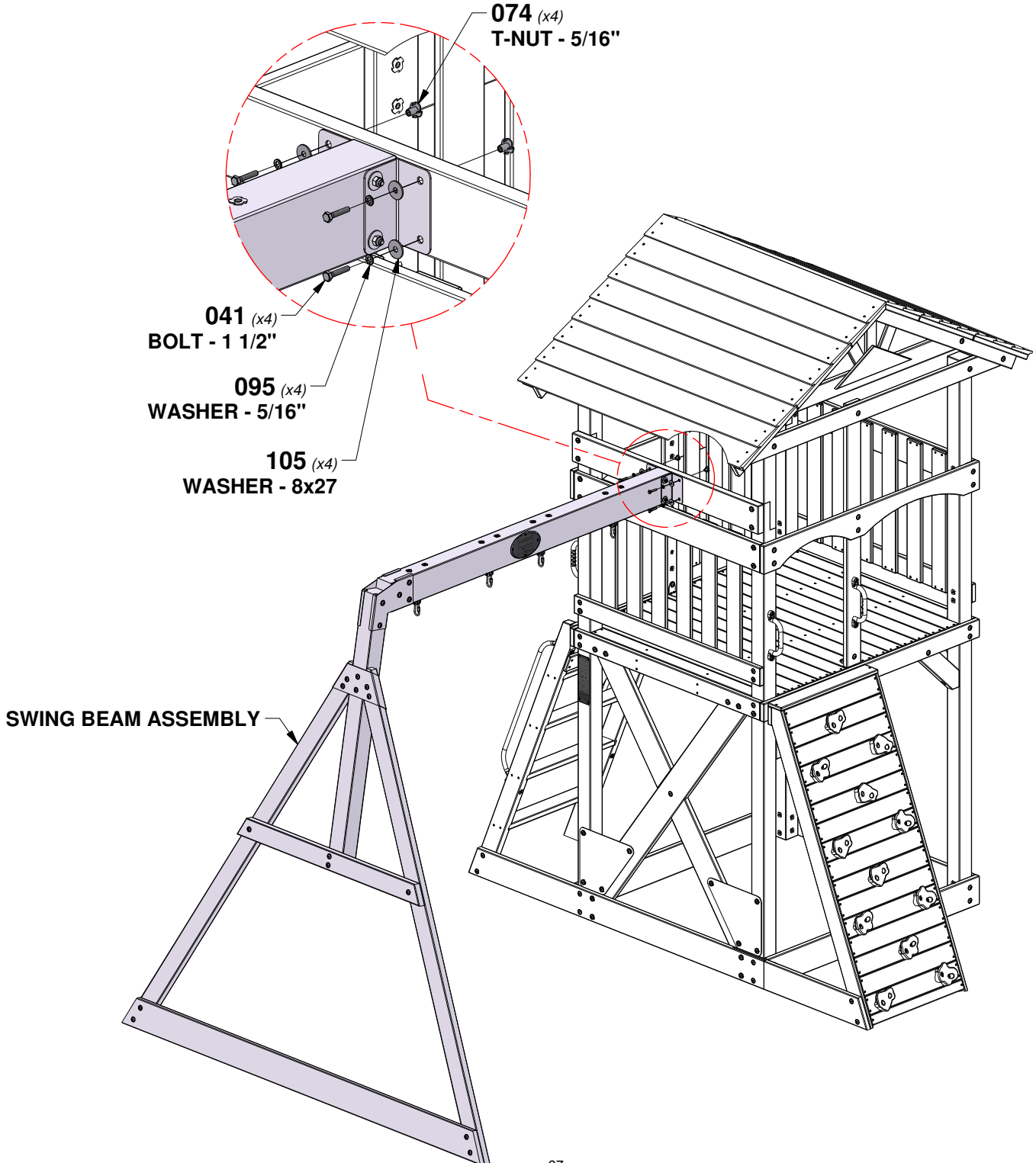
STEP 39 - FORT ASSEMBLY

QTY	PART NUMBER	DESCRIPTION
4	H100041	BOLT HEX 5/16x1-1/2
4	H100074	T-NUT 5/16
4	H100095	WASHER SPLIT 5/16
4	H100105	WASHER FLAT 8x27



SWING BEAM ASSEMBLY

TIP:
INSTALL T-NUTS IN WOOD FIRST

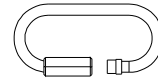


SWING BEAM ASSEMBLY

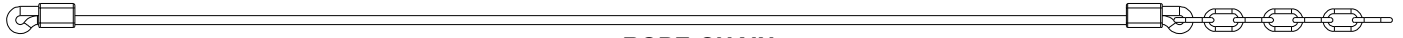
STEP 40 - FORT ASSEMBLY



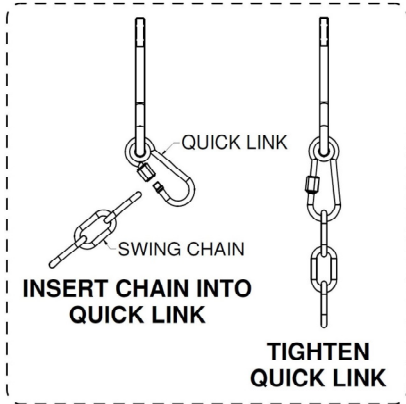
**A6P00054 SWING SEAT
GREEN 22"**
(x2)



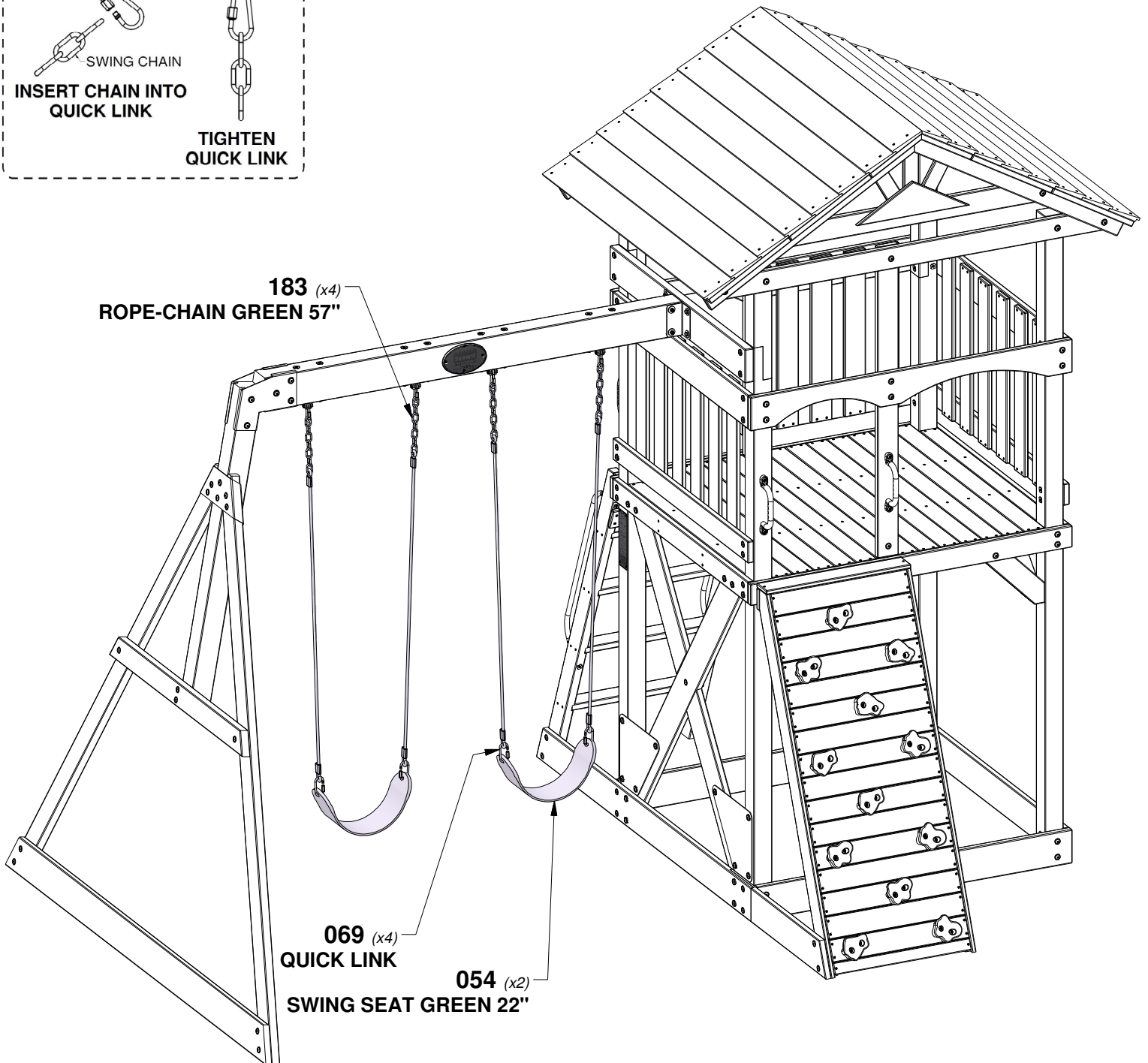
A100069 QUICK LINK
(x4)



**A100183 ROPE-CHAIN
GREEN 57"**
(x4)



**NOTE:
WHEN HANGING YOUR SWINGS, IT IS REQUIRED TO ONLY TRIM AROUND THE
SPECIFIC CHAIN LOOP THAT ALLOWS THE BOTTOM OF THE SWING SEAT, (WHEN
SITTING ON IT) TO BE NO LOWER THAN (35CM) 13 7/8 INCHES FROM THE GROUND.**



STEP 1 - SLIDE ASSEMBLY

QTY	PART NUMBER	DESCRIPTION
3	H100074	T-NUT 5/16
3	H100115	BOLT WH 5/16x1/2



A6P00385 | SLIDE BED 10' DARK GREEN
(x1)

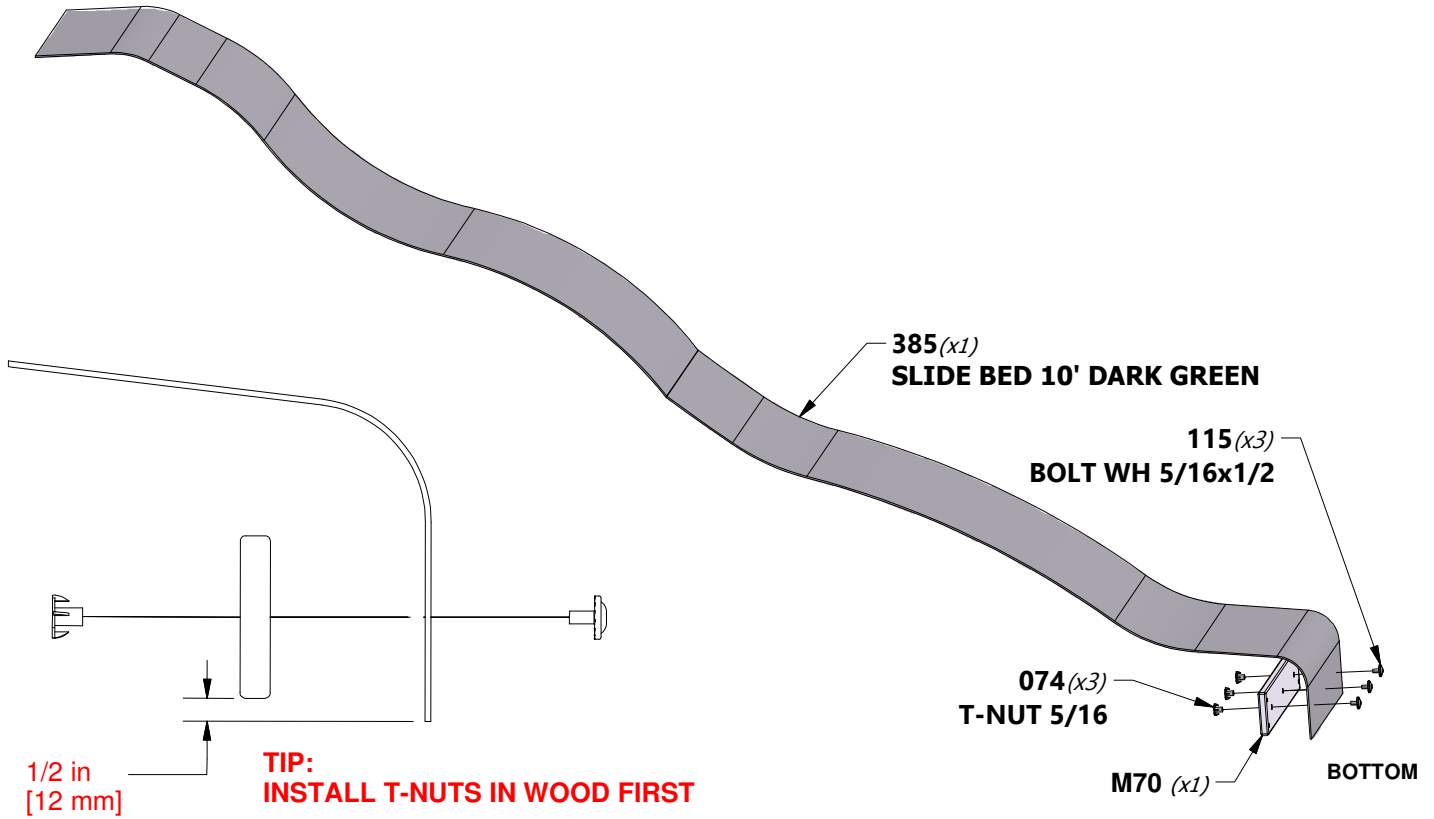


M70 | SLIDE BED SUPPORT - W100935
(x1) | 5/8"x3 3/8"x19 7/8" (16x86x505)

NOTE:

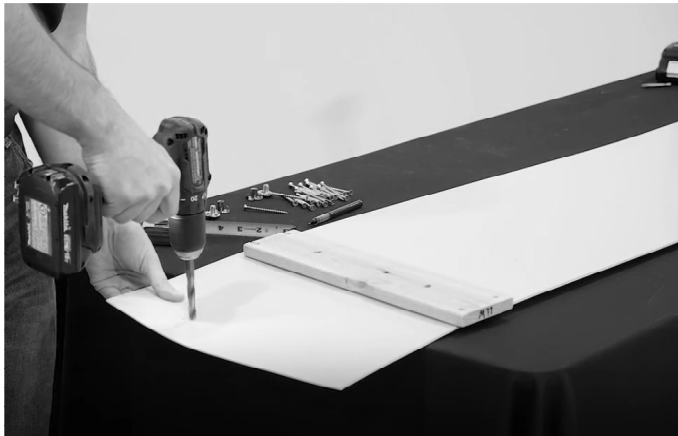
TAKE NOTE OF SLIDE BED SURFACE FINISH, THE DULL SIDE WILL BE TOWARDS THE GROUND. PLACE SLIDE BRACE CENTERED ON THE BOTTOM (DULL SIDE) AND 1/2" FROM THE EDGE. USE M70 BOARD AS A TEMPLATE FOR DRILLING BOTTOM HOLE PATTERN IN SLIDE BED. USE A 5/16" DRILL BIT.

TOP



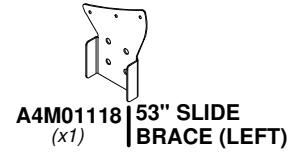
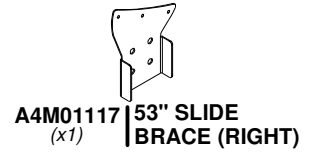
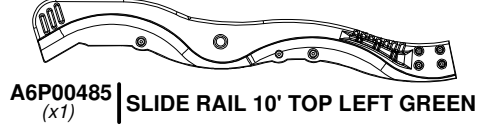
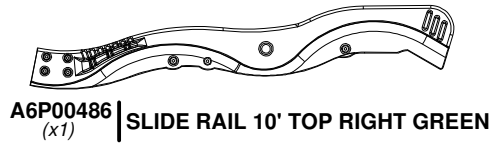
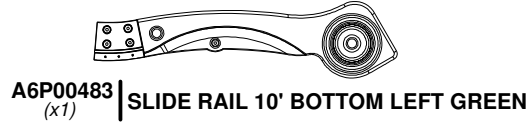
TIP:

PRE-BENDING THE ENDS WILL EASE ASSEMBLY. PLACING THE SLIDE BED OUT IN THE SUN MAKES IT EASIER TO BEND.

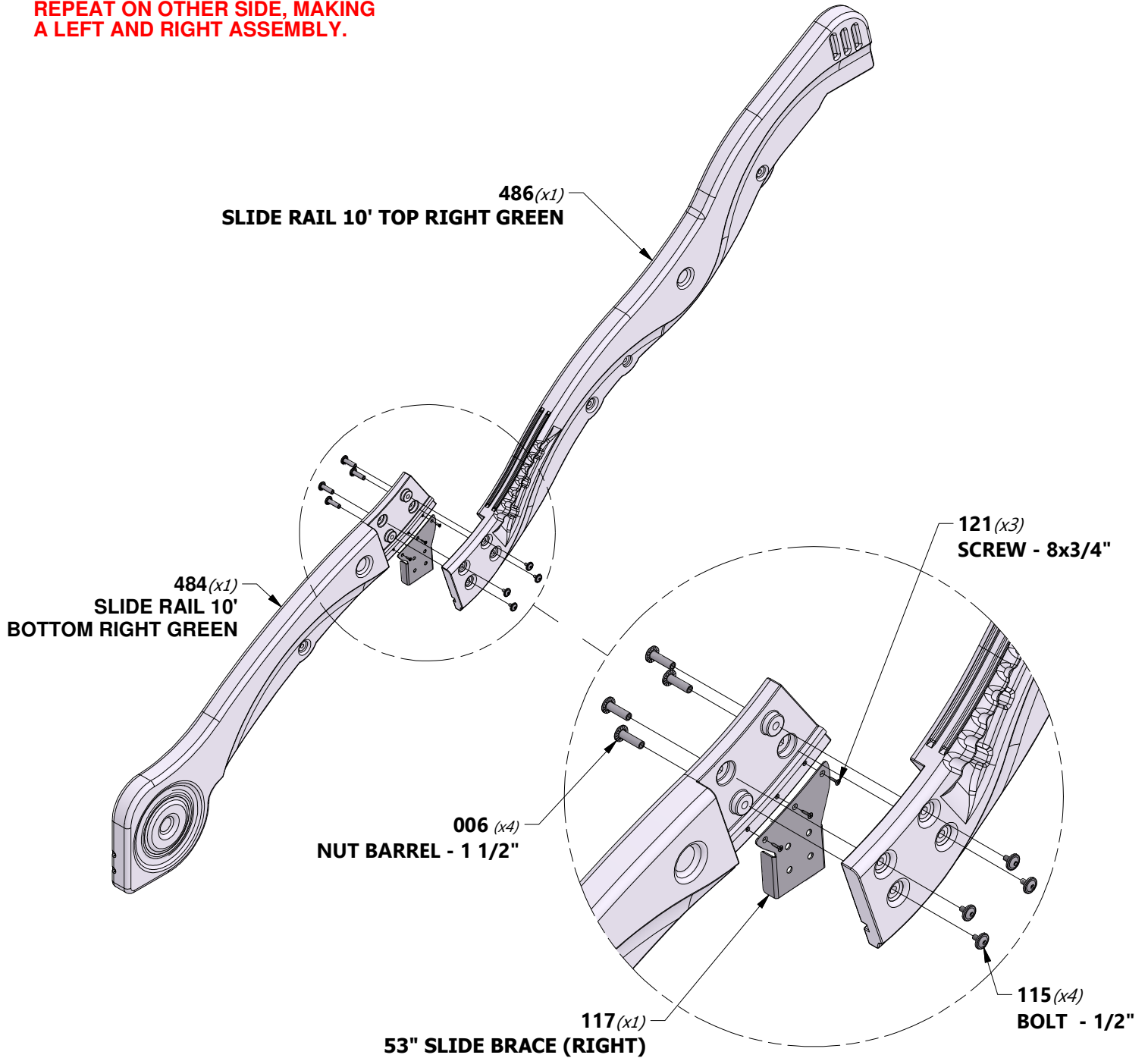


STEP 2 - SLIDE ASSEMBLY

QTY	PART NUMBER	DESCRIPTION
8	H100006	NUT BARREL WH 5/16x1 1/2
8	H100115	BOLT WH 5/16x1/2
6	H100121	SCREW 8x3/4



NOTE:
REPEAT ON OTHER SIDE, MAKING
A LEFT AND RIGHT ASSEMBLY.



STEP 3 - SLIDE ASSEMBLY

QTY	PART NUMBER	DESCRIPTION
4	H100009	BOLT WH 5/16x1 1/4

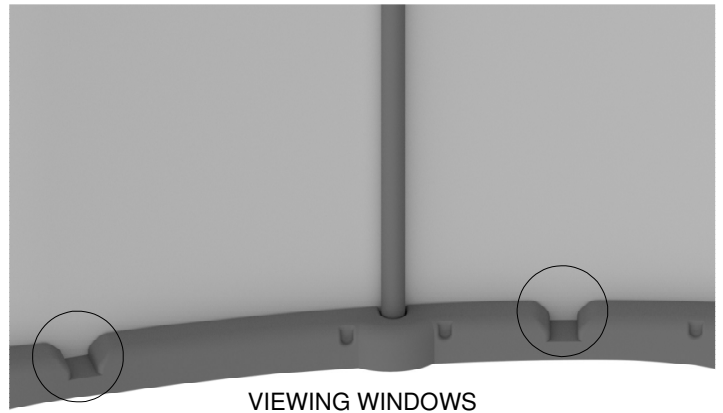
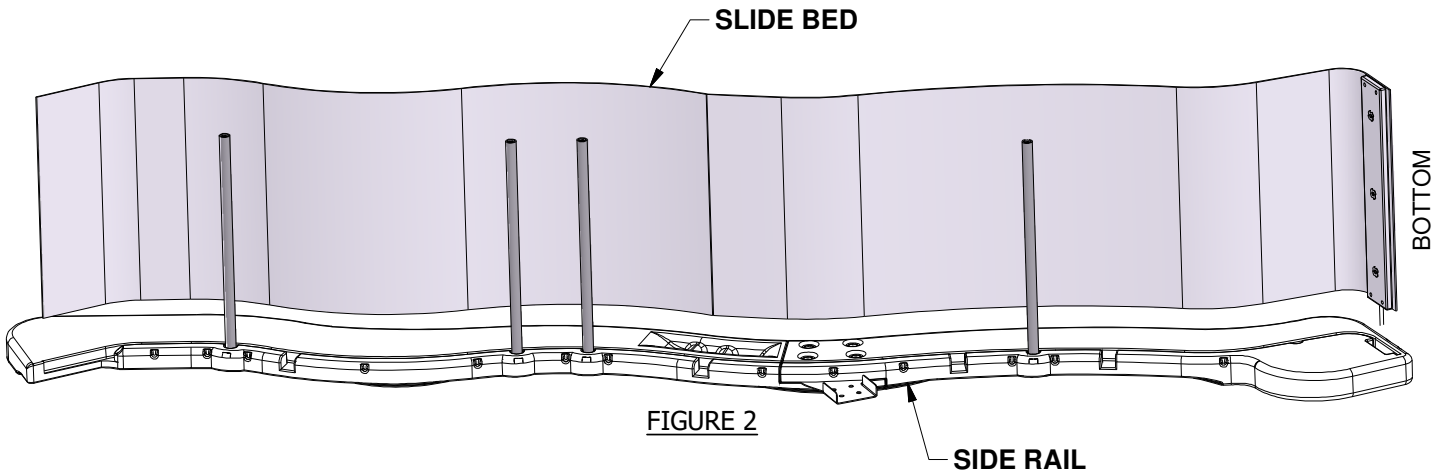
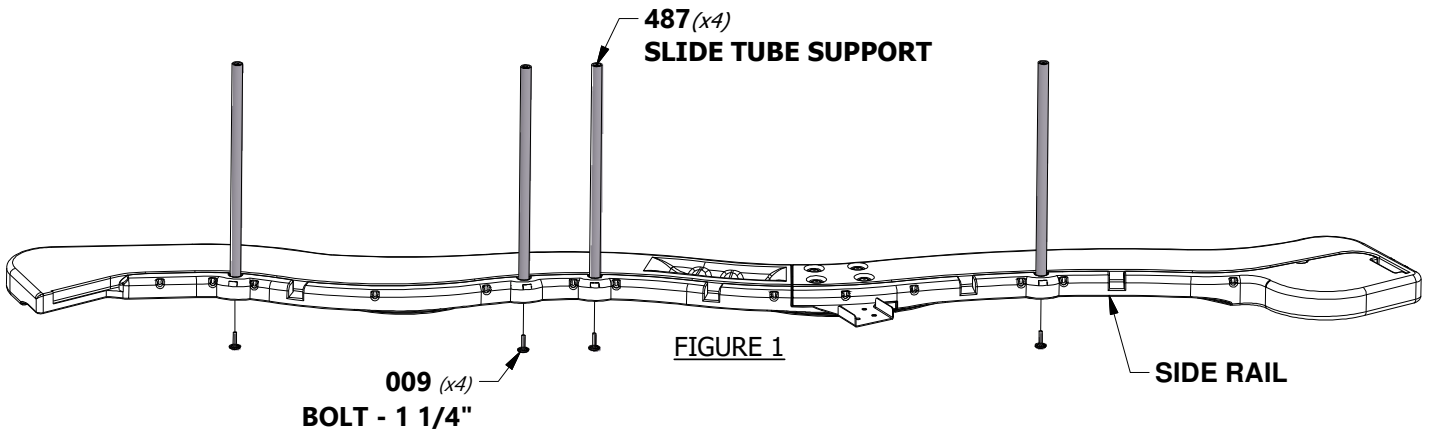


A6P00487
(x4) | SLIDE TUBE SUPPORT

NOTE:
INSERT THE (4) SLIDE SUPPORT TUBES INTO THEIR RESPECTIVE PILOT LOCATIONS (FIGURE 1).

PLACE (1) SLIDE RAIL ASSEMBLY ON A FLAT SURFACE AND BEGIN INSERTING SLIDE BED AT THE BOTTOM OF THE SLIDE RAIL (FIGURE 2). HAVE A HELPER BEND THE SLIDE BED TOWARDS THE TOP OF THE SLIDE AND INSERT THE BED INTO THE SLIDE CAVITY. MAKE SURE SLIDE BED IS INSERTED WITHIN 1/8" (3mm) OF GROOVE BOTTOM.

TIP:
A HELPER IS RECOMMENDED FOR THESE FOLLOWING STEPS.

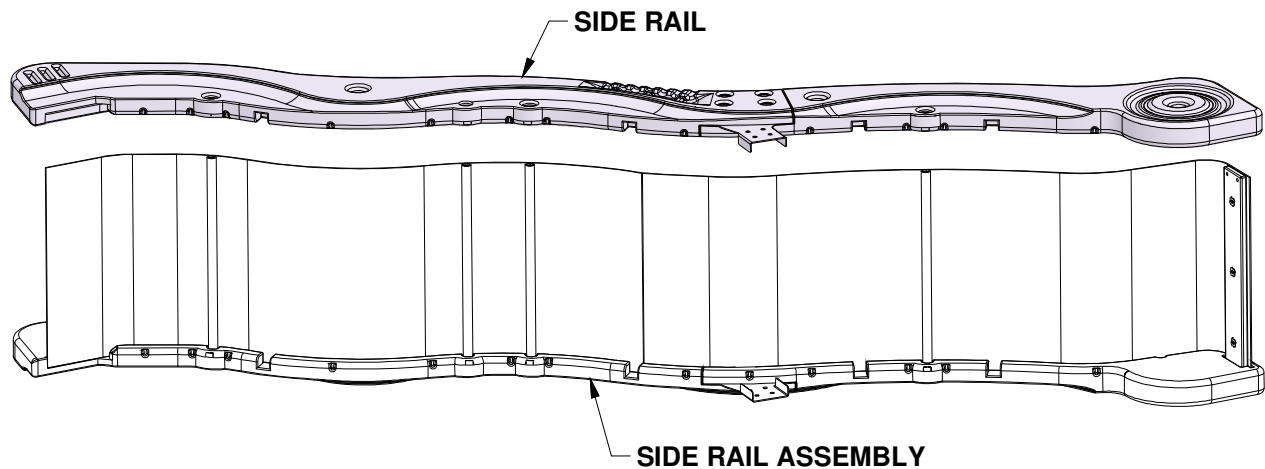


STEP 4 - SLIDE ASSEMBLY

NOTE:
PLACE SECOND SLIDE RAIL ASSEMBLY OVER THE TOP OF THE SLIDE BED AND SLIDE SUPPORT TUBES. INSERT THE SLIDE BED AND SLIDE SUPPORT TUBES INTO THE SLIDE CAVITY. MAKE SURE SLIDE BED IS INSERTED WITHIN 1/8" (3mm) OF GROOVE BOTTOM.



FAILURE TO INSERT SLIDE BED PROPERLY MAY RESULT IN INJURY OR AMPUTATION. EXPOSED SLIDE EDGES CAN BE SHARP AND BECOME A LACERATION HAZARD IF THE SLIDE IS NOT PROPERLY ASSEMBLED.



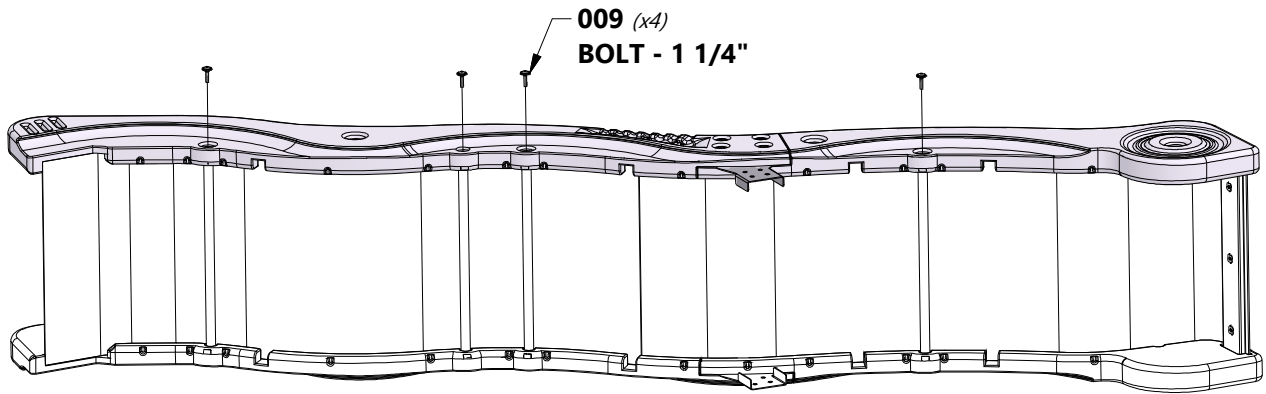
TIP:
USE A RUBBER Mallet TO FULLY SEAT THE SLIDE BED INTO THE SLIDE CAVITY.

STEP 5 - SLIDE ASSEMBLY

QTY	PART NUMBER	DESCRIPTION
4	H100009	BOLT WH 5/16x1 1/4

NOTE:
USE 1 1/4" BOLTS TO FASTEN EACH
SIDE OF THE SLIDE SUPPORT TUBES.

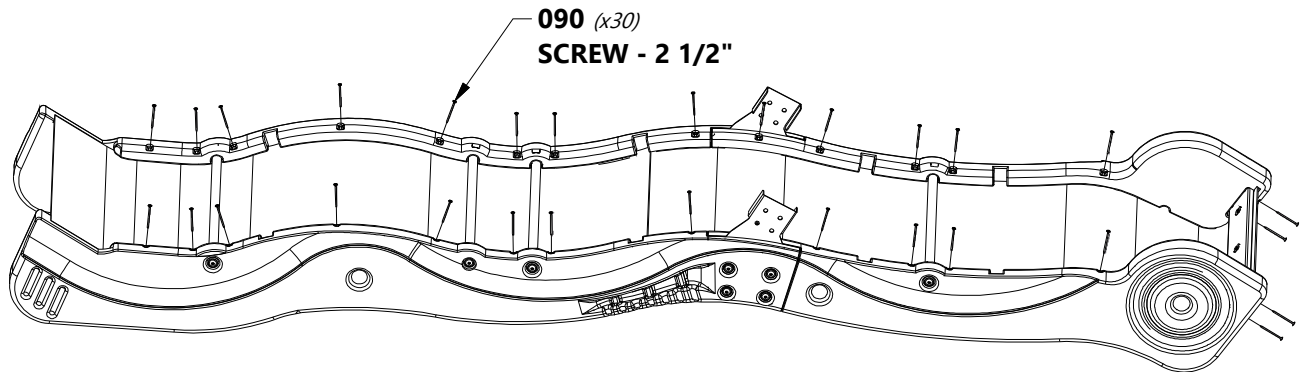
TIP:
HAVING A HELPER HOLD THE SLIDE
ASSEMBLY TOGETHER WHILE YOU FASTEN
WILL MAKE IT EASIER TO ASSEMBLE.



STEP 6 - SLIDE ASSEMBLY

QTY	PART NUMBER	DESCRIPTION
30	H100090	SCREW PFH 8x2 1/2

NOTE:
USING AN 1/8" DRILL BIT, DRILL PILOT HOLES IN EACH INDENTATION ALONG EACH SIDE RAIL. THERE SHOULD BE 15 INDENTATIONS ON EACH RAIL. BE SURE TO DRILL THROUGH THE SLIDE RAIL AND THE SLIDE BED. THEN SECURE WITH THE PROVIDED HARDWARE.



STEP 7 - SLIDE ASSEMBLY

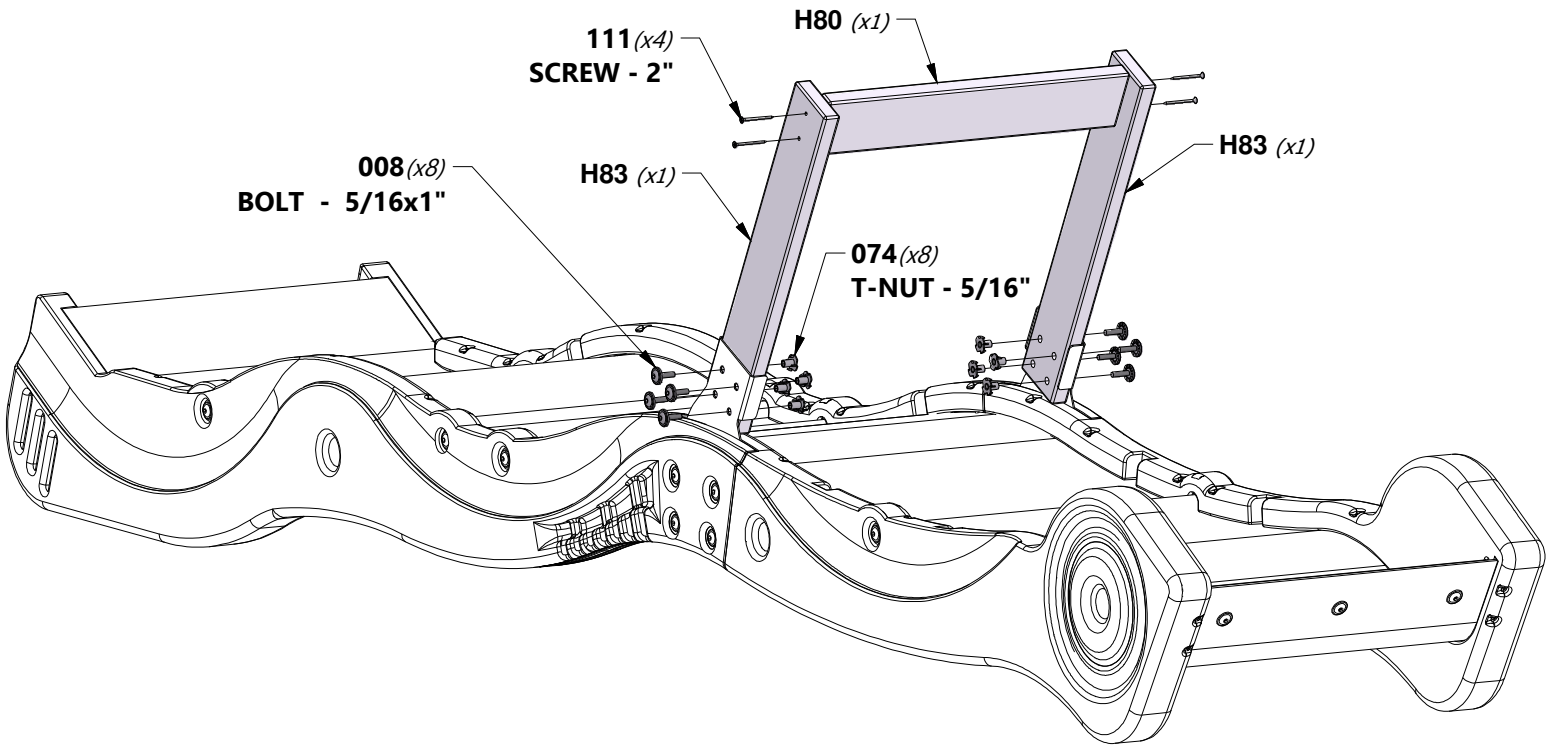
QTY	PART NUMBER	DESCRIPTION
8	H100008	BOLT WH 5/16x1
8	H100074	T-NUT 5/16
4	H100111	SCREW PFH 8x2



H80 | SLIDE BRACE WIDE - W4L15715
(x1) | 1"x3 3/8"x18 3/8" (24x86x466)

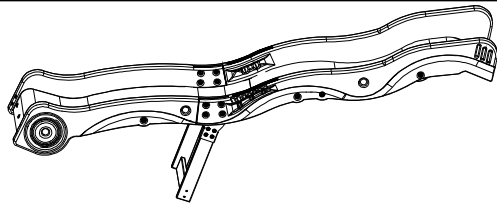


H83 | SLIDE BRACE - W4L13333
(x2) | 1"x3 3/8"x20 1/8" (24x86x512)



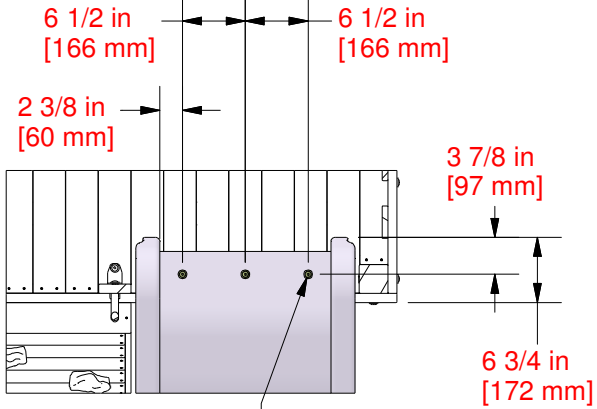
STEP 41 - FORT ASSEMBLY

QTY	PART NUMBER	DESCRIPTION
3	H100115	BOLT WH 5/16x1/2
3	H100074	T-NUT 5/16

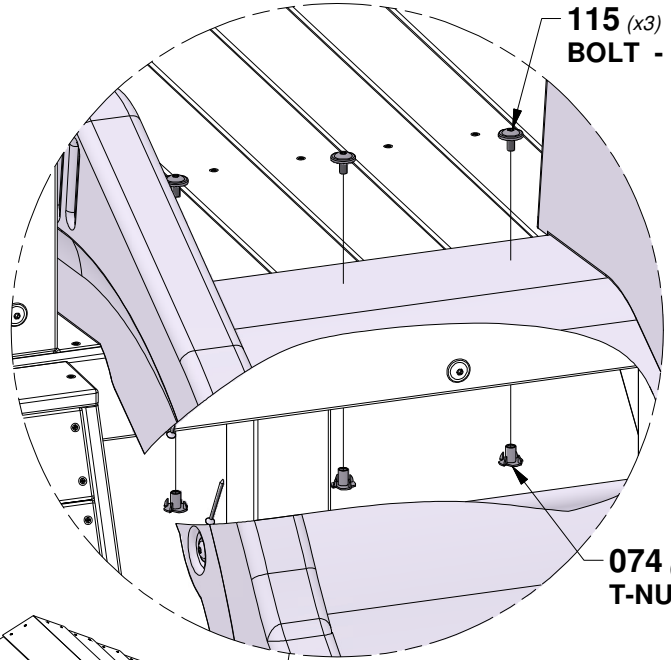


SLIDE ASSEMBLY

TOP VIEW

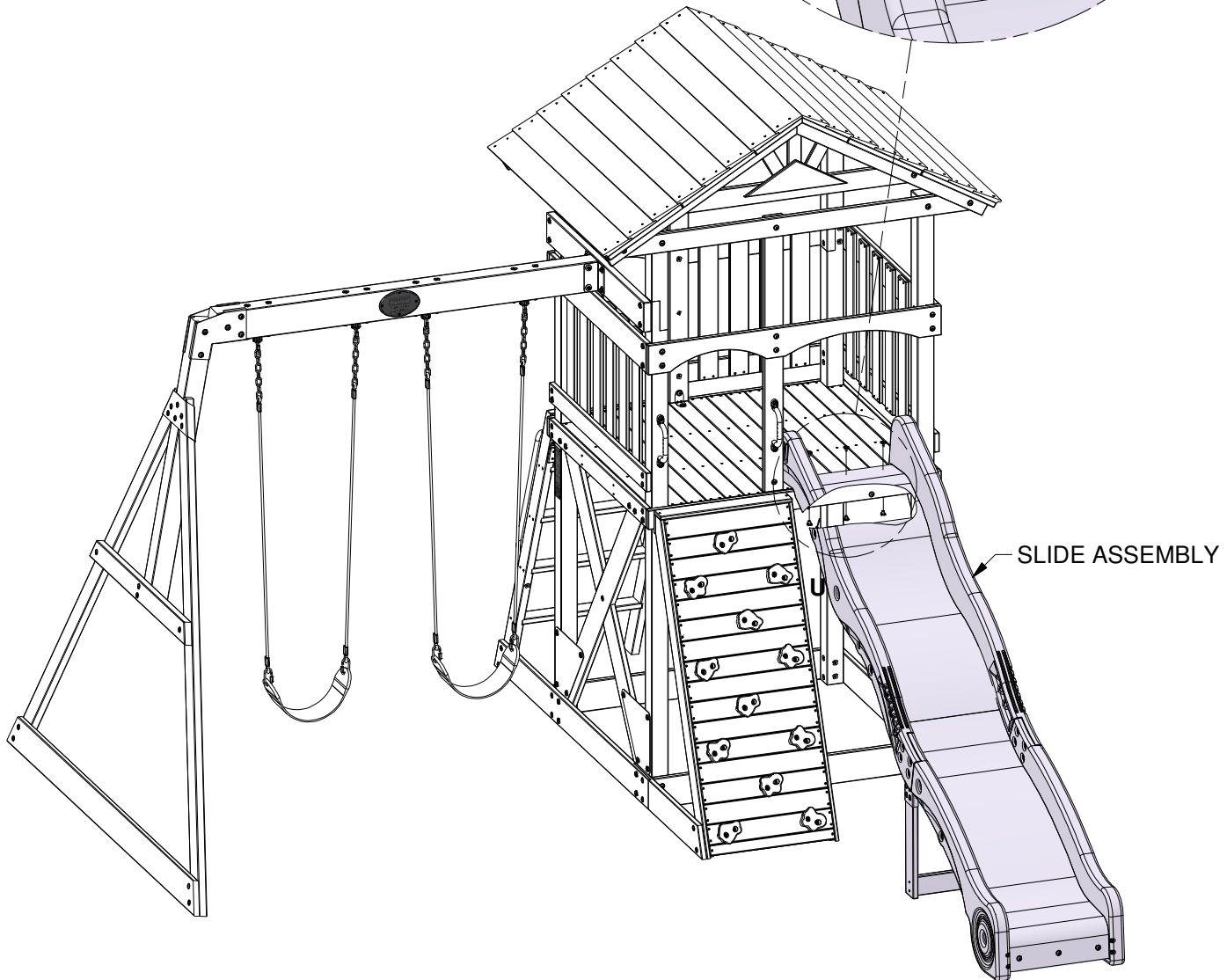


CENTER SLIDE IN OPENING. DRILL (3) 3/8" [10mm] HOLES THRU SLIDE BED AND DECK WHERE SHOWN FOR HARDWARE.



**115 (x3)
BOLT - 1/2"**

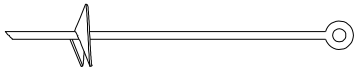
**074 (3)
T-NUT - 5/16"**



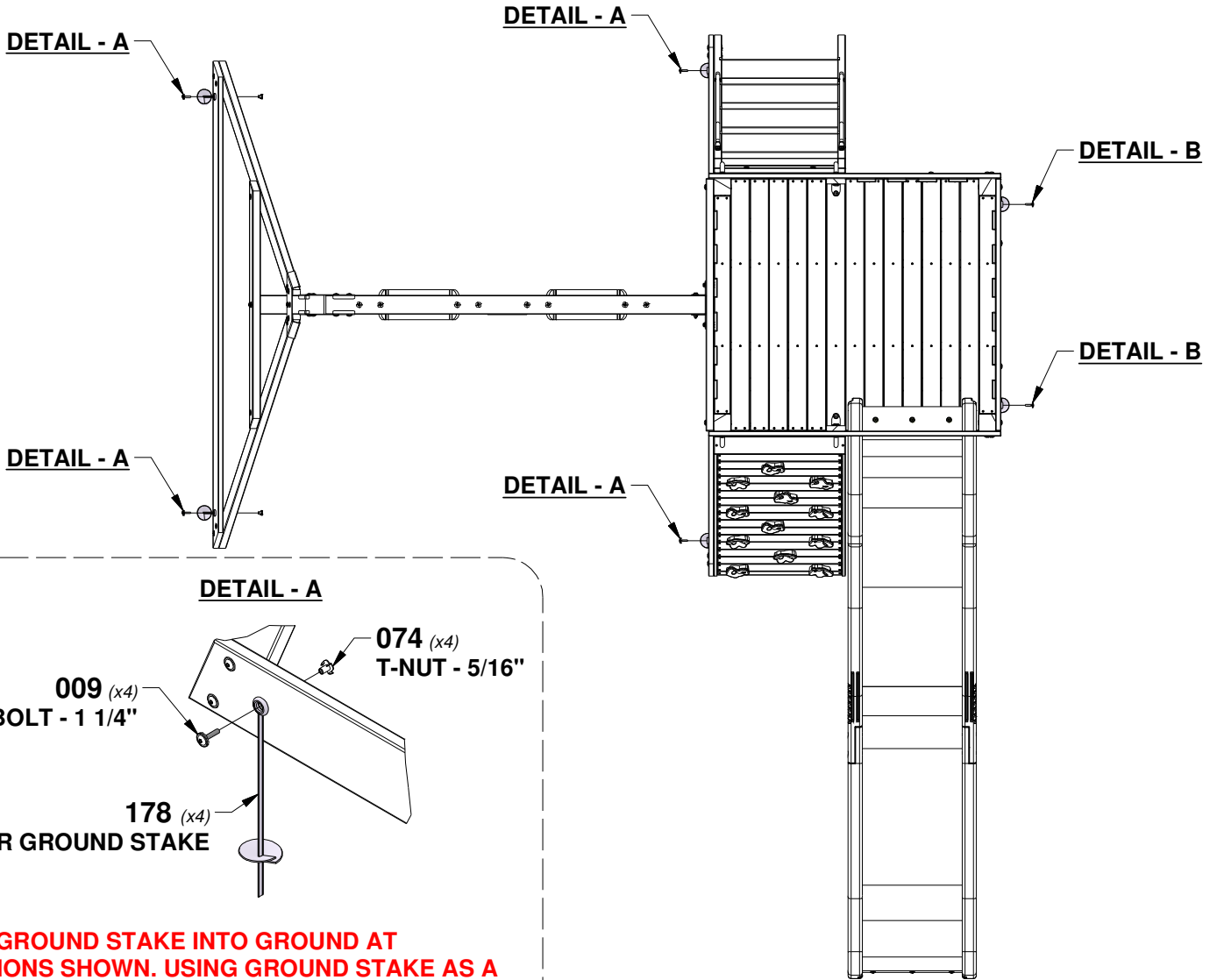
SLIDE ASSEMBLY

STEP 42 - FORT ASSEMBLY

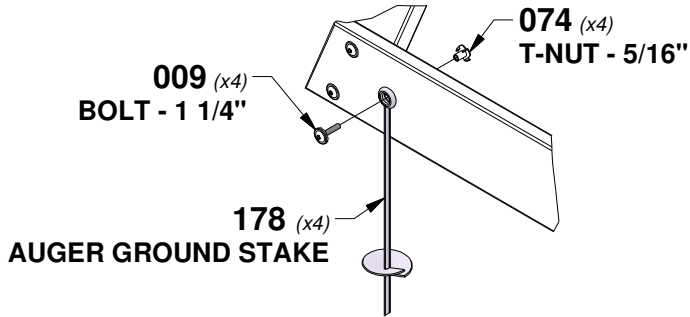
QTY	PART NUMBER	DESCRIPTION
6	H100009	BOLT WH 5/16x1 1/4
6	H100074	T-NUT 5/16



A100178 AUGER GROUND STAKE
(x6)

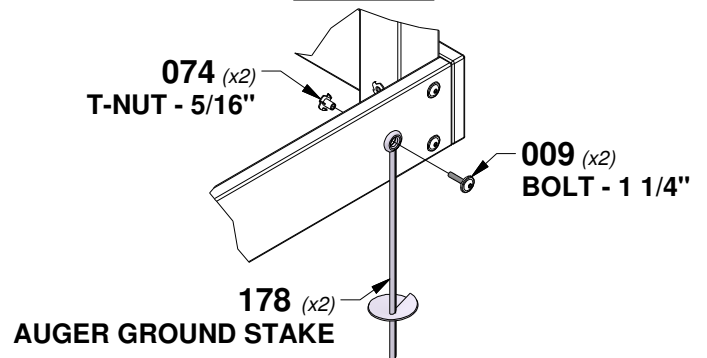


DETAIL - A



TWIST GROUND STAKE INTO GROUND AT LOCATIONS SHOWN. USING GROUND STAKE AS A GUIDE, DRILL A 3/8" [10mm] HOLE FOR HARDWARE.

DETAIL - B



TWIST GROUND STAKE INTO GROUND AT LOCATIONS SHOWN. USING GROUND STAKE AS A GUIDE, DRILL A 3/8" [10mm] HOLE FOR HARDWARE.