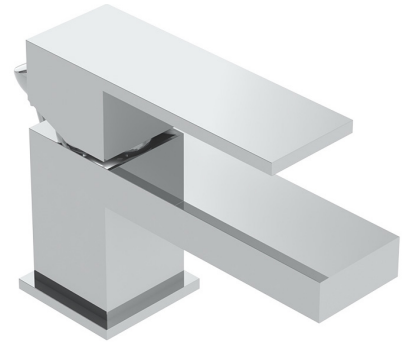






# Location:



SLS362210  
Single Handle Lavatory Faucet  
**Specification Submittal**



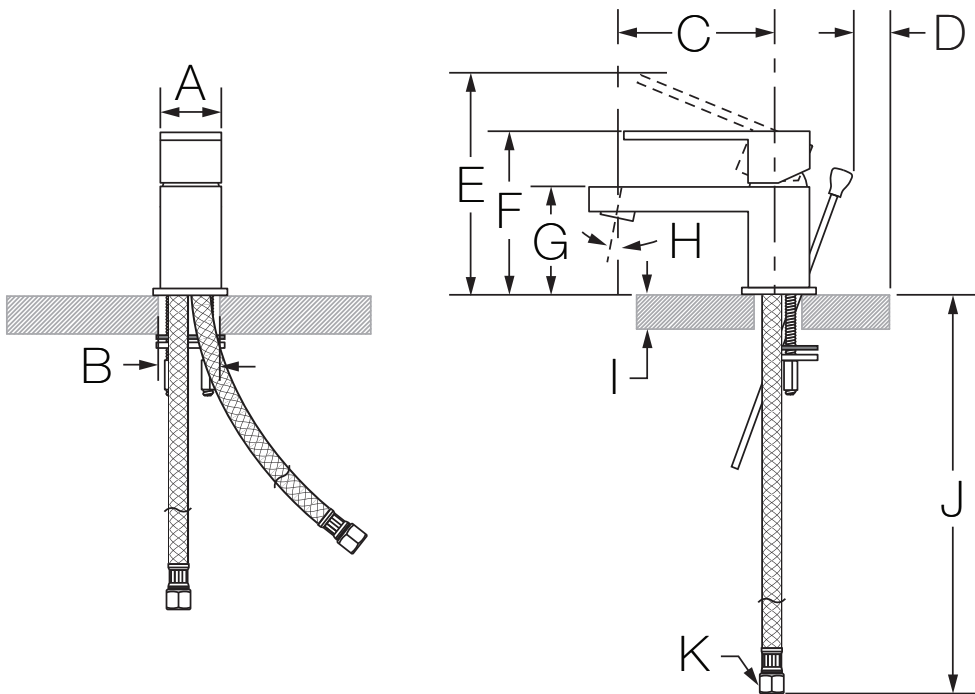
<b>Model Numbers</b>	<b>Feature Highlights</b>
<input type="checkbox"/> <b>SLS362210</b> Single Handle Lavatory Faucet with lift rod and metal drain assembly	<ul style="list-style-type: none"> <li>• Single hole mount configuration</li> <li>• Quarter turn ceramic cartridge</li> <li>• 25 inch braided hose water supply connections</li> <li>• 4-1/2" height</li> <li>• Lift rod and metal drain assembly (SLS362210)</li> <li>• Standard 1.0 gpm (3.8 L/min) flow rate</li> <li>• Faucet shall be metal construction, plated in standard polished chrome finish</li> </ul>
<b>Finish Options/Modifications</b>	<b>Compliance</b>
<input type="checkbox"/> <b>05</b>  0.5 gpm (1.9 L/min) flow restrictor <input type="checkbox"/> <b>DP4</b> 4" deck plate <input type="checkbox"/> <b>BBZ</b> Brushed Bronze finish <input type="checkbox"/> <b>MB</b> Matte Black finish <input type="checkbox"/> <b>STN</b> Satin Nickel finish  <b>Note:</b> Append appropriate suffix to model number.	ASME A112.18.1/CSA B125.1 NSF/ANSI/CAN 61: Q<1, NSF/ANSI 372   WaterSense 1.0 gpm (3.8 L/min)  <b>Warranty</b>  <b>Limited Lifetime</b> - to the original end purchaser in consumer/residential installations. <b>10 Years</b> - for commercial/industrial installations. Refer to <a href="http://www.symmons.com/warranty">www.symmons.com/warranty</a> for complete warranty information. 

## Architectural/ Engineering Specification

Symmons Duro \_\_\_\_\_ single handle lavatory faucet with Single hole mount configuration, quarter turn ceramic cartridge, 25 inch braided hose water supply connections, 4-1/2" height, Lift rod and metal drain assembly (SLS362210), Standard 1.0 gpm (3.8 L/min) flow rate, Faucet shall be metal construction, plated in standard polished chrome finish. 10 Year commercial Warranty. ASME A112.18.1/CSA B125.1, NSF/ANSI/CAN 61: Q<1, NSF/ANSI 372, WaterSense 1.0 gpm (3.8 L/min) complaint. Available options include: "0.5 gpm (1.9 L/min) flow restrictor, 4" deck plate, brushed bronze finish, Matte Black finish, Satin Nickel finish.

SLS362210

**Dimensions**



Measurements	
<b>A</b>	1-11/16", 43 mm
<b>B</b>	Hole Size: Min. Ø 1-1/4", 32 mm Max. Ø 1-1/2", 38 mm
<b>C</b>	4-5/8", 118 mm
<b>D</b>	Min. 1/2", 13 mm
<b>E</b>	6-9/16", 167 mm
<b>F</b>	4-1/2", 114 mm
<b>G</b>	3-1/2", 89 mm
<b>H</b>	12°
<b>I</b>	Deck Thickness Ref. Min. 7/8", 22 mm Max. 2-1/2", 64 mm
<b>J</b>	25", 635 mm
<b>K</b>	3/8" compression fitting

**Note:** Dimensions subject to change without notice.