

Project		Catalog #		Type	
Prepared by		Notes		Date	



Greengate

RRU-X-UNV – Emergency power control

for 0-10V and line voltage applications

Typical Applications

Office • Education • Healthcare • Hospitality • Retail • Industrial • Manufacturing

Interactive Menu

- Order Information page 2
- Additional Resources page 3
- Wiring Diagrams page 3
- Product Warranty

Product Certification



Top Product Features

- The RRU-X-UNV can simultaneously bypass both a line voltage switch and a 0-10V dimming signal, ensuring that an emergency fixture illuminates at full brightness during a utility power interruption.
- Its small size makes it ideal for junction box or fixture mounting in wireless or other modern lighting control systems
- An integral test switch and LED allow for quick testing and verification of proper function.
- The RRU-X-UNV includes a 20A rated high voltage Form C (N/O+N/C) relay and a low voltage Form A (N/O) relay and is UL924 Listed for emergency lighting control applications.
- The powerful RRU-X-UNV includes:
 - 20A Rated N/O & N/C
 - Used for bypassing line voltage switching, occupancy sensors or dimmers. Also used as dry contact to signal relay panels or BMS systems or utility power interruption
 - 1A Rated N/O contact
 - Used for bypassing low voltage dimming or switching signals from room controllers or dimmers
 - Integral test switch and green utility power indicator
 - Flush or fixture mounted
 - UL924 Listed

Order Information

This is an accessory for the Room Controller, DLVP, ControlKeeper, iLumin, WaveLinx Wired, and FifthLight lighting control panels. When ordering, specify the RRU as a separate system accessory.

Catalog Number

Catalog Number	Description	Rating
RRU-X-UNV	Emergency Power Control for 0-10V and Line Voltage Applications	120/277 VAC

Product Specifications

Mechanical

Size: 1.7" x 3.0" x 1.2" (43mm x 76mm x 30mm)

Size with wallplate: 2.75" x 4.5" x 1.2" (70mm x 114mm x 30mm)

Weight: 12.0 oz (0.34 kg)

Environment:

- **Operating temperature:** -40°F to 149°F (-40°C to 65°C)
- UL94V-0A Rated
- Plenum Rated
- Damp location rated

Mounting: Universal (Flush, Junction Box, Panel, and Fixture Mount)

Color: White

Electrical

- **Sensing input:** 120V - 277V
- **Load rating:** 120V - 277V (20A)
- **Ballast load rating:** 20A (120-277V) (Contact #1)
- **Incandescent load:** 1200W (120V) / 1500W (277V)
- **Load:**
 - Contact #1 20A (120-277V)
 - Contact #2 1A (30V DC)

Hardware Specifications

Status Indicators:

- An integral test switch and green LED allow for quick testing and verification of proper function

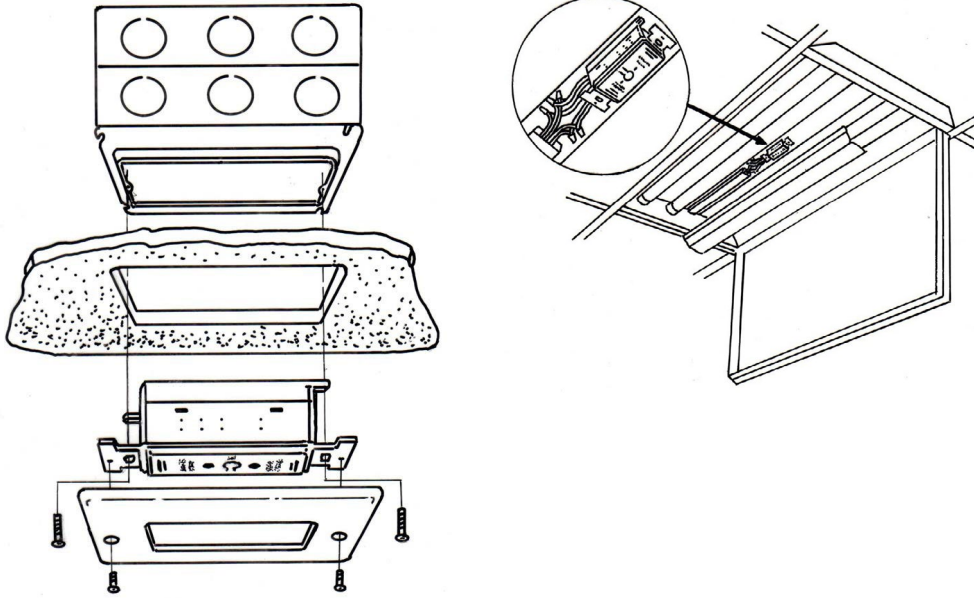
Standards/Ratings

- cUL Listed
- UL 924 Listed

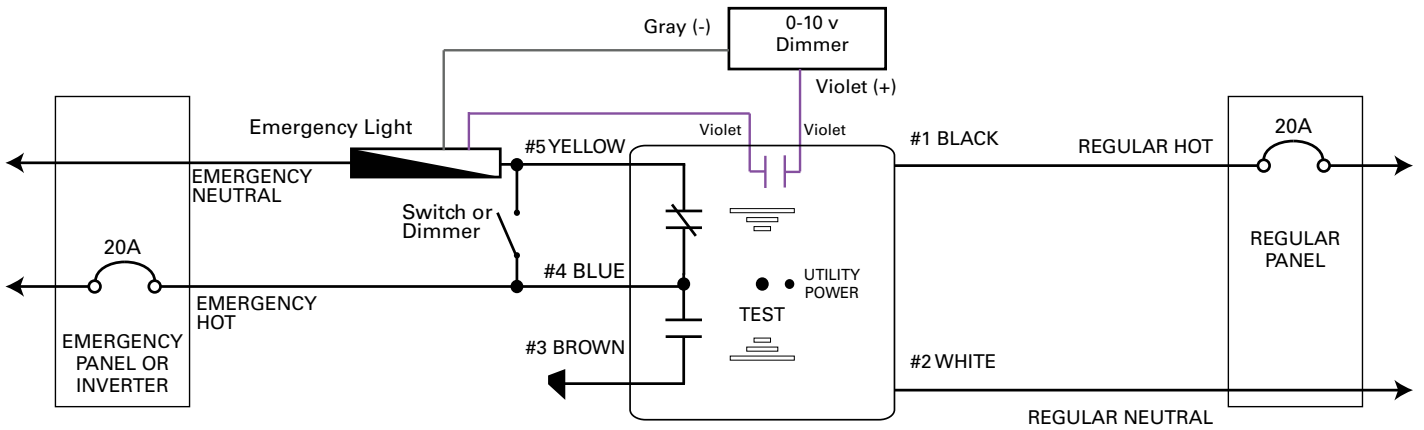
Warranty

Five year warranty standard

Installation



Wiring Diagrams



Note: Emergency Light is also called N/E Light or Normal/Emergency Light by many specifiers

Control Systems

- Greengate
- DLVP