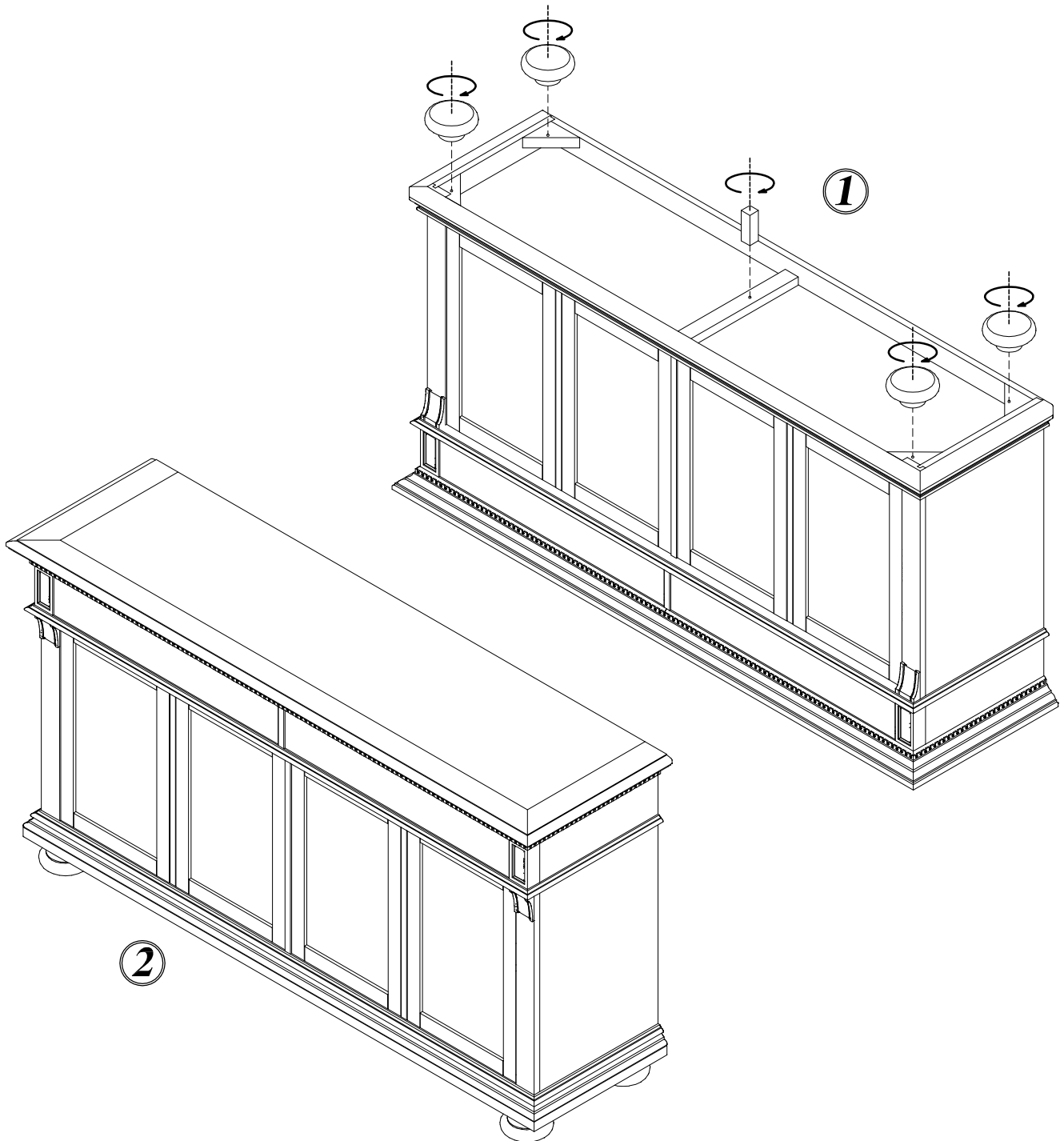


HEKMAN

A HOWARD MILLER COMPANY

ASSEMBLY INSTRUCTIONS

25226/25426 - BUFFET



PLACE THE BUFFET UPSIDE DOWN ON SOFT AND CLEAN SURFACE TO PREVENT SCRATCHING

- 1. ASSEMBLE THE LEGS INTO THE BUFFET THEN TURN OVER IT CLOCKWISE*
- 2. SET THE BUFFET UPRIGHT*

MADE IN INDONESIA