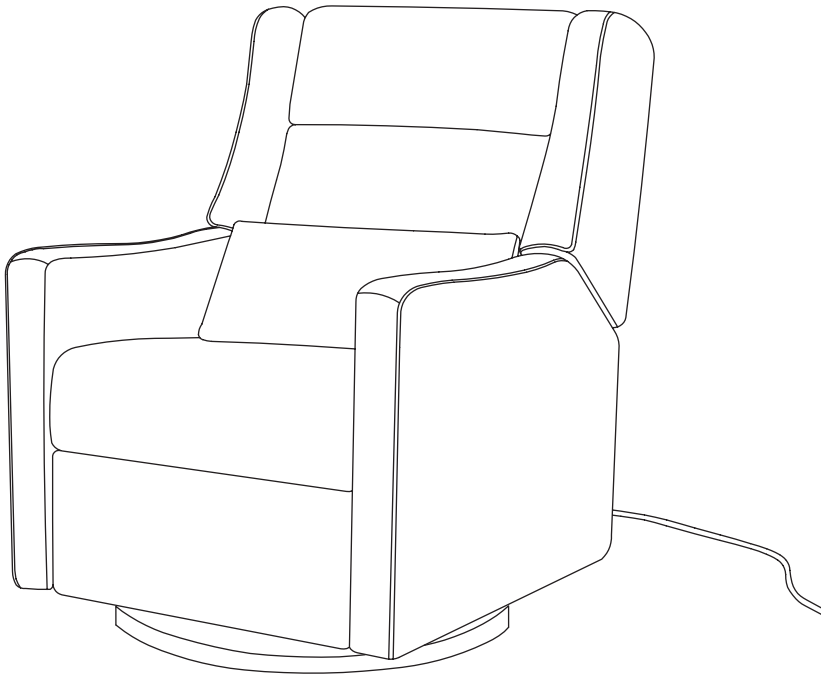


 babyletto



**Kiwi Plus Power  
Glider Recliner  
w/ Power Headrest**

**11286**

## CARE AND MAINTENANCE

Congratulations! This product will provide many years of service if you adhere to the following guidelines for care, maintenance, and operation. This product is for residential use only. Any institutional use is strictly prohibited.

**DO NOT SUBSTITUTE PARTS. ALL MODELS HAVE THEIR OWN SPECIFIC QUANTITY OF PARTS AND HARDWARE. YOUR MODEL MAY LOOK DIFFERENT FROM THE ONE ILLUSTRATED DUE TO STYLISTIC VARIATIONS.**

## MAINTENANCE AND CLEANING

To preserve the hand-crafted quality of your furniture, we recommend using a cotton cloth and a non-toxic cleaner. Periodic polishing or oiling on wood stains will help to maintain the rich wood tones. For our upholstered products, we recommend using water to clean suede products and light foam cleaners for all other fabrics.

# **WARNING**

## **IMPORTANT SAFETY INSTRUCTIONS**

When using an electrical furnishing, basic precautions should always be followed, including the following:

Read all instructions before using (this furnishing).

## **DANGER**

To reduce the risk of electric shock: Always unplug this furnishing from the electrical outlet before cleaning or servicing.

## **WARNING**

To reduce the risk of burns, fire, electric shock, or injury to persons:

1. Unplug from outlet before putting on or taking off parts.
2. Close supervision is necessary when this furnishing is used by, or near children, or disabled persons.
3. Use this furnishing only for its intended use as described in these instructions. Do not use attachments not recommended by the manufacturer.
4. Never operate this furnishing if it has a damaged cord or plug, if it is not working properly, if it has been dropped or damaged, or dropped into water. It must be replaced by the manufacturer, its service agent or similarly qualified persons in order to avoid a hazard.

5. Keep the cord away from heated surfaces.
6. Never drop or insert any object into any opening.
7. Do not use outdoors.
8. Do not operate where aerosol (spray) products are being used or where oxygen is being administered.
9. To disconnect, turn all controls to the off position, then remove plug from outlet.
10. Risk of Injury – Keep children away from extended foot support (or other similar parts).
11. Household use only.
12. The appliance is only to be used with the power supply unit provided with the appliance.

## WARNING

**RISK OF ELECTRIC SHOCK, FIRE, AND INJURY.  
REVIEW THE ASSEMBLY INSTRUCTIONS TO  
CONFIRM THAT THE APPROPRIATE CRITICAL  
COMPONENTS AND ACCESSORIES ARE BEING  
USED WITH THE FURNISHING.**

**FAILURE TO FOLLOW THESE WARNINGS AND THE  
ASSEMBLY INSTRUCTIONS COULD RESULT IN  
SERIOUS INJURY OR DEATH.**

- Read all instructions before assembling this product.
- Keep instructions for future use.
- **FALL HAZARD** – To prevent death or serious injury, always keep child within arm's reach.
- Proper assembly of this item requires 2 people.
- Check this product for damaged hardware, loose joints, missing parts or sharp edges before and after assembly and frequently during use. **DO NOT** use this product if any parts are missing, damaged or broken. Contact Babyletto for replacement parts and instructional literature if needed. **DO NOT** substitute parts unless provided/indicated by the manufacturer.
- If refinishing, use a non-toxic finish specified for children's products.
- Properly discard all packaging materials after assembly is complete.
- Maximum weight capacity: 300 pounds.

**SAVE THESE INSTRUCTIONS**



# WARNING

- Avoid **TWISTING THE POWER CORD**, keep the power cord **CLEAR OF OBSTACLES** and ensure it is **NOT PINNED** under the glider base or other heavy items.
- This charger is **NOT** compatible with **FAST CHARGING**. Your device will charge at a standard speed. Only charge devices using **5V/2A**.
- Do **NOT CHARGE HIGH-POWERED DEVICES** like **LAPTOPS, BREAST PUMPS, or LAMPS**, as they may **DAMAGE THE USB CHARGING FUNCTIONALITY** or **DAMAGE THE PRODUCT**.
- USB panel can become **SLIGHTLY WARM** to the touch when operating. Should the USB panel **STOP CHARGING** or become **EXCESSIVELY HOT**, immediately **UNPLUG PRODUCT FROM THE OUTLET** and **CONTACT US FOR ASSISTANCE**.
- Closely **SUPERVISE CHILDREN** using this product. The reclining chair has **MOVING PARTS** that can cause **SERIOUS INJURY** if not used properly. Keep **HANDS, FINGERS, AND BODY PARTS** away from the **MECHANISM**. To reduce the risk of **HEAD ENTRAPMENT** and other injuries, keep **CHILDREN AND PETS AWAY** from the **OPENINGS** and **MOVING PARTS** in and around furniture.
- **SIT DOWN SLOWLY** in the unit. To avoid **TIPOVER**, do **NOT THROW YOUR WEIGHT** against the back of the unit. Move the unit into or out of the reclining position **SLOWLY**, making sure that no **CHILDREN OR PETS** are in close proximity.
- Always keep **OPEN FLAMES** and **LIT CIGARETTES** away from **UPHOLSTERED FURNITURE**. Upholstered furniture may **BURN RAPIDLY** with **TOXIC GAS** and **THICK SMOKE**.

## **ONE-YEAR WARRANTY<sup>1</sup>**

We will replace any missing parts at the time of purchase or any defective product within one year of the date of the original purchase.

To process a warranty claim, proof of purchase is required. This warranty applies only to products in their original packaging and under original ownership. Warranties are non-transferable and do not cover secondhand use or products purchased from an unauthorized seller.

---

## **THREE-YEAR EXTENDED WARRANTY<sup>1</sup>** **(For Units with Powered Mechanisms)**

For units equipped with powered reclining mechanisms, a three-year extended warranty from date of original purchase applies to the following electric components:

- USB panel
- Detachable power cord that connects the unit to the wall outlet
- Back panels that have powered head rest, massage and/or heating functions
- Motors controlling reclining, heating, self-rocking, and/or massage functions

In the event that any of the electrical components listed above stops functioning as intended or experiences a significant performance issue, please unplug the unit from all electrical sources immediately and contact our customer support team for assistance with troubleshooting and replacement options.

If a manufacturer's defect is identified within the warranty period, we will first assist you with troubleshooting. If unsuccessful, we will provide free replacement parts for the affected components. We are pleased to offer a video tutorial and detailed instructions to assist you with part(s) replacement, as our warranty does not include part(s) installation.

In cases where the defect cannot be resolved through part(s) replacement, we will provide a whole unit replacement to ensure the functionality of your product. However, the warranty period will continue to be based on the original purchase date and will not reset.

---

<sup>1</sup> If an item is replaced under this warranty, the original warranty period remains unchanged. Coverage is based on the original date of purchase, not the date the replacement item is received. This applies in all cases, including when a replacement unit is provided.

We reserve the right to utilize independent, third-party experts to assess and verify any reported defects before approving warranty claims. If a third-party assessment is needed, we will notify you and keep you informed throughout the process. If you disagree with the findings, you may provide additional information for further review.

After the applicable warranty period, only USB panels and detachable power cords will be available for purchase.

## EXCLUSIONS & LIMITATIONS

This warranty does not cover:

- Items without valid proof of purchase, original packaging, or secondhand items or those not purchased by the original owner from an authorized seller
- Products beyond the applicable warranty period

This warranty does not cover damage or defects resulting from:

- Non-quality-related issues, including dissatisfaction with performance, normal wear and tear, or cosmetic damage (e.g., scratches, fading, discoloration)
- Improper installation, assembly or use not in accordance with the provided instructions, or recommended guidelines
- Unauthorized repairs, modifications, or service performed by third parties
- Alterations to the finish, design, or hardware, including color transference, scratching, or modifications to any component not authorized by us
- Personal power devices, including incompatible chargers or accessories
- Acts of nature, including but not limited to electrical surges, extreme temperatures, or water damage

## USB PORT USAGE DISCLAIMER

Users are solely responsible for any damage resulting to the product and/or personal devices if it occurs as a result of tampering with USB ports or/and using in a manner inconsistent with the manufacturer's guidelines and recommended use. In such cases, the user will be responsible for all associated costs including, but not limited to:

- Repair or replacement of damaged products (power glider)
- Repair or replacement of personal power devices (e.g., cell phone)
- Data recovery costs
- Replacement costs for any affected electronic devices and/or accessories

## RECOMMENDED USE

To ensure optimal performance, the chair should be plugged directly into a wall outlet. **DO NOT USE** surge protectors, power strips, external battery packs, or extension cords.

Our USB ports have a **maximum output of 5V/2A**. For safety and proper charging functionality, only connect devices that use **5V/2A**. Connecting devices that exceed this power rating (e.g., laptops, lamps, breast pumps or other devices) is strictly prohibited and will be considered misuse, voiding any warranty coverage for related damages.

Misuse may result in:

- Damage to the power glider
- Damage to personal power devices

By using the USB ports provided, you acknowledge and accept liability for any damage caused by non-compliant devices which include for example, laptops, tablets, lamps, breast pumps, white noise machines, or other devices that exceed voltage/amperage requirements of **5V/2A**. If you are unsure whether a device is compatible, please contact us at :

[www.babyletto.com](http://www.babyletto.com)

## LEGAL RIGHTS

To the fullest extent permitted by law, we are not responsible for any indirect, incidental, or consequential damages arising from the use of the product, including but not limited to loss of data, business, or personal property.

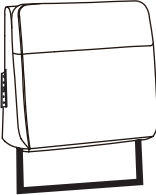
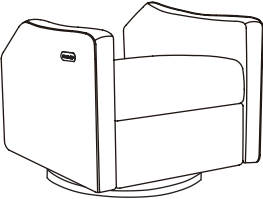



This warranty gives you specific legal rights, and you may have additional rights under applicable consumer protection laws, which vary by jurisdiction.

## IMPORTANT NOTE:

Improper assembly can result in damage to your furniture or cause harm to your child. Proper assembly is critical to ensure a safe and comfortable end result. Please read all instructions before assembly and keep instructions for future use.

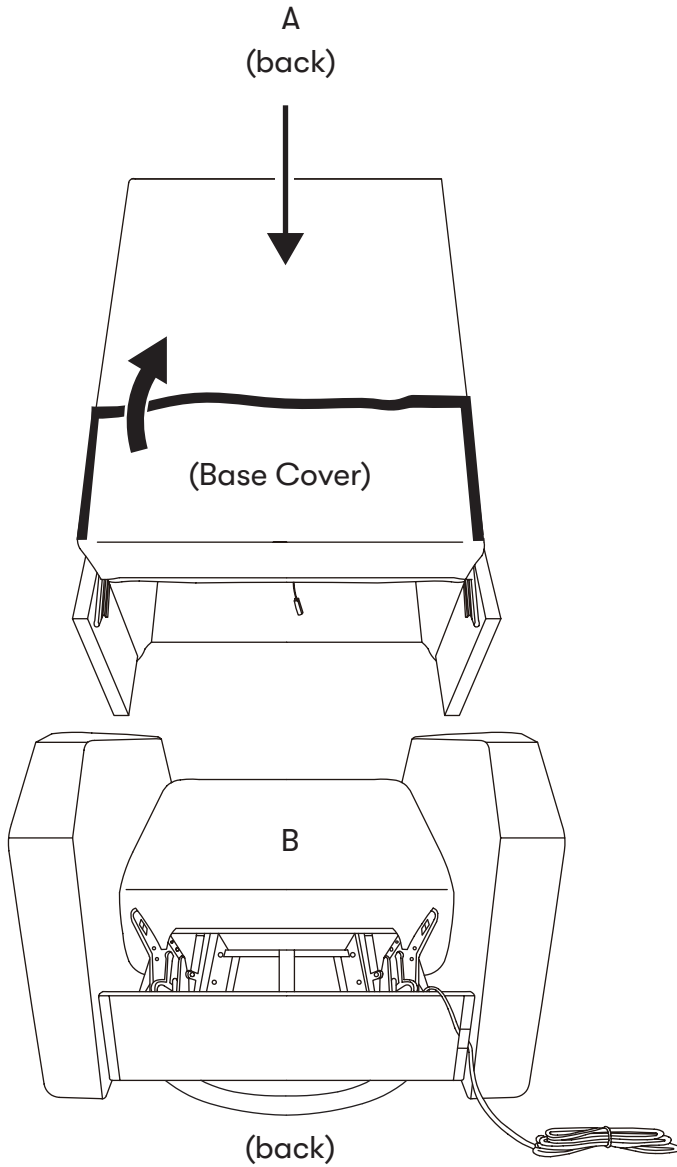
# PARTS LIST

Be sure you follow the instructions in the order that they appear.

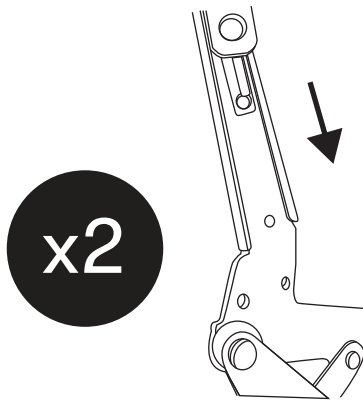
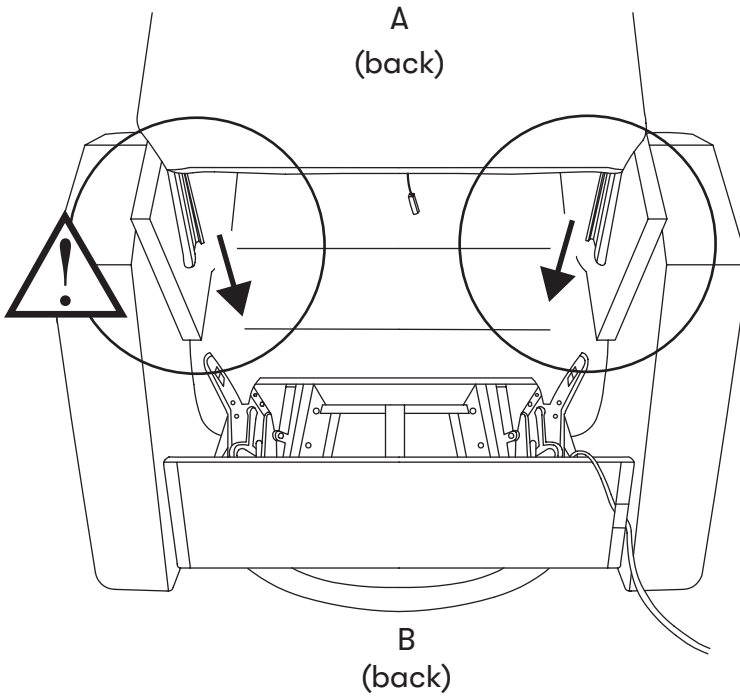
Parts	Ref. No	Description
	A x 1	Seat Back
	B x 1	Base
	C x 1	Cushion
	D x 1	Left Side Panel
	E x 1	Right Side Panel

# ASSEMBLY INSTRUCTIONS

## STEP 1

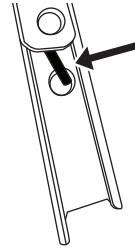
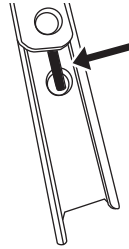
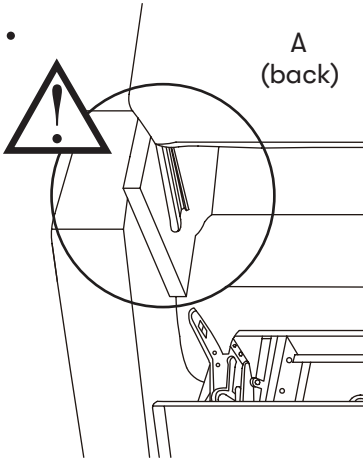


# STEP 1 (IN DETAIL)



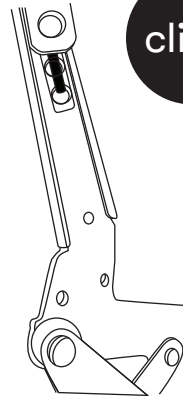
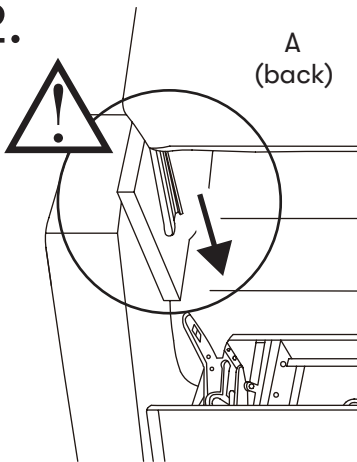
## Tips on the Locking Mechanism

1.



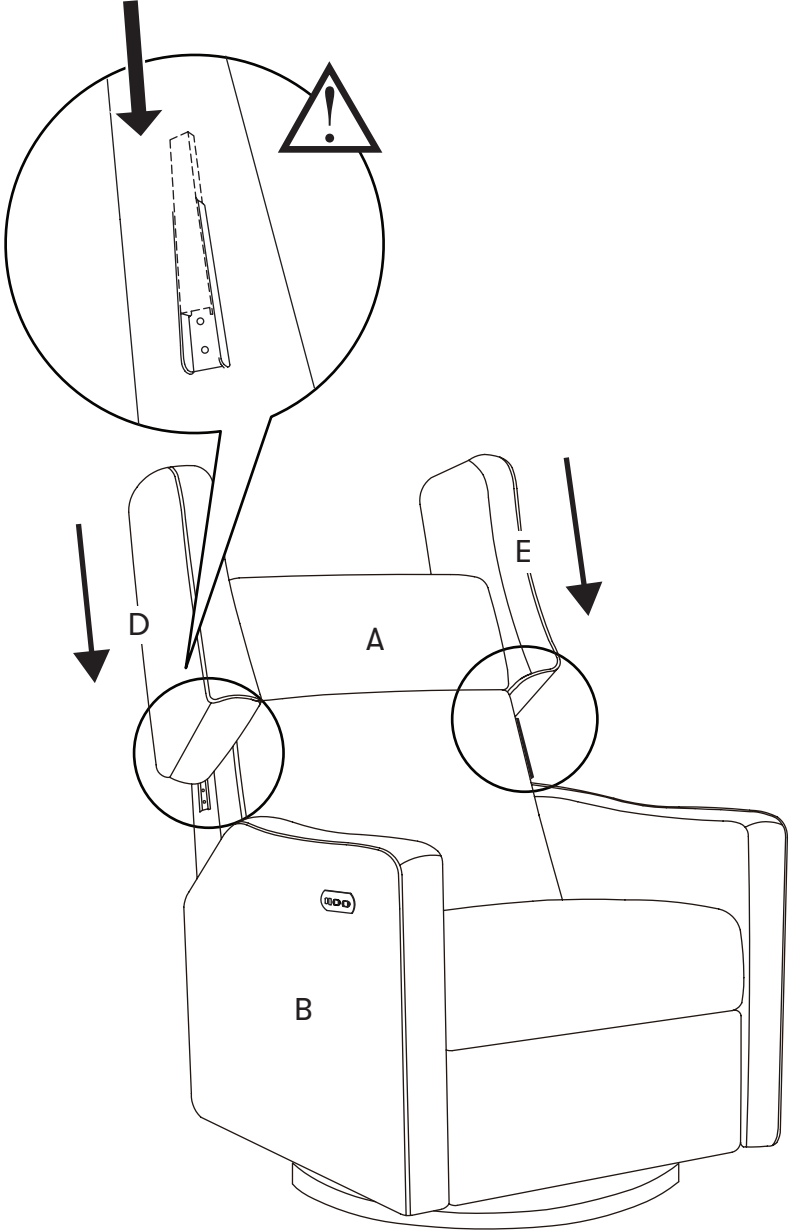
Make sure the locking mechanism on each metal glide is aligned in the center.

2.

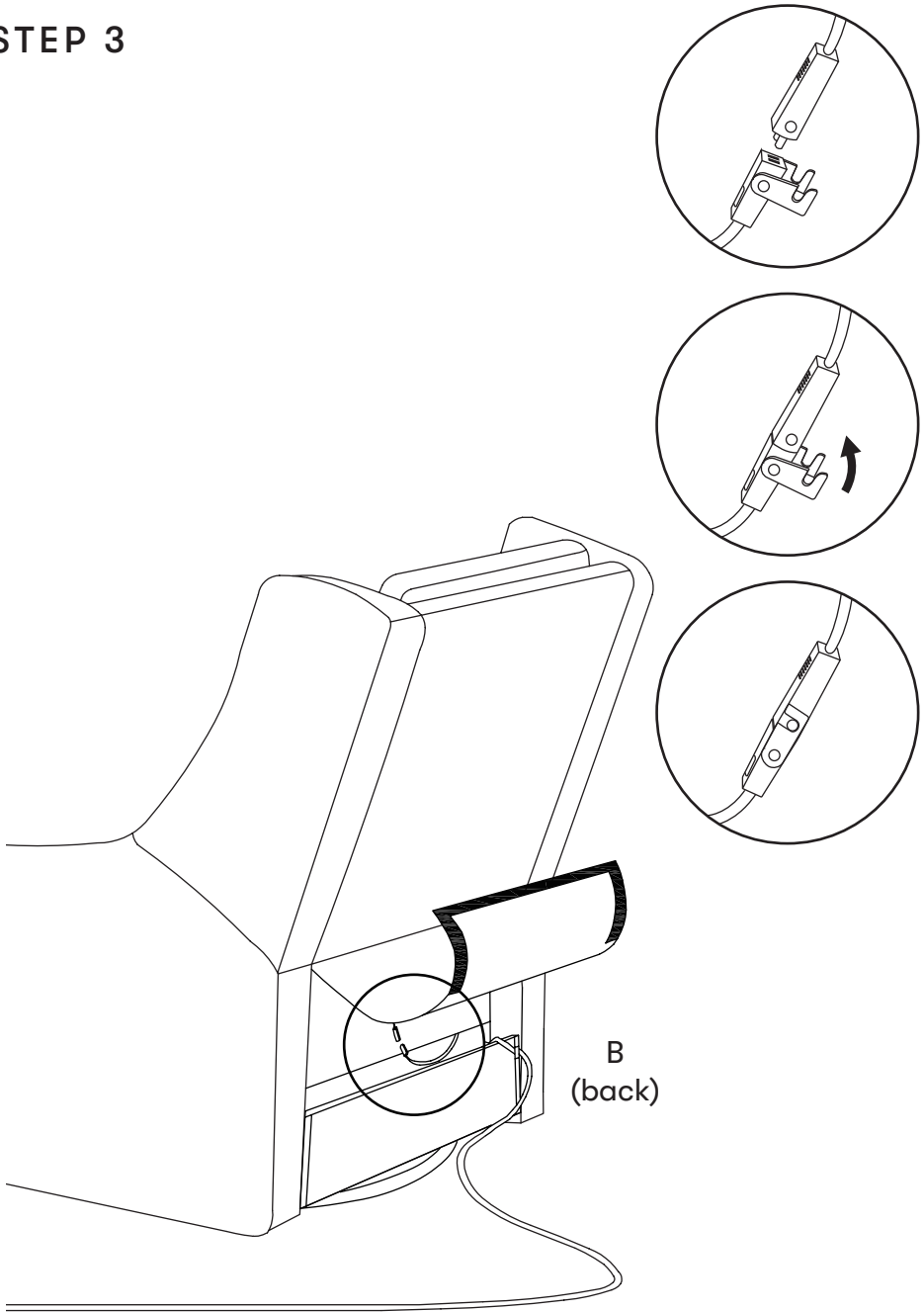


Firmly push down both sides at once. **You should hear a click** when the chair back locks into place on each side.

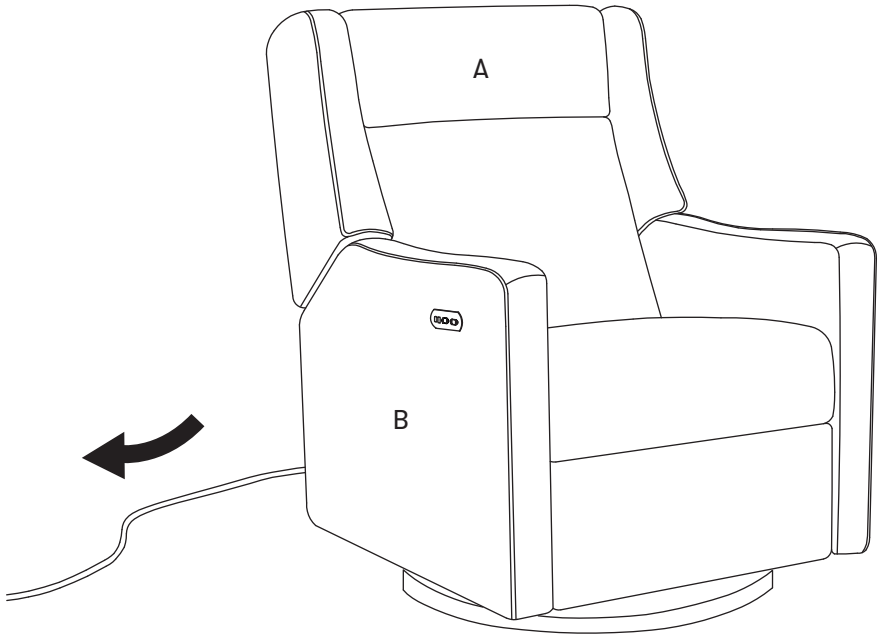
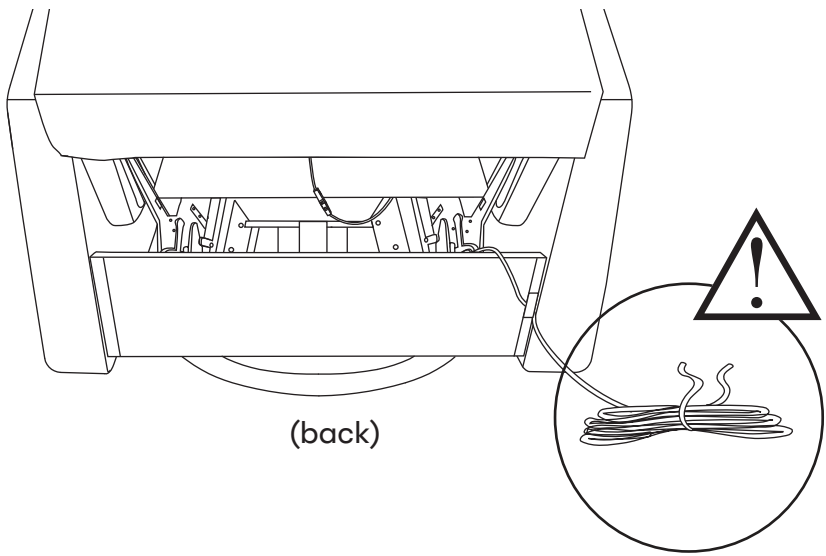
# STEP 2



# STEP 3



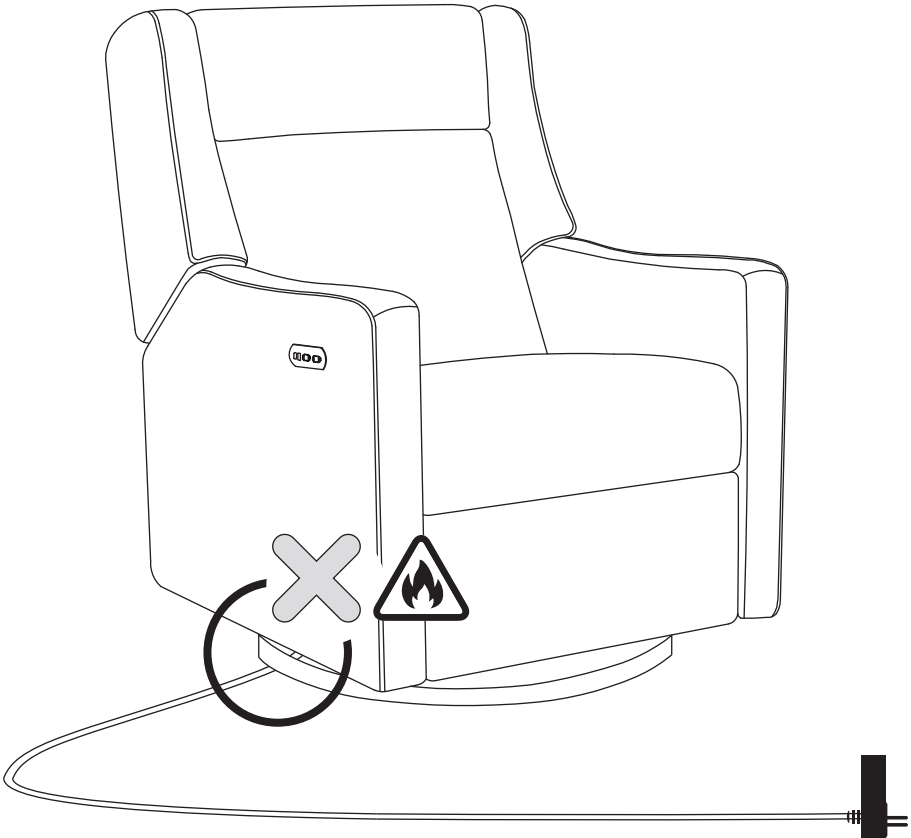
STEP 4



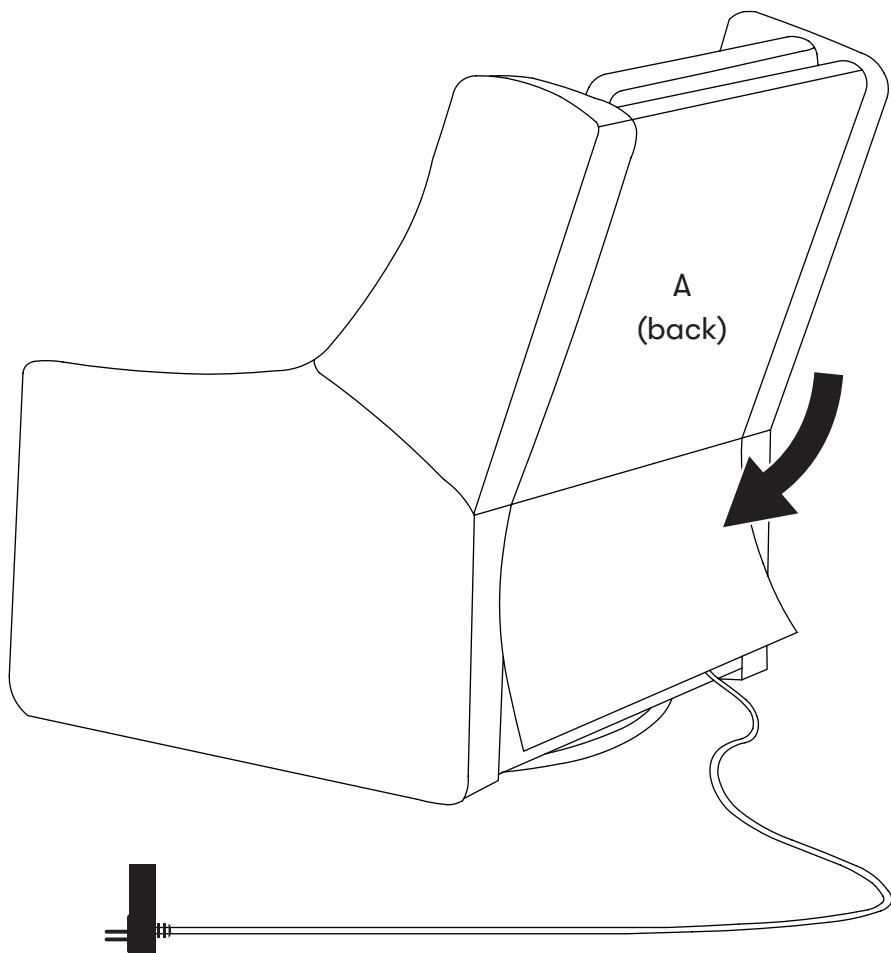


# WARNING

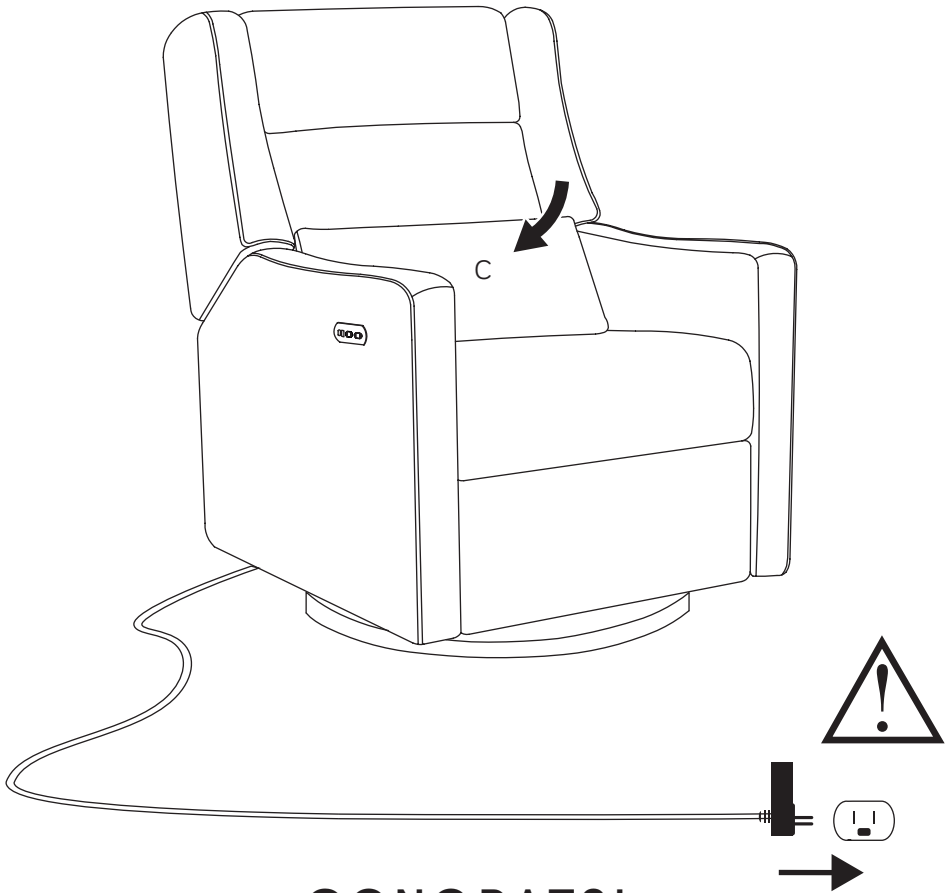
**MAKE SURE POWER CABLE IS  
NOT UNDER THE WOODEN BASE.  
THIS IS A FIRE HAZARD.**



## STEP 5



## STEP 6



**CONGRATS!**

\* If the chair is not functioning after following these steps, please check that the cord underneath the chair is fully plugged into the chair motor.

## **CAUTION :**

Risk of electric shock. For dry location use only.

This Class B digital apparatus complies with Canadian ICES-003.

This Device Complies with part 15 of the FCC rules.

## **WARNING :**

Operation is subject to the following conditions:

- 1) This device may not cause harmful interference, and
  - 2) This device must accept any interference received, including interference that may cause undesired operation.
- 

## **POWER CORD SAFETY**

### **WARNING :**

UNPLUG AND REMOVE POWER CORD FROM THE WALL AND THE POWER SOCKET AT THE REAR OF THE POWERED RECLINER WHEN NOT IN USE AND STORE THE CORD OUT OF REACH OF CHILDREN.

### **DANGER :**

**To reduce the risk of electric shock:**

Always unplug the powered recliner from the electrical outlet before cleaning.

---

## **CONTROL PANEL**

Please note that changes or modifications not expressly approved by the party responsible for compliance could void the user's authority to operate the equipment.

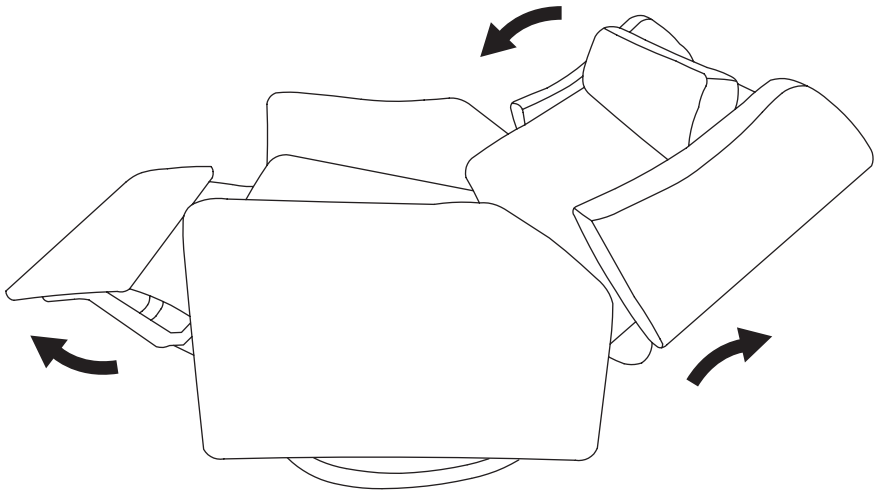
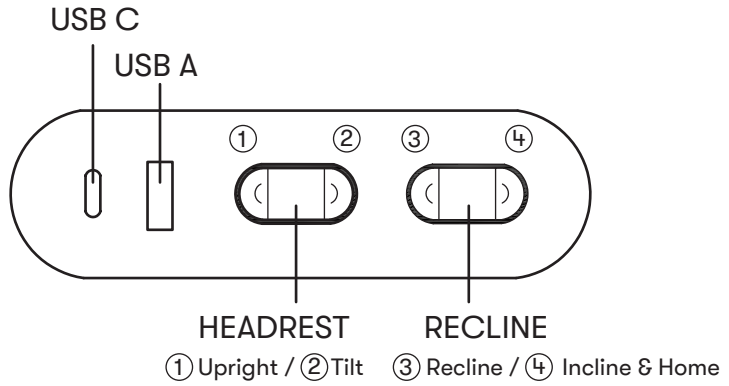
## NOTE

This equipment has been tested and found to comply with the limits for a Class B digital device, pursuant to Part 15 of the FCC Rules. These limits are designed to provide reasonable protection against harmful interference in a residential installation. This equipment generates, uses and can radiate radio frequency energy and, if not installed and used in accordance with the instructions, may cause harmful interference to radio communications. However, there is no guarantee that interference will not occur in a particular installation. If this equipment does cause harmful interference to radio or television reception, which can be determined by turning the equipment off and on, the user is encouraged to try to correct the interference by one or more of the following measures:

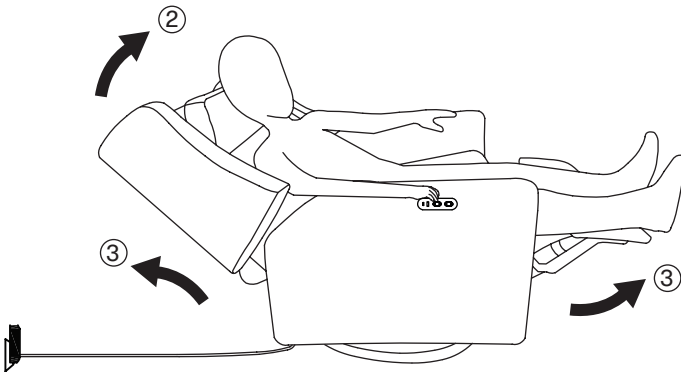
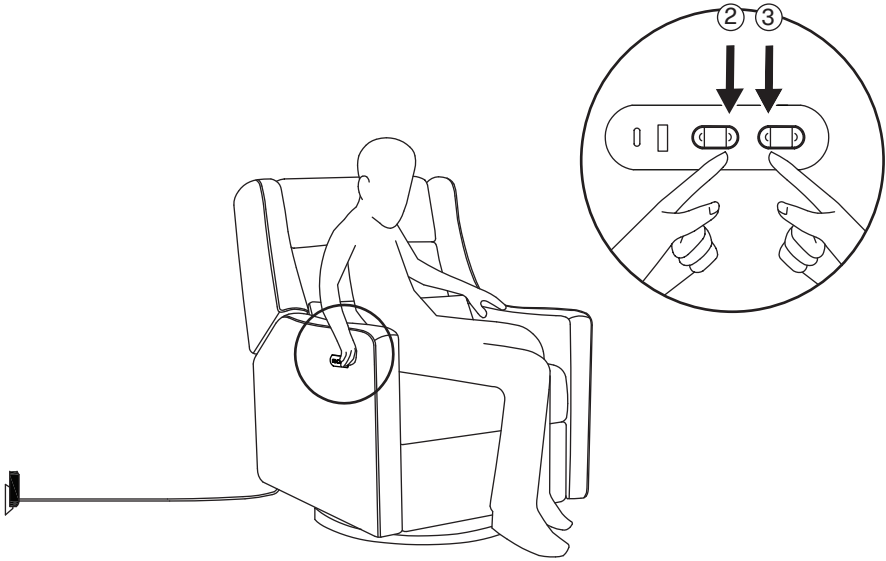
- Reorient or relocate the receiving antenna.
- Increase the separation between the equipment and receiver.
- Connect the equipment into an outlet on a circuit different from that to which the receiver is connected.
- Consult the dealer or an experienced radio/TV technician for help.

# Kiwi Plus Power Glider Recliner w/ Power Headrest

## Power Recline & Headrest Adjustment

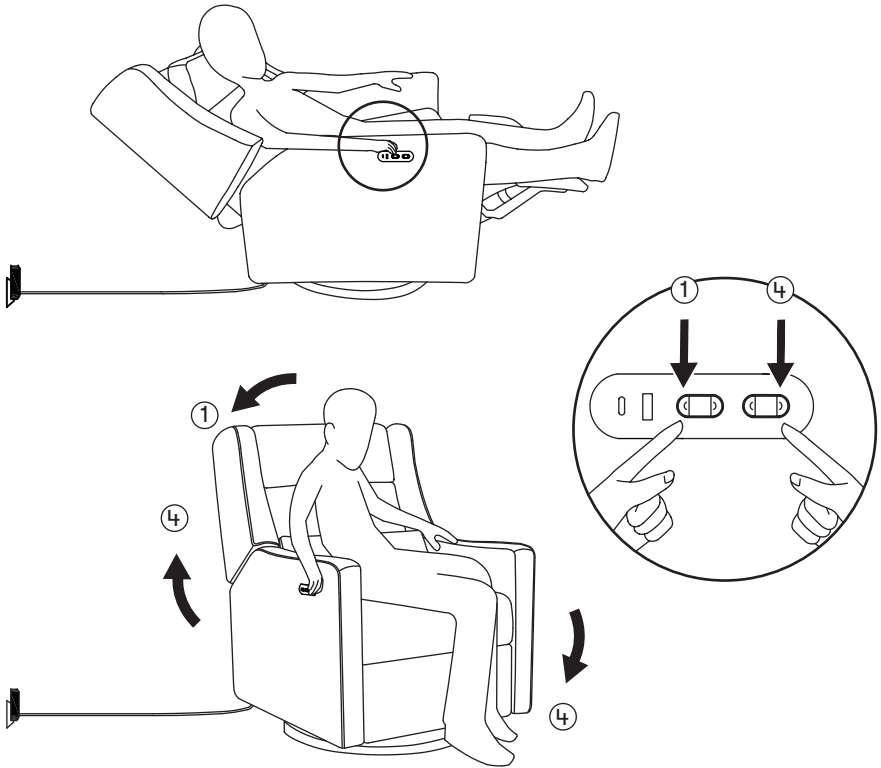


# Power Recline & Headrest Adjustment From Chair to Recliner



To recline your chair, simply press the **recline button** located on the outside right of the armrest.

## Power Recline & Headrest Adjustment From Recliner to Chair

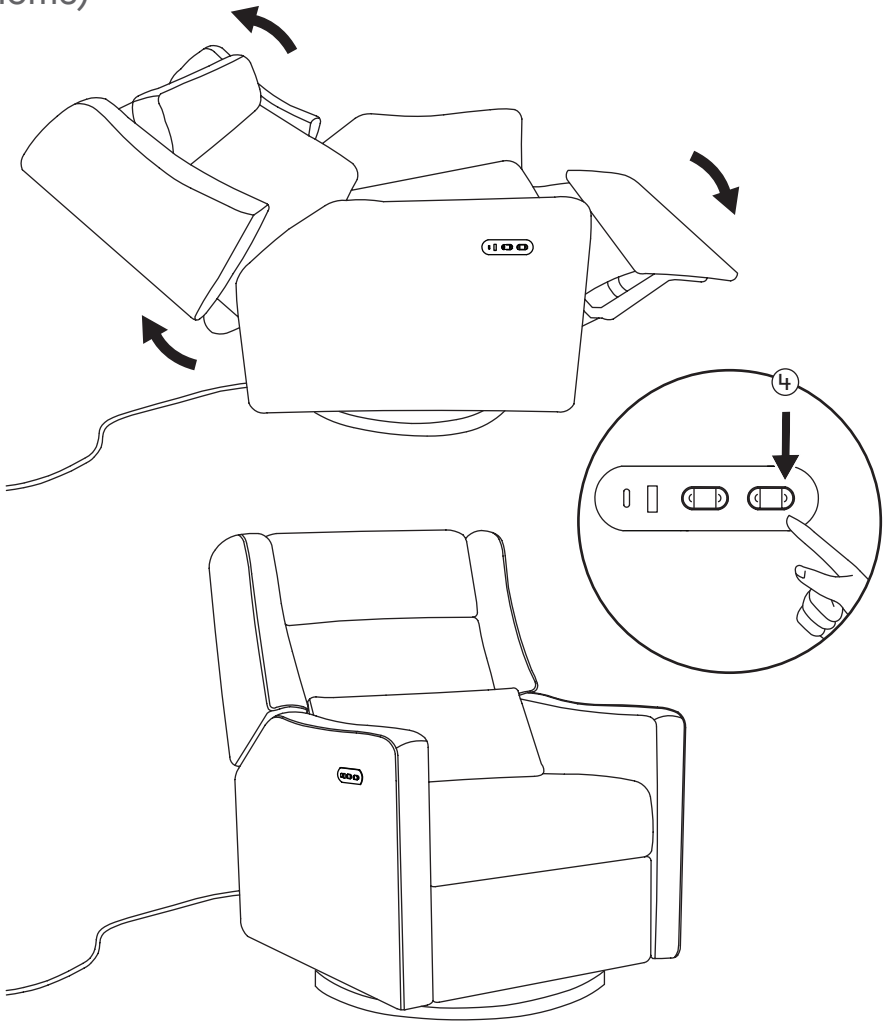


To return the chair to the upright position, press the **incline & home** button located on the outside right of the armrest.

### CAUTION

This is a mechanized piece of furniture. Do not allow children to play on or operate the reclining mechanism. The leg rest folds down during closing and may cause injury. Before returning the chair to the upright and closed position, ensure that no children, pets, or body parts are underneath, near the footrest or mechanism. Always return the chair to the upright and closed position when not in use. Only the seated occupant should operate the mechanism.

## Power Recline & Headrest Adjustment From Recliner to Chair (Home)

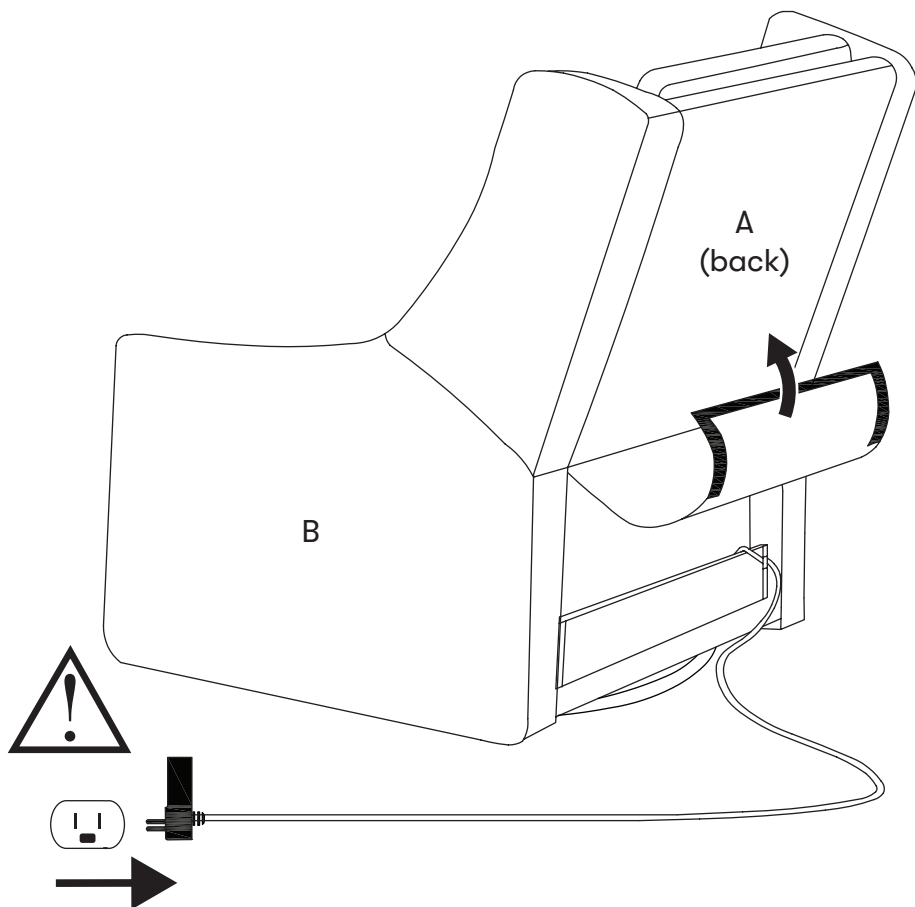


To return the chair to its upright position, **press and hold** the **incline & home** button located on the outside right of the armrest. The backrest will raise and the footrest will lower automatically. **Release the button** at any point to stop in your preferred position. Hold the button until the chair is fully upright for a complete reset

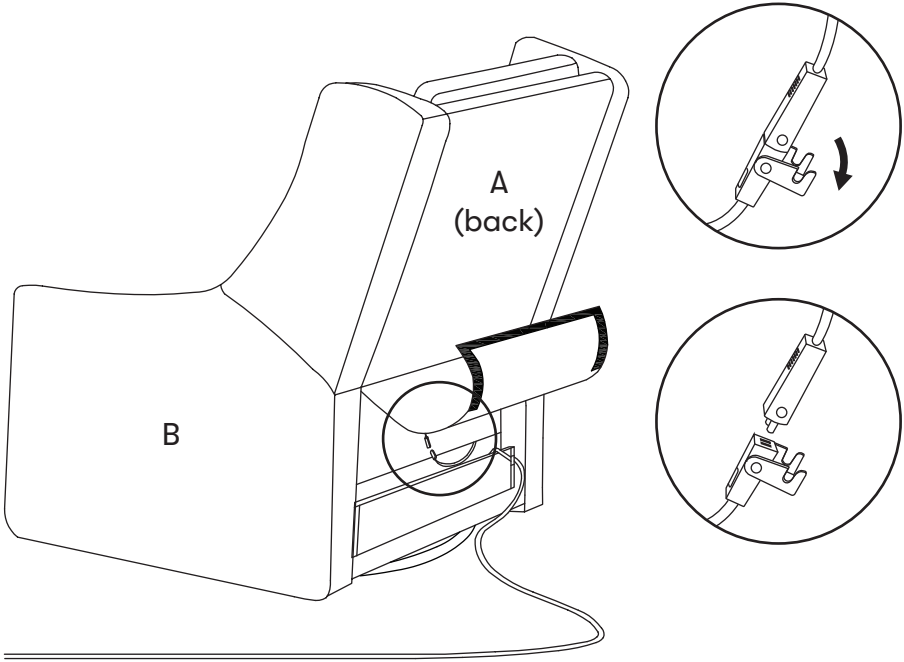
# Kiwi Plus Power Glider Recliner w/ Power Headrest

## How to Disassemble

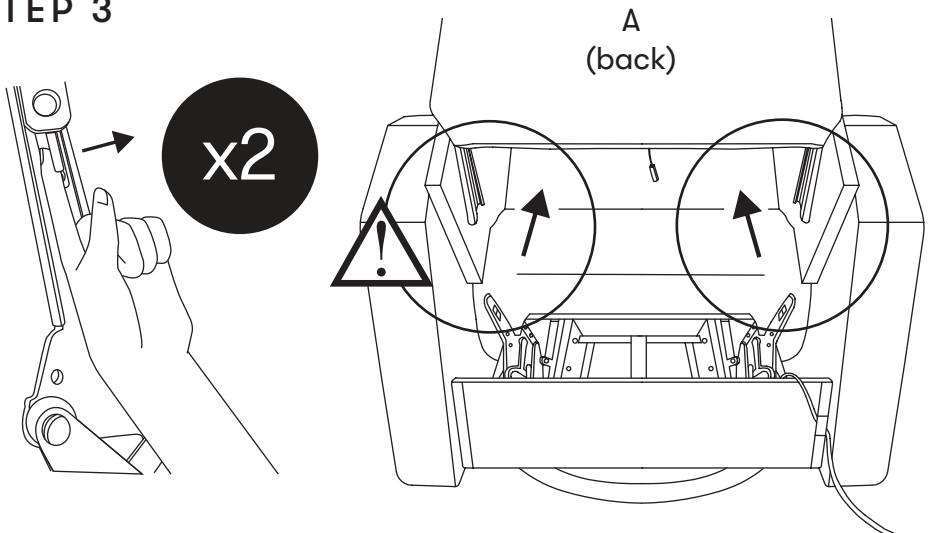
### STEP 1



# STEP 2



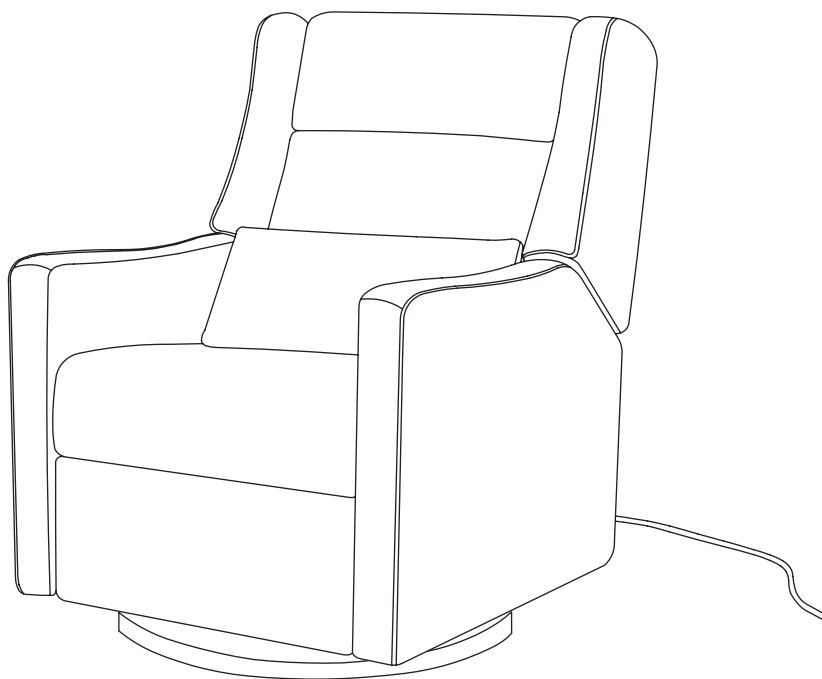
# STEP 3





 **babyletto**

 babyletto



Fauteuil inclinable électrique  
avec appui-tête électrique  
Kiwi Plus

11286

## **SOIN ET ENTRETIEN :**

Félicitations! Ce produit vous procurera des années de service si vous suivez les directives ci-dessous pour les soins, l'entretien et l'utilisation. Ce produit est destiné uniquement à une utilisation résidentielle. Toute utilisation institutionnelle est strictement interdite.

**NE PAS UTILISER DES PIÈCES DE SUBSTITUTION. TOUS LES MODÈLES DISPOSENT D'UN NOMBRE DE PIÈCES ET DE MATÉRIEL DE QUINCAILLERIE SPÉCIFIQUE. VOTRE MODÈLE PEUT DIFFÉRER DE CELUI ILLUSTRÉ EN RAISON DE VARIATIONS STYLISTIQUES.**

## **ENTRETIEN ET NETTOYAGE :**

Pour préserver la qualité artisanale de votre mobilier, nous recommandons l'utilisation d'un chiffon de coton et d'un nettoyant non-toxique. Un polissage ou un huilage périodique du bois teint contribuera à maintenir la richesse de ses coloris. Pour nos produits rembourrés, nous recommandons d'utiliser de l'eau pour nettoyer les surfaces de suède et un nettoyant peu moussant pour les tissus.

# **AVERTISSEMENT**

## **DIRECTIVES IMPORTANTES SUR LA SÉCURITÉ**

Lors de l'utilisation d'un meuble électrique, il est nécessaire d'observer des précautions de base, notamment :  
lire toutes les instructions avant d'utiliser ce meuble.

## **DANGER**

Afin de réduire les risques de décharge électrique : toujours débrancher ce meuble électrique de la prise avant le nettoyage ou la réparation.

## **AVERTISSEMENT**

Afin de réduire les risques de brûlures, d'incendie, de décharges électriques ou de blessures :

1. Le débrancher de la prise avant d'ajouter ou d'enlever des pièces.
2. La vigilance est nécessaire lorsque ce meuble est utilisé par ou près des enfants, des personnes invalides ou handicapées.
3. Utiliser seulement ce meuble aux fins pour lequel il est destiné comme cela est décrit dans ces directives. Ne pas utiliser des accessoires non recommandés par le fabricant.
4. Ne jamais utiliser ce meuble si son cordon ou sa fiche sont endommagés, s'il ne fonctionne pas correctement, s'il a été échappé ou endommagé ou s'il est tombé dans l'eau. Il doit être remplacé par le fabricant, son agent de service ou des personnes de qualification similaire afin d'éviter tout danger.

5. Tenir le cordon éloigné des surfaces chaudes.
6. Ne jamais laisser tomber ni insérer des objets dans des ouvertures.
7. Ne pas utiliser à l'extérieur.
8. Ne pas faire fonctionner si des aérosols (vaporisation) est utilisé ou si de l'oxygène est administré.
9. Pour débrancher, mettre toutes les commandes à la position d'arrêt, puis débrancher de la prise.
10. Risque de blessures – garder les enfants éloignés du support sur pied déployé (ou d'autres pièces similaires).
11. À usage résidentiel seulement.
12. L'appareil doit seulement être utilisé avec l'alimentation électrique fournie avec l'appareil.

## **AVERTISSEMENT**

**RISQUE DE DÉCHARGE ÉLECTRIQUE,  
D'INCENDIE ET DE BLESSURES. PASSER  
LES DIRECTIVES D'ASSEMBLAGE EN REVUE POUR  
CONFIRMER QUE LES COMPOSANTS CRITIQUES ET  
LES ACCESSOIRES APPROPRIÉS SONT UTILISÉS  
AVEC LE MEUBLE.**

## LE NON-RESPECT DE CES AVERTISSEMENTS ET DIRECTIVES D'ASSEMBLAGE PEUT ENTRAÎNER DE GRAVES BLESSURES OU LA MORT.

- Lire toutes les instructions avant d'assembler ce produit.
- Conserver ces instructions pour un usage ultérieur.
- RISQUE DE CHUTE – Pour éviter tout décès ou blessure grave, toujours tenir l'enfant à la portée des bras.
- Deux personnes sont requises pour assembler correctement cet article.
- Vérifier que le produit ne comporte pas de pièce endommagée ni joint, boulon ou élément desserré, pièce manquante ou arête tranchante avant et après l'assemblage et fréquemment pendant l'utilisation. NE PAS utiliser ce produit si des pièces sont manquantes, endommagées ou brisées. Communiquer avec Babyletto pour obtenir des pièces de rechange et des instructions, s'il y a lieu.
- NE PAS utiliser des pièces de substitution sauf si elles sont fournies par le fabricant.
- Si le meuble a besoin d'une refinition, utiliser un fini non-toxique conçu pour les produits pour enfants.
- Jeter tous les matériaux d'emballage une fois l'assemblage terminé.
- Capacité de poids maximum : 136kg

**CONSERVER CES DIRECTIVES**



# AVERTISSEMENT

- Évitez de **TORDRE LE CORDON D'ALIMENTATION**, gardez-le **DÉGAGÉ DE TOUT OBSTACLE** et assurez-vous qu'il ne soit **PAS COINCÉ** sous la base du fauteuil inclinable ou d'autres objets lourds.
- Ce chargeur n'est **PAS** compatible avec la **CHARGE RAPIDE**. Votre appareil se chargera à une vitesse standard. Chargez uniquement les appareils utilisant **5V/2A**.
- **NE CHARGEZ PAS D'APPAREILS HAUTE PUISSANCE** comme des **ORDINATEURS PORTABLES, TIRE-LAIT** ou **LAMPES**, car cela pourrait **ENDOMMAGER LA FONCTION DE CHARGE USB** ou **LE PRODUIT LUI-MÊME**.
- Le panneau USB peut devenir **LÉGÈREMENT CHAUD** au toucher lors de son utilisation. Si le panneau **USB CESSE DE CHARGER** ou devient **EXCESSIVEMENT CHAUD, DÉBRANCHEZ IMMÉDIATEMENT LE PRODUIT DE LA PRISE** et **CONTACTEZ-NOUS POUR ASSISTANCE**.
- Surveillez **ATTENTIVEMENT LES ENFANTS** utilisant ce produit. Le fauteuil inclinable contient des **PIÈCES MOBILES** pouvant entraîner des **BLESSURES GRAVES** si mal utilisées. Gardez les **MAINS, DOIGTS ET PARTIES DU CORPS** éloignés du **MÉCANISME**. Pour réduire les risques de **COINCEMENT DE LA TÊTE** et autres blessures, tenez les **ENFANTS ET ANIMAUX DOMESTIQUES ÉLOIGNÉS** des **OUVERTURES** et **PIÈCES MOBILES** du mobilier.
- **ASSEYEZ-VOUS DOUCEMENT** dans le fauteuil. Pour éviter un **BASCULEMENT**, ne **JETEZ PAS VOTRE POIDS** contre le dossier du fauteuil. Déplacez le fauteuil vers ou depuis la position inclinée **LENTEMENT**, en vous assurant qu'aucun **ENFANT OU ANIMAL** ne soit à proximité.
- Tenez toujours les **FLAMMES NUES** et les **CIGARETTES ALLUMÉES** à l'écart des **MEUBLES REMBOURRÉS**. Ces meubles peuvent **BRÛLER RAPIDEMENT** en dégageant des **GAZ TOXIQUES** et une **FUMÉE ÉPAISSE**.

## GARANTIE D'UN AN<sup>1</sup>

Nous remplacerons toute pièce manquante lors de l'achat ou tout produit défectueux dans un délai d'un an à compter de la date d'achat initiale.

Pour traiter une réclamation au titre de la garantie, une preuve d'achat est requise. Cette garantie s'applique uniquement aux produits dans leur emballage d'origine et sous leur propriété d'origine. Les garanties ne sont pas transférables et ne couvrent pas les produits d'occasion ni les produits achetés auprès d'un vendeur non autorisé.

---

## GARANTIE PROLONGÉE DE TROIS ANS<sup>1</sup> (pour les unités avec mécanismes motorisés)

Pour les appareils équipés de mécanismes d'inclinaison électriques, une garantie prolongée de trois ans à compter de la date d'achat initiale s'applique aux composants électriques suivants :

- Panneau USB
- Cordon d'alimentation amovible reliant l'appareil à la prise murale
- Panneaux arrière avec fonctions d'appui-tête, de massage et/ou de chauffage électriques
- Moteurs contrôlant les fonctions d'inclinaison, de chauffage, de basculement automatique et/ou de massage

Si l'un des composants électriques mentionnés ci-dessus cesse de fonctionner correctement ou rencontre un problème de performance important, veuillez immédiatement débrancher l'appareil de toute source d'alimentation électrique et contacter notre service client pour obtenir de l'aide concernant le dépannage et les options de remplacement.

Si un défaut de fabrication est identifié pendant la période de garantie, nous vous assisterons dans un premier temps pour le dépannage. En cas d'échec, nous vous fournirons gratuitement des pièces de rechange pour les composants concernés. Nous sommes heureux de vous proposer un tutoriel vidéo et des instructions détaillées pour vous aider à remplacer les pièces, car notre garantie ne couvre pas l'installation des pièces.

Si le défaut ne peut être résolu par le remplacement des pièces, nous remplacerons l'appareil complet afin de garantir le bon fonctionnement de votre produit. Cependant, la période de garantie restera valable à la date d'achat initiale et ne sera pas réinitialisée.

---

<sup>1</sup> Si un article est remplacé dans le cadre de cette garantie, la période de garantie initiale reste inchangée. La couverture est basée sur la date d'achat initiale, et non sur la date de réception de l'article de remplacement. Ceci s'applique dans tous les cas, y compris lorsqu'un article de remplacement est fourni.

Nous nous réservons le droit de faire appel à des experts indépendants pour évaluer et vérifier tout défaut signalé avant d'approuver les réclamations sous garantie. Si une évaluation par un tiers est nécessaire, nous vous en informerons et vous tiendrons informé tout au long du processus. Si vous n'êtes pas d'accord avec les conclusions, vous pouvez fournir des informations complémentaires pour un examen plus approfondi.

Après la période de garantie applicable, seuls les panneaux USB et les cordons d'alimentation amovibles seront disponibles à l'achat.

## EXCLUSIONS ET LIMITATIONS

Cette garantie ne couvre pas :

- Les articles sans preuve d'achat valide, sans emballage d'origine, ni les articles d'occasion, ni ceux achetés par le propriétaire initial auprès d'un revendeur agréé.
- Les produits dont la période de garantie est dépassée.

Cette garantie ne couvre pas les dommages ou défauts résultant de :

- Les problèmes non liés à la qualité, y compris l'insatisfaction quant aux performances, l'usure normale ou les dommages esthétiques (par exemple, rayures, décoloration).
- Une installation, un assemblage ou une utilisation incorrects, non conformes aux instructions fournies ou aux recommandations.
- Les réparations, modifications ou entretiens non autorisés effectués par des tiers.
- Les altérations de la finition, de la conception ou du matériel, y compris les transferts de couleur, les rayures ou les modifications de tout composant non autorisées par nous.
- Les appareils électriques personnels, y compris les chargeurs ou accessoires incompatibles.
- Les catastrophes naturelles, y compris, mais sans s'y limiter, les surtensions électriques, les températures extrêmes ou les dégâts des eaux.

## AVIS DE NON-RESPONSABILITÉ CONCERNANT L'UTILISATION DU PORT USB

L'utilisateur est seul responsable de tout dommage causé au produit et/ou à ses appareils personnels suite à une altération des ports USB ou à une utilisation non conforme aux instructions et recommandations du fabricant. Dans ce cas, l'utilisateur sera responsable de tous les frais associés, y compris, mais sans s'y limiter :

- Réparation ou remplacement des produits endommagés (Power Glider)
- Réparation ou remplacement des appareils personnels (par exemple, un téléphone portable)
- Frais de récupération des données
- Frais de remplacement des appareils électroniques et/ou accessoires concernés

## UTILISATION RECOMMANDÉE

Pour garantir des performances optimales, le fauteuil doit être branché directement sur une prise murale. **N'UTILISEZ PAS** de parasurtenseurs, de multiprises, de batteries externes ni de rallonges.

Nos ports USB ont une **puissance maximale de 5V/2A**.

Pour des raisons de sécurité et de bon fonctionnement de la charge, connectez uniquement des appareils utilisant **5V/2A**.

Le branchement d'appareils dépassant cette puissance nominale (par exemple, ordinateurs portables, lampes, tire-lait ou autres appareils) est strictement interdit et sera considéré comme une mauvaise utilisation, annulant toute garantie pour les dommages connexes.

Une mauvaise utilisation peut entraîner :

- Endommagement du fauteuil roulant électrique
- Endommagement des appareils électriques personnels

En utilisant les ports USB fournis, vous reconnaissez et acceptez la responsabilité de tout dommage causé par des appareils non conformes, notamment des ordinateurs portables, des tablettes, des lampes, des tire-lait, des générateurs de bruit blanc ou tout autre appareil dont la tension/l'ampérage dépasse les exigences de **5V/2A**. Si vous n'êtes pas sûr de la compatibilité d'un appareil, veuillez nous contacter à

[www.babyletto.com](http://www.babyletto.com)

## DROITS LÉGAUX

Dans toute la mesure permise par la loi, nous ne sommes pas responsables des dommages indirects, accessoires ou consécutifs résultant de l'utilisation du produit, y compris, mais sans s'y limiter, la perte de données, d'activité ou de biens personnels.


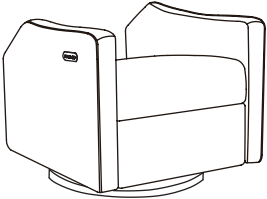



Cette garantie vous confère des droits légaux spécifiques, et vous pouvez bénéficier de droits supplémentaires en vertu des lois applicables en matière de protection des consommateurs, qui varient selon la juridiction.

### REMARQUE IMPORTANTE :

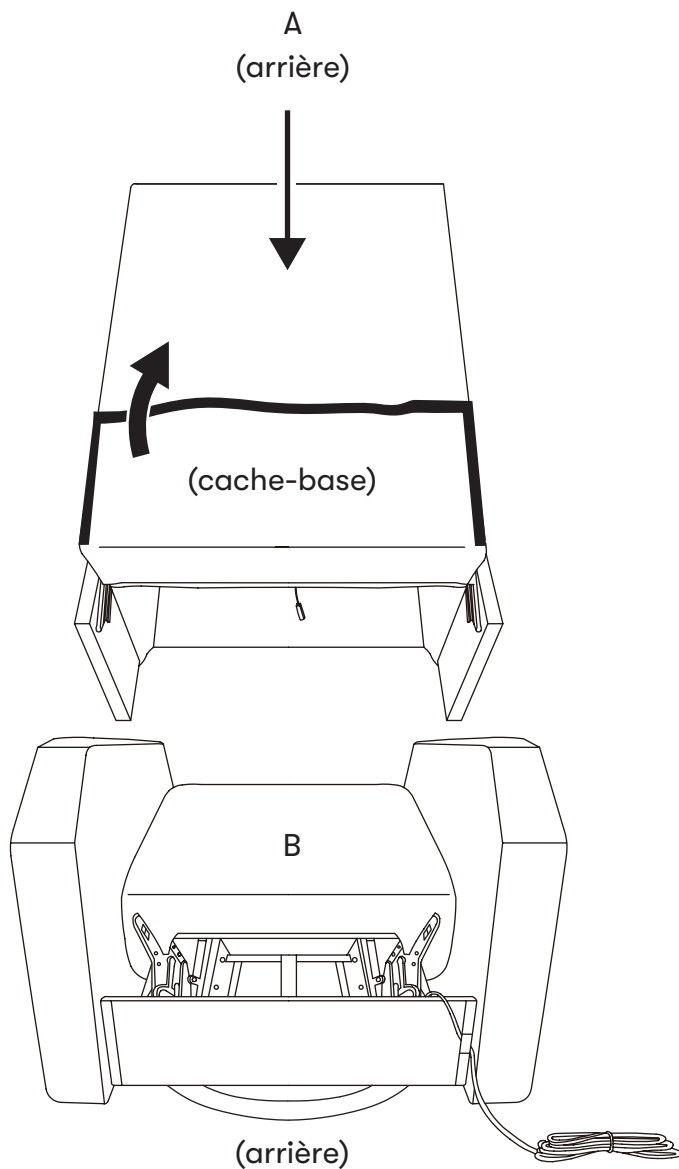
Un assemblage inapproprié pourrait endommager votre produit ou causer du tort à votre enfant. Par conséquent, un assemblage adéquat est essentiel pour assurer un résultat sécuritaire et confortable. Veuillez lire toutes les instructions avant l'assemblage et conserver ce manuel pour utilisation ultérieure.

# LISTE DES PIÈCES

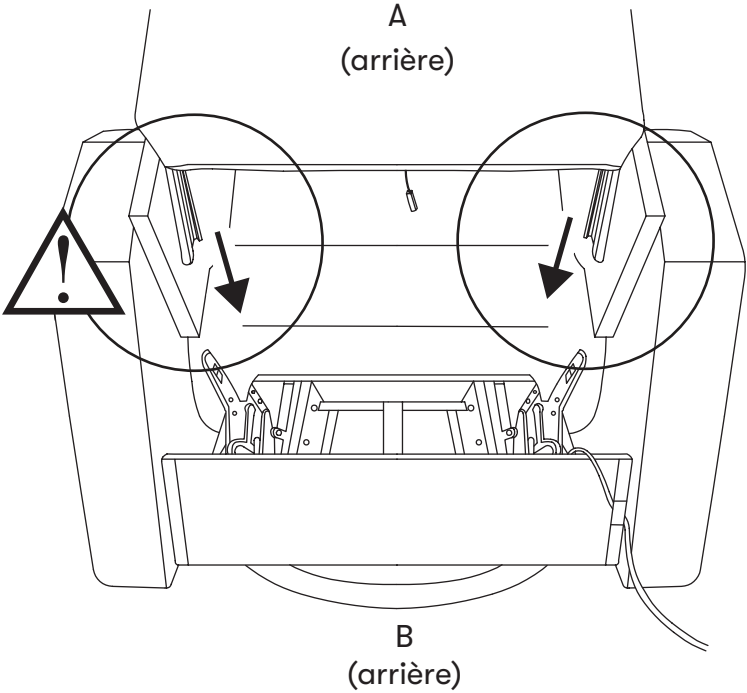
Suivre les instructions dans l'ordre où elles apparaissent.

Pièces	N° de réf.	Description
	A x 1	Dossier de siège
	B x 1	Base
	C x 1	Coussin
	D x 1	Panneau latéral gauche
	E x 1	Panneau latéral droit

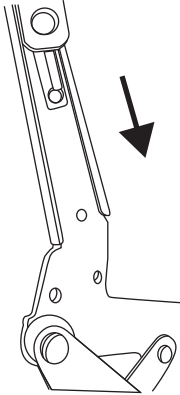
## ÉTAPE 1



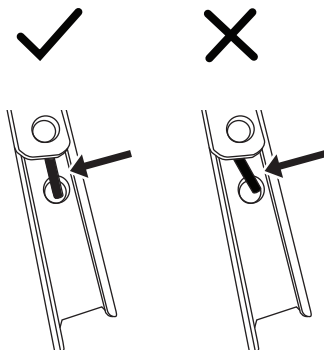
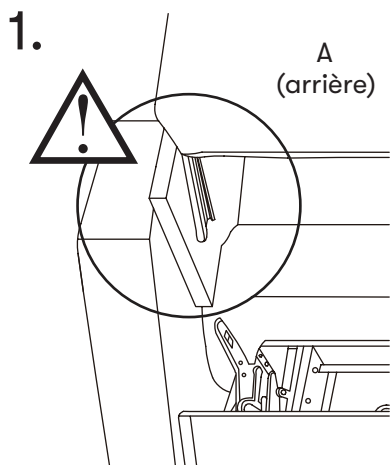
# ÉTAPE 1 (DÉTAILS)



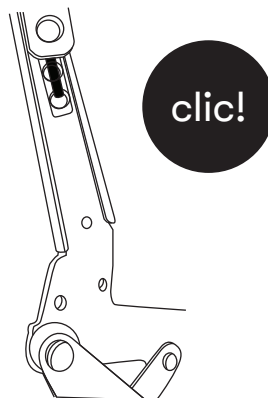
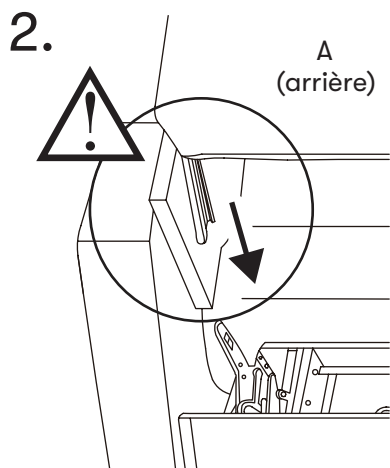
x2



## Conseils sur le mécanisme de verrouillage

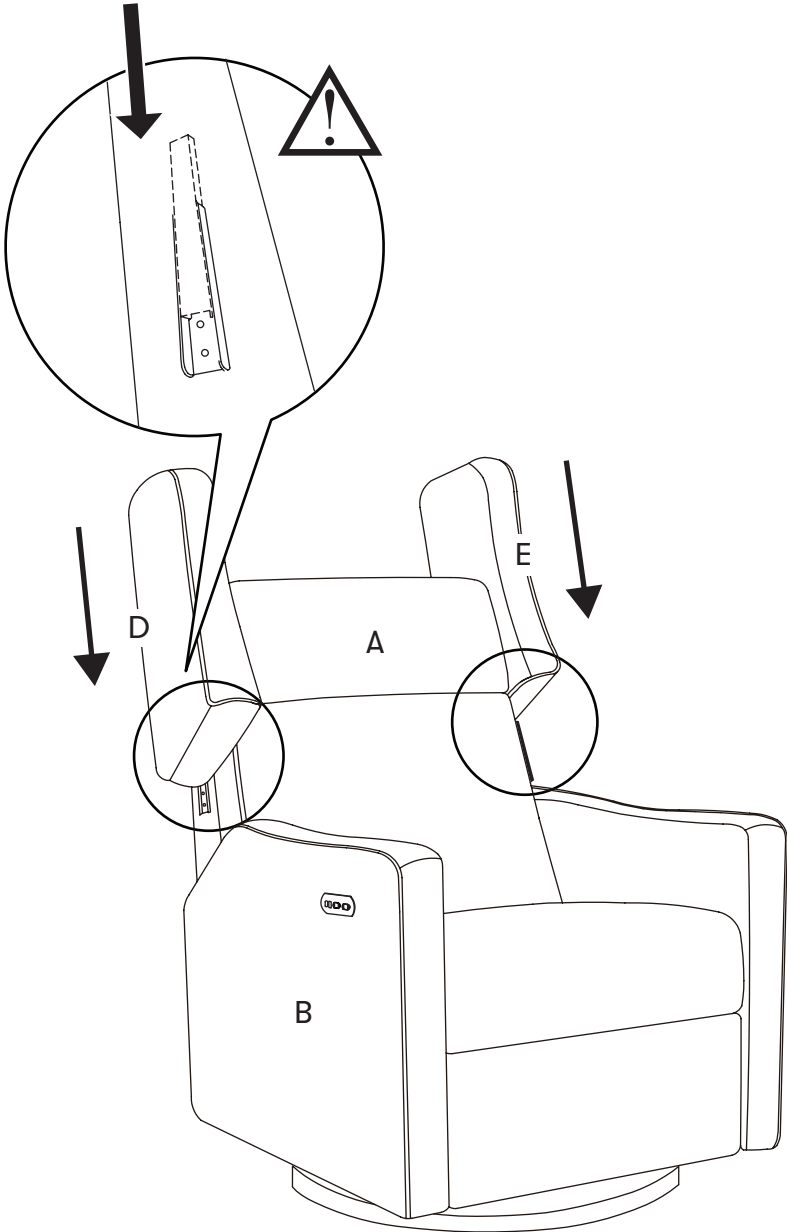


S'assurer que le mécanisme de verrouillage de chaque rail métallique est aligné au centre.

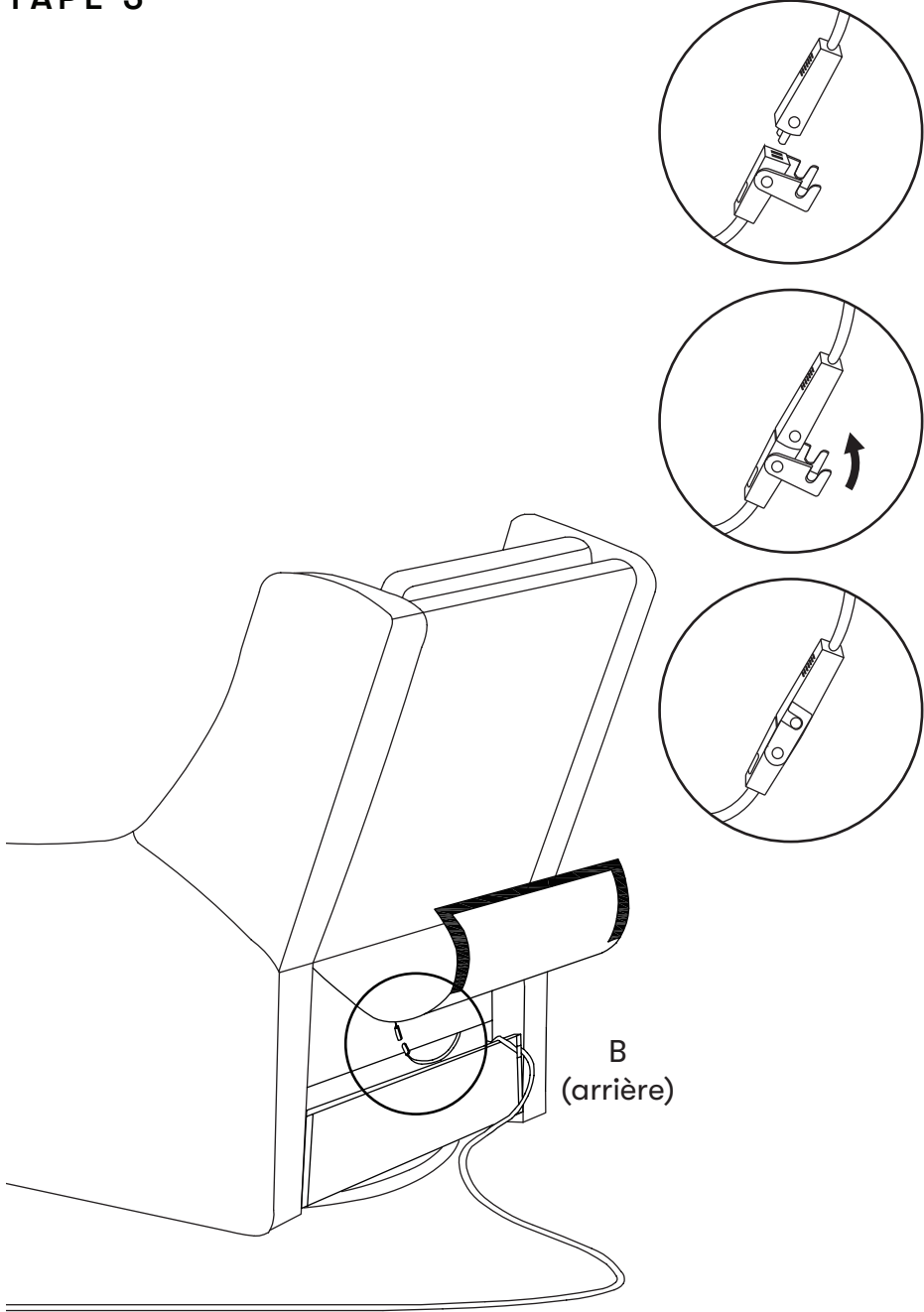


Appuyez fermement sur les deux côtés à la fois. **Un clic** devrait se faire entendre lorsque le dossier se bloque en place de chaque côté.

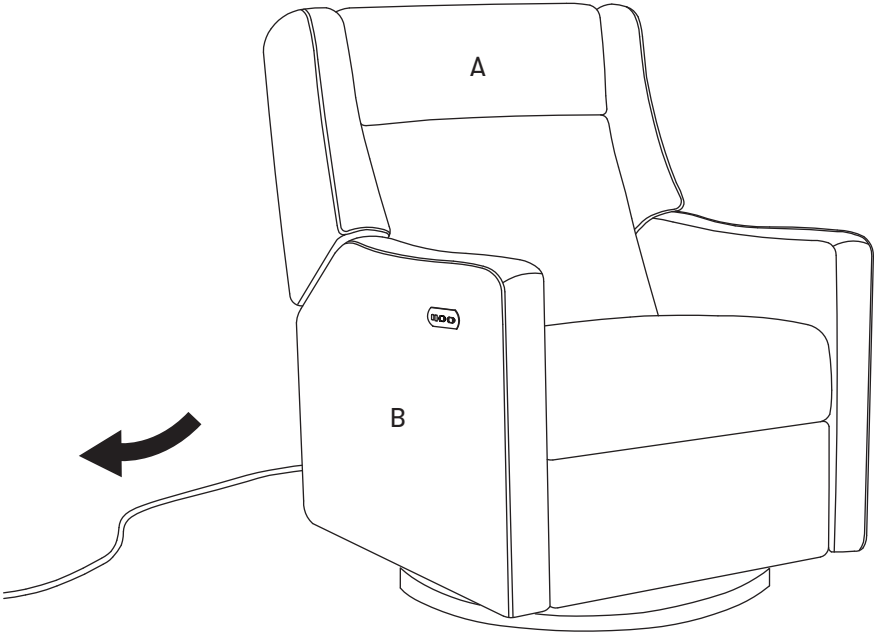
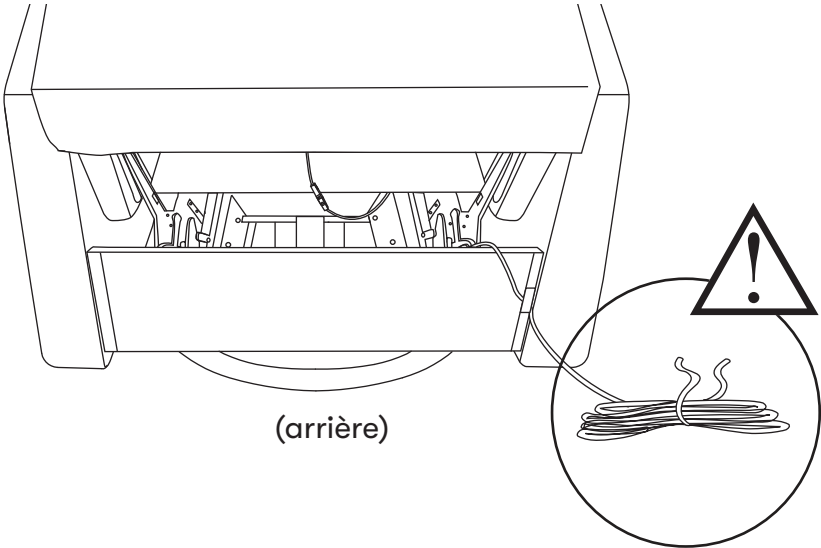
# ÉTAPE 2



# ÉTAPE 3



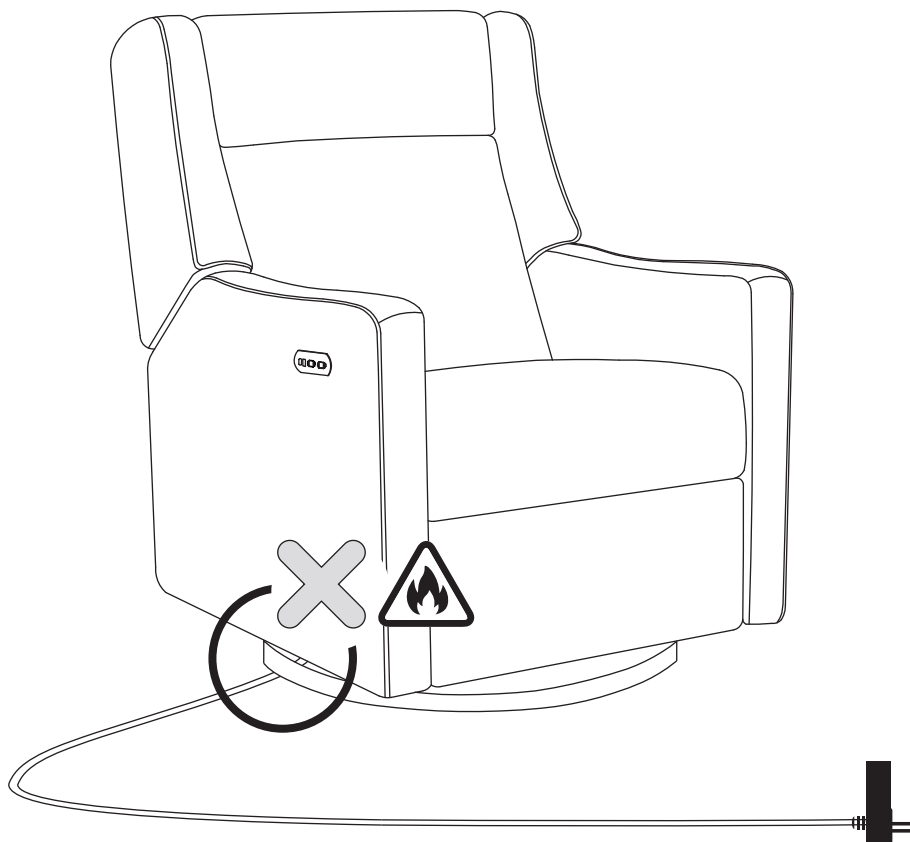
# ÉTAPE 4



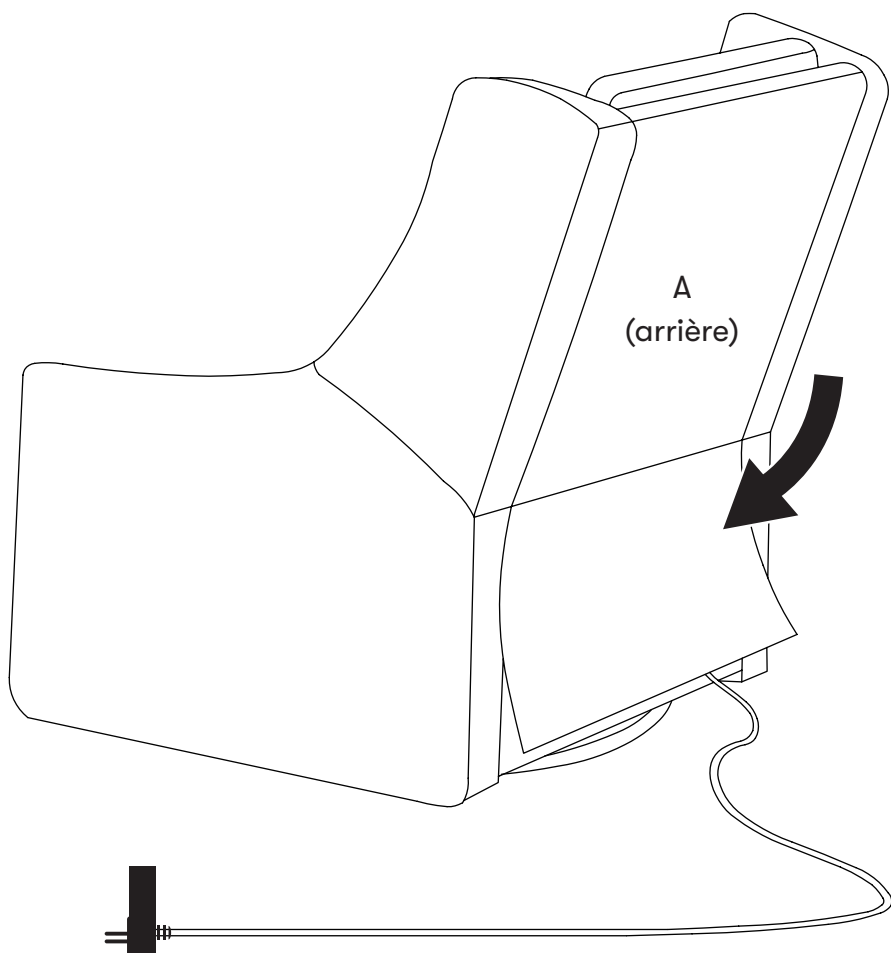


# AVERTISSEMENT

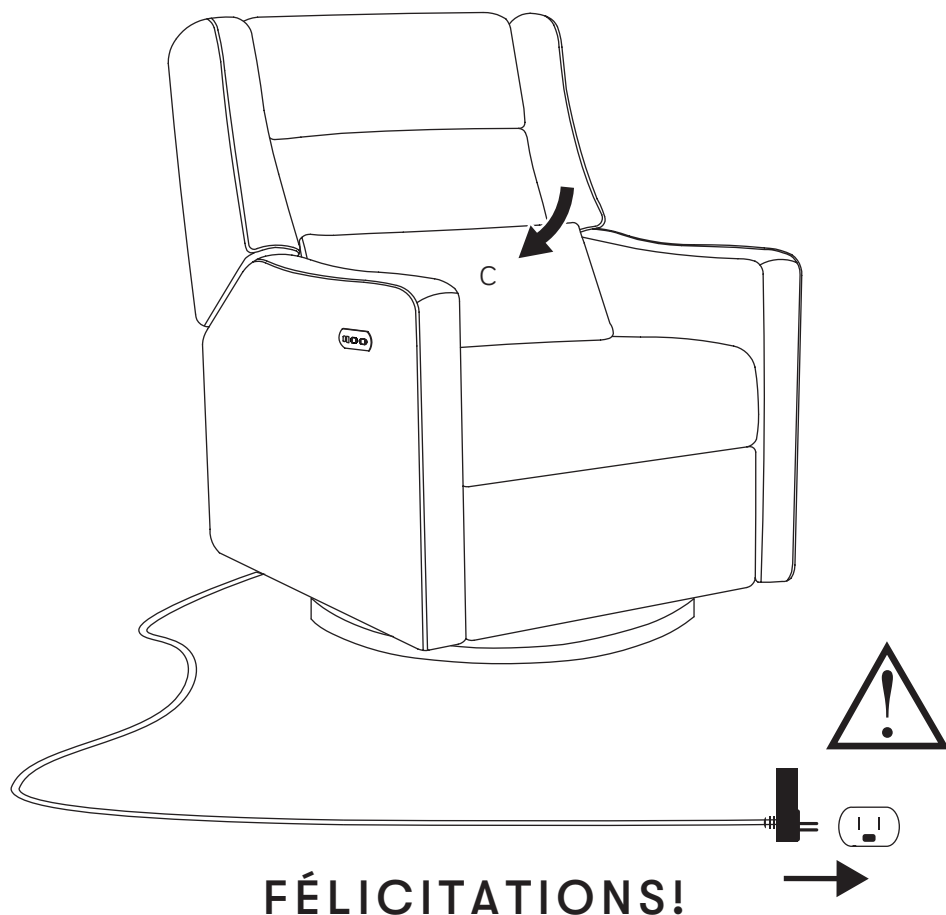
**VEILLER À CE QUE LE CÂBLE D'ALIMENTATION  
NE SE TROUVE PAS SOUS LA BASE EN BOIS.  
CELA POSE UN RISQUE D'INCENDIE.**



## ÉTAPE 5



## ÉTAPE 6



**FÉLICITATIONS!**

\* Si la chaise ne fonctionne pas après avoir suivi ces étapes, veuillez vérifier que le cordon situé sous la chaise est complètement branché sur le moteur de la chaise.

## **ATTENTION :**

Risque de choc électrique. À utiliser uniquement dans un endroit sec.  
Cet appareil numérique de classe B est conforme à la norme canadienne ICES-003.

Cet appareil est conforme à la partie 15 des règlements de la FCC.

## **AVERTISSEMENT :**

L'utilisation de cet appareil est assujettie aux deux conditions suivantes :

- 1) Cet appareil ne doit pas entraîner des interférences préjudiciables, et
  - 2) Cet appareil doit accepter toutes les interférences reçues, y compris celles pouvant en gêner le fonctionnement.
- 

## **CONSIGNES DE SÉCURITÉ RELATIVES AU CORDON D'ALIMENTATION**

### **AVERTISSEMENT :**

DÉBRANCHER ET RETIRER LE CORDON D'ALIMENTATION DU MUR ET DE LA PRISE DE COURANT À L'ARRIÈRE DU FAUTEUIL INCLINABLE À COMMANDE ÉLECTRIQUE LORSQU'IL N'EST PAS UTILISÉ ET RANGER LE CORDON HORS DE LA PORTÉE DES ENFANTS.

### **DANGER :**

**Afin de réduire les risques de décharge électrique :**

Toujours débrancher le fauteuil inclinable à commande électrique de la prise de courant avant le nettoyage.

---

## **PANNEAU DE CONTRÔLE**

Il convient de noter que toute modification qui n'est pas autorisée par la partie responsable de la conformité de l'appareil peut rendre l'utilisateur inapte à faire fonctionner l'équipement.

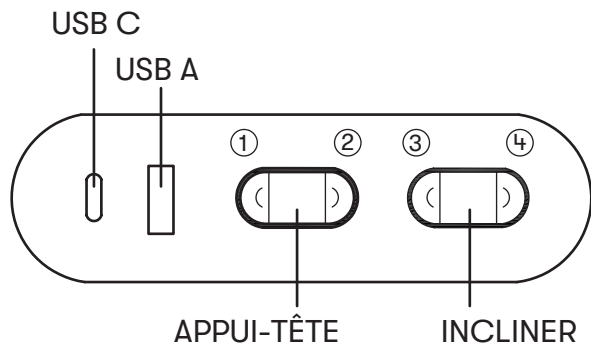
## REMARQUE

Cet équipement a été testé et déclaré conforme aux limites des appareils numériques de classe B, en vertu de la partie 15 des règlements de la FCC. Ces limites sont établies pour fournir une protection raisonnable contre les interférences nuisibles dans une installation résidentielle. Cet équipement génère, utilise et peut émettre de l'énergie radiofréquence et, s'il n'est pas installé conformément aux instructions, peut causer des interférences nuisibles aux communications radio. Il n'y a cependant aucune garantie que l'interférence ne se produira pas dans le cas d'une installation particulière. Si cet équipement génère des interférences nuisibles à la réception des programmes de radio ou de télévision, ce qui peut être déterminé en allumant et en éteignant l'équipement, l'utilisateur devrait tenter de corriger l'interférence en suivant une ou plusieurs des mesures suivantes :

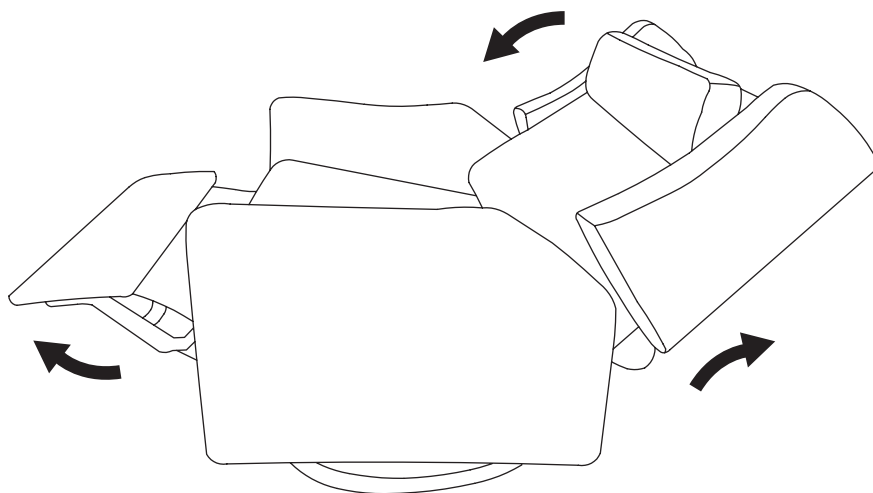
- Réorienter ou déplacer l'antenne réceptrice.
- Augmenter la distance entre l'équipement et le récepteur.
- Brancher l'équipement dans une prise, sur un circuit différent de celui sur lequel le récepteur est branché.
- Consulter le revendeur ou un technicien radio/TV qualifié pour obtenir de l'aide.

# Fauteuil inclinable électrique avec appui-tête électrique Kiwi Plus

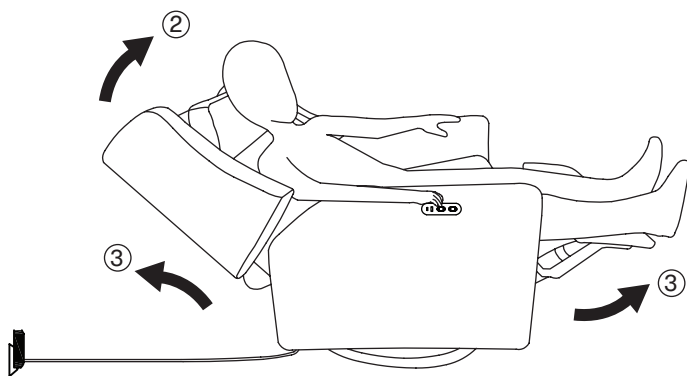
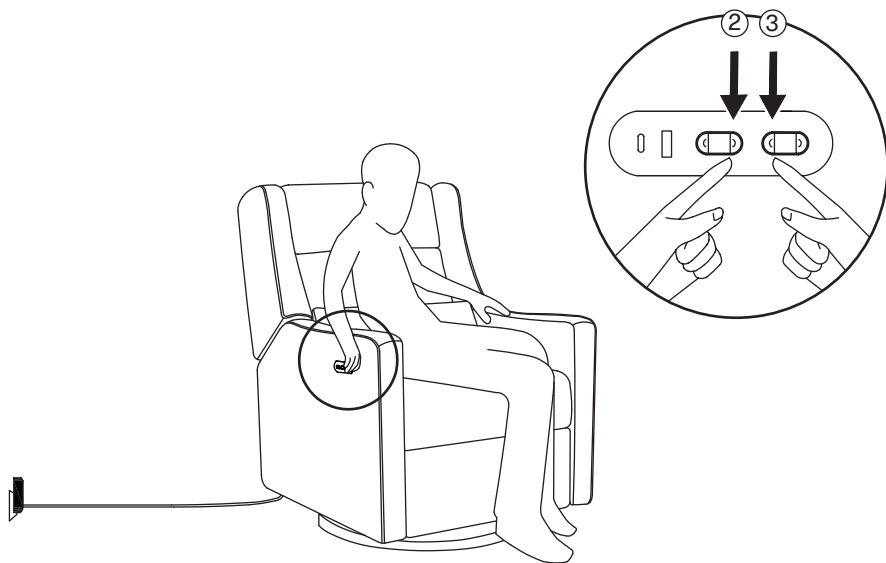
## Réglage électrique de l'inclinaison et de l'appui-tête



- ① Droit / ② Inclinaison ③ Inclinaison / ④ Inclinaison et à la maison



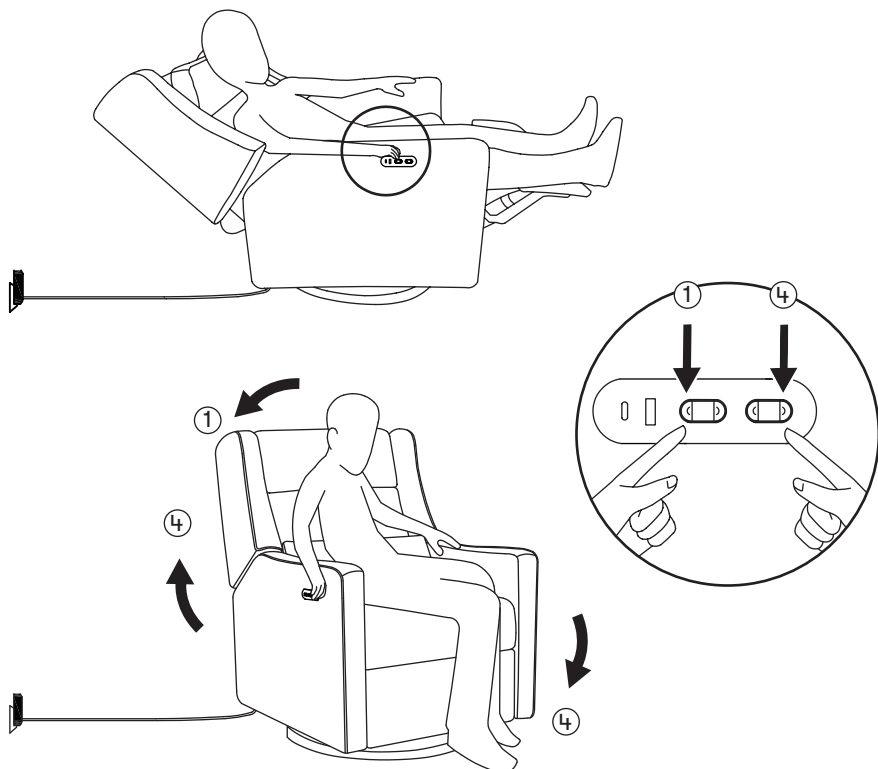
## Réglage électrique de l'inclinaison et de l'appui-tête Pour passer en position inclinée



Pour incliner votre fauteuil, appuyez simplement sur le **bouton d'inclinaison** situé à l'extérieur droit de l'accoudoir.

## Réglage électrique de l'inclinaison et de l'appui-tête

### Pour revenir en position droite



Pour remettre le fauteuil en position verticale, appuyez sur le bouton **inclinaison** et à **la maison** situé à l'extérieur à droite de l'accoudoir.

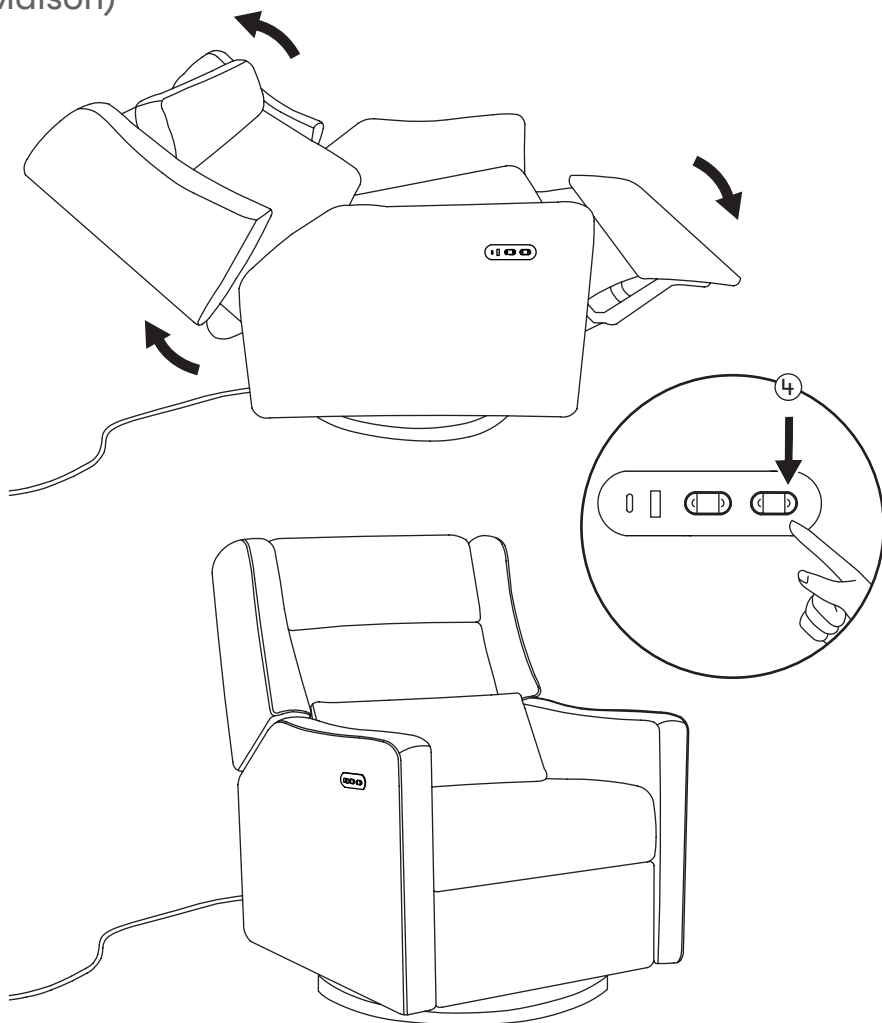
## ATTENTION

Il s'agit d'un meuble mécanique. Ne laissez pas les enfants jouer dessus ni actionner le mécanisme d'inclinaison. Le repose-jambes se replie lors de la fermeture et peut provoquer des blessures. Avant de remettre le fauteuil en position verticale et fermée, assurez-vous qu'aucun enfant, animal ou partie du corps ne se trouve en dessous, à proximité du repose-pieds ou du mécanisme. Remettez toujours le fauteuil en position verticale et fermée lorsqu'il n'est pas utilisé. Seul l'occupant assis doit actionner le mécanisme.

## Réglage électrique de l'inclinaison et de l'appui-tête

Pour revenir en position droite

(Maison)



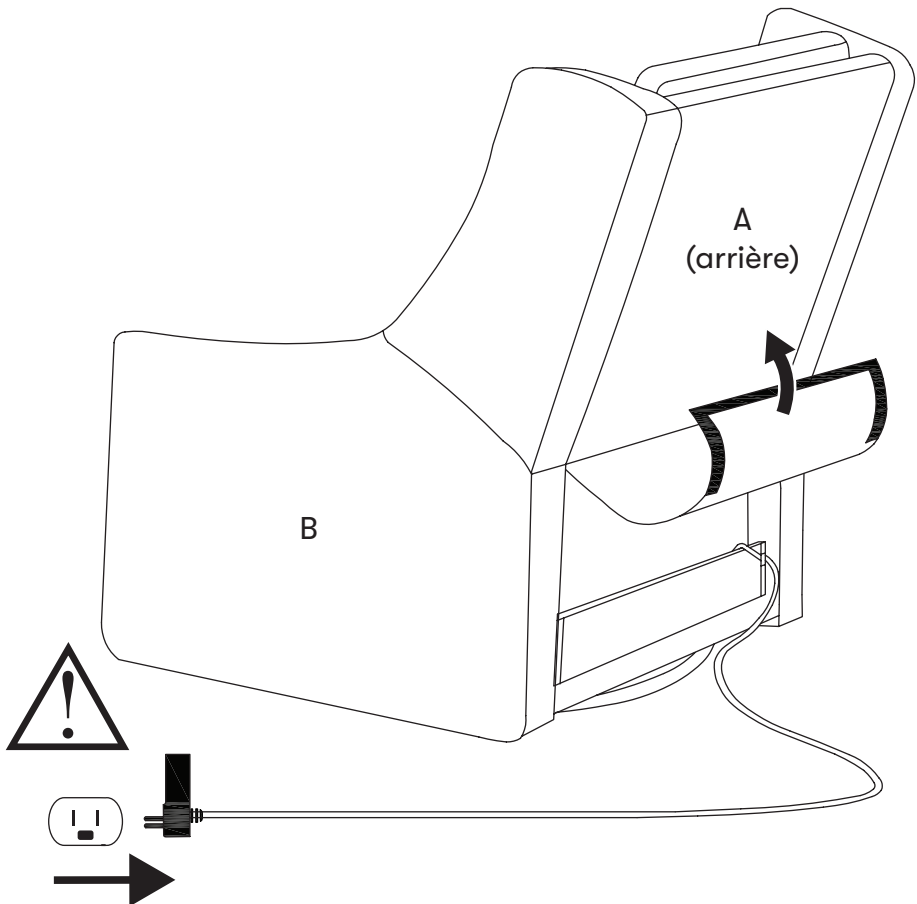
Pour redresser le fauteuil, **appuyez longuement** sur le bouton **inclinaison et à la maison** situé à l'extérieur, à droite de l'accoudoir. Le dossier se relèvera et le repose-pieds s'abaissera automatiquement. **Relâchez le bouton** à tout moment pour revenir à la position souhaitée. Maintenez le bouton enfoncé jusqu'à ce que le fauteuil soit complètement redressé pour un redressement complet.

# Fauteuil inclinable électrique avec appui-tête électrique

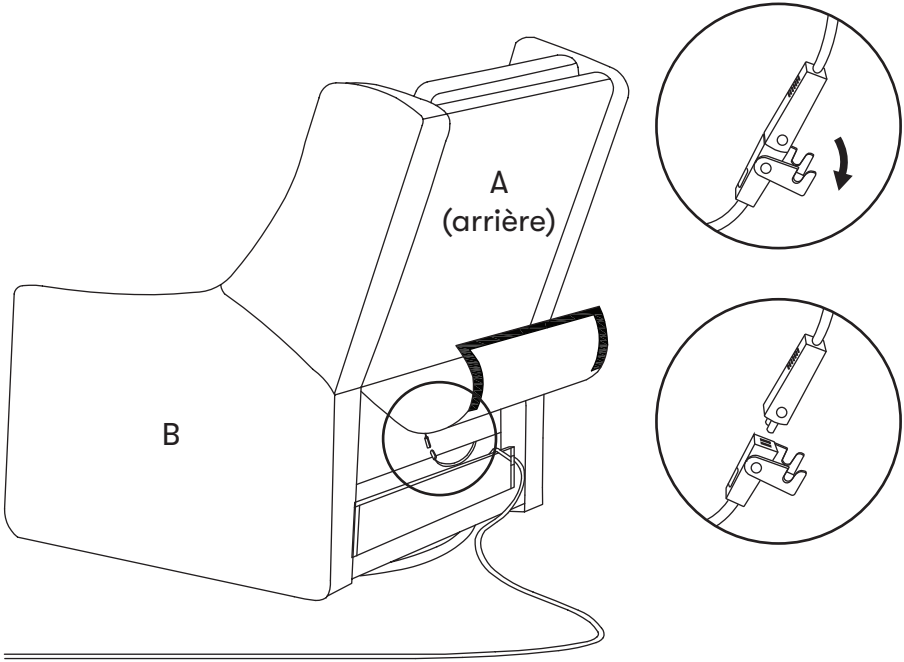
## Kiwi Plus

### Comment démonter

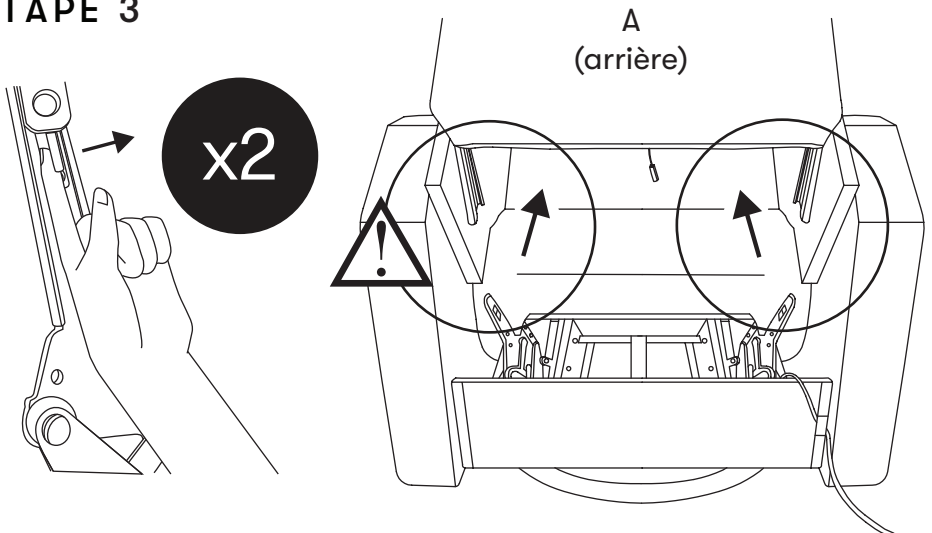
#### ÉTAPE 1



## ÉTAPE 2



## ÉTAPE 3





Registering your product is even easier than before.  
You can register your product on our website at :

[www.babyletto.com/registrations](http://www.babyletto.com/registrations)

•

If you would like to order replacement  
or missing parts please visit us at :

[www.babyletto.com/parts](http://www.babyletto.com/parts)

or you can contact us by mail :

**Babyletto**  
8500 Rex Rd.,  
Pico Rivera, CA 90660  
Tel: 323-282-5163

---

L'enregistrement de votre produit est plus facile que jamais.  
Prière de l'enregistrer sur notre site Web à :

[www.babyletto.com/registrations](http://www.babyletto.com/registrations)

•

Pour commander des pièces de rechange  
ou manquantes, nous visiter à :

[www.babyletto.com/parts](http://www.babyletto.com/parts)

ou nous contacter par la poste à :

**Babyletto**  
8500 Rex Rd.,  
Pico Rivera, CA 90660  
Tél. : 323 282-5163