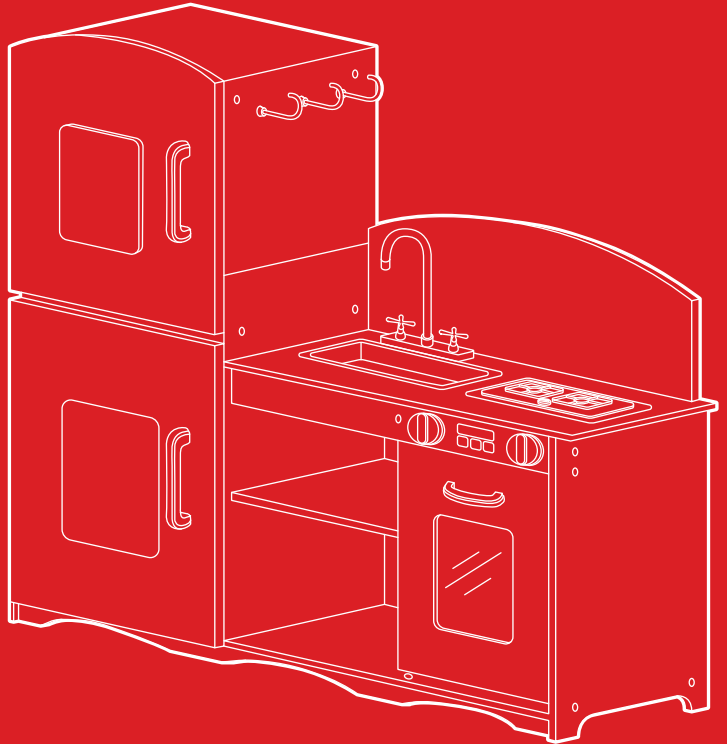




bestchoiceproducts



INSTRUCTION MANUAL

Kids Kitchen Playset



bcp

bestchoiceproducts

Thank you for choosing us! Since 2002, Best Choice Products has been bringing customers high-quality products at the absolute lowest price. With everything ranging from instruments and toys to furniture and outdoor, we've got your everyday living essentials covered. We're centered around a customer-first philosophy - with free shipping, exceptional customer service, and a catalog sourced with you in mind.

NOTICE

Please retain these instructions for future reference.

- Do not stand on or use any part of this item as a step ladder.
- Firmly secure all bolts, screws and knobs before use.
- Reconfirm that all bolts, screws, and knobs are secure every 90 days.
- Do not use or store this item in the proximity of open flame or flammable/combustible chemicals.
- If any parts are missing, broken, damaged, or worn, stop using this item until repairs are made and/or factory replacement parts are installed.
- Do not use this item in a way inconsistent with the manufacturer's instructions as this could void the product warranty.
- To wipe down item, use a damp cloth. Then, wipe it down once more with a dry cloth.

TOOLS REQUIRED



PHILLIPS
SCREWDRIVER



4 AAA BATTERIES



1 PERSON
ASSEMBLY



APPROXIMATELY
60 MIN.
ASSEMBLY

HARDWARE

1 M4 x 35mm
SCREW



26 PCS

2 M4 x 25mm
SCREW



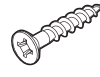
7 PCS

3 M4 x 20mm
SCREW



12 PCS

4 M4 x 16mm
SCREW



2 PCS

5 M4 x 10mm
SCREW



28 PCS

6 M3 x 20mm
SCREW



3 PCS

7 M3 x 8mm
SCREW



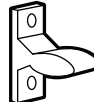
12 PCS

8 HINGE



6 PCS

9 DOOR INSERT



3 PCS

10 DOOR CATCH



3 PCS

11 HANDLE



3 PCS

12 HOOK



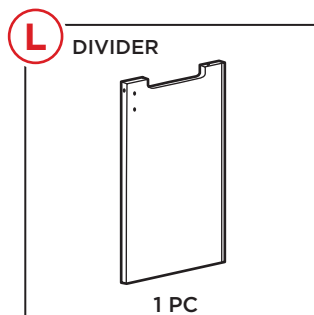
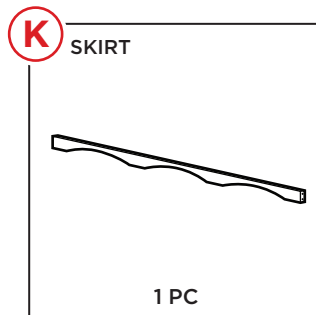
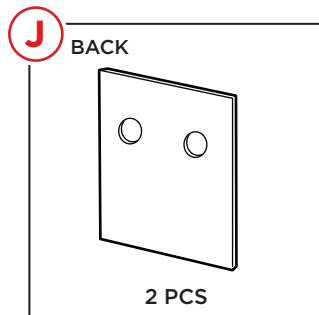
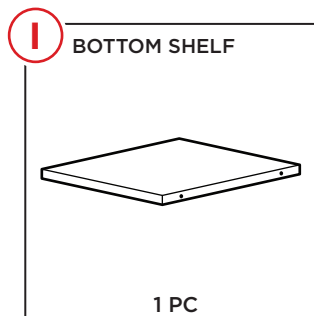
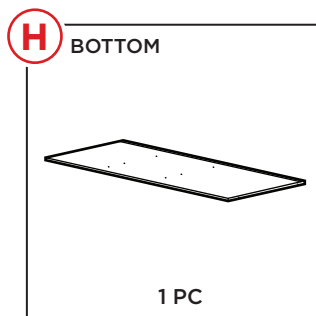
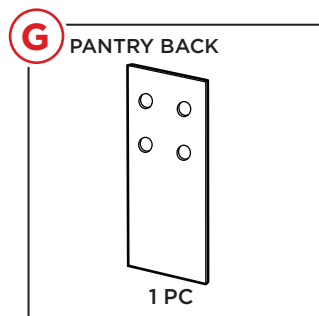
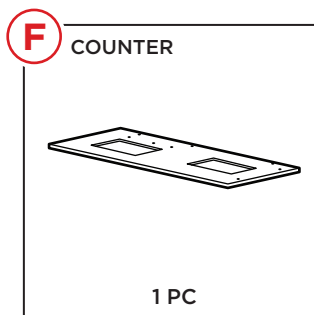
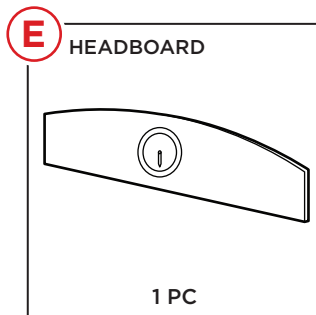
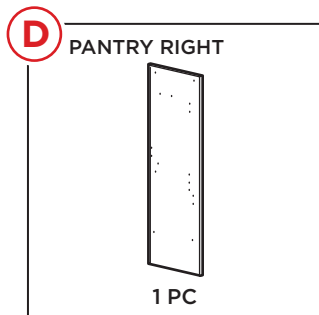
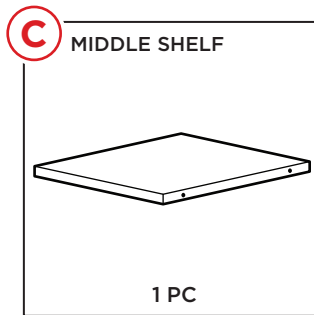
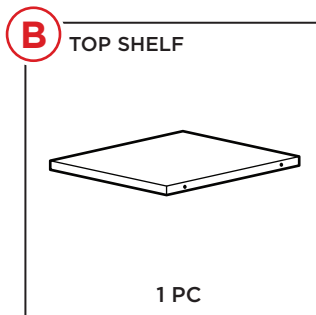
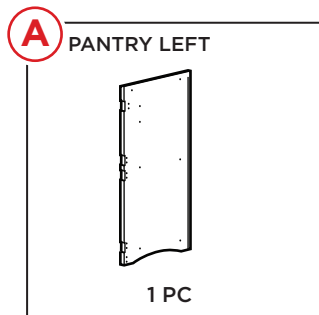
3 PCS

13 DOWEL

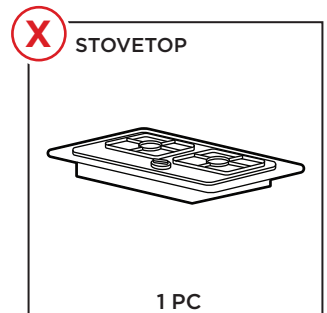
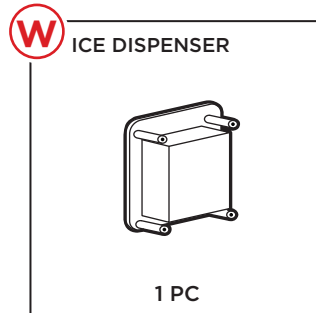
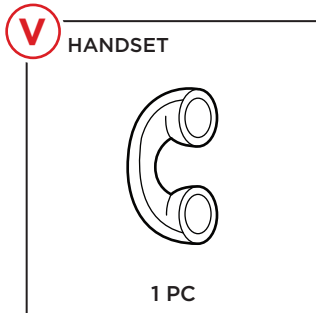
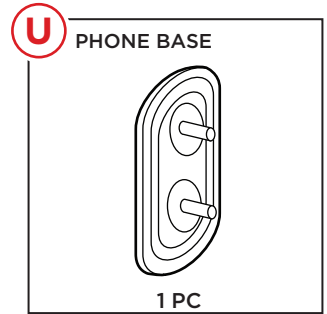
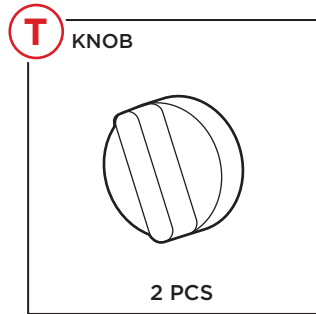
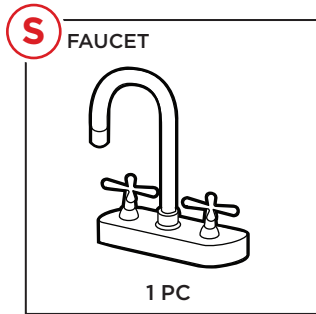
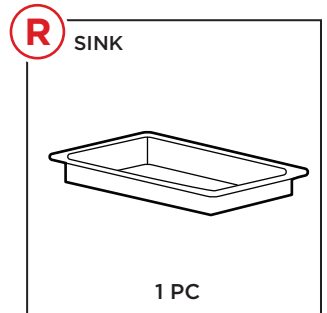
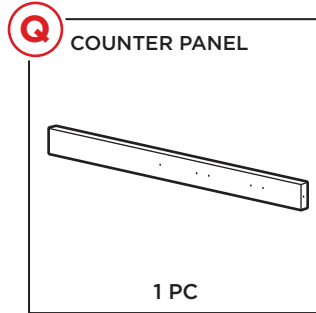
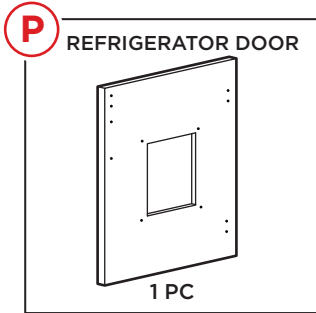
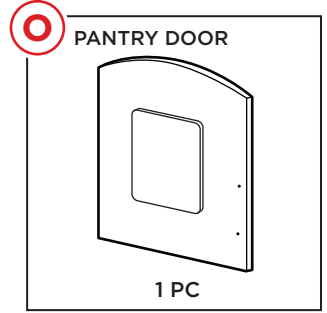
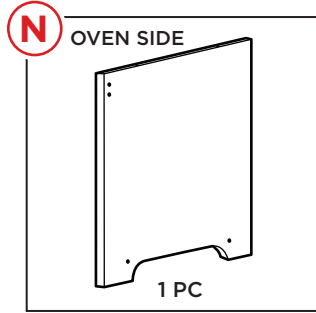
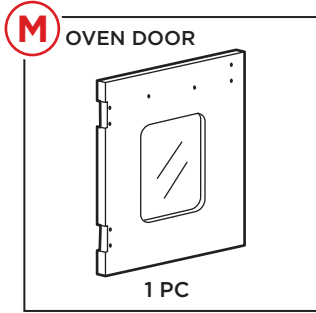


8 PCS

PARTS



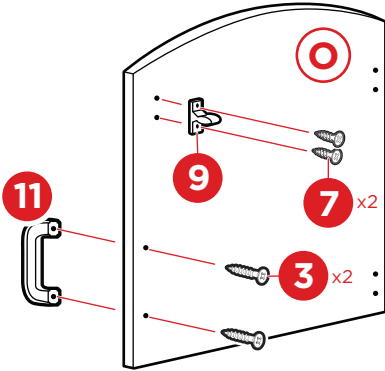
PARTS



PRODUCT ASSEMBLY

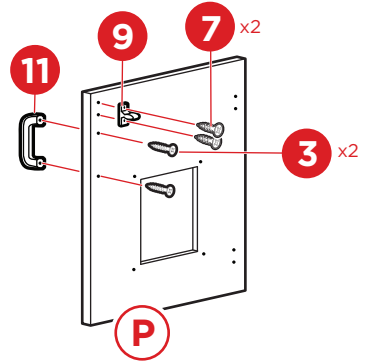
1

Attach a part 11 handle and part 9 door insert to the part O pantry door with two part 3 screws and two part 7 screws.



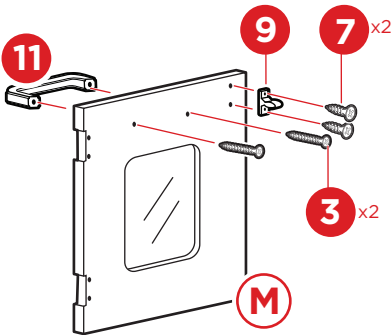
2

Attach a part 11 handle and part 9 door insert to the part P refrigerator door with two part 3 screws and two part 7 screws.



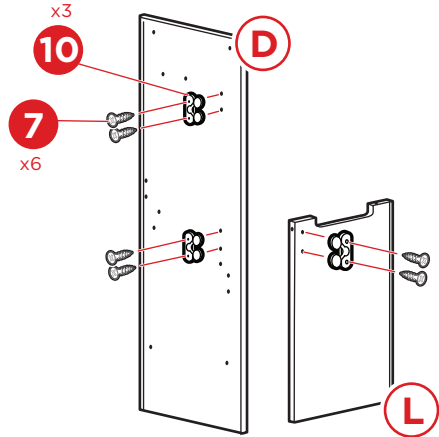
3

Attach a part 11 handle and part 9 door insert to the part M oven door with two part 3 screws and two part 7 screws.



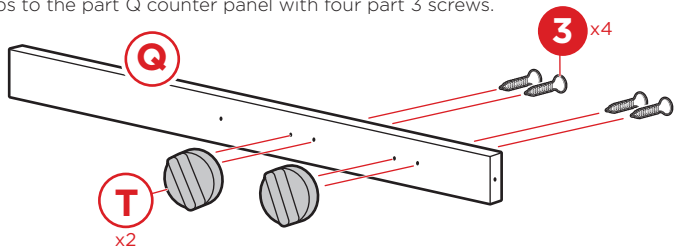
4

Attach three part 10 door catches to the part D pantry right panel and part L divider with six part 7 screws, two screws per door catch.



5

Attach two part T knobs to the part Q counter panel with four part 3 screws.

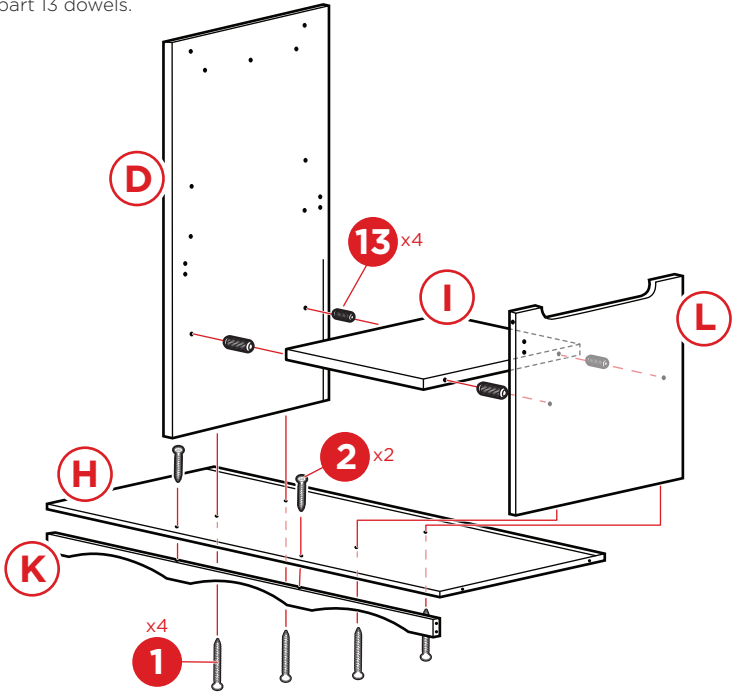


PRODUCT ASSEMBLY

6

Attach part K skirt piece to the part H bottom with two part 2 screws.

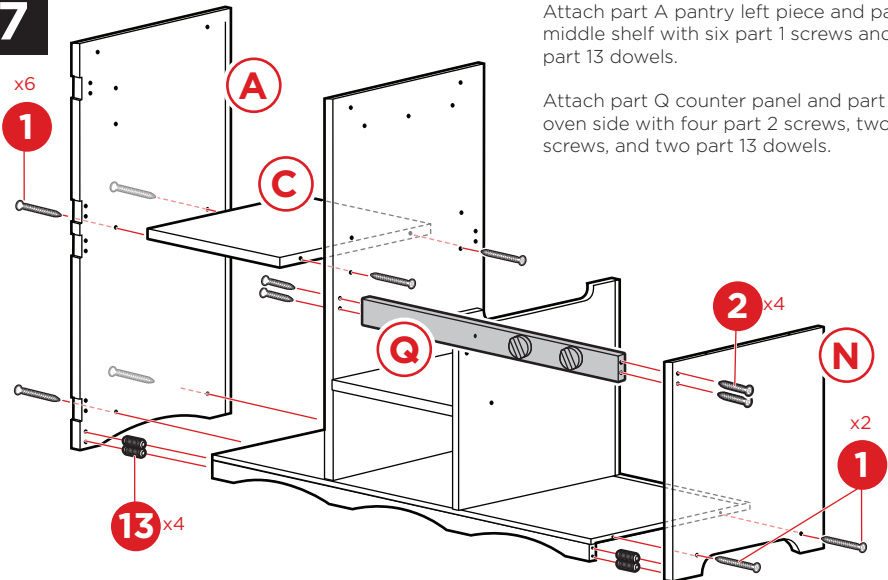
Attach part D pantry right piece, part I bottom shelf, and part L divider with four part 1 screws and four part 13 dowels.



7

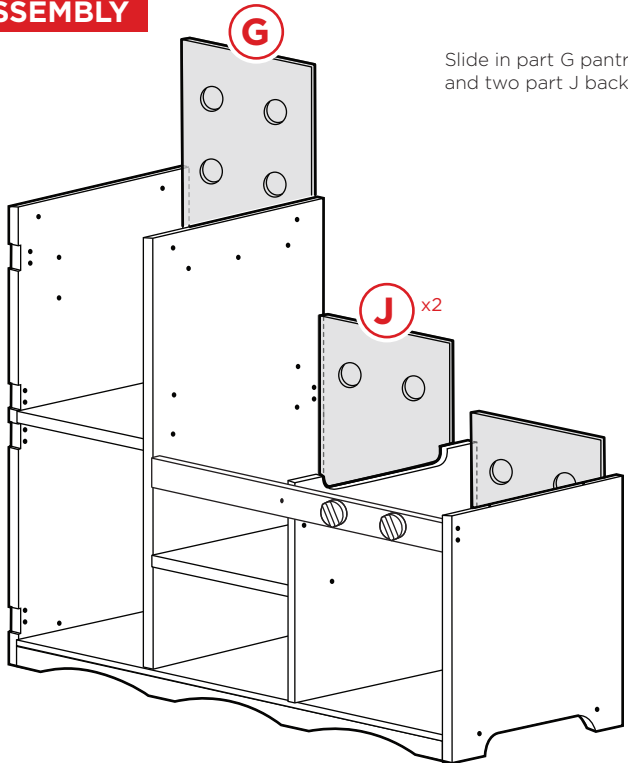
Attach part A pantry left piece and part C middle shelf with six part 1 screws and two part 13 dowels.

Attach part Q counter panel and part N oven side with four part 2 screws, two part 1 screws, and two part 13 dowels.



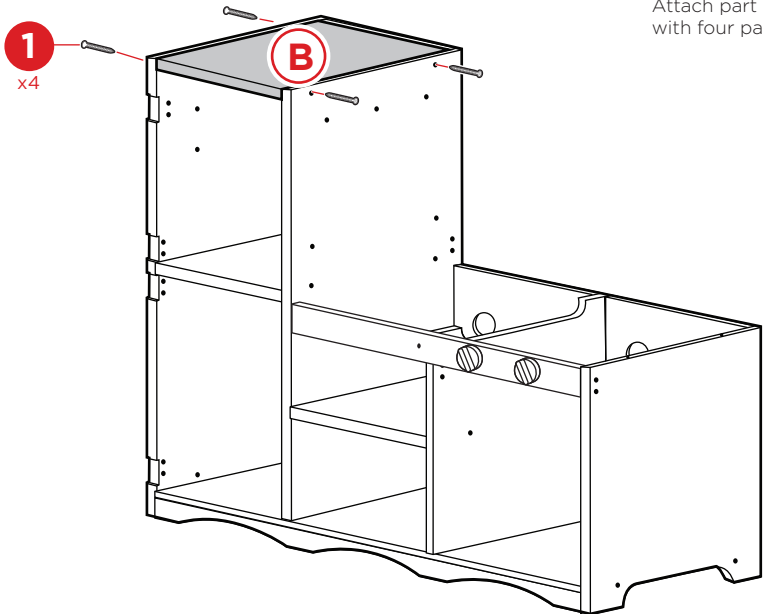
PRODUCT ASSEMBLY

8



Slide in part G pantry back piece and two part J back pieces.

9

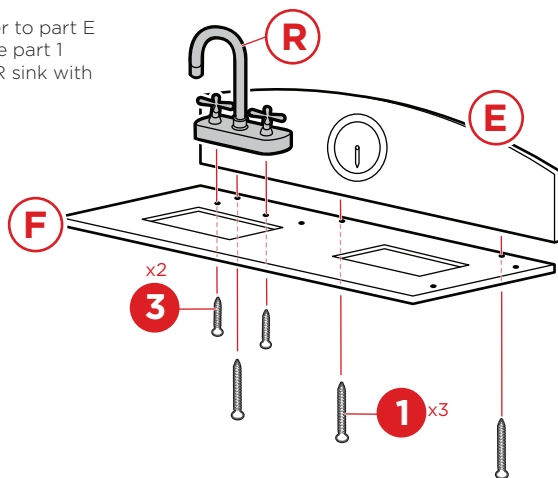


Attach part B top shelf with four part 1 screws.

PRODUCT ASSEMBLY

10

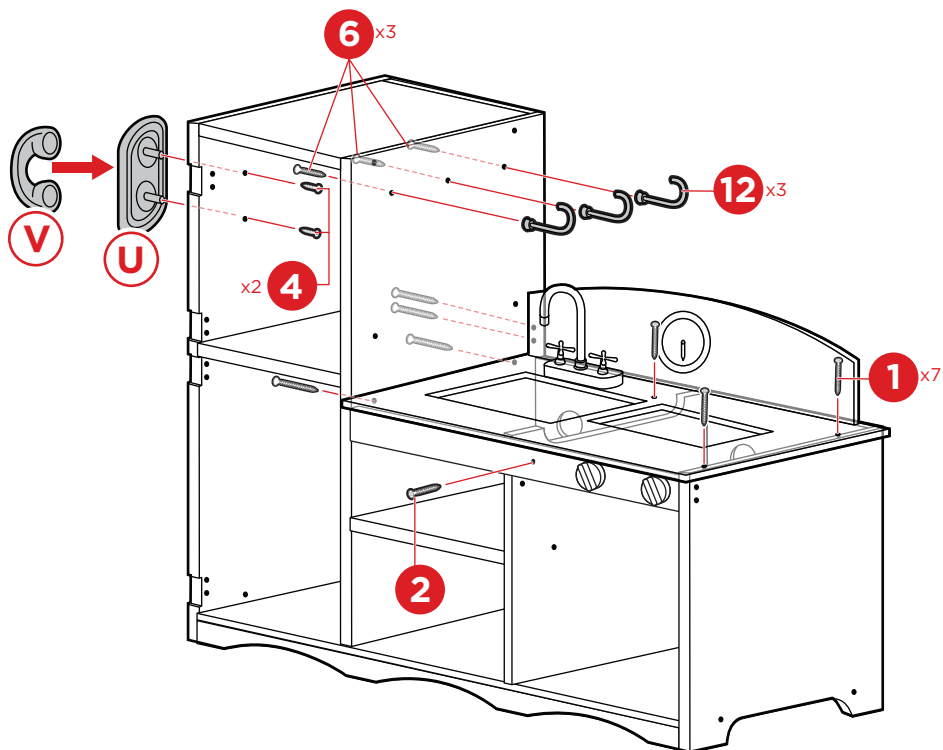
Attach part F counter to part E headboard with three part 1 screws. Attach part R sink with two part 3 screws.



11

Attach the counter/headboard with seven part 1 screws and a part 2 screw.

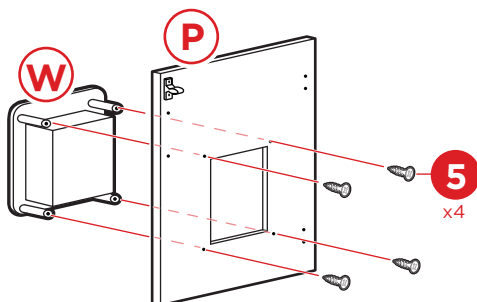
Attach three part 12 hooks with three part 6 screws. Attach part U phone base with two part 4 screws. Insert the part V handset.



PRODUCT ASSEMBLY

12

Attach the part W ice dispenser to the refrigerator door with four part 5 screws.

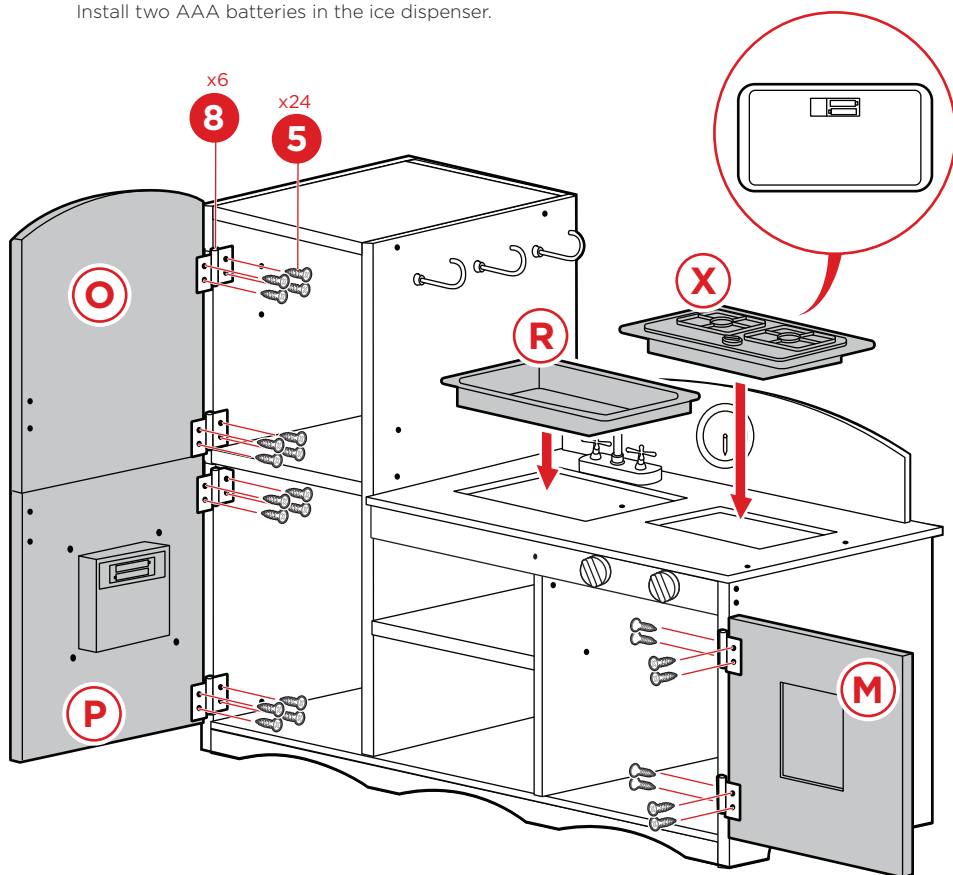


13

Attach part O pantry door, part P refrigerator door, and part M oven door with twenty-four part 5 screws and six part 8 hinges, four screws per hinge.

Install two AAA batteries in the part X stovetop, then insert the stovetop and part R sink.

Install two AAA batteries in the ice dispenser.





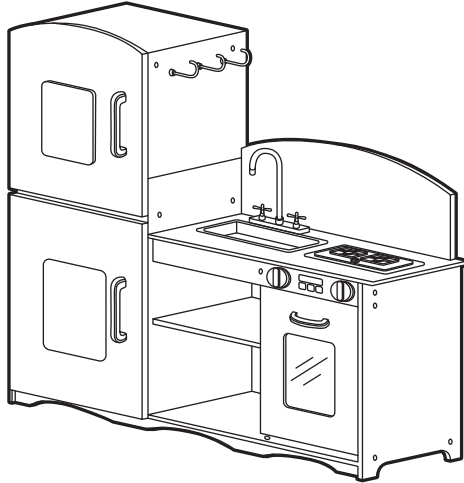
bestchoiceproducts

Check out more great products:

[bestchoiceproducts.com](https://www.bestchoiceproducts.com)

ASSEMBLY COMPLETE!

bcp



PRODUCT WARRANTY INFORMATION

All items can be returned for any reason within 60 days of the receipt and will receive a full refund as long as the item is returned in its original product packaging and all accessories from its original shipment are included. All returned items will receive a full refund back to the original payment method. All returned items will not be charged a re-stocking fee.

All returned items require an RA (Return Authorization) number, which can only be provided by a Best Choice Products Customer Service Representative when the return request is submitted. Items received without an RA may not be accepted or may increase your return processing time. Once an item has been received by Best Choice Products, refunds or replacements will be processed within 5 business days.

All returns must be shipped back to the Best Choice Products Return Center at the customer's expense. If the reason for return is a result of an error by Best Choice Products then Best Choice Products will provide a pre-paid shipping label via email. Boxes for return shipping will not be provided by Best Choice Products, and is the customer's responsibility to either use the original shipping boxes or purchase new boxes.

Pictures may be required for some returns to ensure an item is not damaged prior to its return. Items returned are not considered undamaged until they are received by Best Choice Products and verified as such. All damages to items are the customer's responsibility until the item has been received by and acknowledge by Best Choice Products as undamaged.

CONTACT US; WE'RE HERE 7 DAYS A WEEK TO HELP YOU!



bestchoiceproducts.com



customerservice@bestchoiceproducts.com



844.948.8400



[LEARN MORE!](#)

WARNING

Manufacturer and seller expressly disclaim any and all liability for personal injury, property damage or loss, whether direct, indirect, or incidental, resulting from the incorrect attachment, improper use, inadequate maintenance, or neglect of this product.