

# Item : BR3DSLDR

## Assembly Instructions

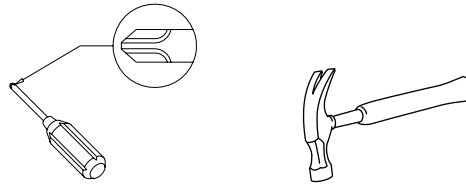


Please visit our website for the most current instructions, assembly tips, to report damage or request parts. [www.walkeredison.com](http://www.walkeredison.com)

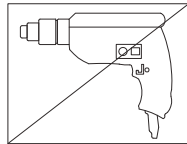
Revised 05/2023-V4

# General Assembly Guidelines

- I. Ensure that all parts and hardware are available before beginning assembly.
- II. Follow each step carefully to ensure the proper assembly of this product.
- III. Two people are recommended for ease in the assembly of this product.
- IV. The three main types of hardware used to assemble this product are wood dowels, screws and bolts.
- V. A Phillips head screwdriver and hammer is required for the assembly of this product.



- V I. Power tools should not be used to assemble this product.



## VII. Maintenance Guide

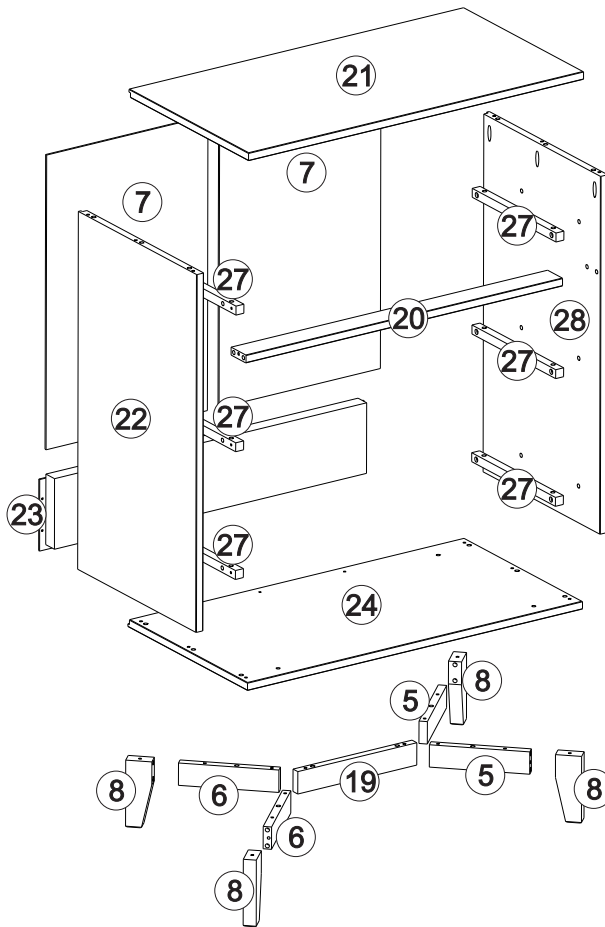
To maintain long term performance and easy gliding of your solid wood drawers, we recommend applying wax to the wooden guide rails.

1. Bee's wax is recommended or Paraffin wax from a standard candle can be used.
2. Apply the wax by rubbing it on the wooden guide rails where there is wood-on-wood contact when opening and closing the drawer. (Wax should be room temperature, do not melt the wax onto the wood)
3. Wax should be applied every few months for the first year and then only when needed after that to keep the drawers sliding smoothly.

# Parts List



The side drawer with WARNING LABEL, should be mounted in highest drawer.

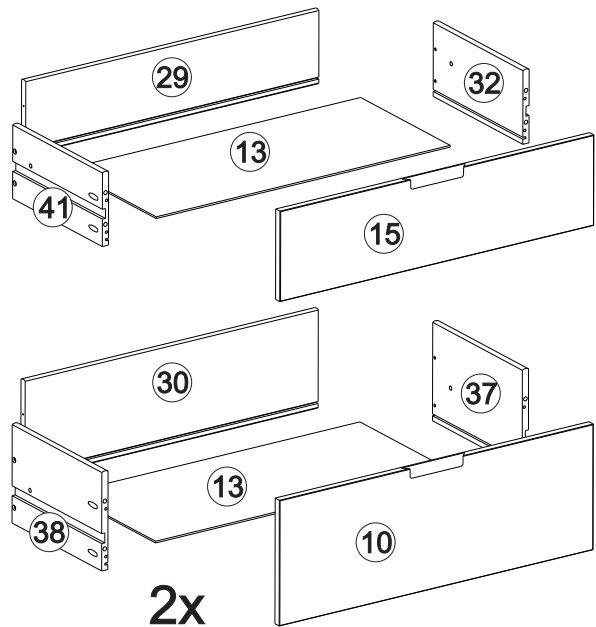


**▲ WARNING**

Children have died from furniture tipover. To reduce the risk of furniture tipover:

- ALWAYS install tipover restraint provided.
- NEVER put a TV on this product.
- NEVER allow children to stand, climb or hang on drawers, doors, or shelves.
- NEVER open more than one drawer at a time.
- Place heaviest items in the lowest drawers.


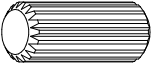


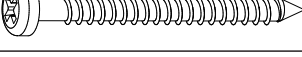
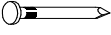
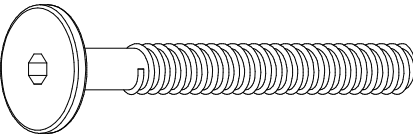

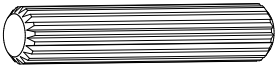
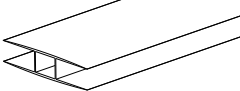


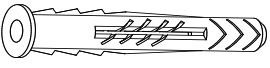
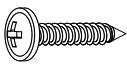
*This is a permanent label. Do not remove!*

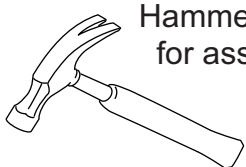


Part#	Description	Qty
5	Right crossbeam foot	02
6	Left crossbeam foot	02
7	Back panel	02
8	Foot	04
10	Large drawer front	02
13	Drawer bottom	03
15	Small drawer front	01
19	Leg crossbeam	01
20	Front crossbeam	01
21	Top panel	01
22	Left side panel	01

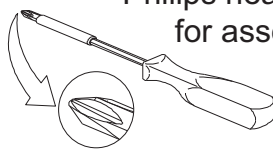
Part#	Description	Qty
23	Anti-tipping	01
24	Base	01
27	Drawer runner	06
28	Right side panel	01
29	Drawer back	01
30	Large drawer back	02
32	Right drawer side	01
37	Large right drawer side	02
38	Large left drawer side	02
41	Left drawer side	01

# Hardware List

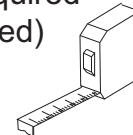
A		Ø8*30mm	Wooden dowel	50 pcs
B		Ø10*20mm	Wooden dowel	12 pcs
C		Ø4*25mm	Screw	18 pcs
D		Ø3,5*30mm	Screw	38 pcs
E		Ø4,0*40mm	Screw	17 pcs
F		Ø10*10mm	Nail	18 pcs
G		Ø7*60mm	Screw	04 pcs
H		4mm	Hex Key	01 pcs
I		Ø8*40mm	Wooden dowel	06 pcs
J		573mm	"H" Profile	01 pc
K			Wall anchor	01 pc
L			Washer	02 pc
M		Ø6*35mm		01 pc
N		Ø3,5*16mm	Screw	05 pc



Hammer recommended for assembly (not included)



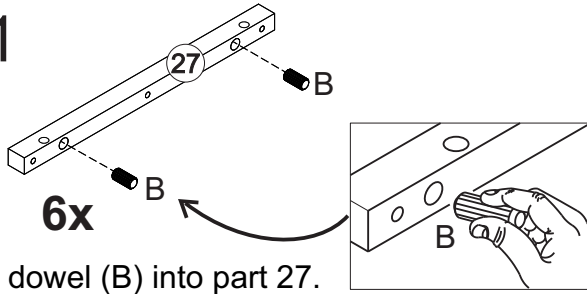
Philips head screwdriver required for assembly (not included)



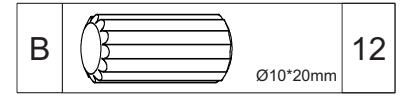
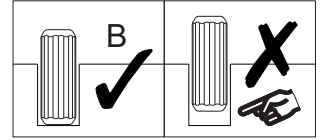
Tape measure required for assembly (not included)

*The hardware quantities listed above are required for proper assembly. Some extra hardware may also have been included.*

# Step 1

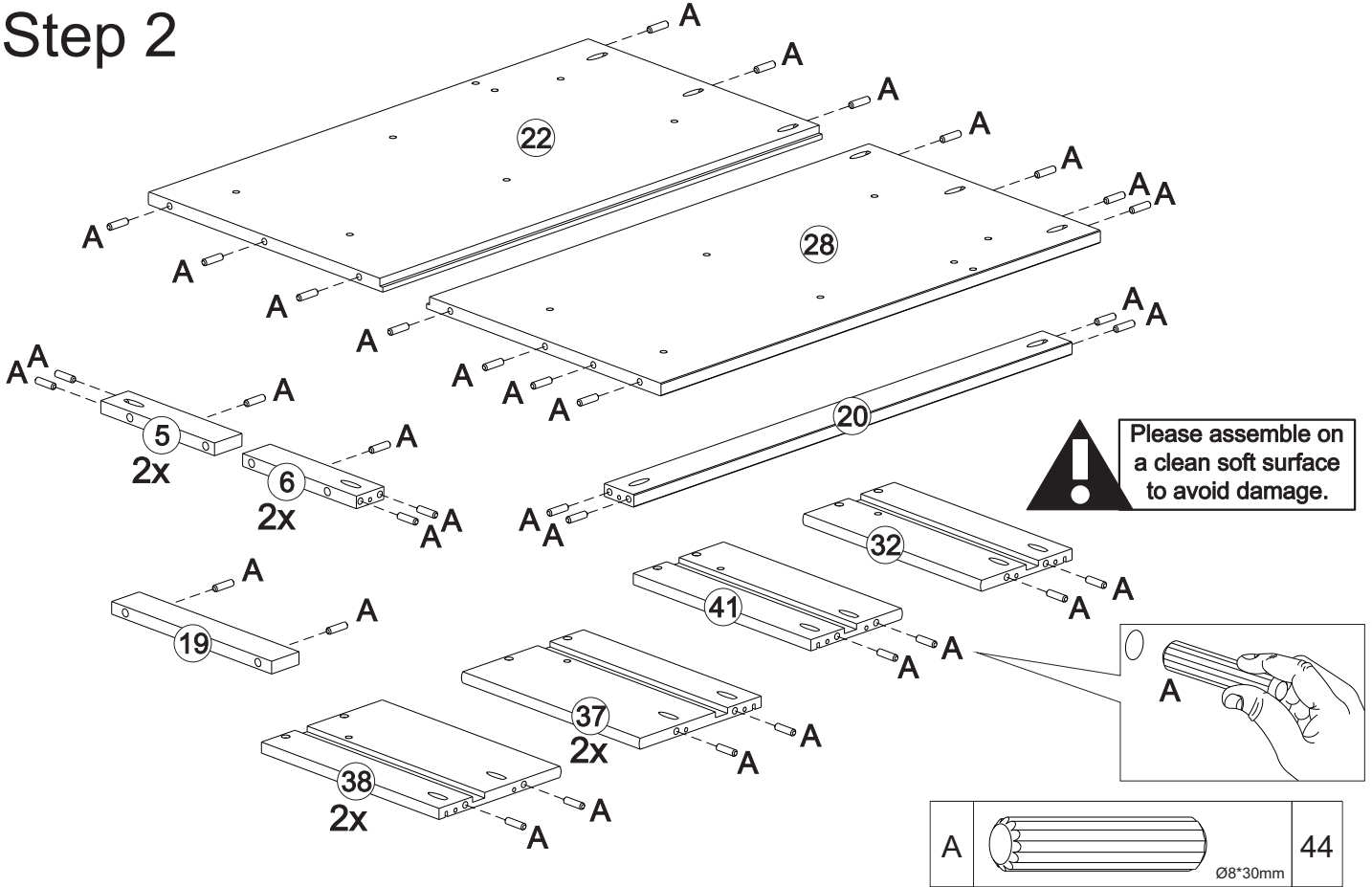


Attention to the  
dowel length:  
Ø10\*20mm

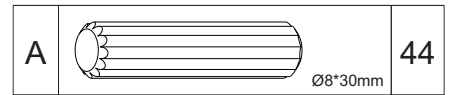


Insert wood dowel (B) into part 27.

# Step 2

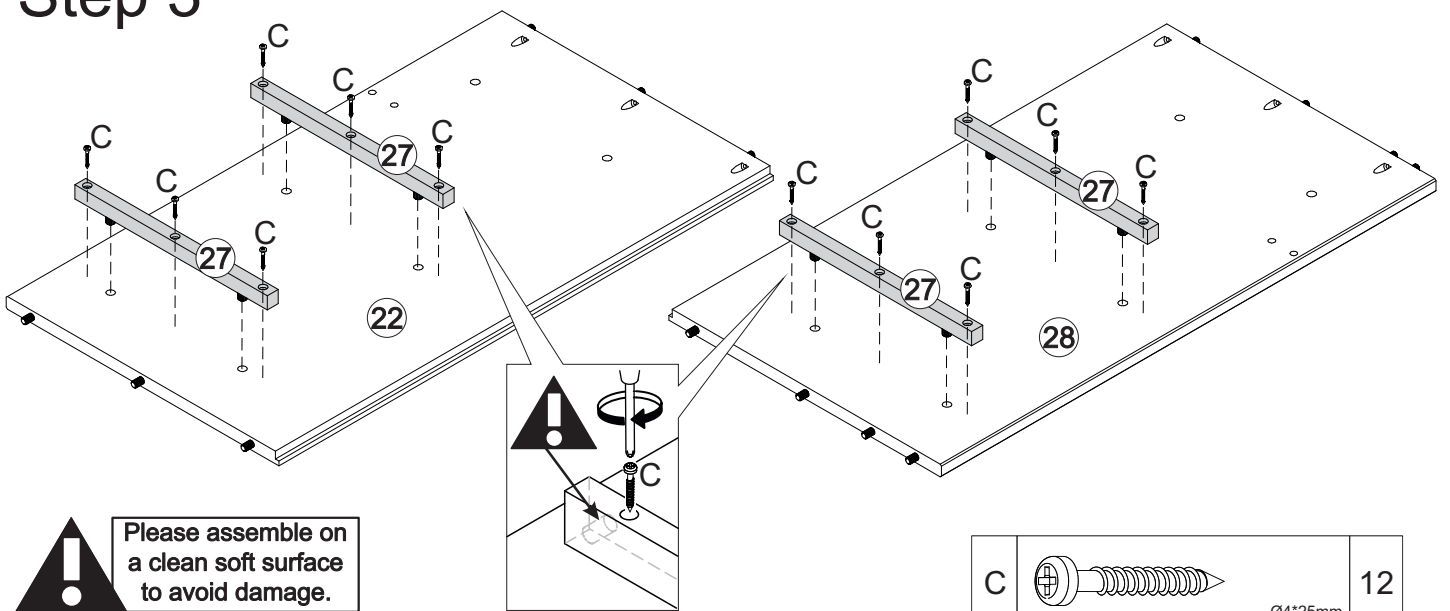


Please assemble on  
a clean soft surface  
to avoid damage.

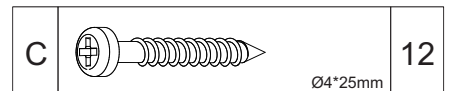


Insert Wooden dowel (A) into parts (5), (6), (19), (20), (22), (28), (32), (37), (38), and (41).

# Step 3

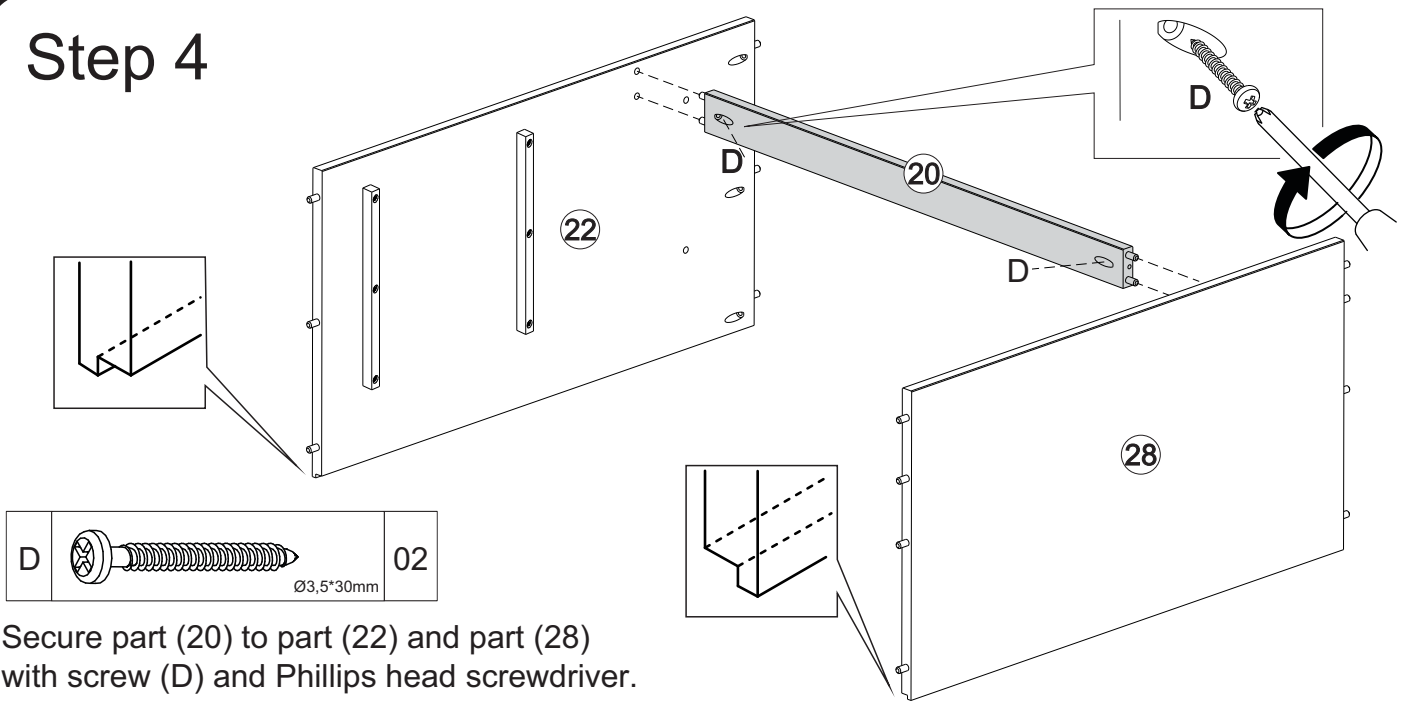


Please assemble on  
a clean soft surface  
to avoid damage.



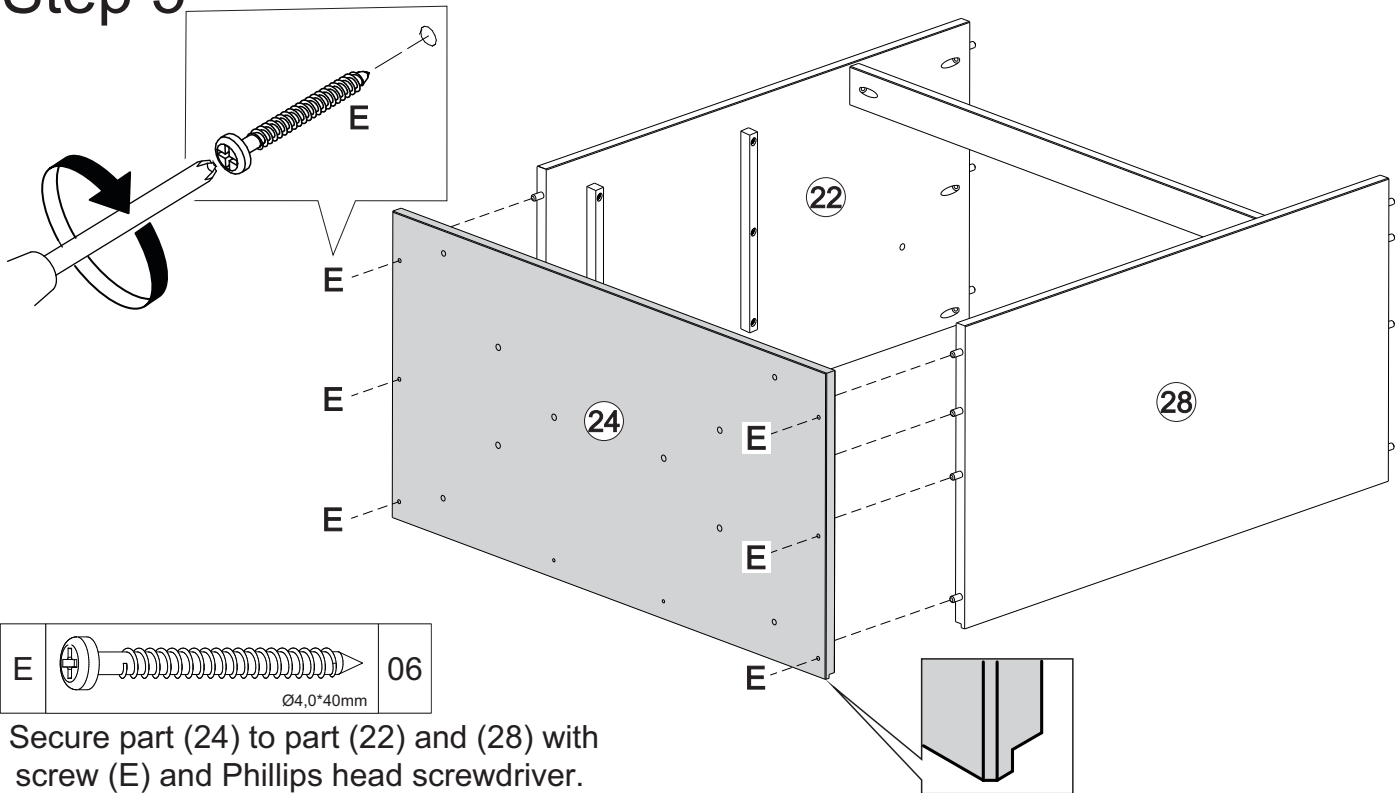
Secure part (27) to part (22) and to part (28) with screw (C) and Phillips head screwdriver.

## Step 4



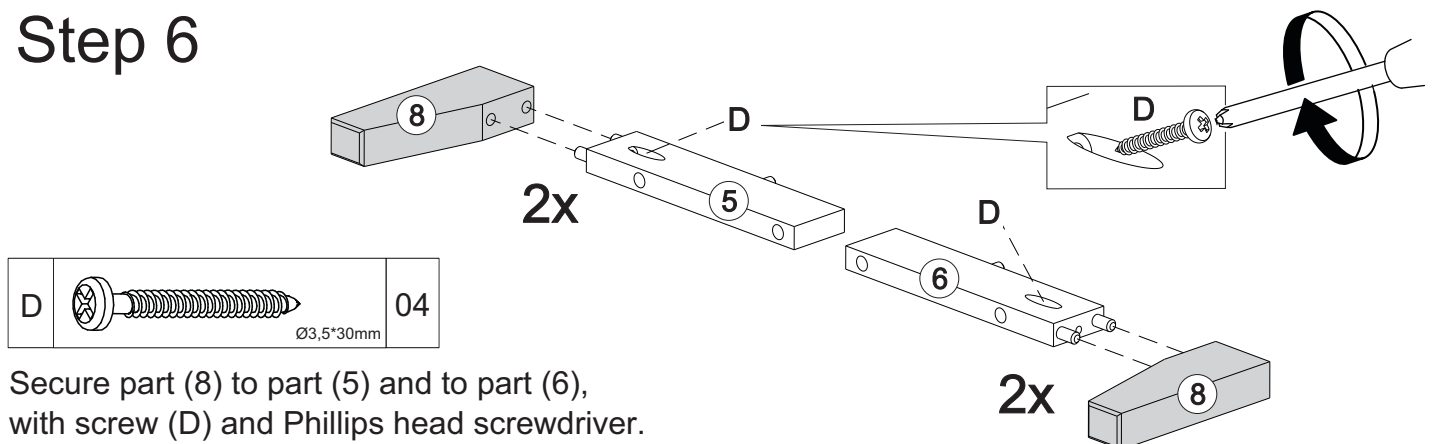
Secure part (20) to part (22) and part (28) with screw (D) and Phillips head screwdriver.

## Step 5



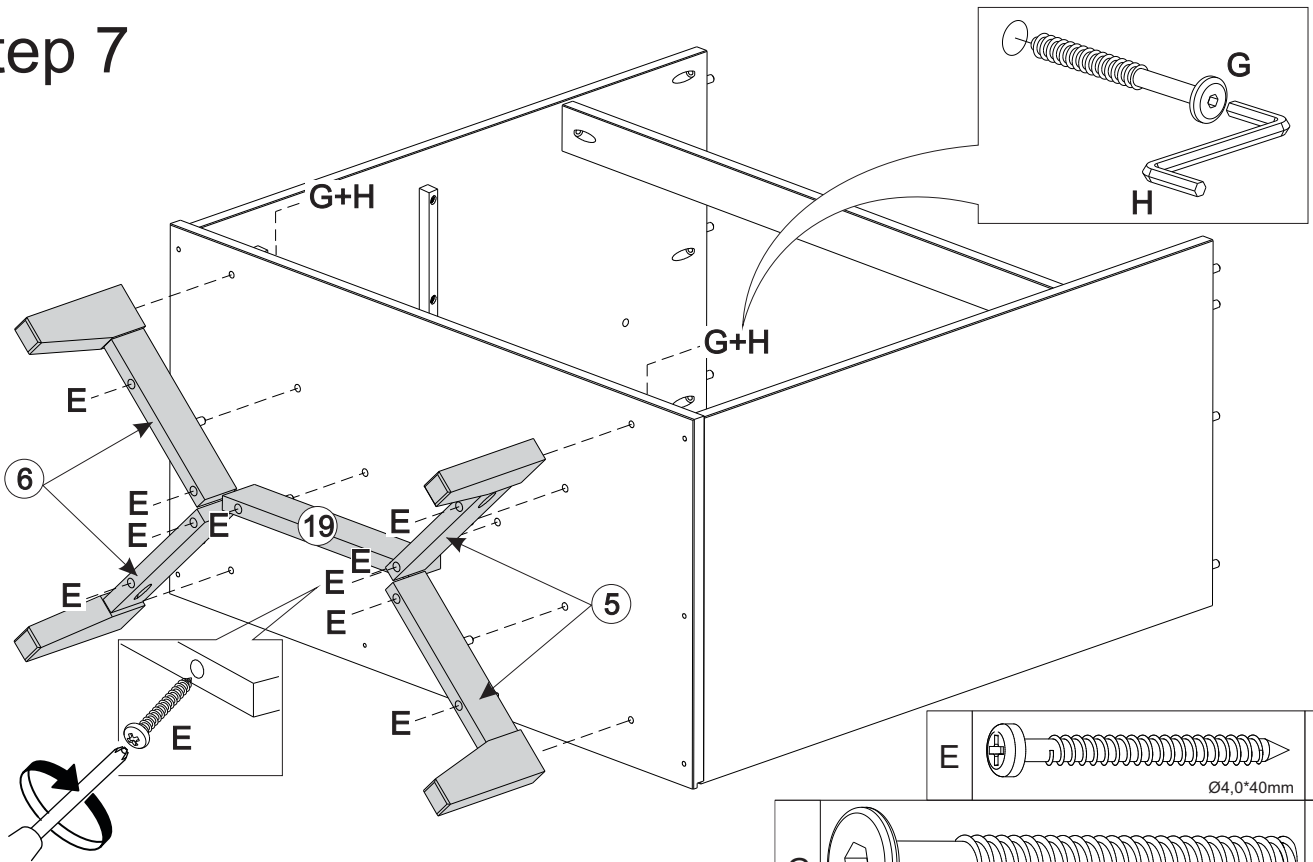
Secure part (24) to part (22) and (28) with screw (E) and Phillips head screwdriver.

## Step 6


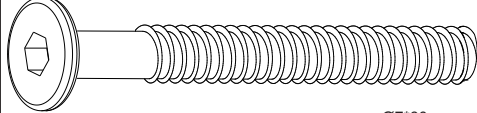



Secure part (8) to part (5) and to part (6), with screw (D) and Phillips head screwdriver.

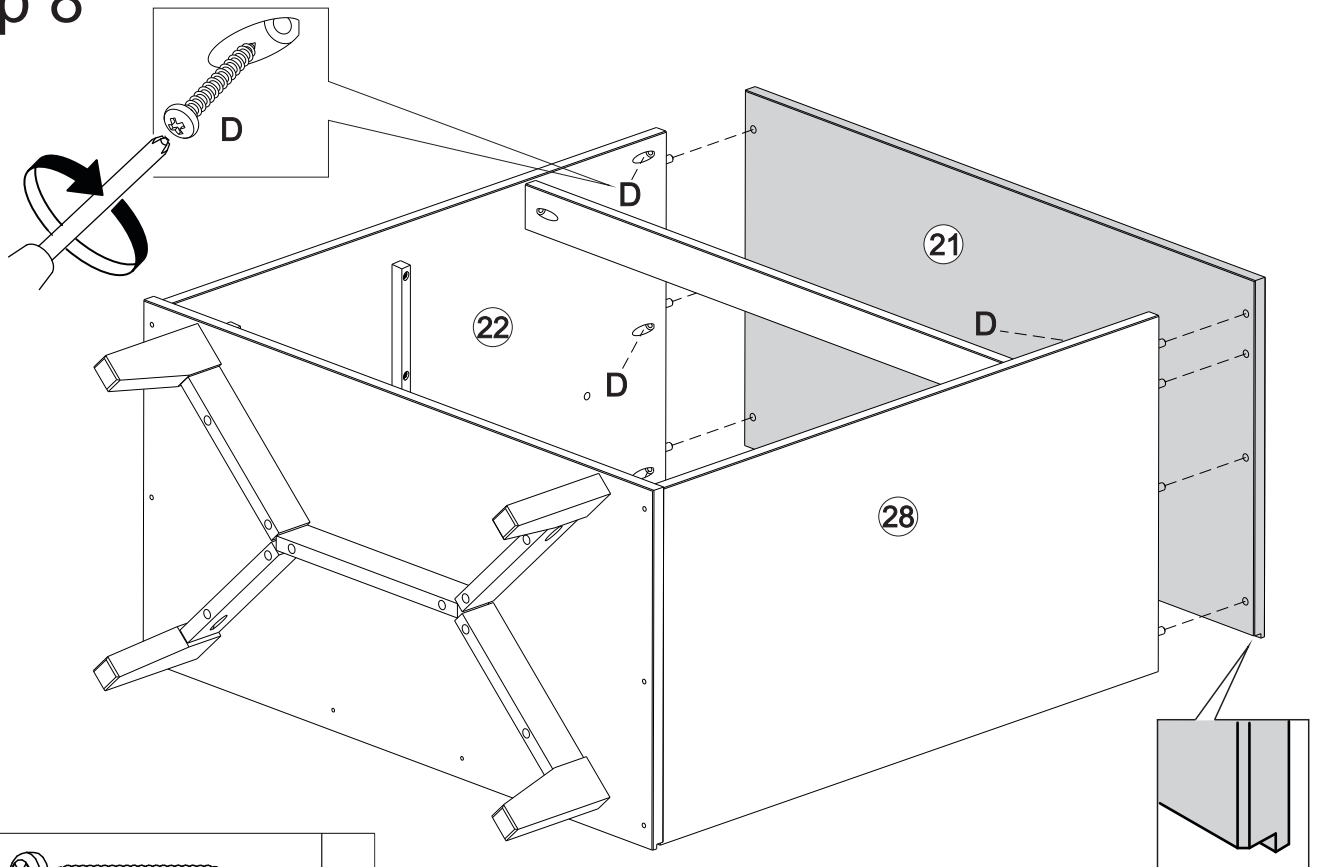
# Step 7

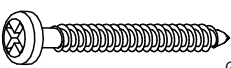


Attach assembled leg to the body. Secure feet to the body from inside the unit with bolt (G) and hex key (H). Secure assembled leg and part (19) with screw (E) and Phillips head screwdriver.

E		10
	$\text{Ø}4,0 \times 40\text{mm}$	
G		04
	$\text{Ø}7 \times 60\text{mm}$	
H		01
	4mm	

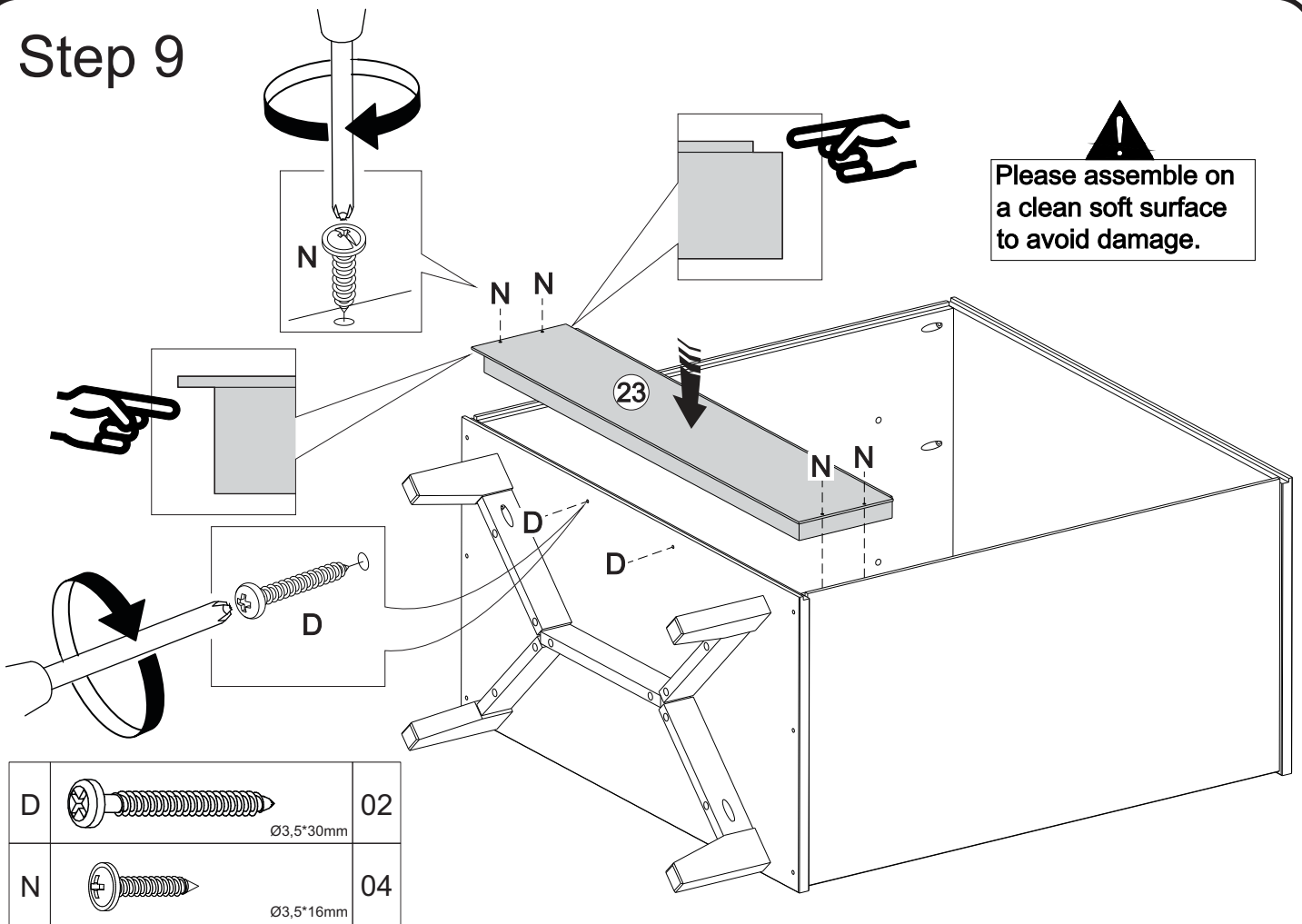
# Step 8




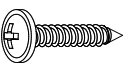
D		06
	$\text{Ø}3,5 \times 30\text{mm}$	

Secure parts (21) to part (22) and (28) with screw (D) and Phillips head screwdriver.

# Step 9

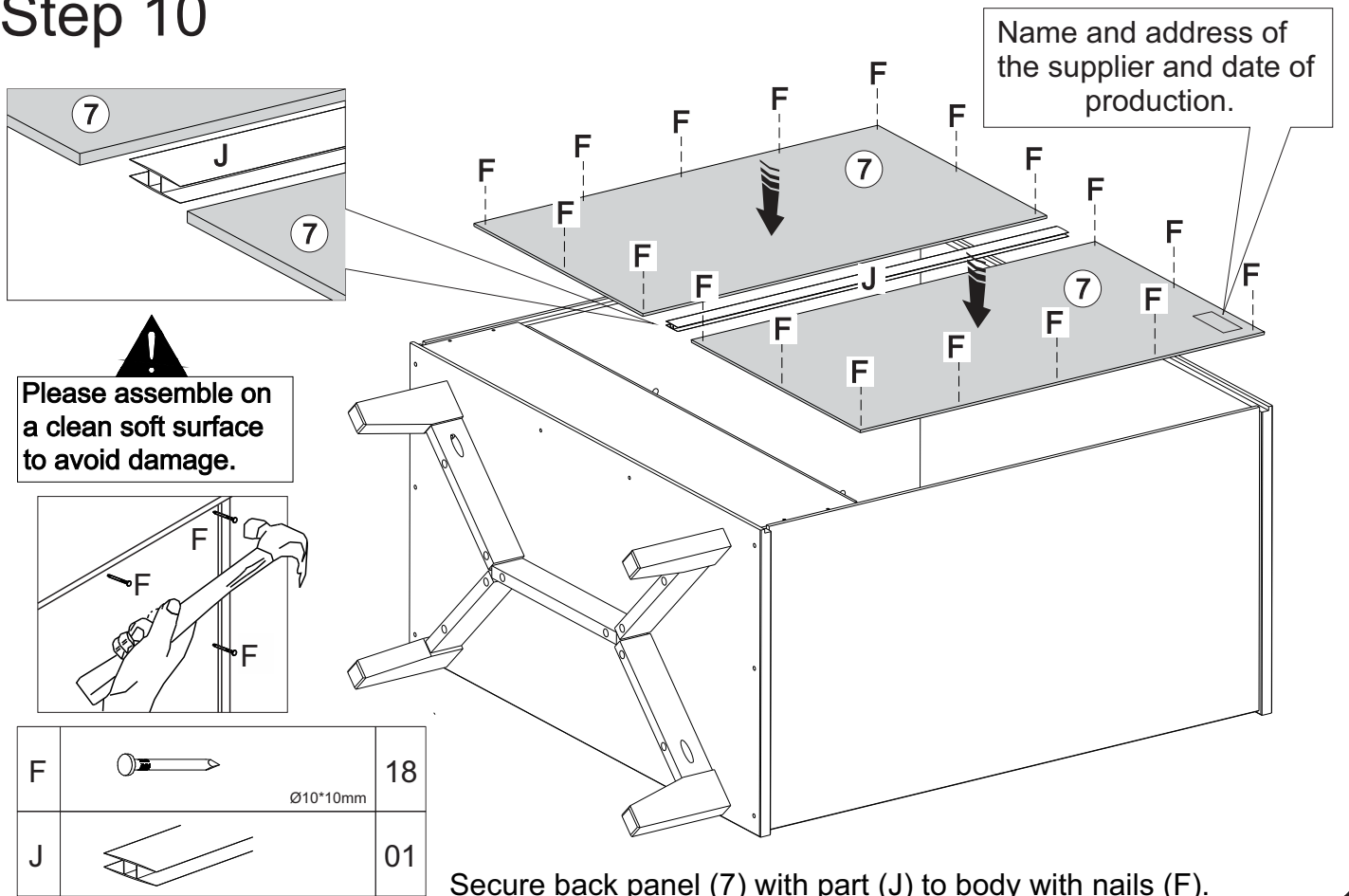


**!**  
Please assemble on a clean soft surface to avoid damage.

D		02
	$\text{Ø}3,5 \times 30\text{mm}$	
N		04
	$\text{Ø}3,5 \times 16\text{mm}$	


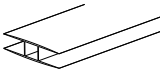
Secure anti-tipping (23) with screw (D) and screw (N) and Phillips head screwdriver.

# Step 10



Name and address of the supplier and date of production.

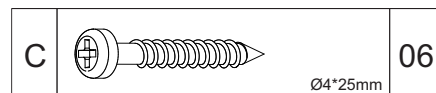
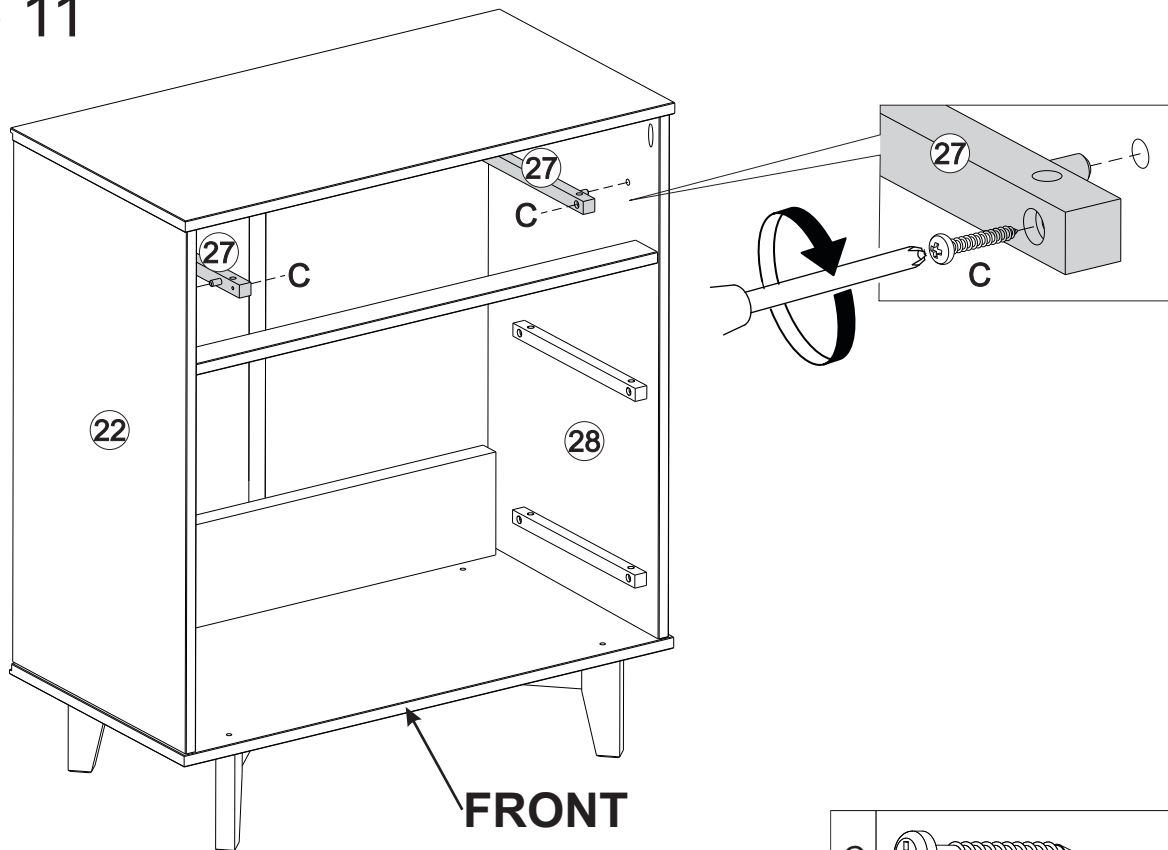
**!**  
Please assemble on a clean soft surface to avoid damage.

F		18
	$\text{Ø}10 \times 10\text{mm}$	
J		01

Secure back panel (7) with part (J) to body with nails (F).

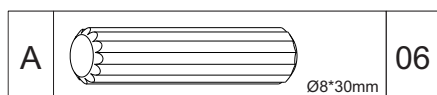
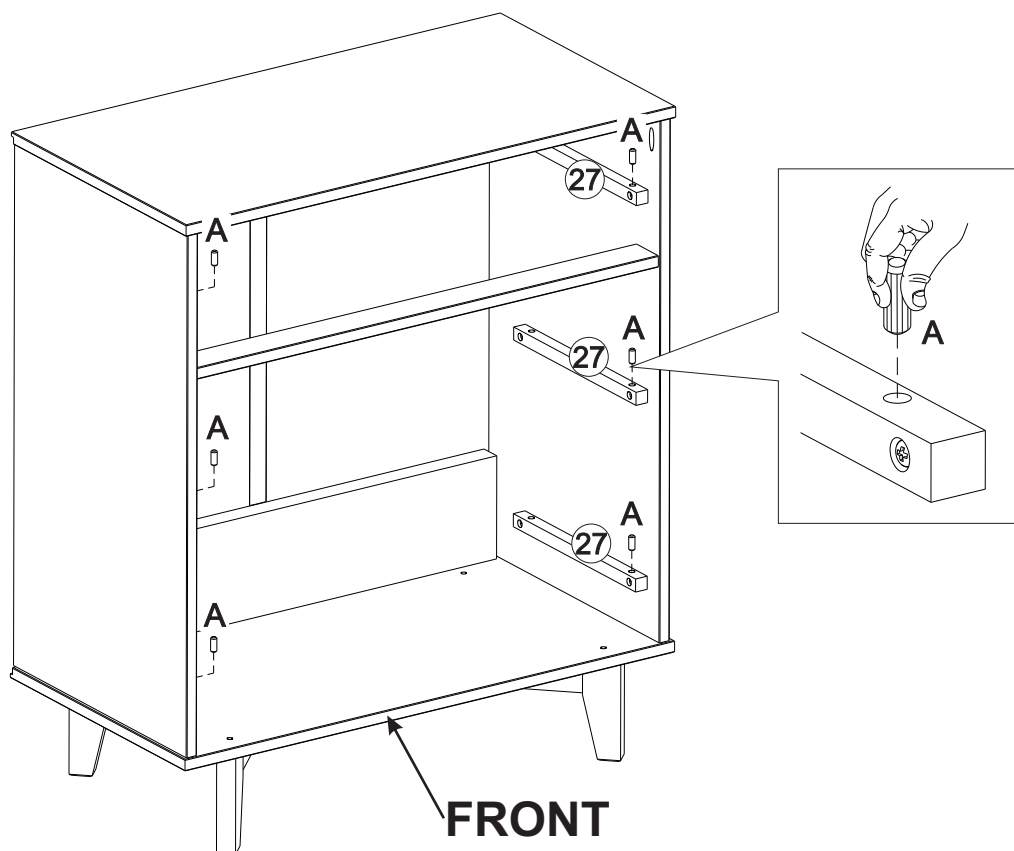


# Step 11



Secure part (27) to part (22) and to part (28) with screw (C) and Phillips head screwdriver.

# Step 12

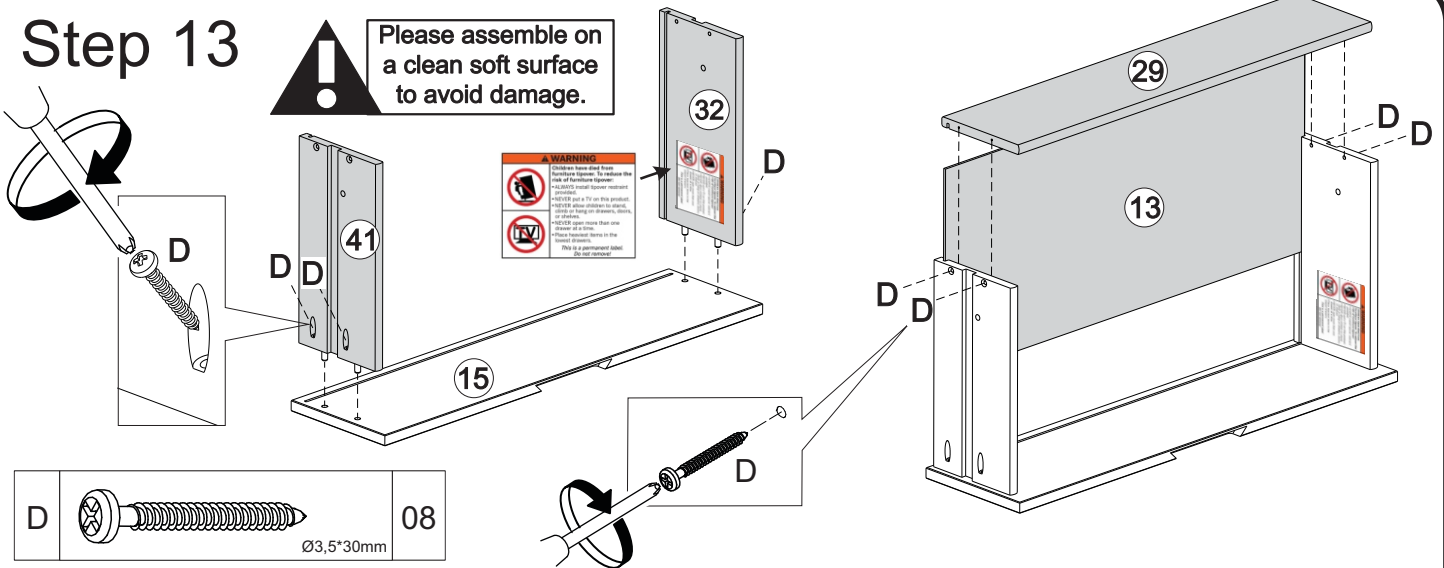


Insert Wooden dowel (A) into part (27).

## Step 13



Please assemble on a clean soft surface to avoid damage.

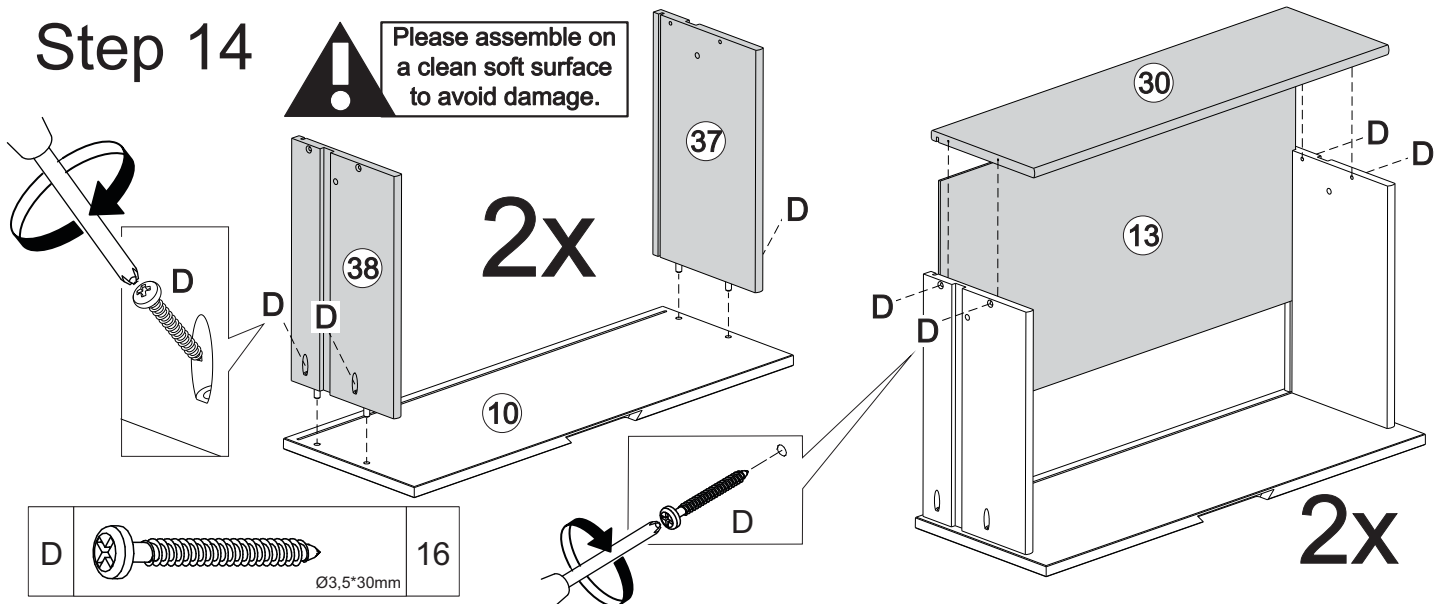


Secure part (32) and (41) to part (15) with screw (D) and Phillips head screwdriver. Insert part (13) between parts (32) and (41). Attach part (29) to parts (32) and (41) with screws(D) and Phillips head screwdriver.

## Step 14

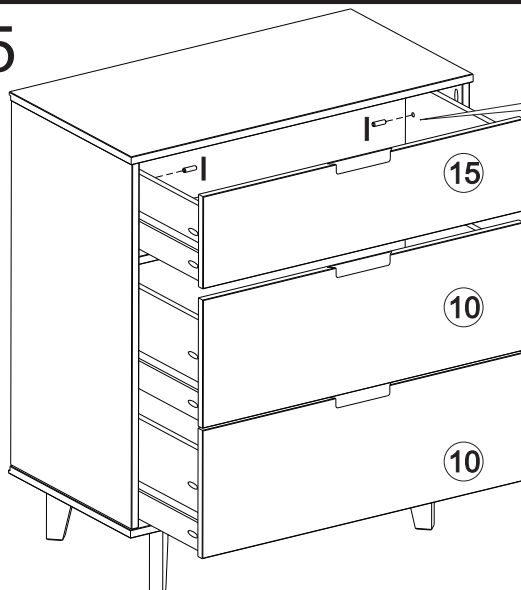


Please assemble on a clean soft surface to avoid damage.

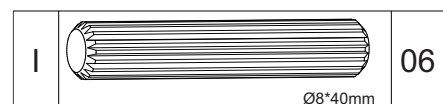


Secure part (37) and (38) to part (10) with screw (D) and Phillips head screwdriver. Insert part (13) between parts (37) and (38). Attach part (30) to parts (37) and (38) with screws(D) and Phillips head screwdriver.

## Step 15



Insert wood dowel (I) on the inside of all drawers, with the drawer inside the unit after having passed the wood dowel that is in the drawer slide. The dowel is not flush with the panel, it is a little inside the drawer to help when you need to remove the lock dowel to remove the drawer.

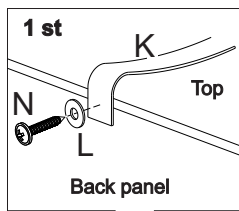


# Step 16

## WARNING

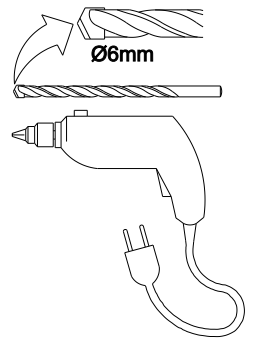
**Serious or fatal injuries can occur from furniture tipping over. To prevent the furniture from tipping over we recommend that it is permanently fixed to the wall.**

**Wall anchor and hardware are included with this product. Please make sure hardware is suitable for your walls before installing, as different wall materials may require different types of anchors.**



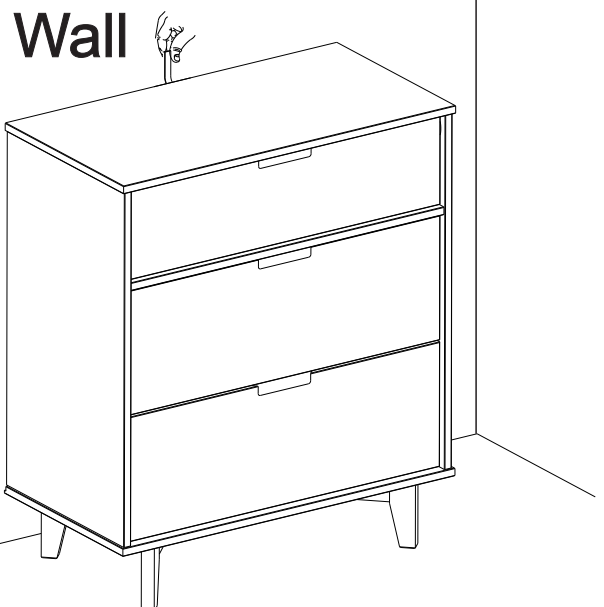
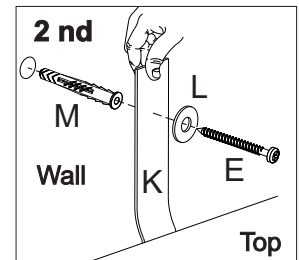
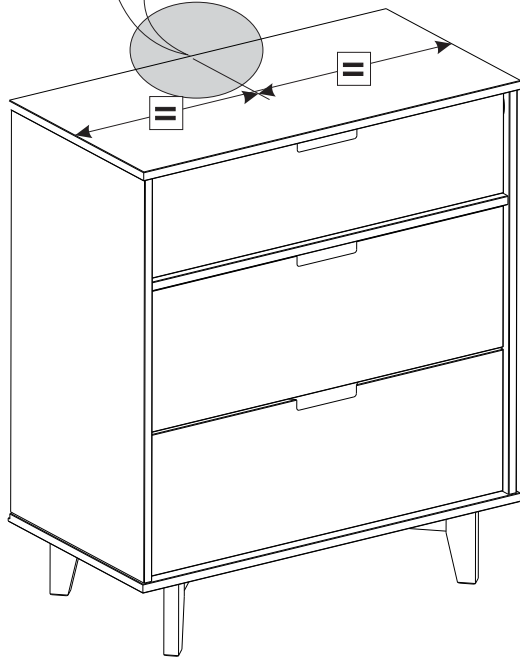
### ! 1st

Attach part (K) with screw (N) and washer (L), in the frame of superior panel unit using Phillips head screwdriver.



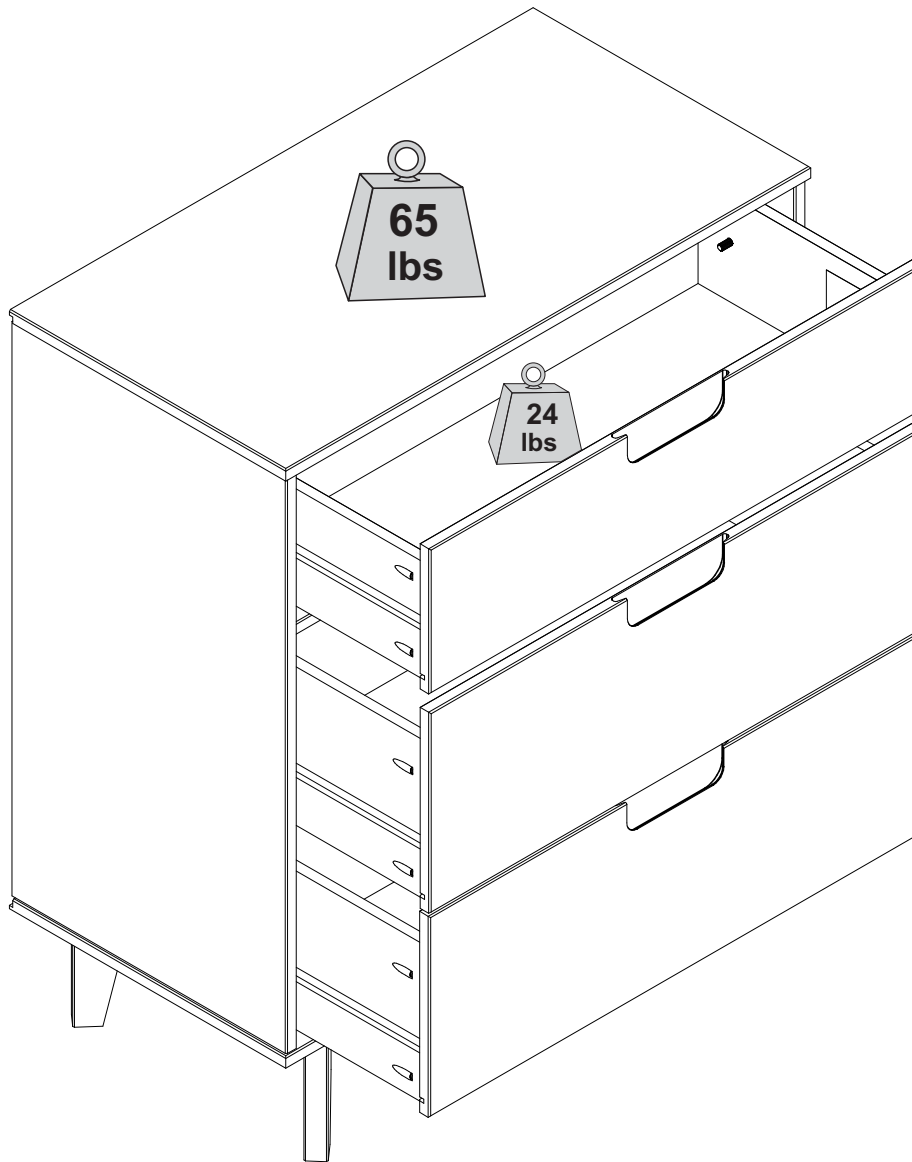
### ! 2nd

With drilling machine make one hole in the wall, insert part (M) in the hole. Secure part (K) with screw (E) and washer (L) in the wall using a Phillips head screwdriver.



K		01
L		02
M		01
N	 Ø4*16mm	01
E	 Ø4,0*40mm	01

Name and address information for the manufacturer responsible for the anti-tip hardware and date of production can be found on the label on the back of the furniture.



**Assembly Complete!**