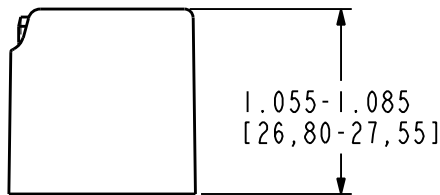
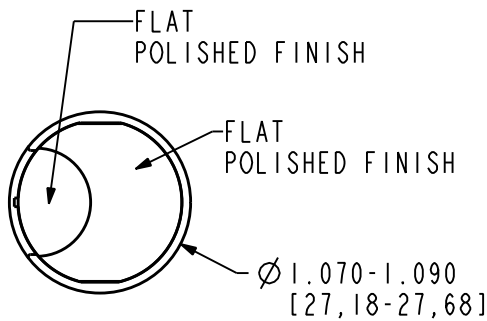


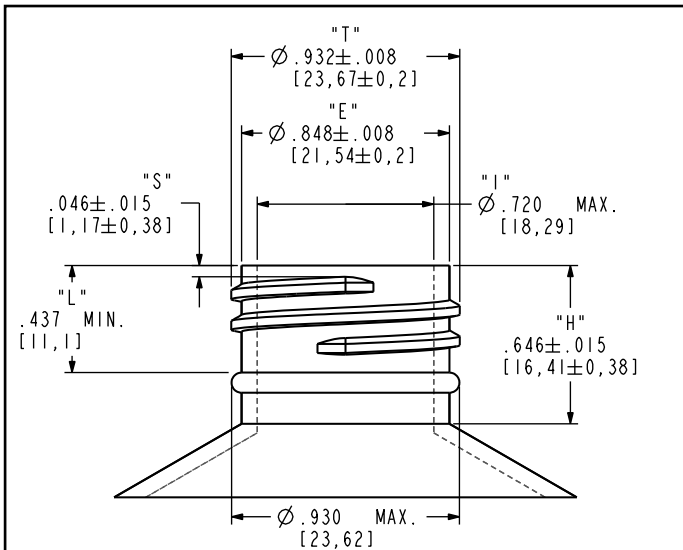
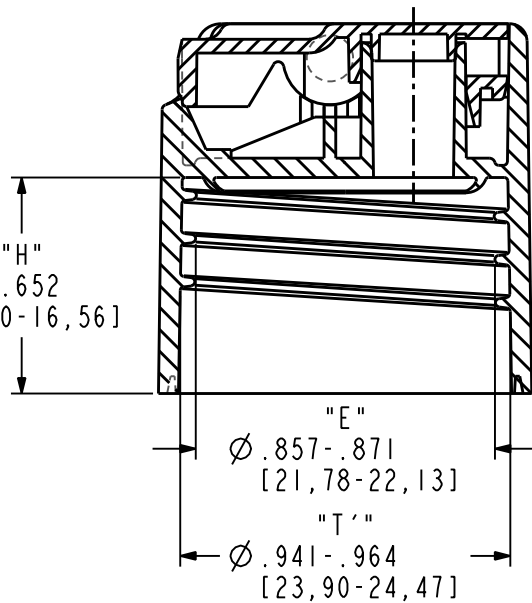
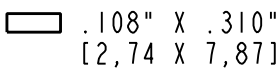
THE BOTTLE NECK DIMENSIONS SHOWN ARE BASED UPON CURRENT KNOWLEDGE. IT IS THE RESPONSIBILITY OF THE RECEIVER OF THE INFORMATION CONTAINED IN THIS DRAWING TO TEST FOR FIT AND FUNCTION OF THE TOTAL PACKAGE. DIMENSIONS SHOWN ARE INTENDED FOR POLYETHYLENE BOTTLES ONLY. IF ANOTHER BOTTLE MATERIAL IS USED, SOME DIMENSIONS AND TOLERANCES MAY REQUIRE ADJUSTMENT.

NOTES:

1. THE "T" AND "E" DIAMETERS ARE THE AVERAGE OF 2 MEASUREMENTS TAKEN APPROXIMATELY 90° APART.
2. THE "T" DIAMETER IS TAKEN TOWARD BOTTOM OF CLOSURE JUST BELOW START OF FULL THREAD.
3. THE EFFECTIVE "H" DIMENSION CAN BE ESTIMATED BY SUBTRACTING .028" FROM THE SPECIFIED "H" DIMENSION. THIS REFLECTS THE ESTIMATED COMPRESSION OF THE SEALING MECHANISM AT NOMINAL APPLICATION TORQUE.
4. ALL DIMENSIONS ARE REFERENCE ONLY!



ORIFICE SIZE



RECOMMENDED NECK FINISH

LAND MUST BE SMOOTH AND FREE OF NICKS OR RAGGED EDGES  
 8 T.P.I. (THREAD PER INCH)  
 "M" STYLE THREAD (MODIFIED BUTTRESS)  
 BEAD OPTIONAL  
 TWO THREAD TURNS STANDARD  
 THREE THREAD TURNS RECOMMENDED

DISCLAIMER

THIS INFORMATION IS PROVIDED AS A GENERAL GUIDE, INCLUDING DIMENSIONS. IT IS THE CUSTOMER'S RESPONSIBILITIES TO SELECT THE PROPER CONTAINER FOR PRODUCT AND APPLICATION COMPATIBILITY.

DISTRIBUTED BY:



REF NO.:

DWG31371

DESCRIPTION:

24 mm, 24-410 White PP Plastic Smooth Disc Top Cap, .310-.108" Orifice