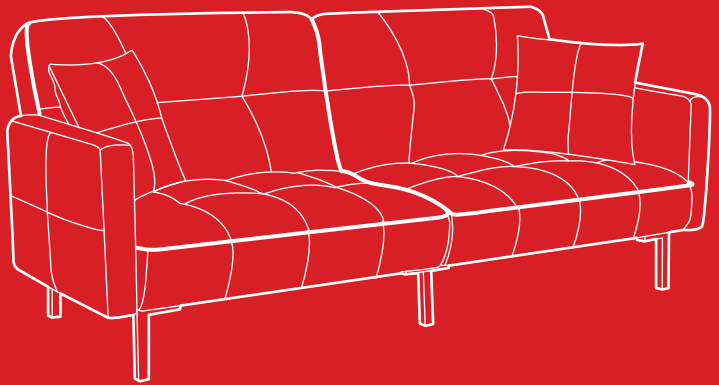




bestchoiceproducts



INSTRUCTION MANUAL

Linen Tufted Split Back Futon

Ver. 2

SKY3516 + SKY4544 + SKY4545 + SKY5650 + SKY5651 + SKY5652 + SKY5653



Hardware & parts
are located in
the compartment
underneath the futon.

Make sure to
remove all items
before assembly.

bestchoiceproducts.com

! NOTICE

Please retain these instructions for future reference.

- Do not stand on or use any part of this item as a step ladder.
- Firmly secure all bolts and screws before use.
- Reconfirm that all bolts and screws are secure every 90 days.
- Do not use or store this item in the proximity of open flame or flammable/combustible chemicals.
- If any parts are missing, broken, damaged, or worn, stop using this product until repairs are made and/or factory replacement parts are installed.
- Do not use this item in a way inconsistent with the manufacturer's instructions as this could void the product warranty.
- This chair has a weight capacity of 500 lbs. Please do not exceed that amount of weight on the chair.

TOOLS REQUIRED



ALLEN WRENCH
(PROVIDED)



500 LBS
CAPACITY



1 PERSON
ASSEMBLY



APPROXIMATELY
35 MIN.
ASSEMBLY

HARDWARE

1

5/16"x2"
SCREW



12 PCS

2

1" WASHER

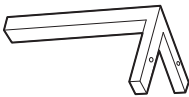


12 PCS

PARTS

A

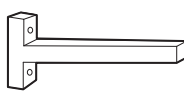
SIDE LEG



4 PCS

B

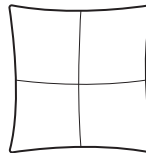
MIDDLE LEG



2 PCS

C

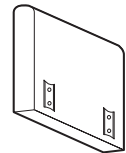
PILLOW



2 PCS

D

ARMREST

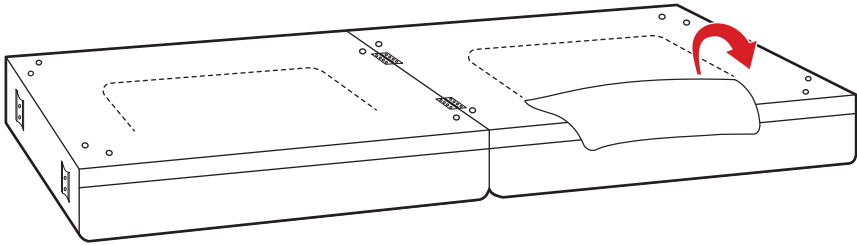


2 PCS

PRODUCT ASSEMBLY

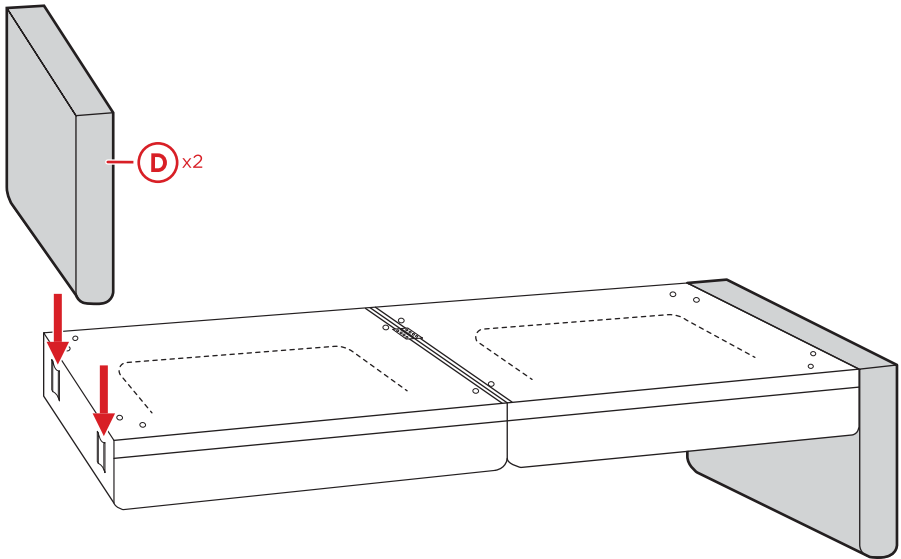
1

Remove the armrests, pillows, and hardware from the zippered compartments underneath the futon.



2

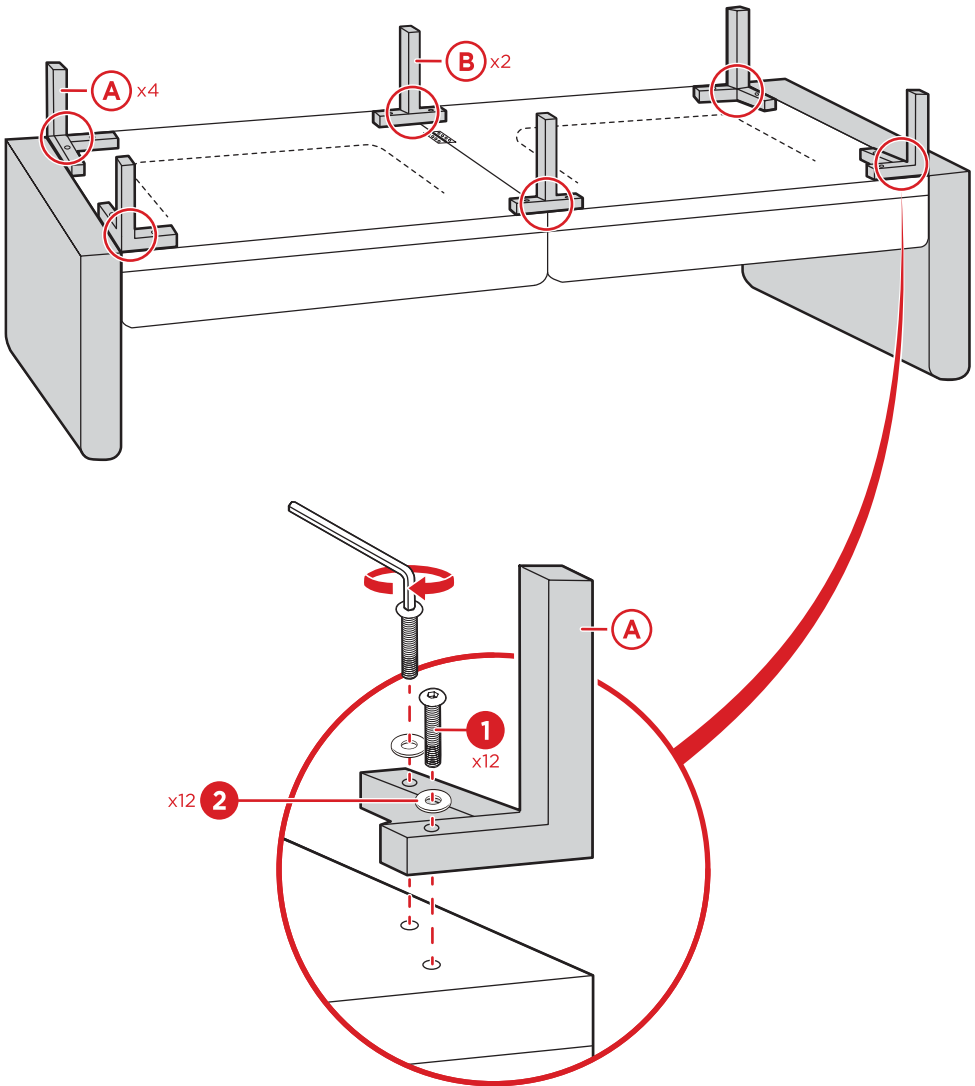
Slide the two part D armrests onto the brackets on the side of the futon. Repeat to attach the other armrest.



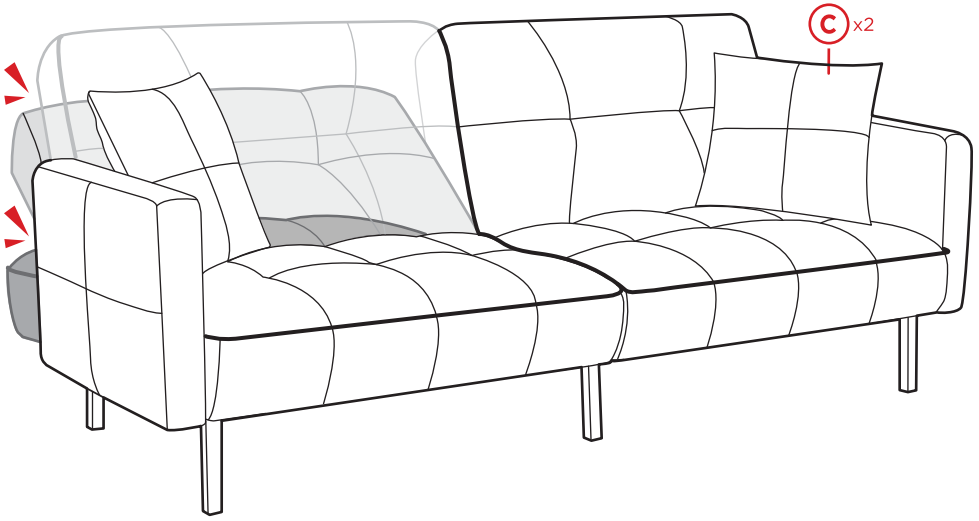
PRODUCT ASSEMBLY

3

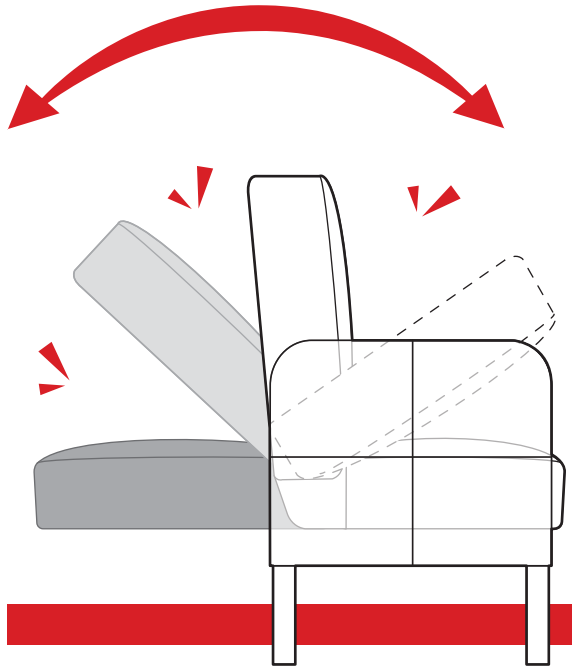
Attach the four part A side legs and two part B middle legs with twelve part 1 screws and twelve part 2 washers, two screws/washers per leg.



CONVERTING STAGES



- The two halves of this futon can be adjusted separately.
- The futon locks at three positions: upright, leaning back, and flat. To adjust the position, bring the backrest all the way forward, then lean it back to your desired position.





bestchoiceproducts

As shoppers, we're always trying to find the perfect balance between quality & value. At BCP, we believe we've achieved that. Our diverse catalog of everyday essentials is tailored especially to our customers & guaranteed to hit that sweet spot of high quality & low price.

— Always. —



HELP CENTER



Question about your product? We're here to help. Visit us at:

help.bestchoiceproducts.com



Chat Support



Product Inquiry



Orders FAQ



Product Assembly



Returns & Refunds

PRODUCT WARRANTY INFORMATION

All items can be returned for any reason within 60 days of the receipt and will receive a full refund as long as the item is returned in its original product packaging and all accessories from its original shipment are included. All returned items will receive a full refund back to the original payment method. All returned items will not be charged a re-stocking fee.

All returned items require an RA (Return Authorization) number, which can only be provided by a Best Choice Products Customer Service Representative when the return request is submitted. Items received without an RA may not be accepted or may increase your return processing time. Once an item has been received by Best Choice Products, refunds or replacements will be processed within 5 business days.

All returns must be shipped back to the Best Choice Products Return Center at the customer's expense. If the reason for return is a result of an error by Best Choice Products then Best Choice Products will provide a pre-paid shipping label via email. Boxes for return shipping will not be provided by Best Choice Products, and is the customer's responsibility to either use the original shipping boxes or purchase new boxes.

Pictures may be required for some returns to ensure an item is not damaged prior to its return. Items returned are not considered undamaged until they are received by Best Choice Products and verified as such. All damages to items are the customer's responsibility until the item has been received by and acknowledge by Best Choice Products as undamaged.

WARNING

Manufacturer and seller expressly disclaim any and all liability for personal injury, property damage or loss, whether direct, indirect, or incidental, resulting from the incorrect attachment, improper use, inadequate maintenance, or neglect of this product.