

Belton 4 Light Island

6614504 | 1.2

VISUAL COMFORT & Co.

GENERATION LIGHTING

GENERAL PRODUCT INFORMATION:

These fixtures are intended to be installed utilizing NEC compliant junction boxes.

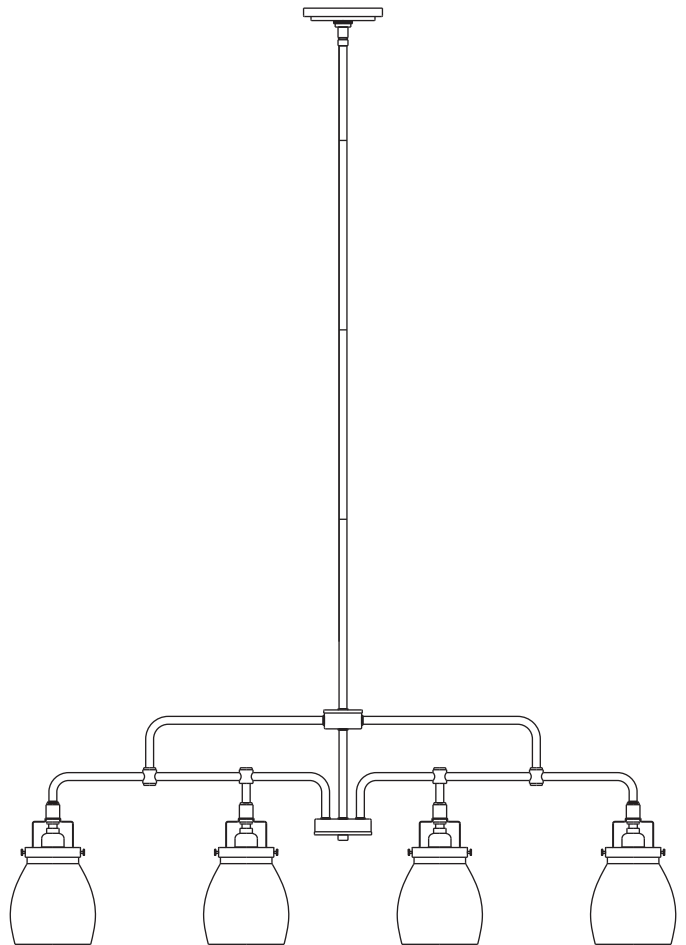
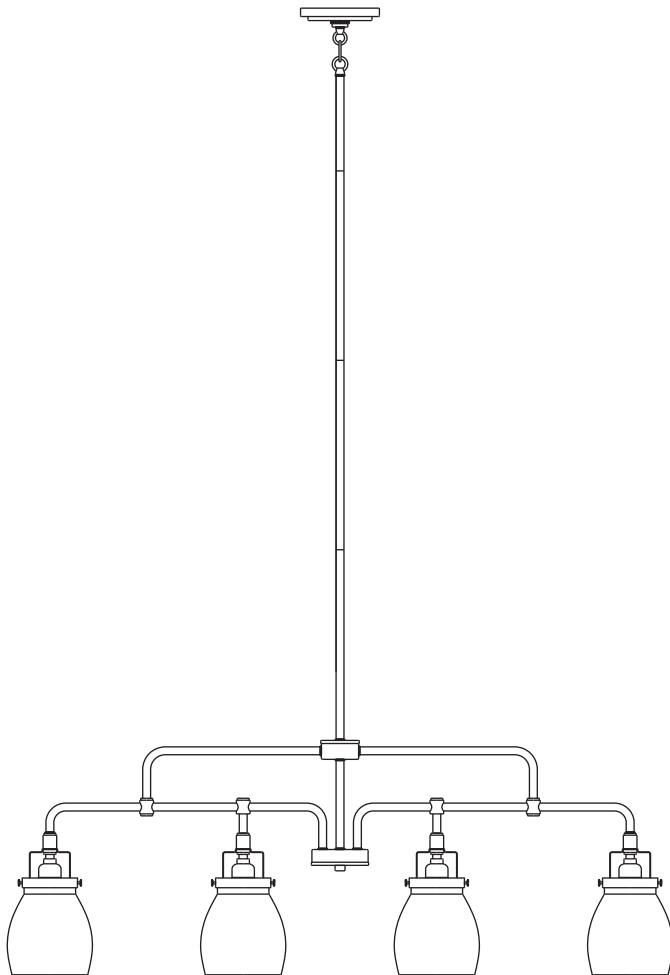
This product is safety listed for damp locations.

Incandescent version may be dimmed with a standard incandescent dimmer. LED version may be dimmed with a LED dimmer. Consult lamp manufacturer for additional information.

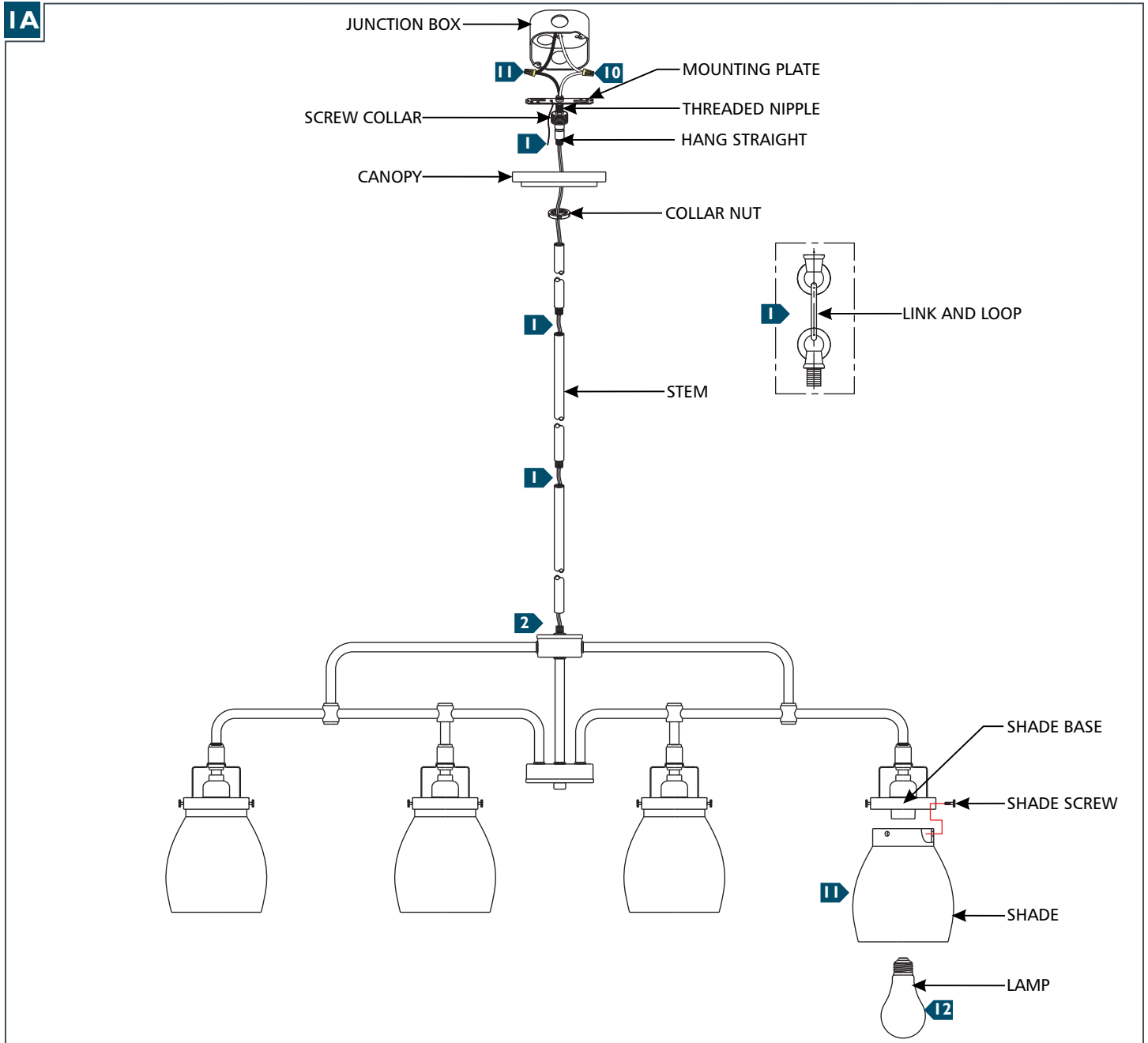
This instruction shows a typical installation.

SAVE THESE INSTRUCTIONS!

CAUTION - RISK OF FIRE
This product must be installed in accordance with the applicable installation code by a person familiar with the construction and operation of the product and the hazards involved.
Use minimum 90°C supply conductors.



Install the Fixture



- 1** Determine the wanted height or look of the fixture with the provided hang straight (or link and loop and stems), then assemble by screwing them together. **NOTE: Use hang straight for standard ceilings and use link and loop for sloped ceilings.**
- 2** Feed the fixture wires through the stem/chain assembly and screw the assembly onto the fixture.
- 3** Unscrew the collar nut off the screw collar and place it onto the stem/link and loop followed by the canopy.
- 4** If necessary, screw the threaded nipple tightly onto the mounting plate.
- 5** Feed the fixture wires through the threaded nipple and screw the mounting plate assembly onto the stem/link and loop assembly.
- 6** Align and secure the mounting plate to the junction box.
- 7** Connect the fixture to a suitable ground in accordance to local electrical codes.
- 8** Connect the white fixture wire (square and/or rigid) to the neutral power line wire with a wire nut.
- 9** Connect the black fixture wire (round and/or smooth) to the hot power line wire with a wire nut.
- 10** Neatly place all the wires into the junction box, place the canopy onto the ceiling, and secure it in place by screwing the collar nut tightly into the screw collar.
- 11** Align the holes on the shade with the holes on the shade base and secure it with the shade screws. Repeat for all shades.
- 12** Screw the lamps into the sockets. Refer to the label on the socket for Max Wattage Information.