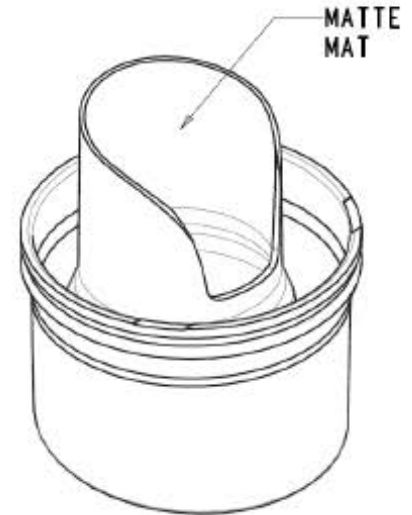



N/A	THREADS PER INCH FILETS AU POUCE
-----	---



<p align="center"><b>DISCLAIMER</b></p> <p>THIS INFORMATION IS PROVIDED AS A GENERAL GUIDE, INCLUDING DIMENSIONS. IT IS THE CUSTOMER'S RESPONSIBILITIES TO SELECT THE PROPER CONTAINER FOR PRODUCT AND APPLICATION COMPATIBILITY.</p>	DISTRIBUTED BY:  Pipeline Packaging	REF NO.:
	DESCRIPTION:	