



BEST CHOICE
PRODUCTS



INSTRUCTION MANUAL

5ft Pop-Up Santa Claus

! NOTICE

Please retain these instructions for future reference.



2 PERSON
ASSEMBLY



UP TO 30 MIN.
ASSEMBLY

- This product is intended for outdoor use and should be assembled outdoors only.
- This item is not intended for permanent installation or use.
- Unplug item when not in use or if left unattended.
- Ensure that your voltage is consistent with specifications.
- If any parts are missing, broken, damaged, or worn, stop using this product until repairs are made and/or factory replacement parts are installed.
- Do not use this item in a way inconsistent with the manufacturer's instructions as this could void the product warranty.
- This product is intended for residential use only.

! WARNING

- Do not plug into a wall outlet until item is fully assembled and lights are properly connected.
- Do not use in extreme weather conditions.
- Keep item away from all heat sources (fireplace, stove, heater, etc.).
- Please use the provided stakes to properly secure the figure.
- Do not secure wiring with staples, nails, or sharp hooks.
- Do not hang ornaments or other objects from the cord.
- Unplug item before removing or changing bulbs.

HARDWARE

1

U-STAKE



6 PCS

2

ZIP TIES



6 PCS

3

COTTER PIN



2 PCS

PARTS

A

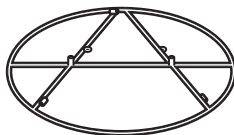
SANTA BODY



1 PC

B

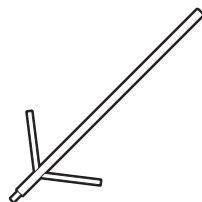
BASE STAND



1 PC

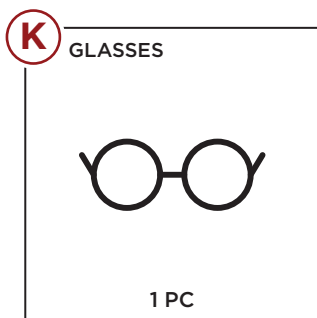
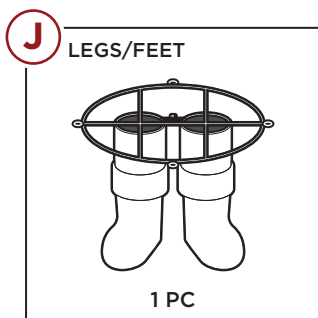
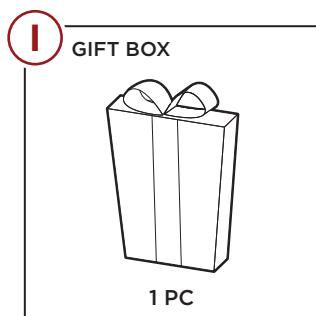
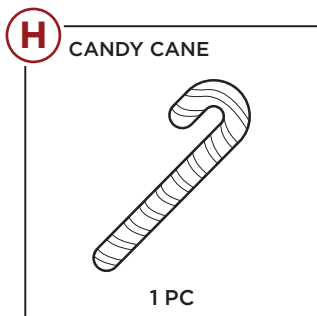
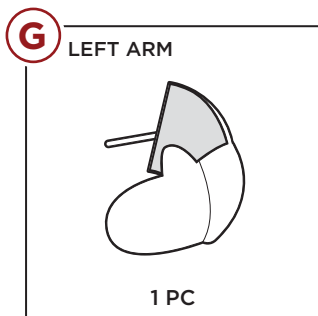
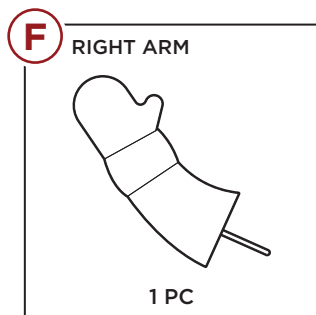
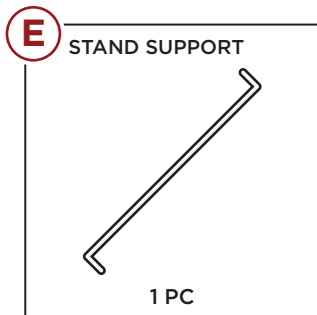
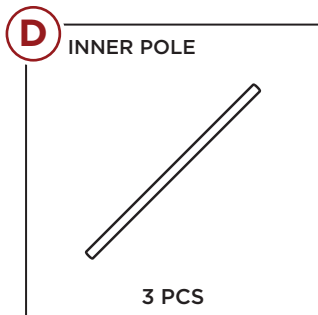
C

TOP POLE



1 PC

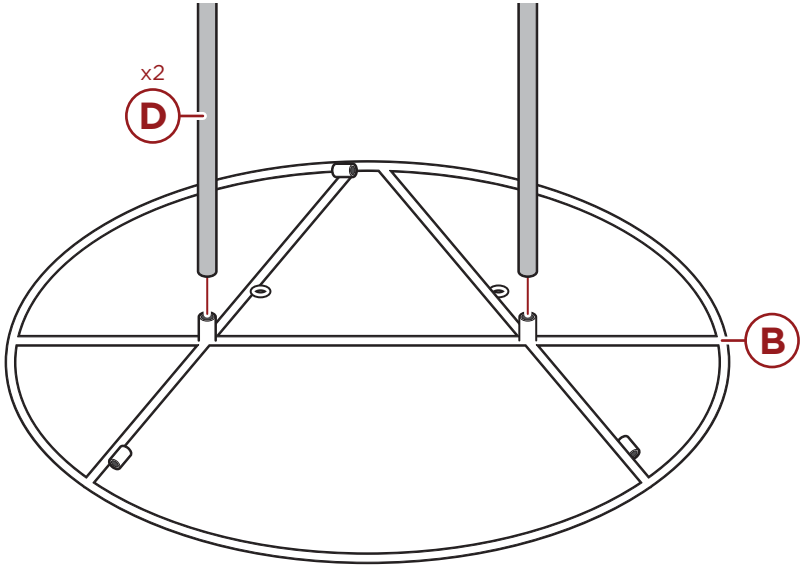
PARTS



PRODUCT ASSEMBLY

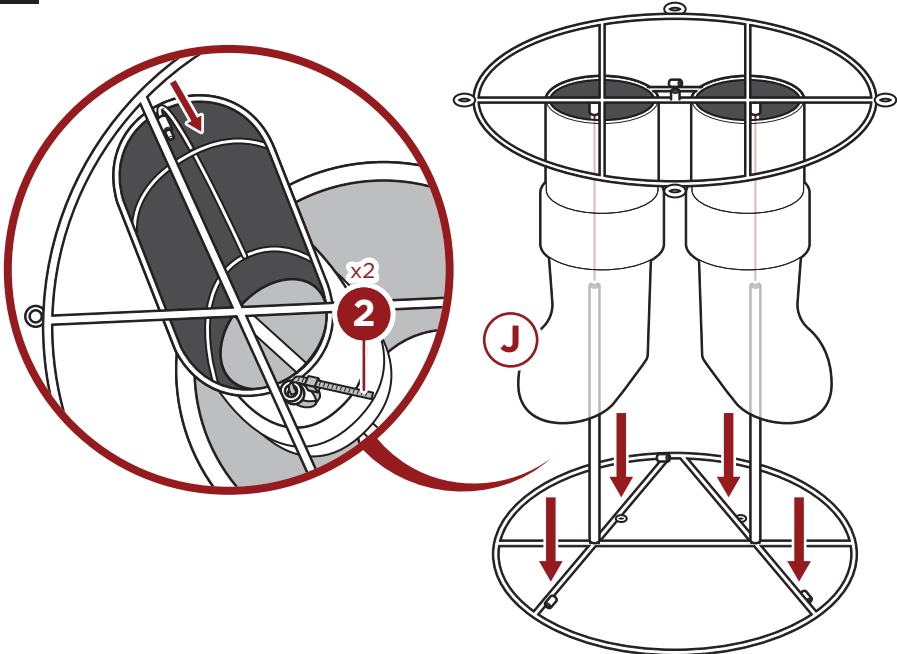
1

Place two **part D inner poles** onto the **part B base stand**.



2

Locate the **part J legs/feet** and insert the **part D inner poles**, then secure the feet to the **part B base stand** with two **part 2 zip ties**.

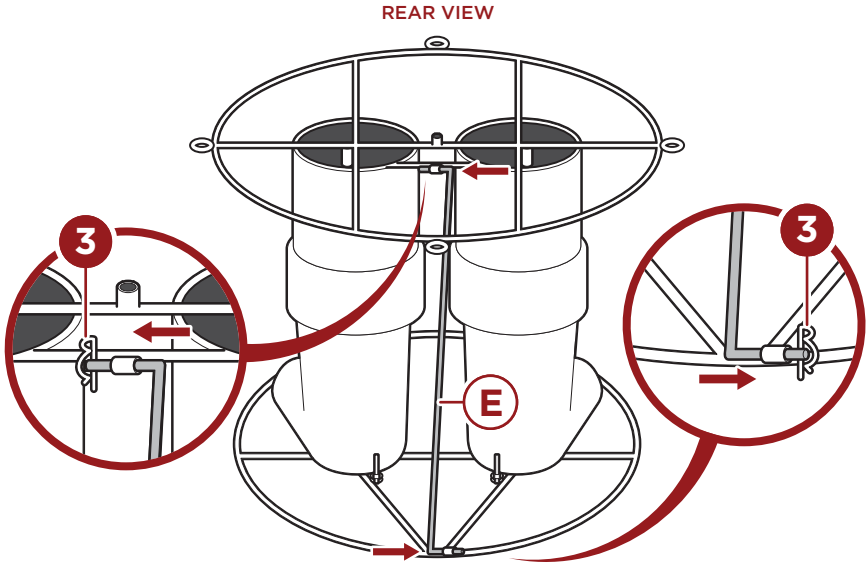


PRODUCT ASSEMBLY

3

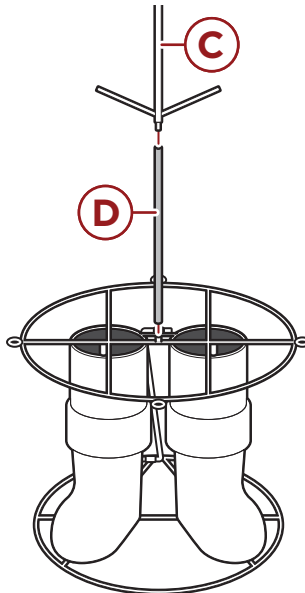
Insert one **part E stand support** to the **part B base stand**, then hook the other end into the receiver on the **part J legs/feet**, secure with two **part 3 cotter pins**.

Stand the legs/feet assembly upright before proceeding.



4

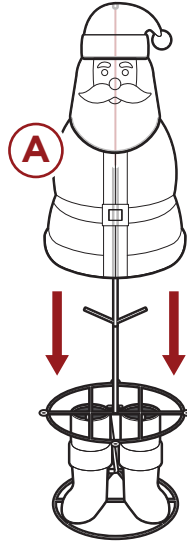
Place one **part D inner pole** onto the top of the **part J legs/feet**, then attach one **part C top pole**.



PRODUCT ASSEMBLY

5

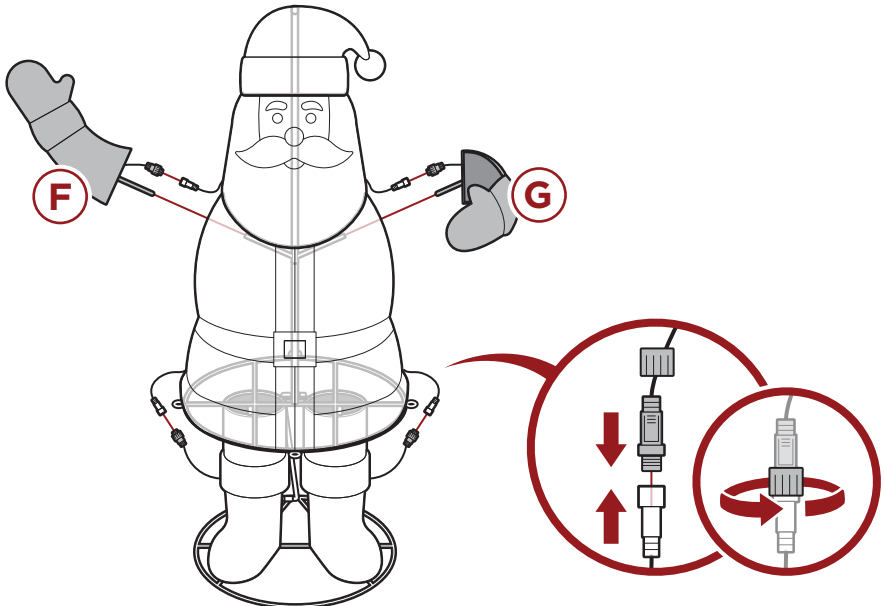
Locate the **part A Santa body**, then insert the top of the **part C top pole** into the receiver inside the hat.



6

Guide the **part A Santa body** down, then attach the **part F** and **part G right/left arms** to the arms of the **part C top pole**.

Locate the light cords on the **part F** and **part G arms** and connect them to the cords within the **part A Santa body**. Repeat by connecting the light cords in the **part A Santa body** to the cords in the **part J legs/feet**.

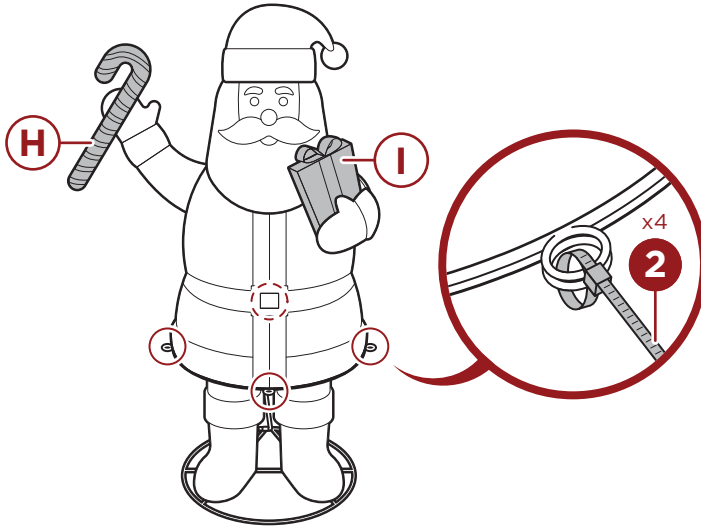


PRODUCT ASSEMBLY

7

Attach the **part H candy cane** to the **part F right arm**, and attach the **part I gift box** to the **part G left arm**.

Secure the **part A Santa body** to the **part J legs/feet** with four **part 2 zip ties**.



8

Attach the **part K glasses** to the **part A Santa body**.

Use six **part 1 u-stakes** to secure the assembled Santa figure to the ground, then plug into a power source to turn on the lights.





HELP CENTER



Question about your product? We're here to help. Visit us at:

help.bestchoiceproducts.com



Chat Support



Product Inquiry



Orders FAQ



Product Assembly



Returns & Refunds

PRODUCT WARRANTY INFORMATION

All items can be returned for any reason within 60 days of the receipt and will receive a full refund as long as the item is returned in its original product packaging and all accessories from its original shipment are included. All returned items will receive a full refund back to the original payment method. All returned items will not be charged a re-stocking fee.

All returned items require an RA (Return Authorization) number, which can only be provided by a Best Choice Products Customer Service Representative when the return request is submitted. Items received without an RA may not be accepted or may increase your return processing time. Once an item has been received by Best Choice Products, refunds or replacements will be processed within 5 business days.

All returns must be shipped back to the Best Choice Products Return Center at the customer's expense. If the reason for return is a result of an error by Best Choice Products then Best Choice Products will provide a pre-paid shipping label via email. Boxes for return shipping will not be provided by Best Choice Products, and is the customer's responsibility to either use the original shipping boxes or purchase new boxes.

Pictures may be required for some returns to ensure an item is not damaged prior to its return. Items returned are not considered undamaged until they are received by Best Choice Products and verified as such. All damages to items are the customer's responsibility until the item has been received by and acknowledged by Best Choice Products as undamaged.

© Best Choice Products, Inc. All rights reserved. Distributed by Best Choice Products, Inc. Tustin, CA 92780



WARNING

Manufacturer and seller expressly disclaim any and all liability for personal injury, property damage or loss, whether direct, indirect, or incidental, resulting from the incorrect attachment, improper use, inadequate maintenance, unapproved modification, or neglect of this product.



BEST CHOICE
PRODUCTS



INSTRUCTION MANUAL

8ft Pop-Up Santa Claus

! NOTICE

Please retain these instructions for future reference.



2 PERSON
ASSEMBLY



UP TO 35 MIN.
ASSEMBLY

- This product is intended for outdoor use and should be assembled outdoors only.
- This item is not intended for permanent installation or use.
- Unplug item when not in use or if left unattended.
- Ensure that your voltage is consistent with specifications.
- If any parts are missing, broken, damaged, or worn, stop using this product until repairs are made and/or factory replacement parts are installed.
- Do not use this item in a way inconsistent with the manufacturer's instructions as this could void the product warranty.
- This product is intended for residential use only.

! WARNING

- Do not plug into a wall outlet until item is fully assembled and lights are properly connected.
- Do not use in extreme weather conditions.
- Keep item away from all heat sources (fireplace, stove, heater, etc.).
- Please use the provided stakes to properly secure the figure.
- Do not secure wiring with staples, nails, or sharp hooks.
- Do not hang ornaments or other objects from the cord.
- Unplug item before removing or changing bulbs.

HARDWARE

1

U-STAKE



6 PCS

2

ZIP TIES



6 PCS

3

COTTER PIN



2 PCS

4

PLASTIC STAKE



3 PCS

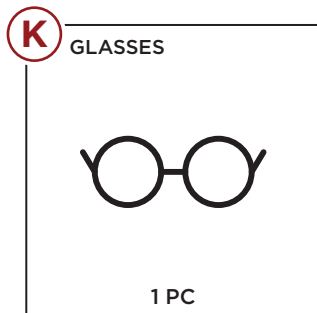
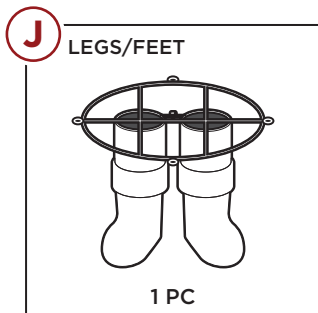
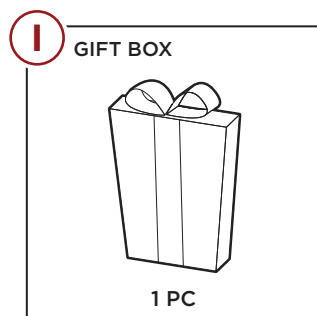
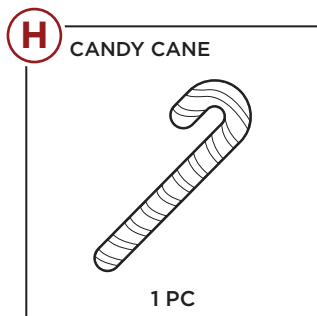
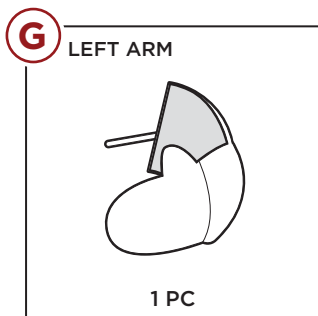
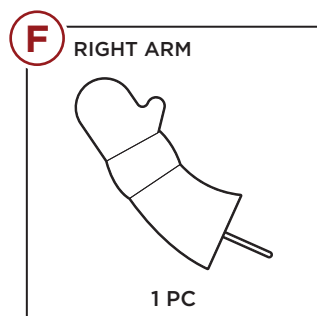
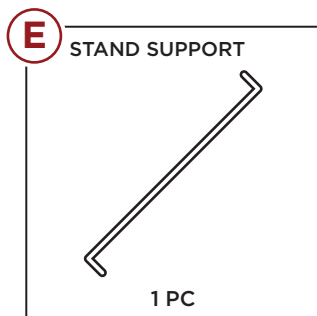
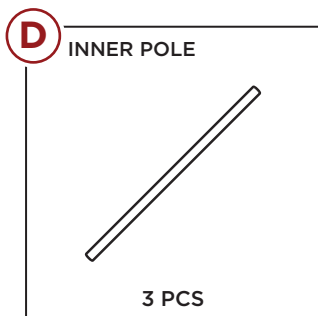
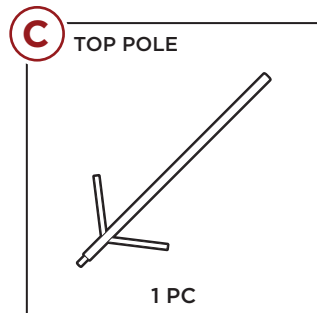
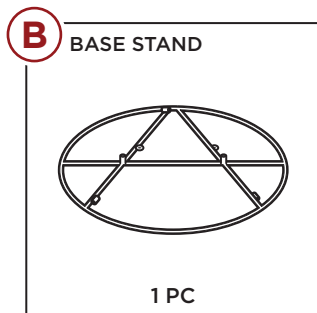
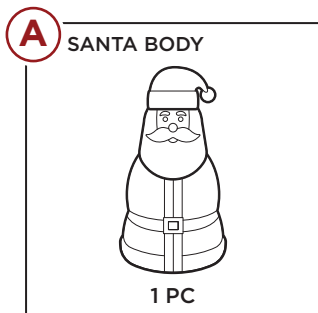
5

ROPE & CLIP



3 PCS

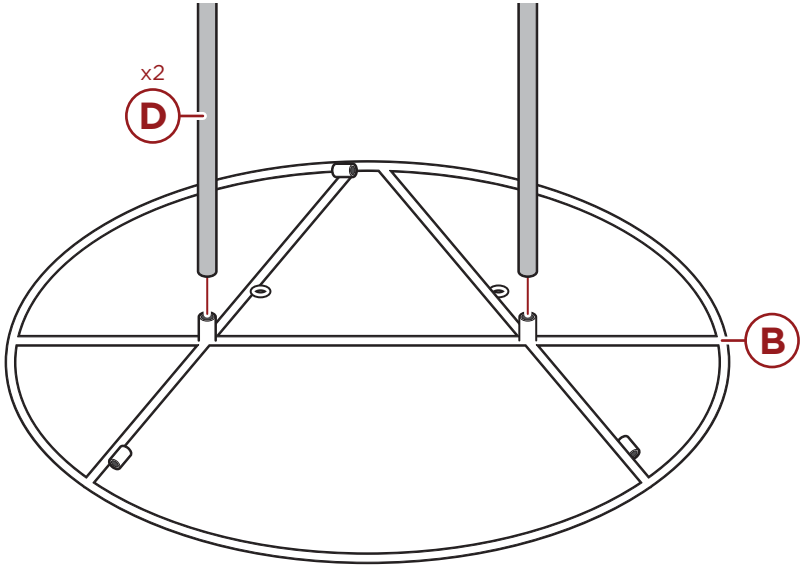
PARTS



PRODUCT ASSEMBLY

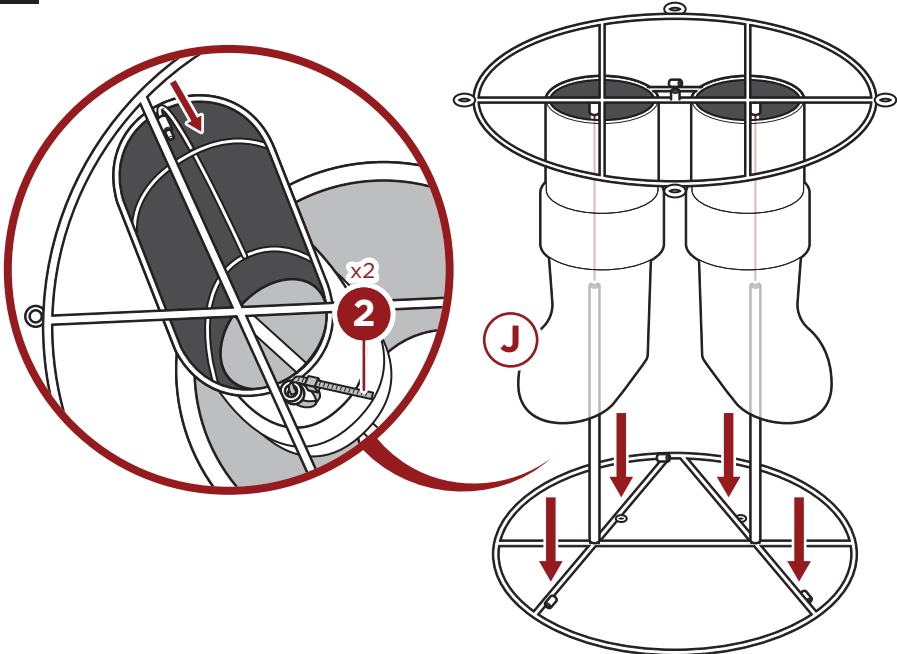
1

Place two **part D** inner poles onto the **part B** base stand.



2

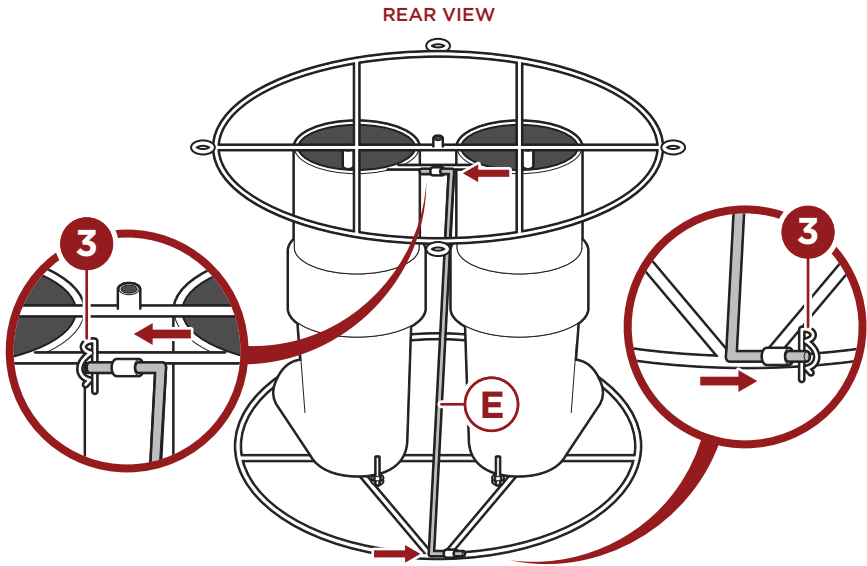
Locate the **part J** legs/feet and insert the **part D** inner poles, then secure the feet to the **part B** base stand with two **part 2** zip ties.



PRODUCT ASSEMBLY

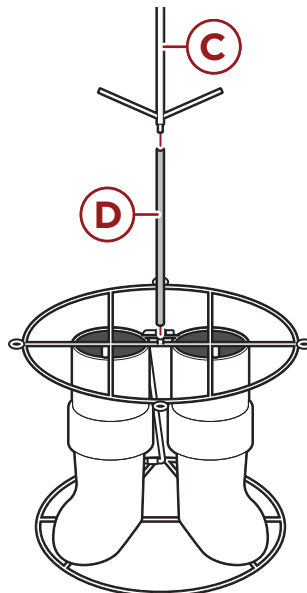
3

Insert one **part E stand support** to the **part B base stand**, then hook the other end into the receiver on the **part J legs/feet**, secure with two **part 3 cotter pins**.



4

Place one **part D inner pole** onto the top of the **part J legs/feet**, then attach one **part C top pole**.

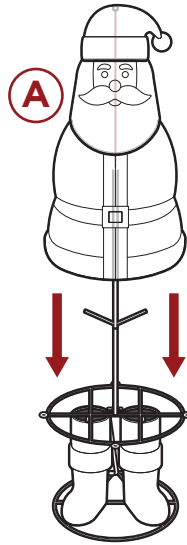


PRODUCT ASSEMBLY

5

Locate the **part A Santa body**, then insert the top of the **part C top pole** into the receiver inside the hat.

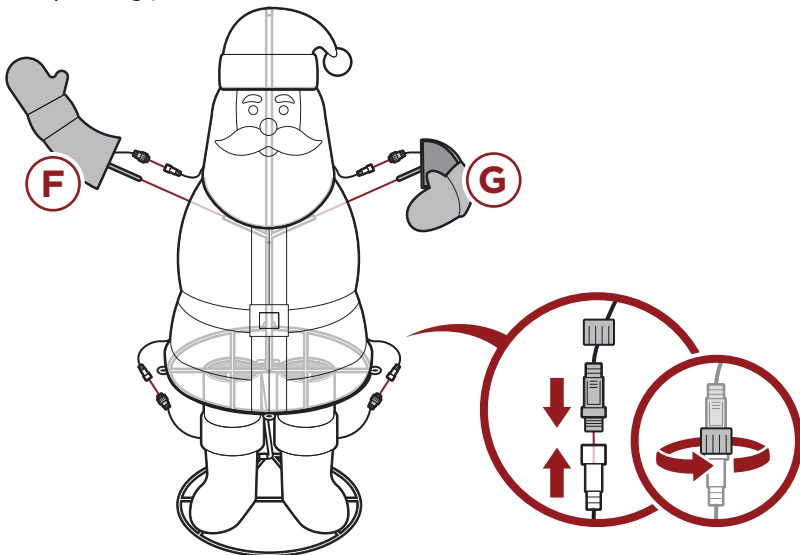
NOTE: Leave the figure on its side for easy connection.



6

Guide the **part A Santa body** down, then attach the **part F** and **part G right/left arms** to the arms of the **part C top pole**.

Locate the light cords on the **part F** and **part G arms** and connect them to the cords within the **part A Santa body**. Repeat by connecting the light cords in the **part A Santa body** to the cords in the **part J legs/feet**.

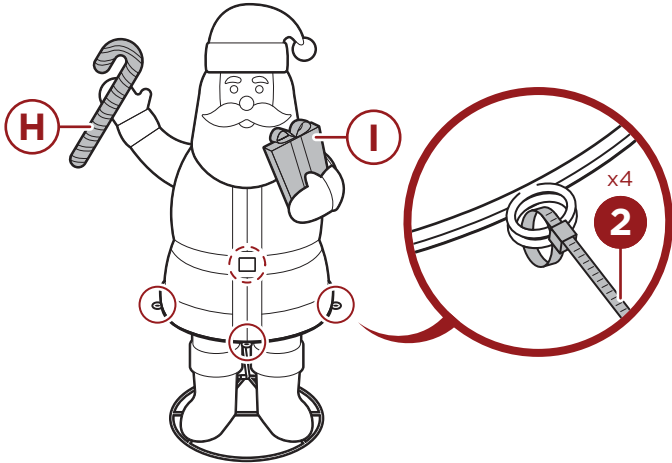


PRODUCT ASSEMBLY

7

Attach the **part H candy cane** to the **part F right arm**, and attach the **part I gift box** to the **part G left arm**.

Stand the assembled figure upright before proceeding. Secure the **part A Santa body** to the **part J legs/feet** with four **part 2 zip ties**.

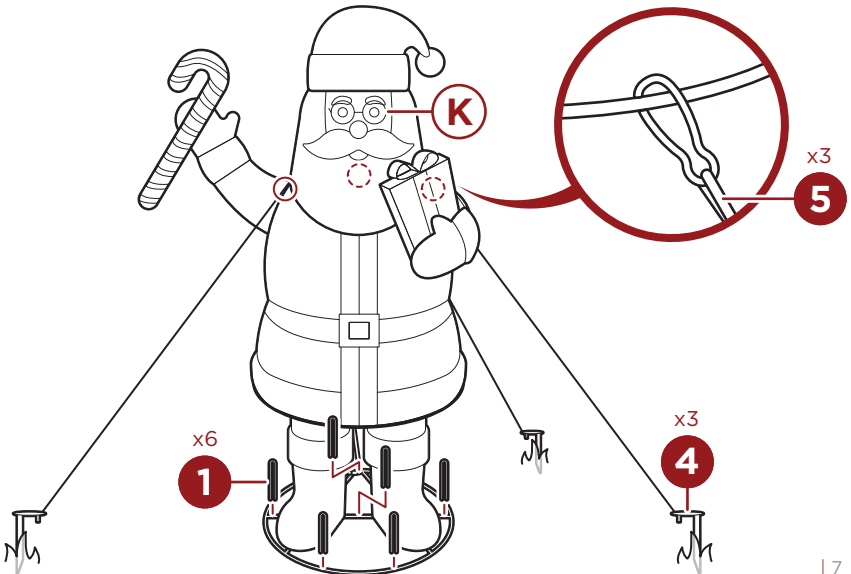


8

Attach the **part K glasses** to the **part A Santa body**.

Use six **part 1 u-stakes** to secure the assembled Santa figure to the ground, then plug into a power source to turn on the lights.

Attach three **part 5 rope & clip** to the rings located around the neck of the **part A Santa body**, then attach the ropes to the **part 4 plastic stakes**. Drive the **part 4 stakes** into the ground to secure.





HELP CENTER



Question about your product? We're here to help. Visit us at:

help.bestchoiceproducts.com



Chat Support



Product Inquiry



Orders FAQ



Product Assembly



Returns & Refunds

PRODUCT WARRANTY INFORMATION

All items can be returned for any reason within 60 days of the receipt and will receive a full refund as long as the item is returned in its original product packaging and all accessories from its original shipment are included. All returned items will receive a full refund back to the original payment method. All returned items will not be charged a re-stocking fee.

All returned items require an RA (Return Authorization) number, which can only be provided by a Best Choice Products Customer Service Representative when the return request is submitted. Items received without an RA may not be accepted or may increase your return processing time. Once an item has been received by Best Choice Products, refunds or replacements will be processed within 5 business days.

All returns must be shipped back to the Best Choice Products Return Center at the customer's expense. If the reason for return is a result of an error by Best Choice Products then Best Choice Products will provide a pre-paid shipping label via email. Boxes for return shipping will not be provided by Best Choice Products, and is the customer's responsibility to either use the original shipping boxes or purchase new boxes.

Pictures may be required for some returns to ensure an item is not damaged prior to its return. Items returned are not considered undamaged until they are received by Best Choice Products and verified as such. All damages to items are the customer's responsibility until the item has been received by and acknowledged by Best Choice Products as undamaged.

© Best Choice Products, Inc. All rights reserved. Distributed by Best Choice Products, Inc. Tustin, CA 92780

WARNING

Manufacturer and seller expressly disclaim any and all liability for personal injury, property damage or loss, whether direct, indirect, or incidental, resulting from the incorrect attachment, improper use, inadequate maintenance, unapproved modification, or neglect of this product.