



Ensemble™ Tile

60" x 36" Vikrell® bath/shower with Aging in Place backerboards, right above-floor drain
71100128



Features

- 18-1/4 apron
- Tongue-and-groove walls with snap-together modular design
- Tile look
- Corner shelves; built-in armrests and contoured back
- 3" (76 mm) drain-to-floor clearance for above-floor drain installation
- Aging in Place backerboards

Material

- Made from solid Vikrell® material for strength, durability, and lasting beauty

Installation

- Alcove
- Right drain
- Some caulk required for proper installation

Included Components

- 71104106 60" x 36" Vikrell® bath/shower wall set with Aging in Place backerboards
- 71101122 60" x 36" Vikrell® bath, right above-floor drain



Codes/Standards

- CSA B45.5/IAPMO Z124
- ASTM E162
- ASTM E662
- HUD, UM Bulletin 73

STERLING® Vikrell® or Acrylic Baths and Shower Bases Ten-Year Limited Warranty

See website for detailed warranty information.

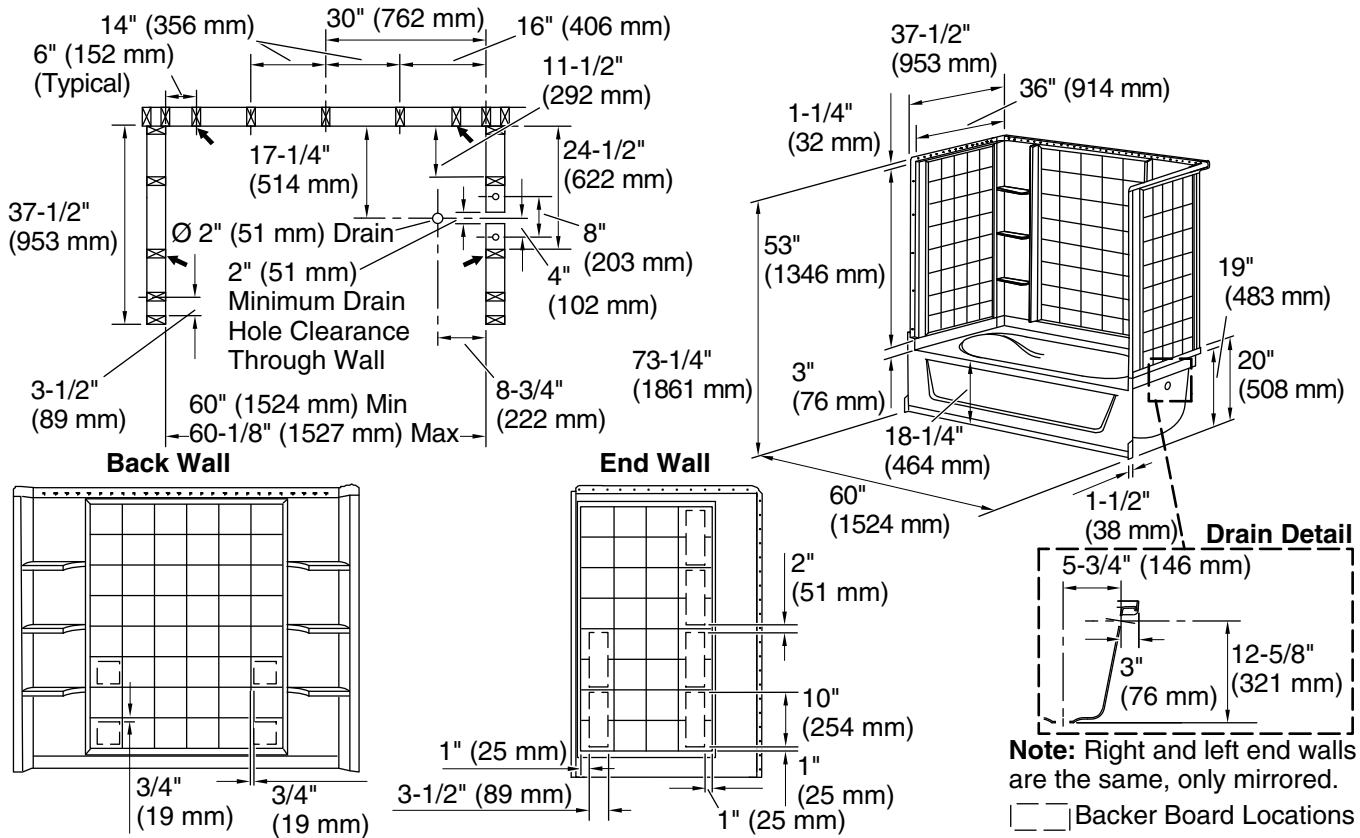
Available Colors/Finishes

Color tiles intended for reference only.

Color Code Description

| | | |
|--|---|-------|
| | 0 | White |
|--|---|-------|

Ensemble™ Tile
60" x 36" Vikrell® bath/shower with Aging in Place
backerboards, right above-floor drain
71100128



Technical Information

All product dimensions are nominal.

| | |
|------------------------|------------------------------|
| Drain location: | Right |
| Basin area, bottom: | 40" x 21" (1016 mm x 533 mm) |
| Basin area, top: | 52" x 29" (1321 mm x 737 mm) |
| Water depth: | 11" (279 mm) |
| Water capacity: | 40 gal (151.4 L) |
| Minimum flat for door: | 3-1/4" (83 mm) |
| Maximum door height: | 55-3/4" (1416 mm) |
| Maximum door width: | 58-1/2" (1486 mm) |

Notes

Install this product according to the installation instructions.
Studs should be positioned roughly as shown. Double studding is recommended for pivot shower door installations.
Attach grab bars at the specified backerboard locations only.