



BEST CHOICE
PRODUCTS



INSTRUCTION MANUAL

Building Block Activity Table
with 2 Stools

! NOTICE

Please retain these instructions for future reference.

- This product is intended for indoor use only.
- This product is made of wood and is not suitable or protected against water. Please wipe clean after any liquid spills as water and other liquids can damage and or disform the wood.
- Do not stand on or use any part of this item as a step ladder.
- Firmly secure all bolts and screws before use.
- Reconfirm that all bolts and screws are secure every 90 days.
- If any parts are missing, broken, damaged, or worn, stop using this item until repairs are made and/or factory replacement parts are installed.
- To wipe down item, use a damp cloth. Then, wipe it down once more with a dry cloth.
- This product is intended for residential use only.

AGE RANGE: 3 - 7 years

TOOLS REQUIRED



**PHILLIPS
SCREWDRIVER
(not included)**



**100 LBS
STOOL
WEIGHT LIMIT**



**1 PERSON
ASSEMBLY**



**UP TO 15 MIN.
ASSEMBLY**

HARDWARE

1

SCREW

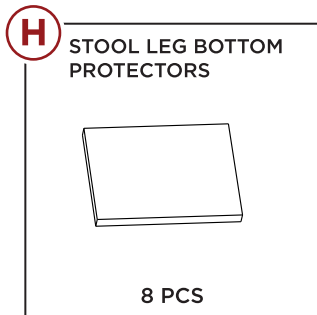
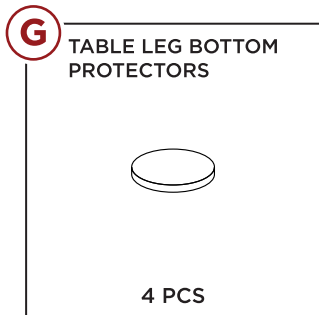
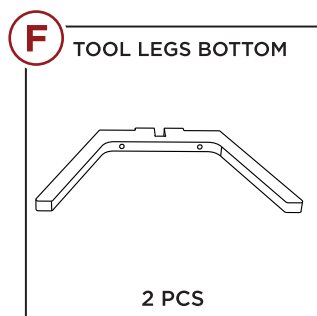
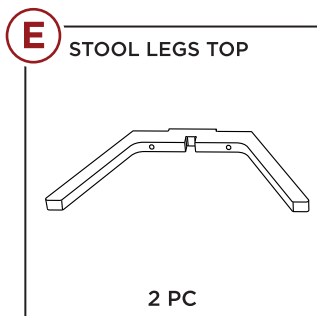
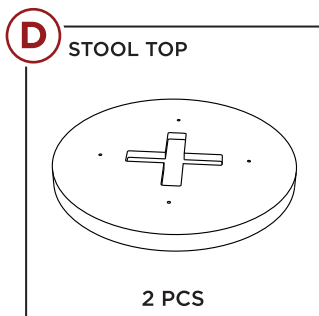
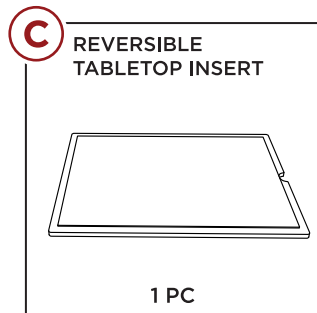
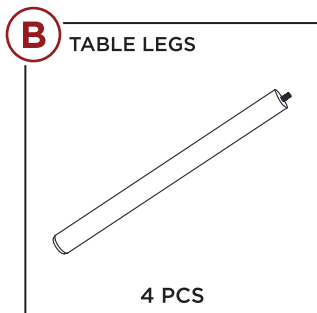
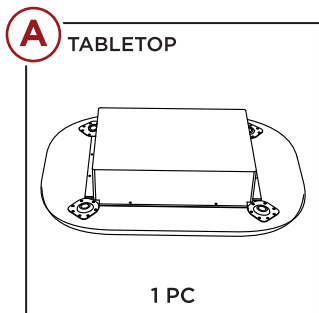


8 PCS

! WARNING

- This product requires adult assembly and supervision when in use.
- This product contains small parts. May result in choking hazard for children under 3 years.
- Please do not exceed the weight limitations of this item.
- Fasten screws loosely during initial assembly. Do not firmly tighten the screws until the item is completely assembled.
- Do not use or store this item in the proximity of open flame or flammable/combustible chemicals and substance.
- Be aware that some parts are heavy or have sharp edges.
- Do not use this item in a way inconsistent with manufacturer's instructions as this could void the product warranty.
- This product is intended for residential use only.

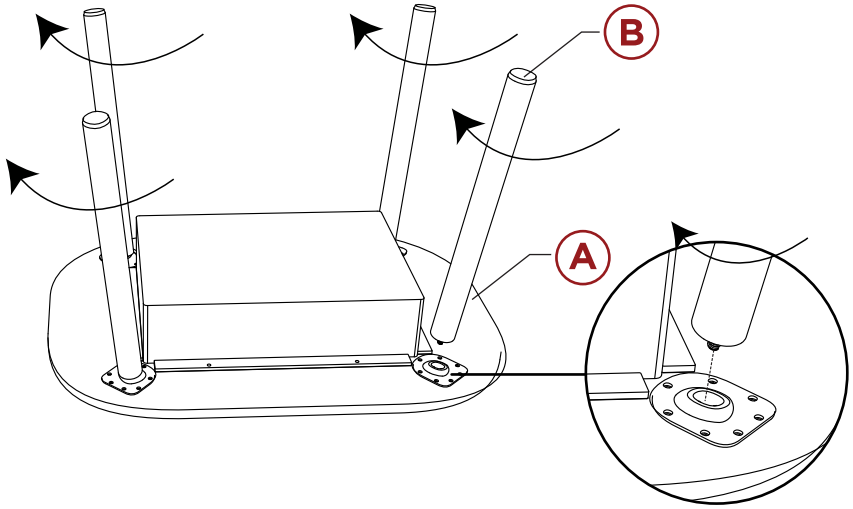
PARTS



PRODUCT ASSEMBLY - Table

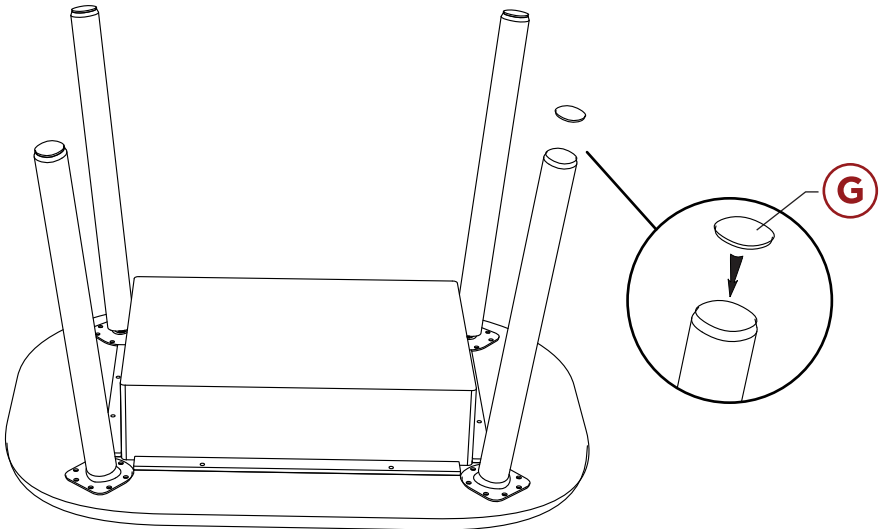
1

Place the **part A tabletop** topside down on a flat, level surface, then screw the four **part B table legs** into the metal receivers. Screw the legs clockwise until secure.



2

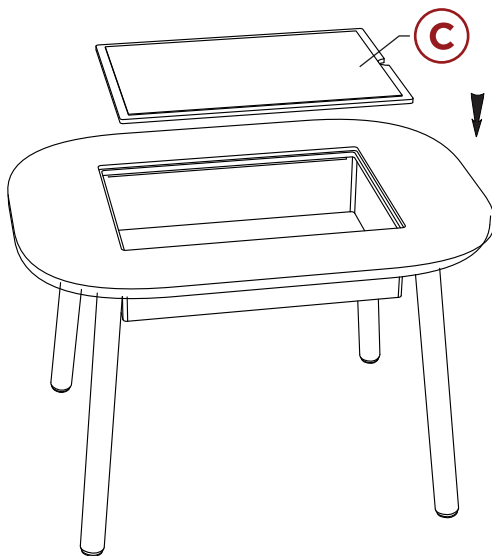
Peel the paper off the back of one **part G table leg bottom protector** and attach it to one **part B table leg**. Repeat to attach three more bottom protectors.



PRODUCT ASSEMBLY - Table

3

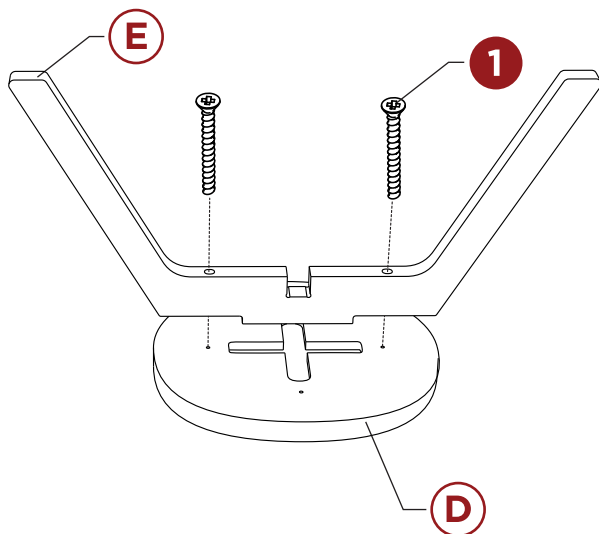
Flip the table assembly upright so all four legs rest on the ground.
Place the **part C reversible tabletop insert** onto the **part A tabletop**.



PRODUCT ASSEMBLY - Stool

1

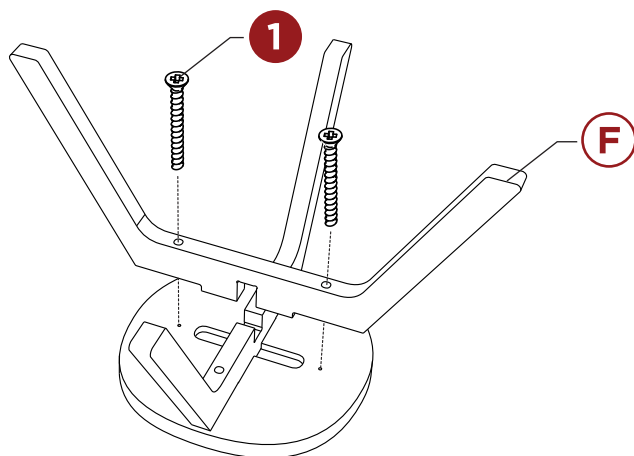
Place one **part D stool top** topside down and insert one **part E stool legs** top into the opening. Secure with two **part 1 screws**.



PRODUCT ASSEMBLY - Table

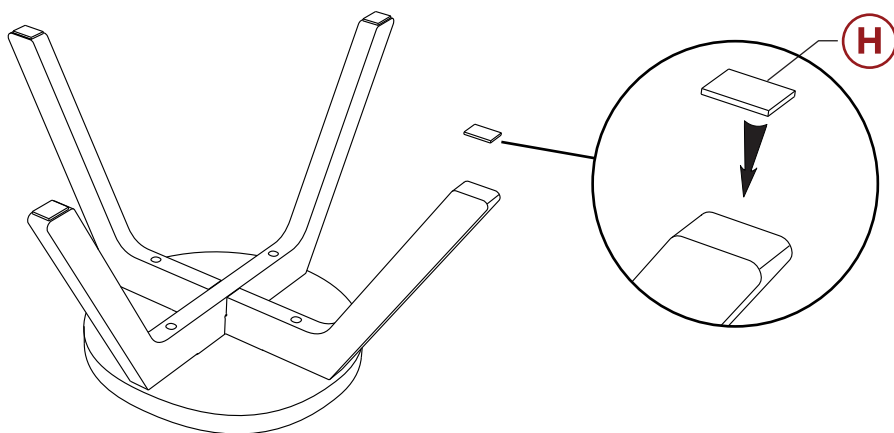
2

Insert one **part F stool leg bottom** into the opening, perpendicular to the **part E stool legs**, then secure with **two part 1 screws**.



3

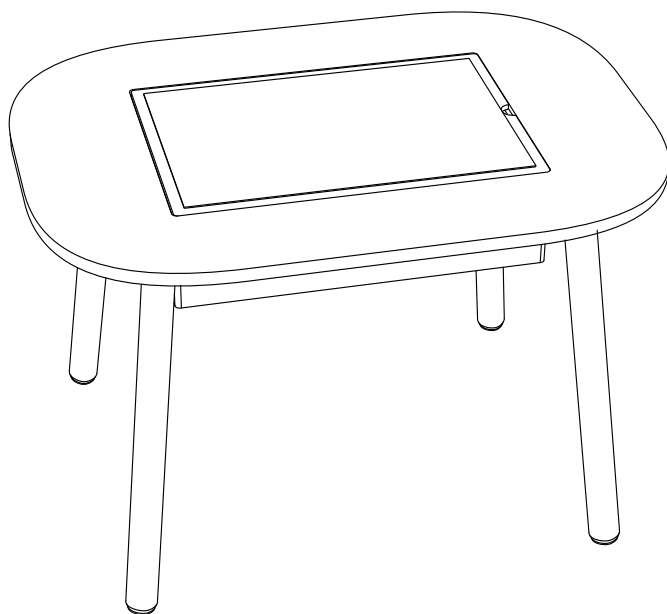
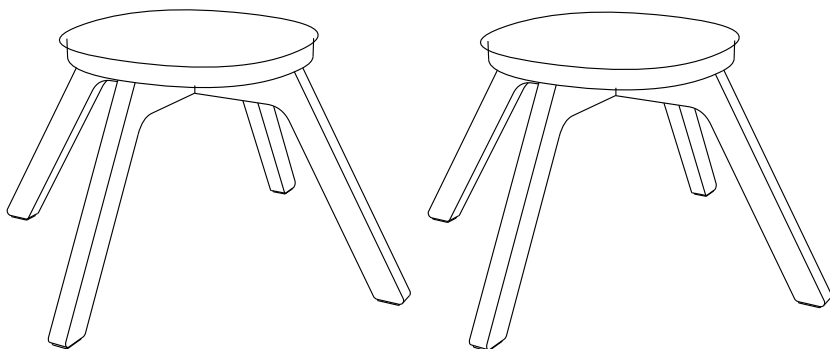
Peel the paper off the back of one **part H stool leg bottom protector** and attach it to the **part E & F stool leg bottoms**. Flip the assembled stool upright so all four legs rest on the ground.



PRODUCT ASSEMBLY - Table

4

Repeat steps 1-3 to build a second stool.





HELP CENTER



Question about your product? We're here to help. Visit us at:

help.bestchoiceproducts.com



Chat Support



Product Inquiry



Orders FAQ



Product Assembly



Returns & Refunds

PRODUCT WARRANTY INFORMATION

All items can be returned for any reason within 60 days of the receipt and will receive a full refund as long as the item is returned in its original product packaging and all accessories from its original shipment are included. All returned items will receive a full refund back to the original payment method. All returned items will not be charged a re-stocking fee.

All returned items require an RA (Return Authorization) number, which can only be provided by a Best Choice Products Customer Service Representative when the return request is submitted. Items received without an RA may not be accepted or may increase your return processing time. Once an item has been received by Best Choice Products, refunds or replacements will be processed within 5 business days.

All returns must be shipped back to the Best Choice Products Return Center at the customer's expense. If the reason for return is a result of an error by Best Choice Products then Best Choice Products will provide a pre-paid shipping label via email. Boxes for return shipping will not be provided by Best Choice Products, and is the customer's responsibility to either use the original shipping boxes or purchase new boxes.

Pictures may be required for some returns to ensure an item is not damaged prior to its return. Items returned are not considered undamaged until they are received by Best Choice Products and verified as such. All damages to items are the customer's responsibility until the item has been received by and acknowledge by Best Choice Products as undamaged.

© 2023 Best Choice Products, Inc. All rights reserved. Distributed by Best Choice Products, Inc. Tustin, CA 92780

WARNING

Manufacturer and seller expressly disclaim any and all liability for personal injury, property damage or loss, whether direct, indirect, or incidental, resulting from the incorrect attachment, improper use, inadequate maintenance, unapproved modification, or neglect of this product.