

Features

- Built-in heater
- Remote control
- Overflow channel for deep soak and unique infinity pool effect

Material

- Acrylic

Hydrotherapy

- 11 effervescence ports deliver gentle, caressing bubbles

Installation

- Drop-in

Required Products/Accessories

K-7193 Bath Drain

Recommended Products/Accessories

K-1601 Bath/whirlpool footstop, removable

K-923 Wall- or -ceiling-mount bath filler

K-23726 Drain treatment



Codes/Standards

ASME A112.19.7/CSA B45.10

CSA B45.5/IAPMO Z124

ASTM E162

ASTM E662

UL 1795

CSA C22.2 No. 218.2

cUL Listed

UL Listed

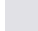
KOHLER® Plastic Baths and Shower Bases Lifetime Limited Warranty **KOHLER® Hydrotherapy Components Five-Year Limited Warranty**

See website for detailed warranty information.

Available Colors/Finishes

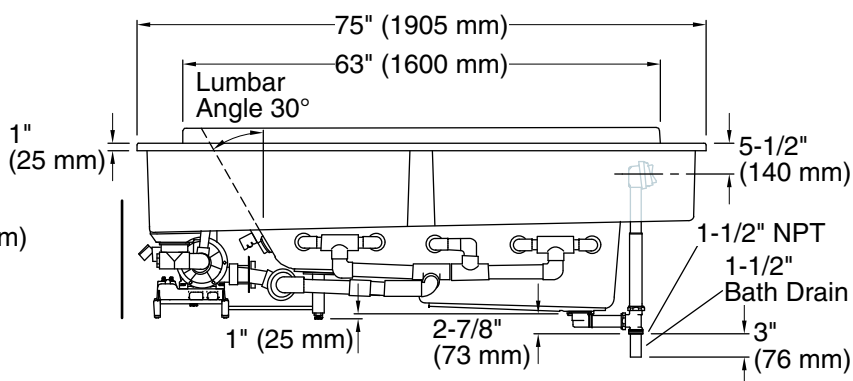
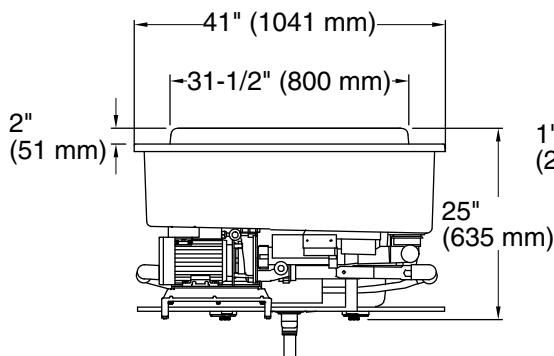
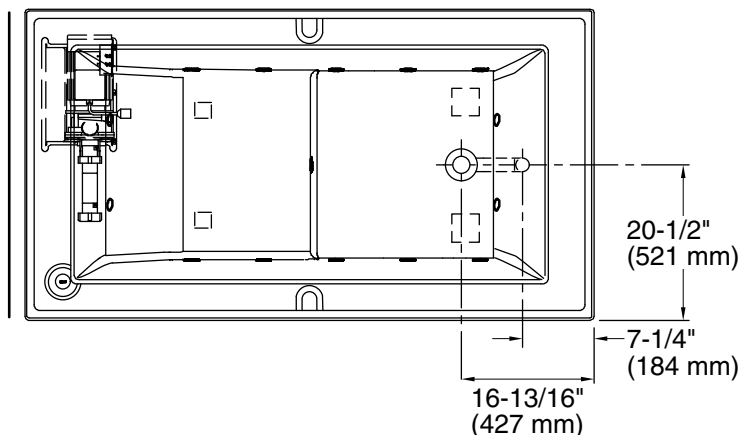
Color tiles intended for reference only.

Color Code Description

	0	White
---	---	-------

No change in measurements if connected with drain illustrated. (K-7193)

Pump/Control Access
15" (381 mm) H x 40" (1016 mm) W Min



Required Electrical Service

Two dedicated circuits required, protected with Class A Ground-Fault Circuit-Interrupter (GFCI). Outside North America, this device may be known as a Residual Current Device (RCD).

Pump: 240 V, 20 A, 50/60 Hz
Heater: 240 V, 20 A, 50/60 Hz

Technical Information

All product dimensions are nominal.

Drain location: Right
Basin area, bottom: 45" x 25-1/2" (1143 mm x 648 mm)
Basin area, top: 61-1/2" x 30-1/4" (1562 mm x 768 mm)
Weight: 280 lbs (127 kg)
Minimum floor load: 59 lbs/ft² (288.1 kg/m²)
Water depth: 23-1/2" (597 mm)
Water capacity: 142 gal (537.5 L)
Cutout: Drop-in, 73-1/2" x 39-1/2" (1867 mm x 1003 mm)
Electrical component rating: Pump: 240 V, 17 A, 50/60 Hz
Heater: 240 V, 17 A, 50/60 Hz, 4000 W

Pump speed: Variable

1-800-4KOHLER (1-800-456-4537)

Kohler Co. reserves the right to make revisions without notice to product specifications.

For the most current Specification Sheet, go to www.kohler.com USA or www.kohler.ca Canada

2-2-2026 21:48 - US/CA

Notes

Measure your actual product for rough-in details.

Install this product according to the installation instructions.

The hot water supply should be 70% of the capacity of the bath or greater. Installations will vary.

Consult local and national codes for minimum air gap requirements when installing a spout on the faucet deck.

Unit must be filled through the bathing well.