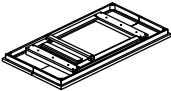

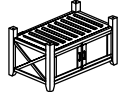






ASSEMBLY INSTRUCTION

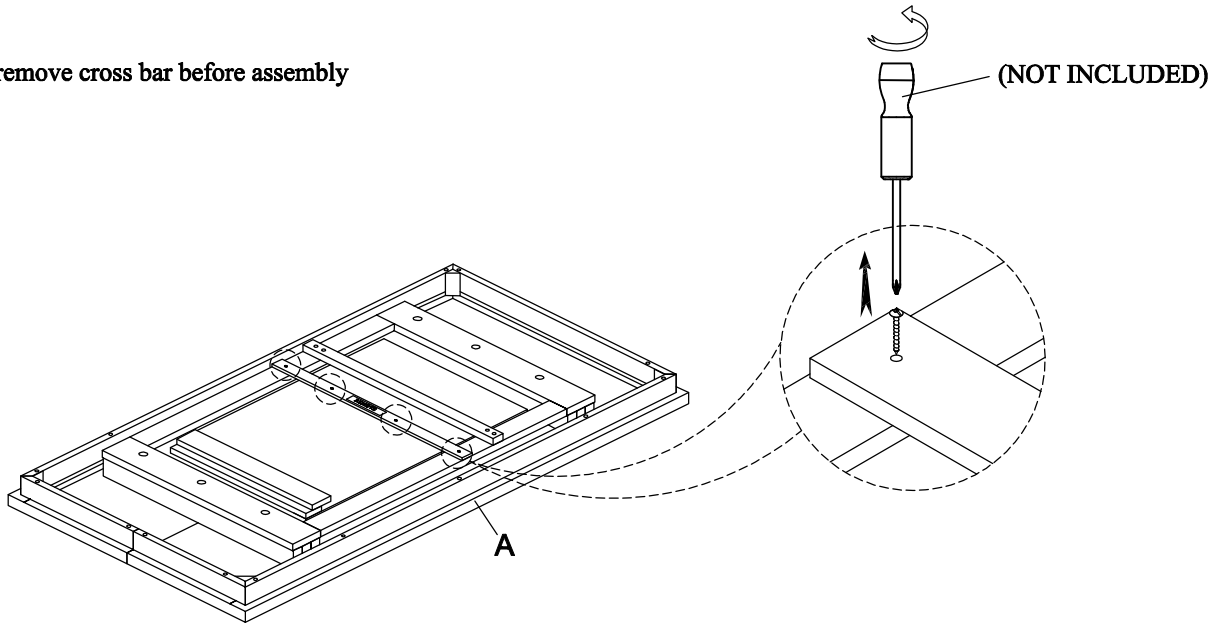
ITEM NO: 5655-36 COUNTER HEIGHT TABLE TOP
5655-36B COUNTER HEIGHT TABLE BASE

Thank you for purchasing this quality product. Be sure to check all packing material carefully for small parts that may have come loose inside the carton during shipment.

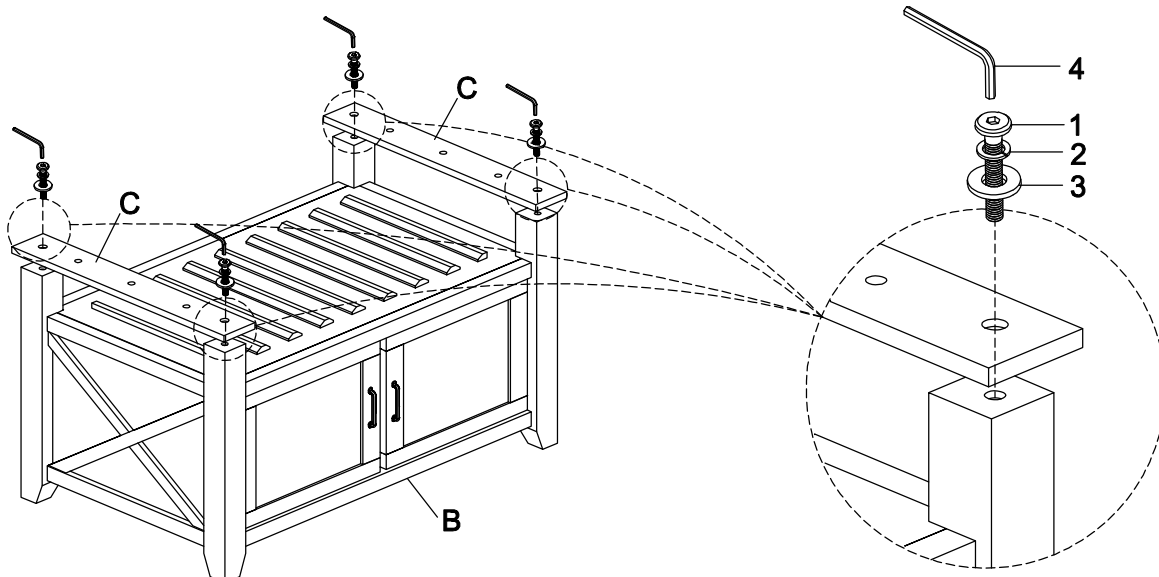
PARTS LIST				HARDWARE LIST				
NO.	Description	Sketch	Q'ty	NO.	Description	Sketch	Size	Q'ty
A	TABLE TOP		1PC	1	BOLT		5/16"-20 x 1 1/2"	10PCS
B	TABLE BASE		1PC	2	SPRING WASHER		5/16"ID x 3/8"OD x 1/16"TK	10PCS
C	MOUNTING PLATE		2PCS	3	FLAT WASHER		5/16"ID x 3/4"OD x 1/16"TK	10PCS
				4	ALLEN KEY		1/6"	1PC

STEP1

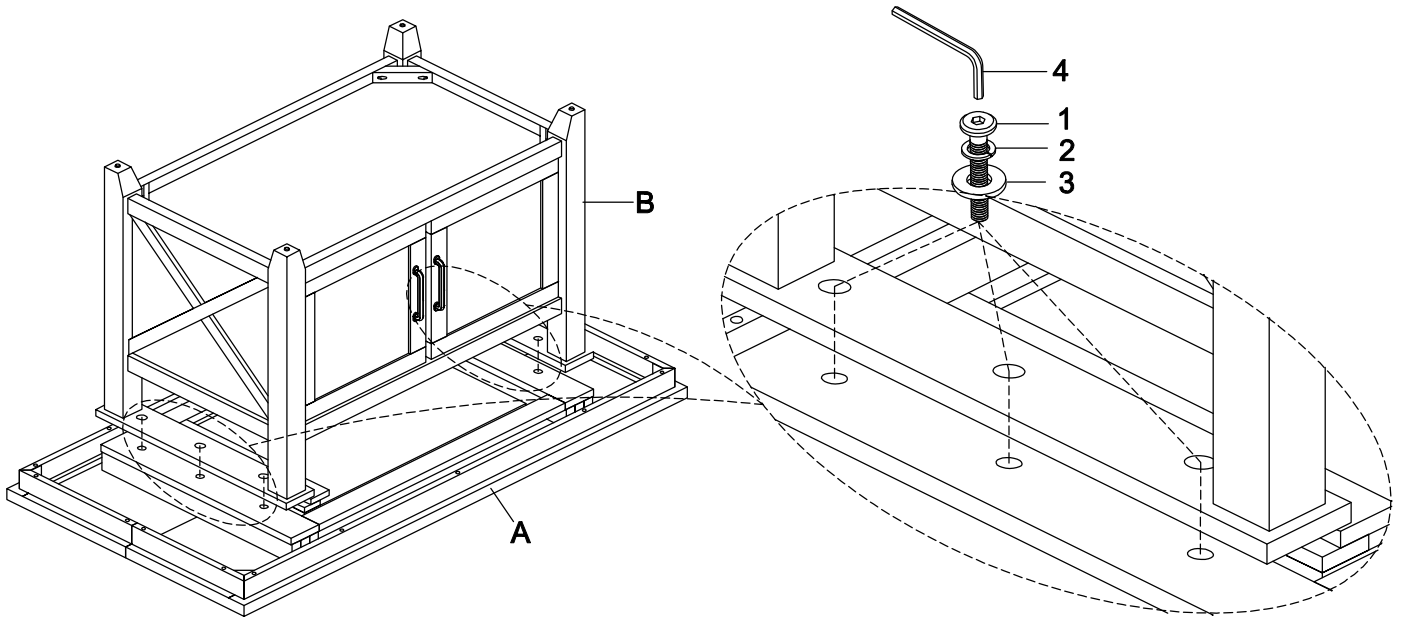
Please remove cross bar before assembly



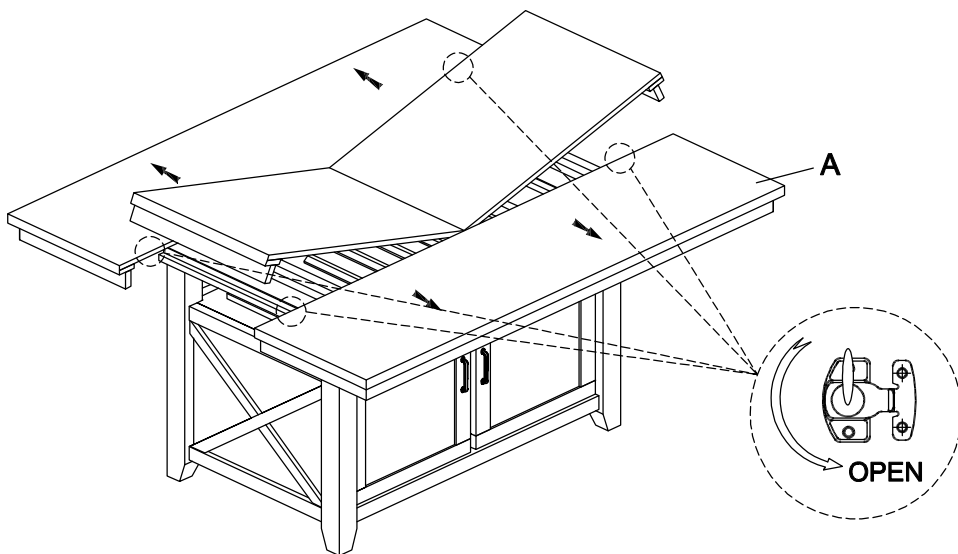
STEP2



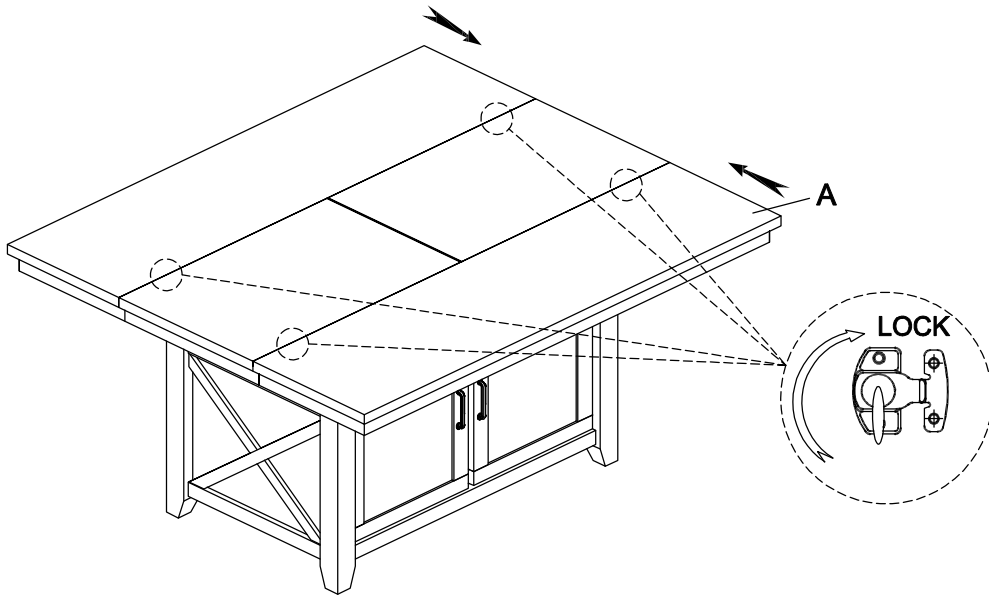
STEP3



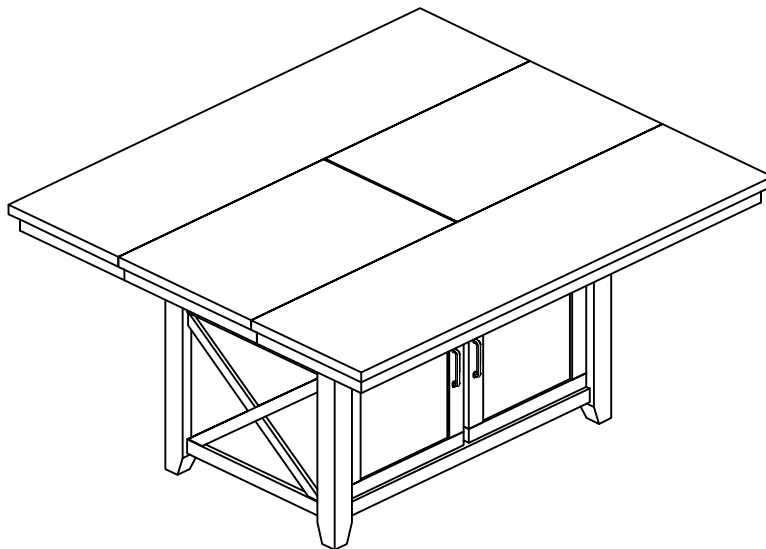
STEP4



STEP5



COMPLETED



DO NOT TIGHTEN BOLTS UNTIL COMPLETELY ASSEMBLED.



It is recommended to install protective pads under all legs and supports to avoid damage or scratches when placing furniture on a wood floor or other hard surface, and to limit indentation and prevent discoloration if placing on carpet.