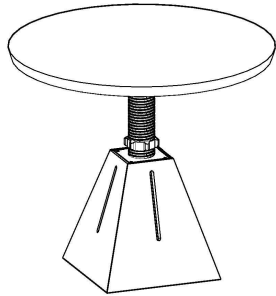
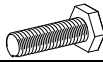


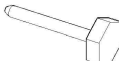


HEKMAN

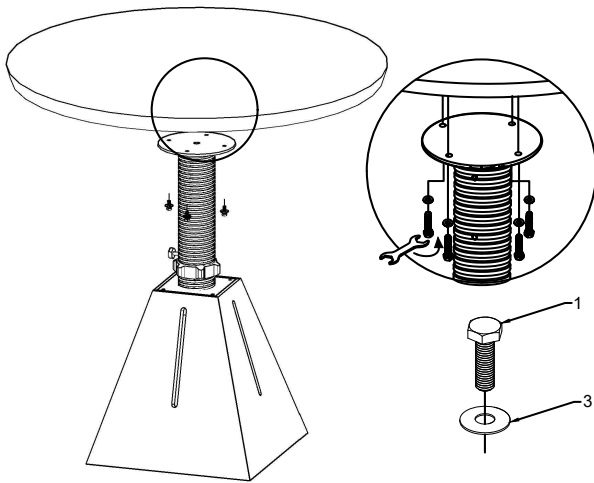
ASSEMBLY INSTRUCTION 28549 - ADJ HEIGHT DINING TABLE



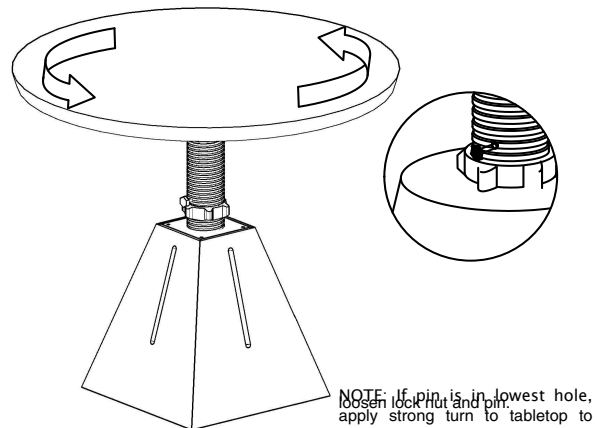
HARDWARE LIST

01		Bolt	04 pcs
03		Flat Washer	04 pcs
04		Spanner	01 pcs
05		Lock pin	01 pcs

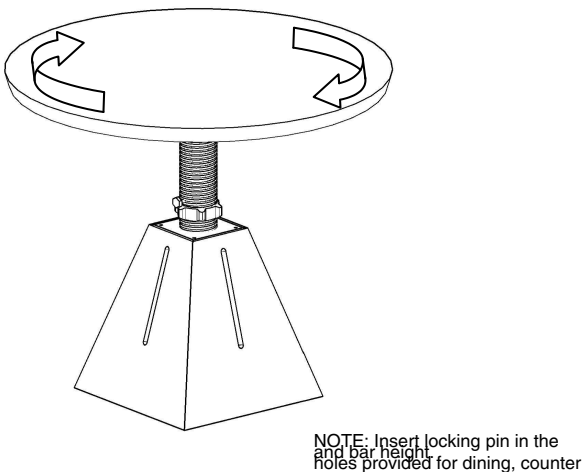
Step #1



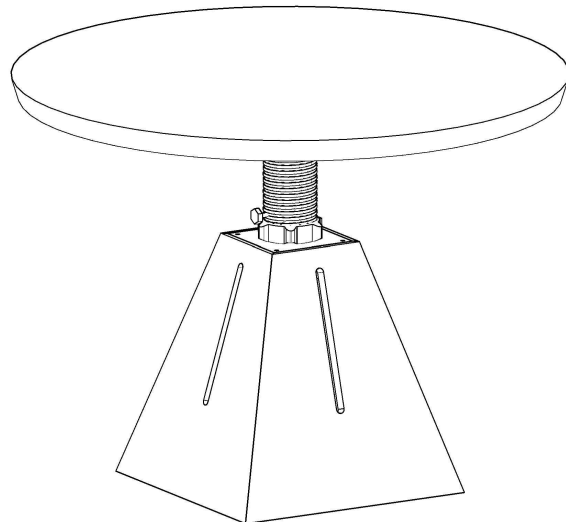
Step #2



Step #3



Step #4



The particular Revolve table can be used as a Bar table, Dining table & a Counter table. Place the table base and table top on a soft surface.

Step 1- Turn the iron stem in anti-clock wise direction till it is on the top most level. Place the round wooden top on the

table. Step 2- Move lock nut in clock wise direction till it is fully tight. Insert locking pin in the hole and the table is ready as a Bar

table. Option 2. Remove the locking pin and place it in the middle hole. Unscrew the lock nut turning table top in clock wise

direction till it comes down on the locking position. The table is now ready as a Dining table.

Option 3. Remove the locking pin and insert it in the uppermost hole, unscrew the lock nut turning table top in clock wise direction