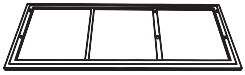
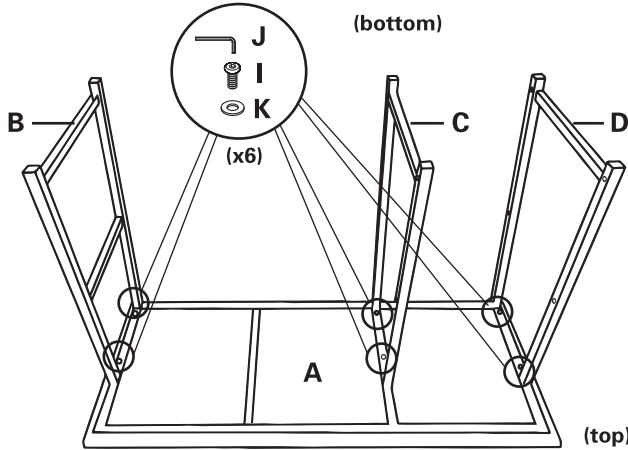
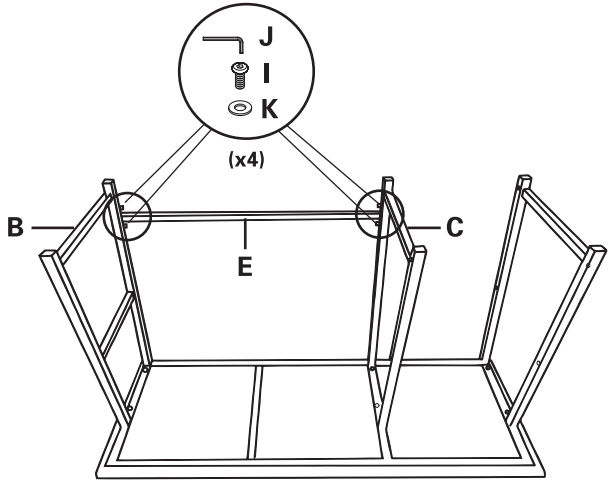

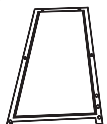


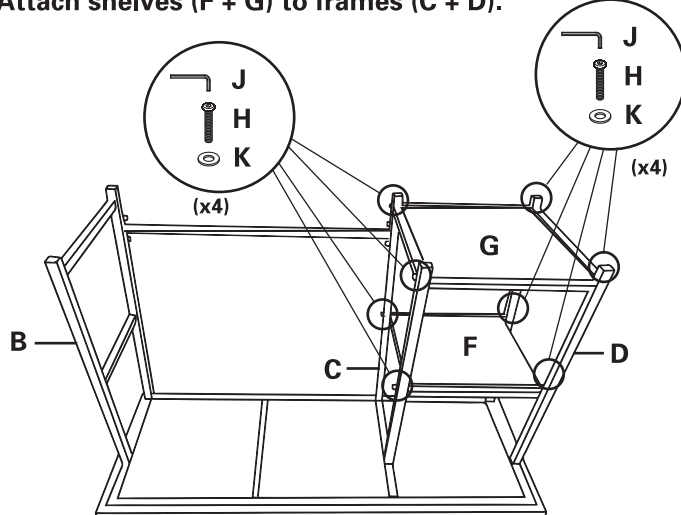
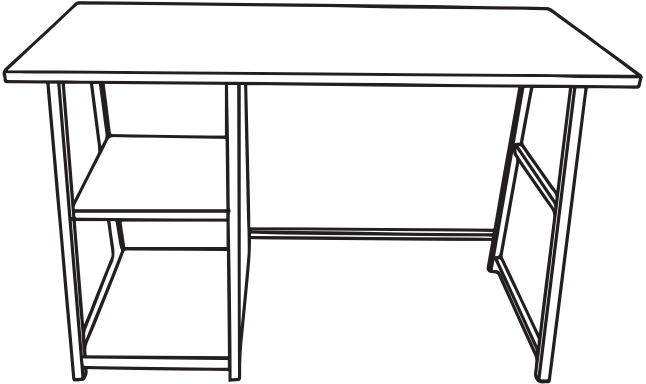








ENZO DESK WITH SHELVES

ASSEMBLY INSTRUCTIONS

FIRSTIME & CO.[®]
— AMERICAN DESIGNED —

PARTS		STEP 1	STEP 2
A  1 PC		STEP 1 Attach side and center frames (B + C + D) to the desk top (A). 	STEP 2 Attach rod (E) to frames (B + C). 
B  1 PC	C  1 PC		
D  1 PC	E  1 PC	STEP 3 Attach shelves (F + G) to frames (C + D). 	FULLY ASSEMBLED 
F  1 PC	G  1 PC		
H  8 PC	I  10 PC		
J  1 PC	K  18 PC		