



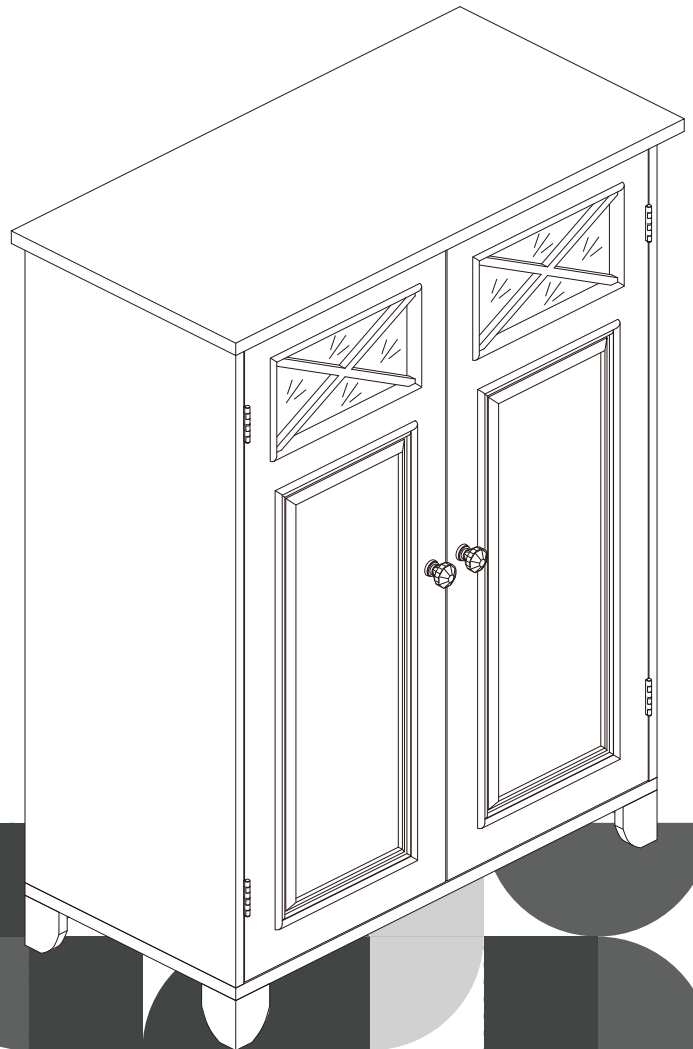
Extended Warranty
Sign Up

E-1

Welcome home!

6841

**TEAMSON HOME
Dawson Floor Cabinet
with Two Doors**





**Questions? Comments? Need help?
Call or email us any time!**

Global Customer Service

USA

+1(800)935-3959

Mon - Fri 10:00am ~ 2:00pm EST

✉ support@teamson.com

EU/UK

+44(0)1952-916-050

Mon - Thu 9:00am ~ 5:00pm GMT

Friday 9:00am ~ 4:00pm GMT

✉ support@teamson.co.uk

ASIA

深圳办公室:

+86(0755)8885-3558.分机号331

Mon - Sat 9:00am ~ 5:00pm GMT+8

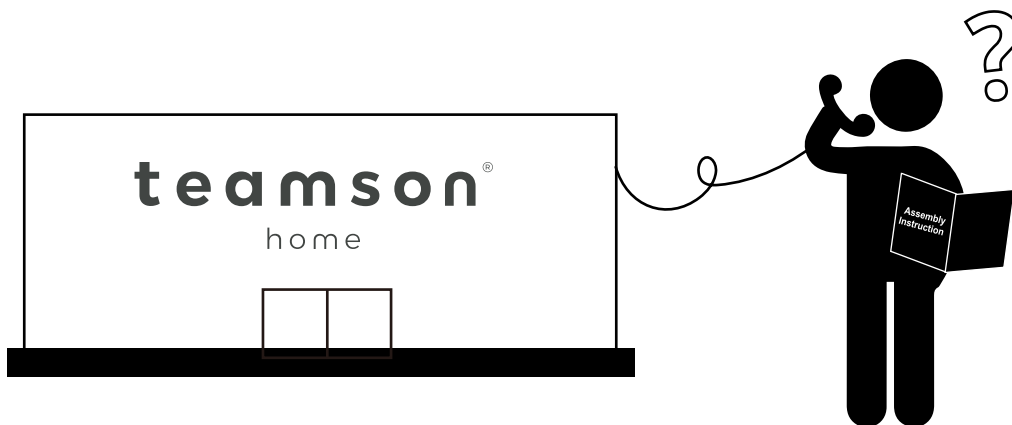
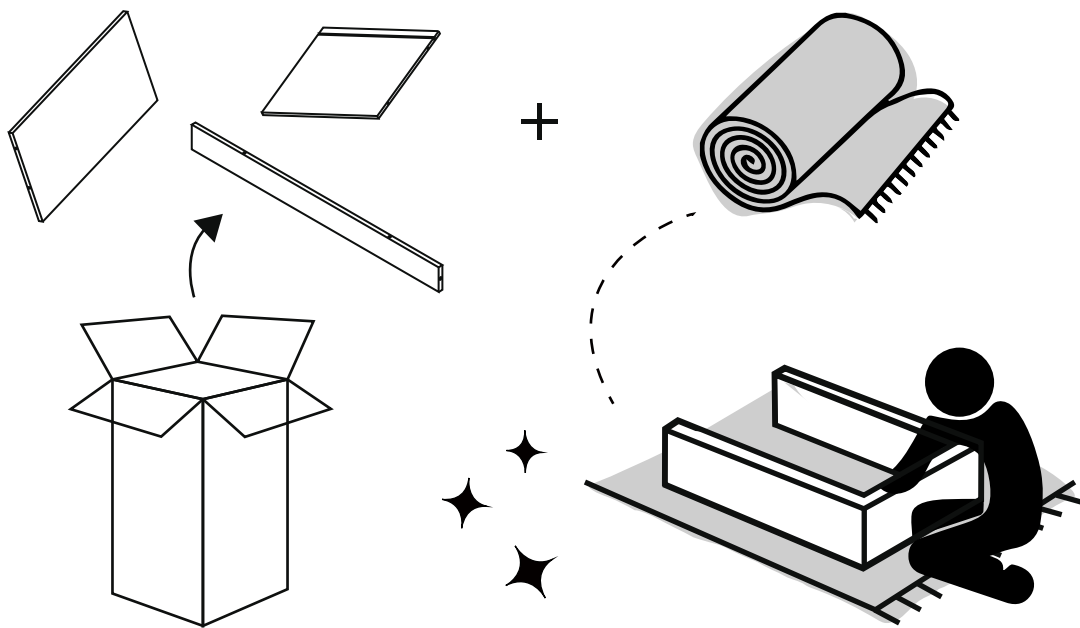
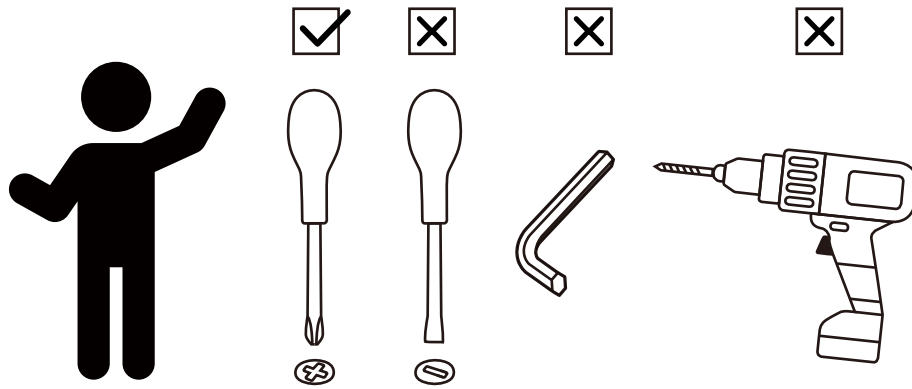
✉ sales_ec@teamson.com

台北办公室:

+886(2)2556-6268

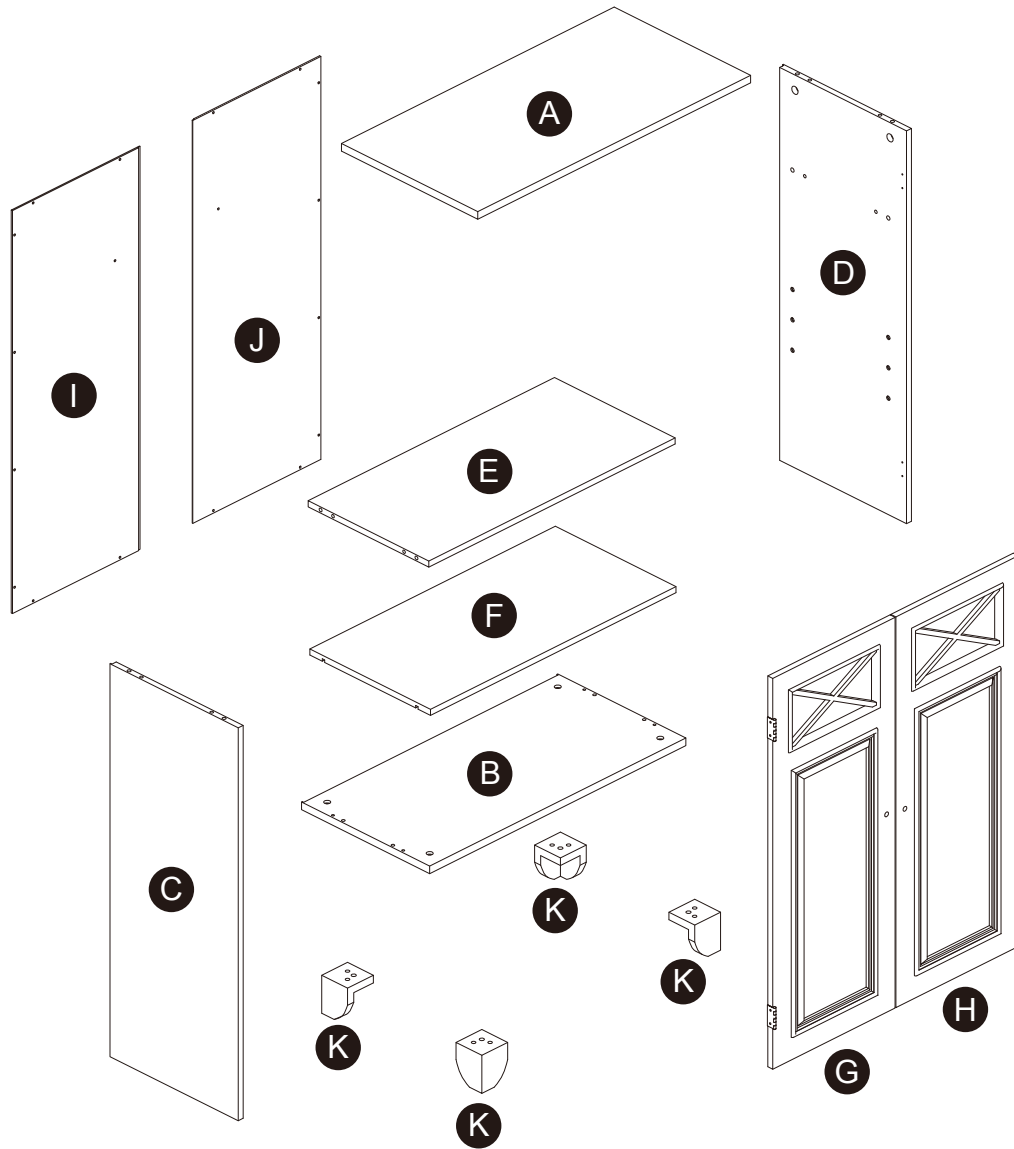
Mon - Fri 9:00am ~ 5:00pm GMT+8

✉ sales_ec@teamson.com



** Got questions? Please have your product code (on the first page of this instruction, e.g. TD-12345A) and the order number ready, give us a call or email us through our customer care support! We are always ready to assist you!

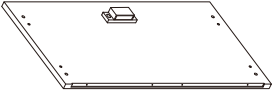
Exploded Drawing



Scan for assembly instructions.

Product Parts

A



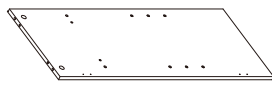
1 PC

B



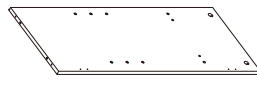
1 PC

C



1 PC

D



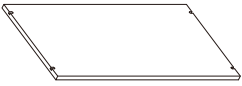
1 PC

E



1 PC

F



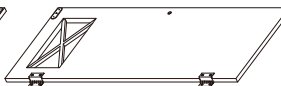
1 PC

G



1 PC

H



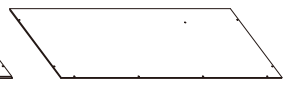
1 PC

I



1 PC

J



1 PC

K



4 PCS

! Care Instructions

Dust surface with a dry soft cloth. Do not use window cleaners or cleaning abrasives as they will scratch the surface and could damage the protective coating

! WARNING

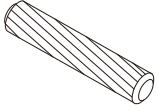
Small parts and sharp edges may be present prior to assembly.



Scan for assembly instructions.

Hardware

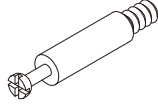
1



Ø6*30mm

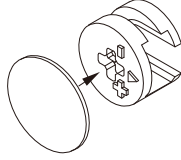
20 PCS

2



8 PCS

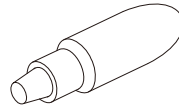
3



Ø15*9

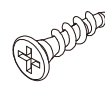
8 PCS

4



1 PC

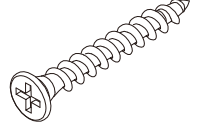
5



Ø3*12mm

8 PCS

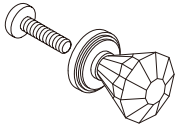
6



Ø4*38mm

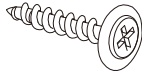
4 PCS

7



2 SETS

8



Ø3*12 D=7

18 PCS

9



4 PCS

10



Ø1/4"*1"

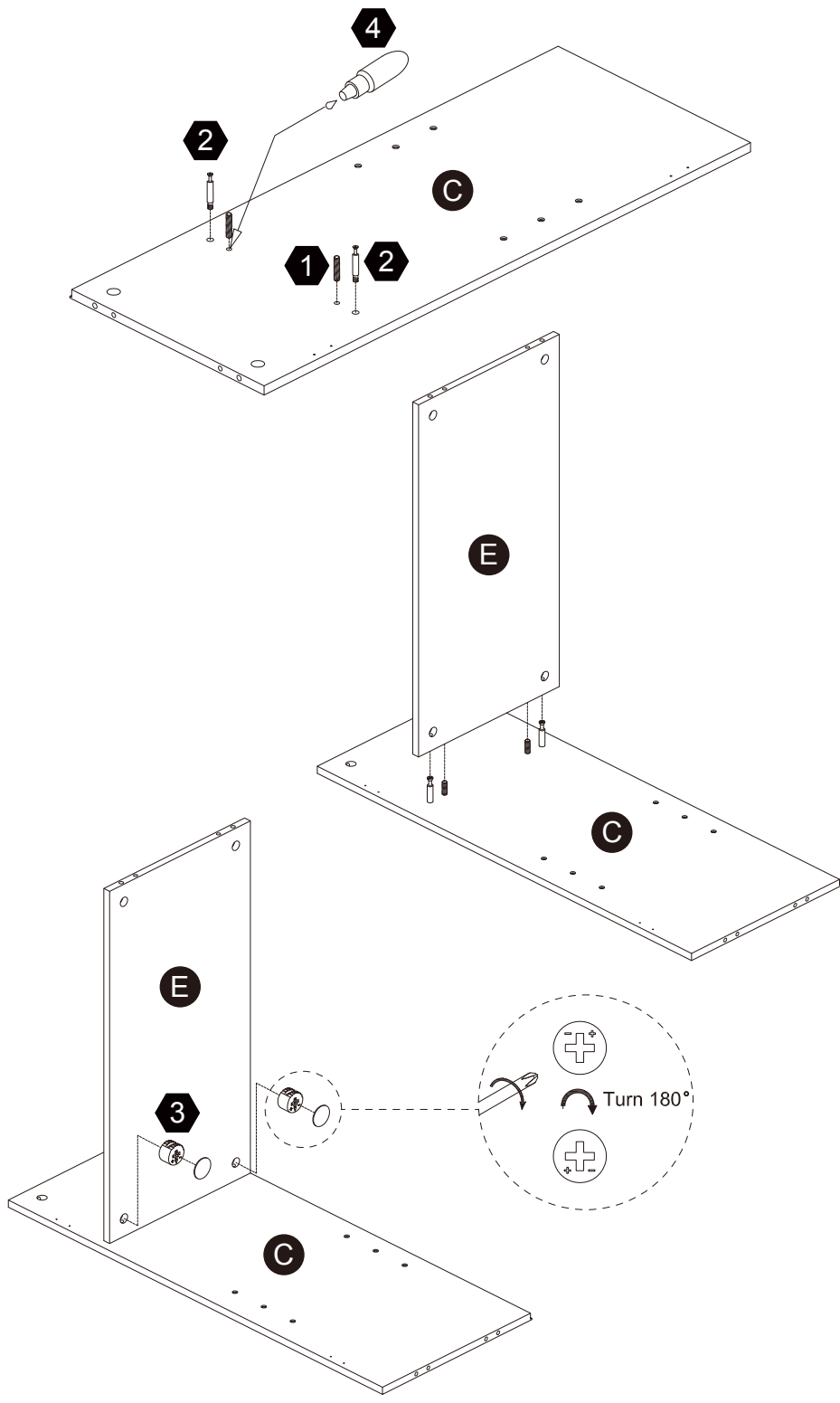
4 PCS



Scan for assembly instructions.

Step 1

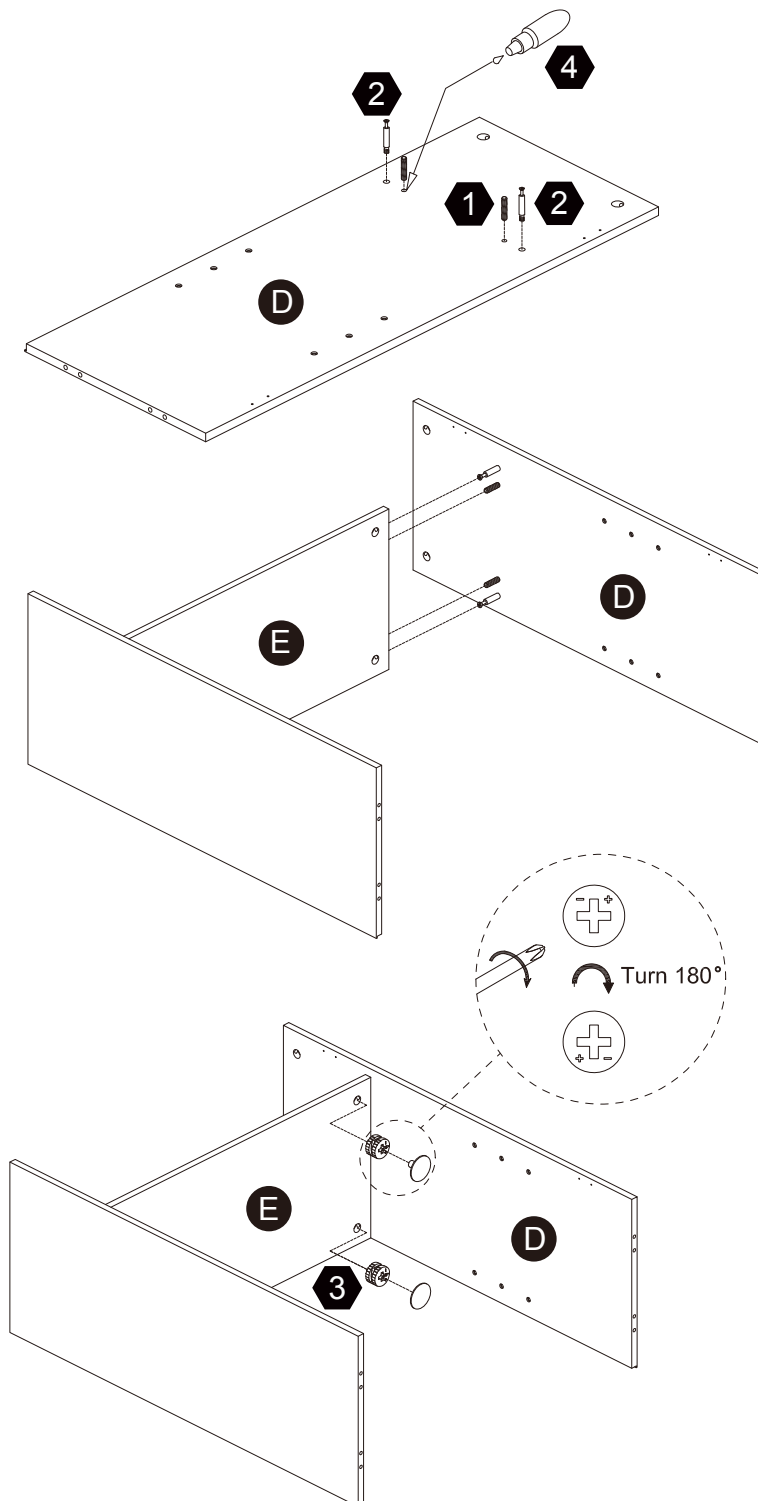
- 1  Ø6*30mm 2 pcs
- 2  2 pcs
- 3  Ø15*9 2 pcs
- 4  1 pc



Scan for assembly instructions.

Step 2

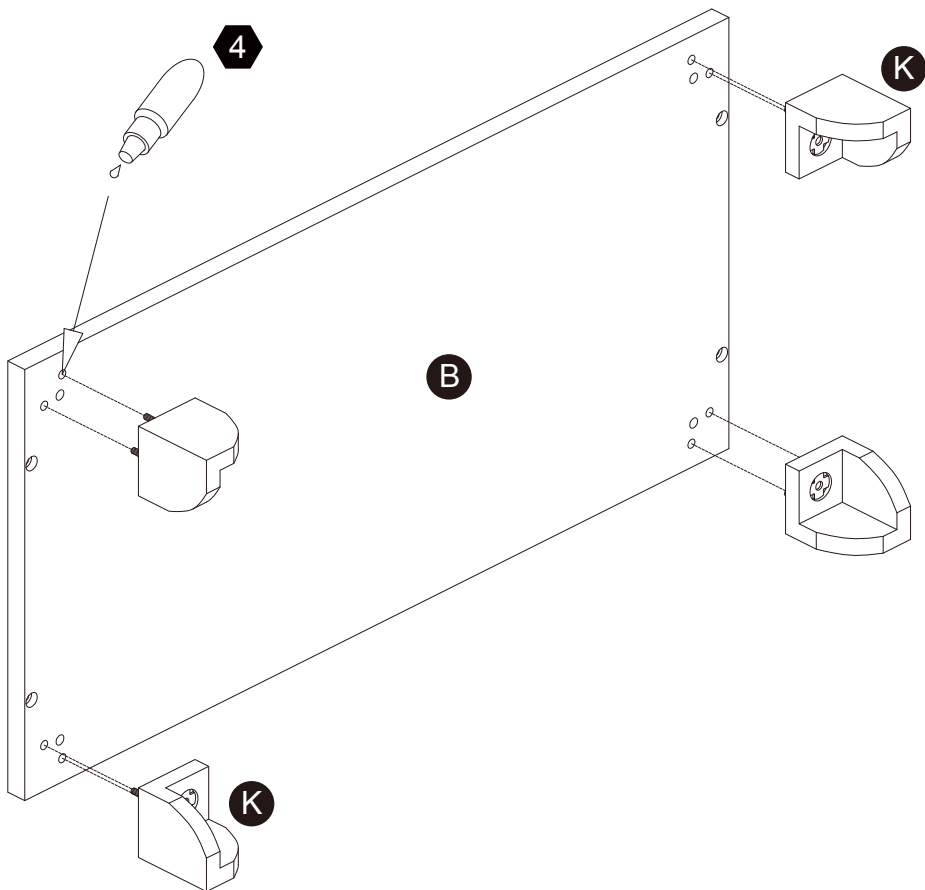
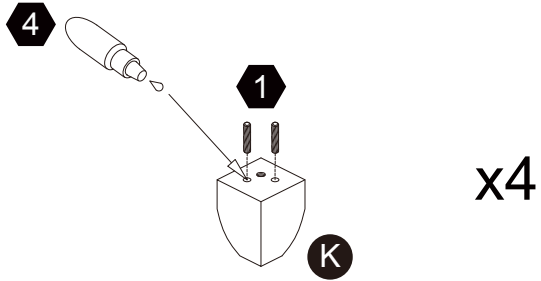
- 1**  $\text{\O}6*30\text{mm}$ 2 pcs **2**  2 pcs **3**  $\text{\O}15*9$ 2 pcs **4**  1 pc



Scan for assembly instructions.


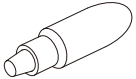

Step 3

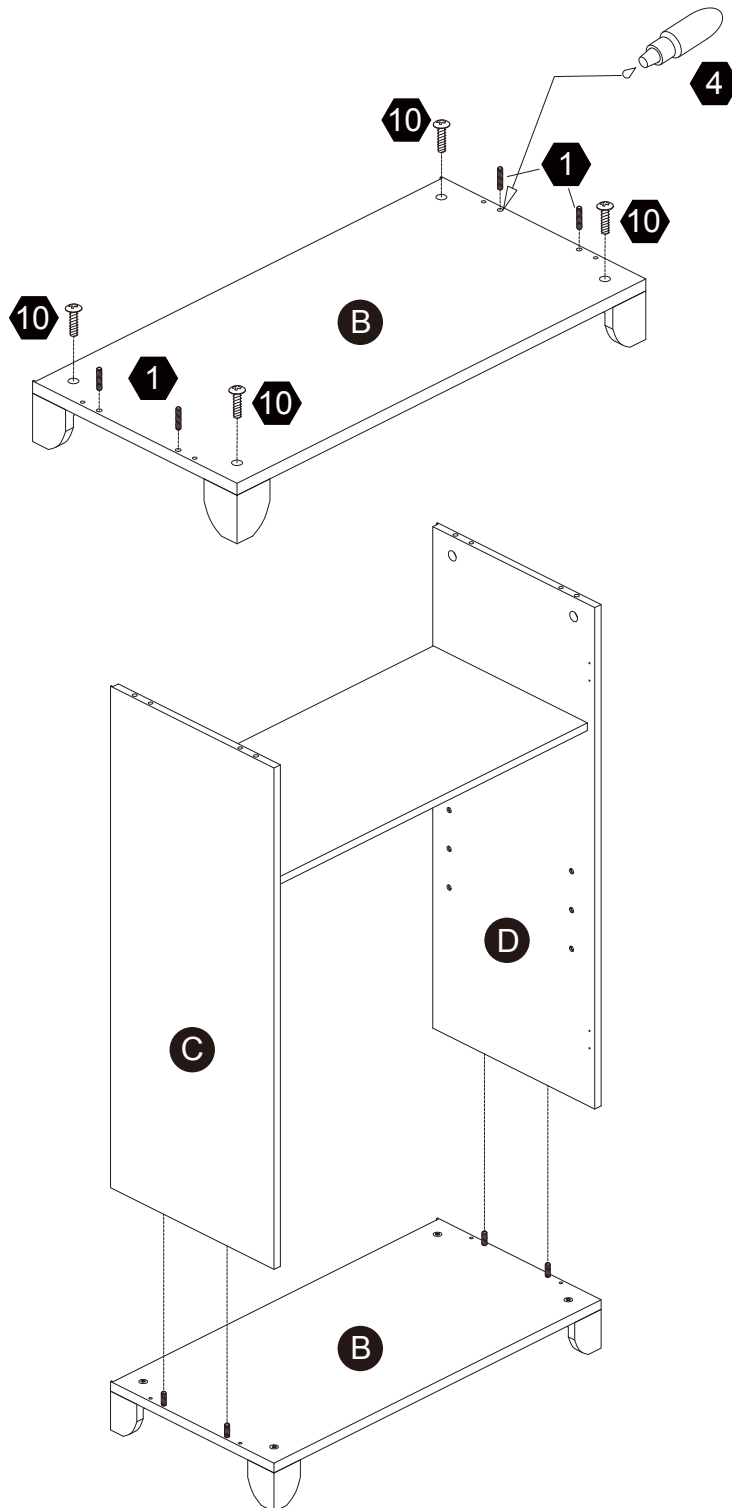
- 1**  $\varnothing 6 \times 30 \text{mm}$ **8 pcs** **4**  **1 pc**



Scan for assembly instructions.

Step 4

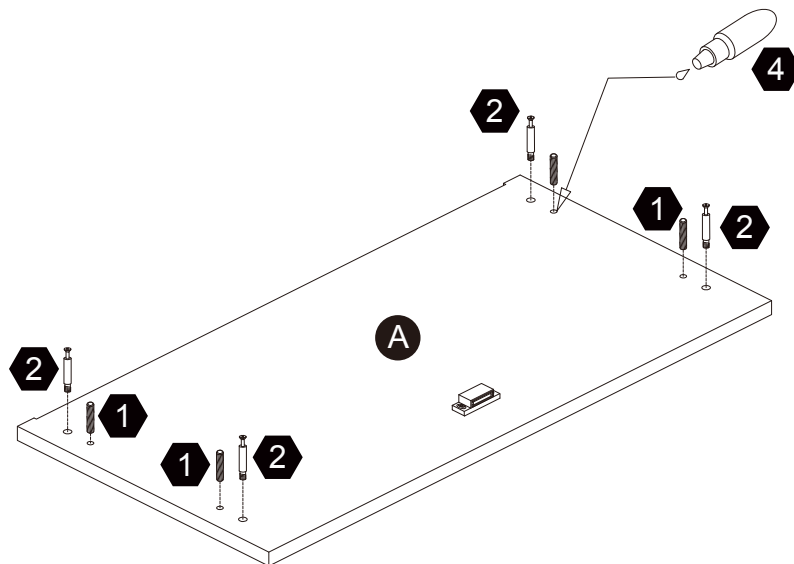
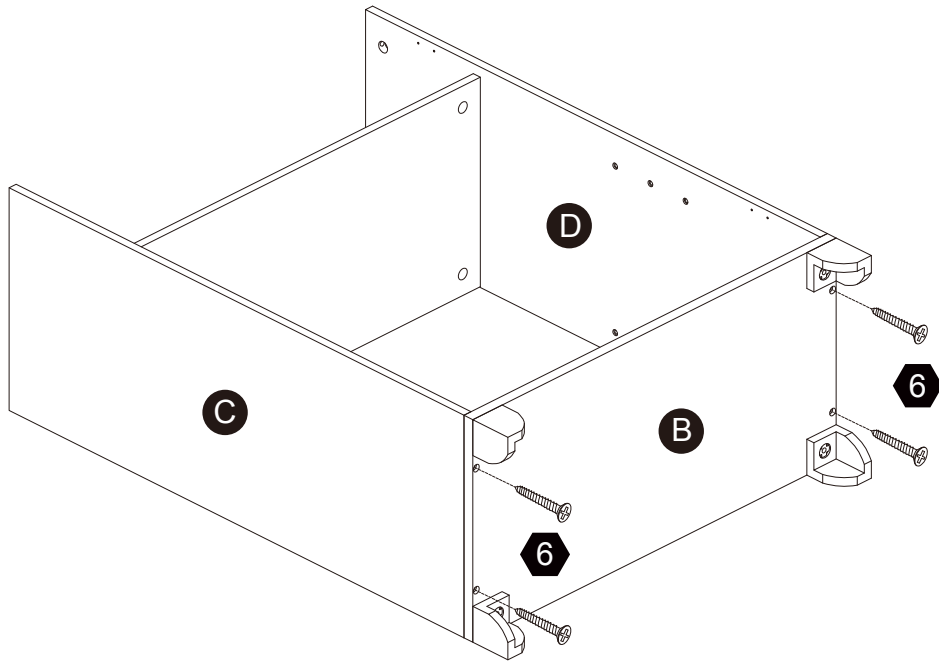
- 1**  $\varnothing 6 \times 30 \text{mm}$ 4 pcs **4**  1 pc **10**  $\varnothing 1/4'' \times 1''$ 4 pcs



Scan for assembly instructions.

Step 5

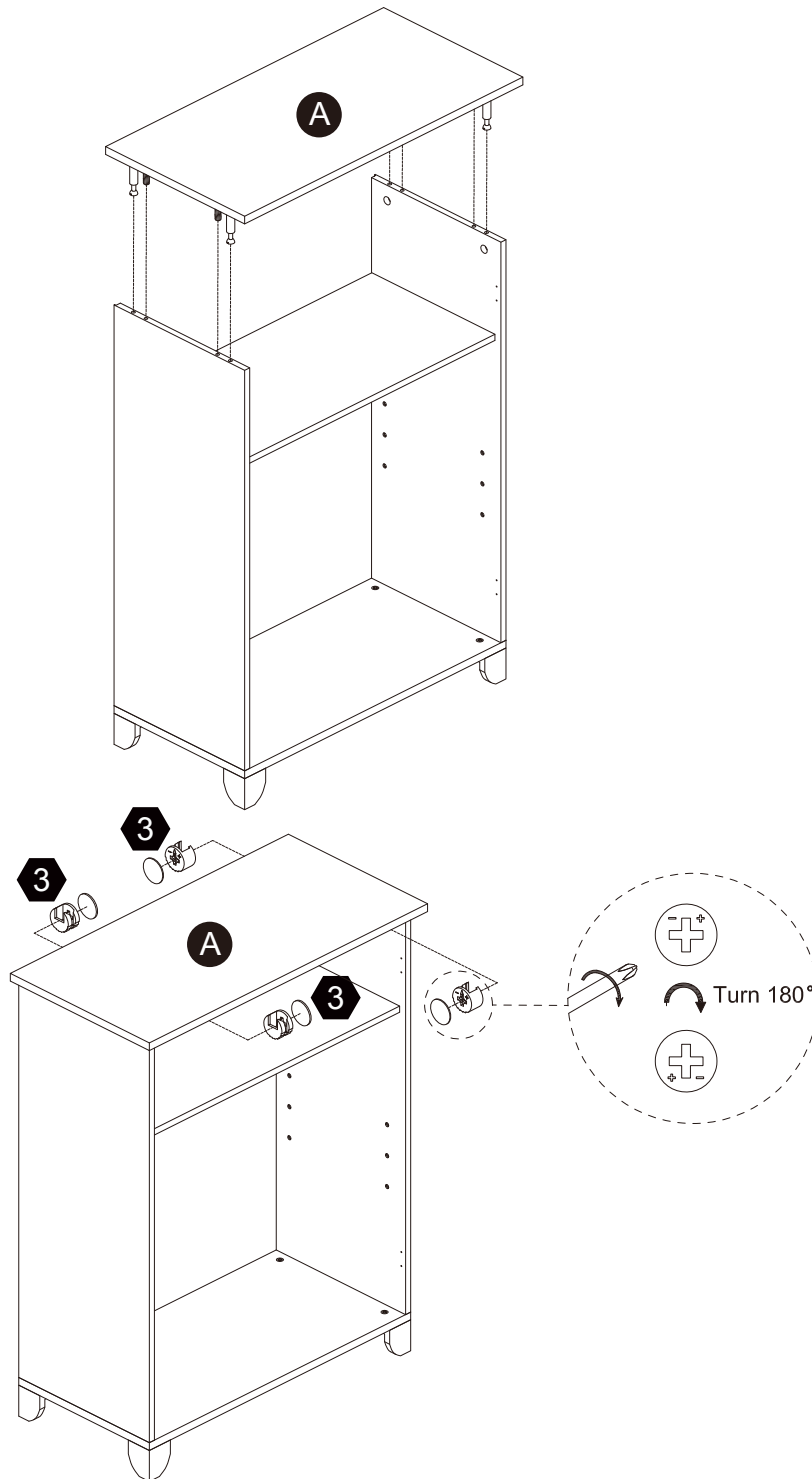
- 1**  $\text{Ø}6 \times 30\text{mm}$ 4 pcs **2**  4 pcs **4**  1 pc **6**  $\text{Ø}4 \times 38\text{mm}$ 4 pcs



Scan for assembly instructions.


Step 6

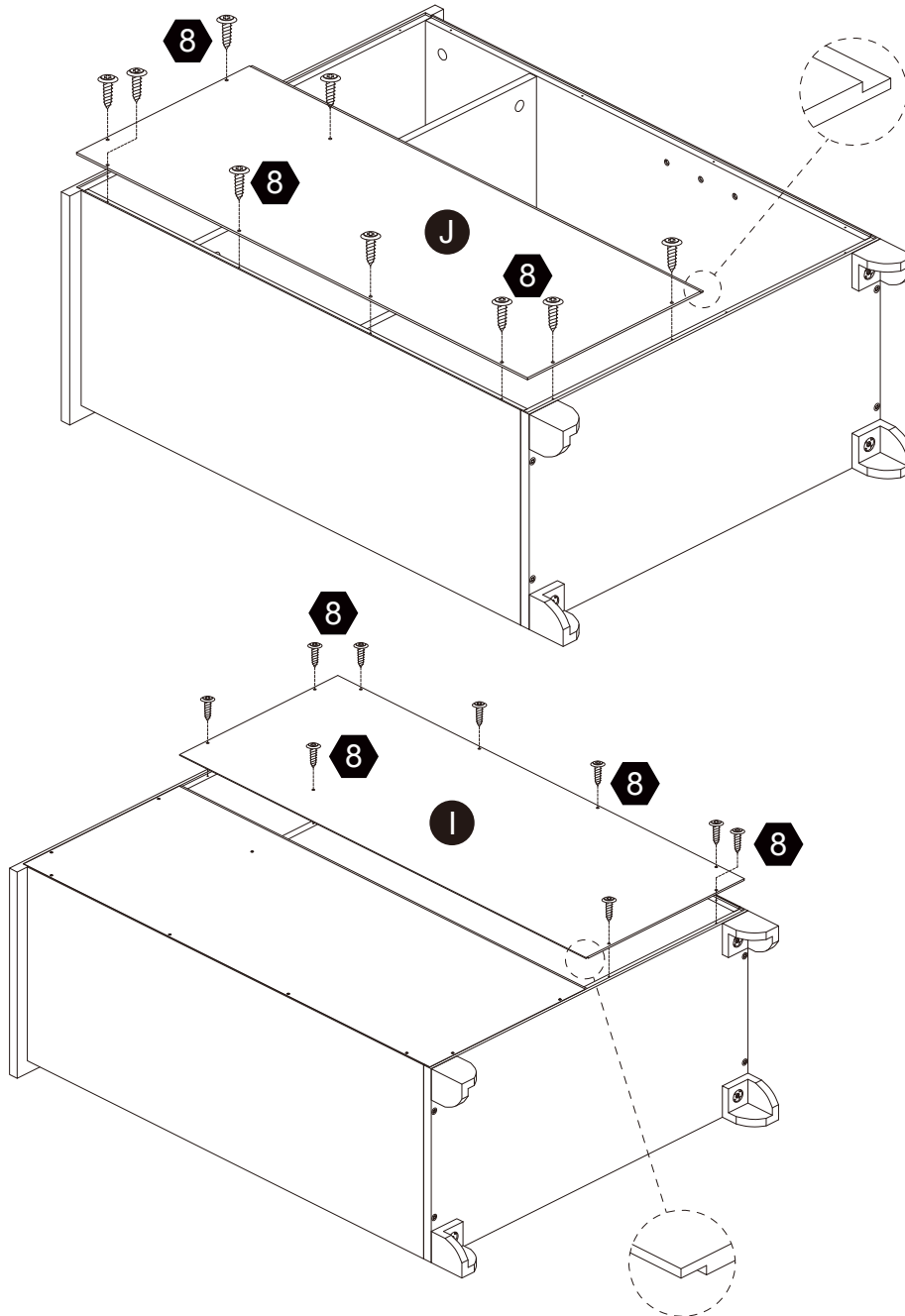
3  $\varnothing 15 \times 9$ 4 pcs



Scan for assembly instructions.

Step 7

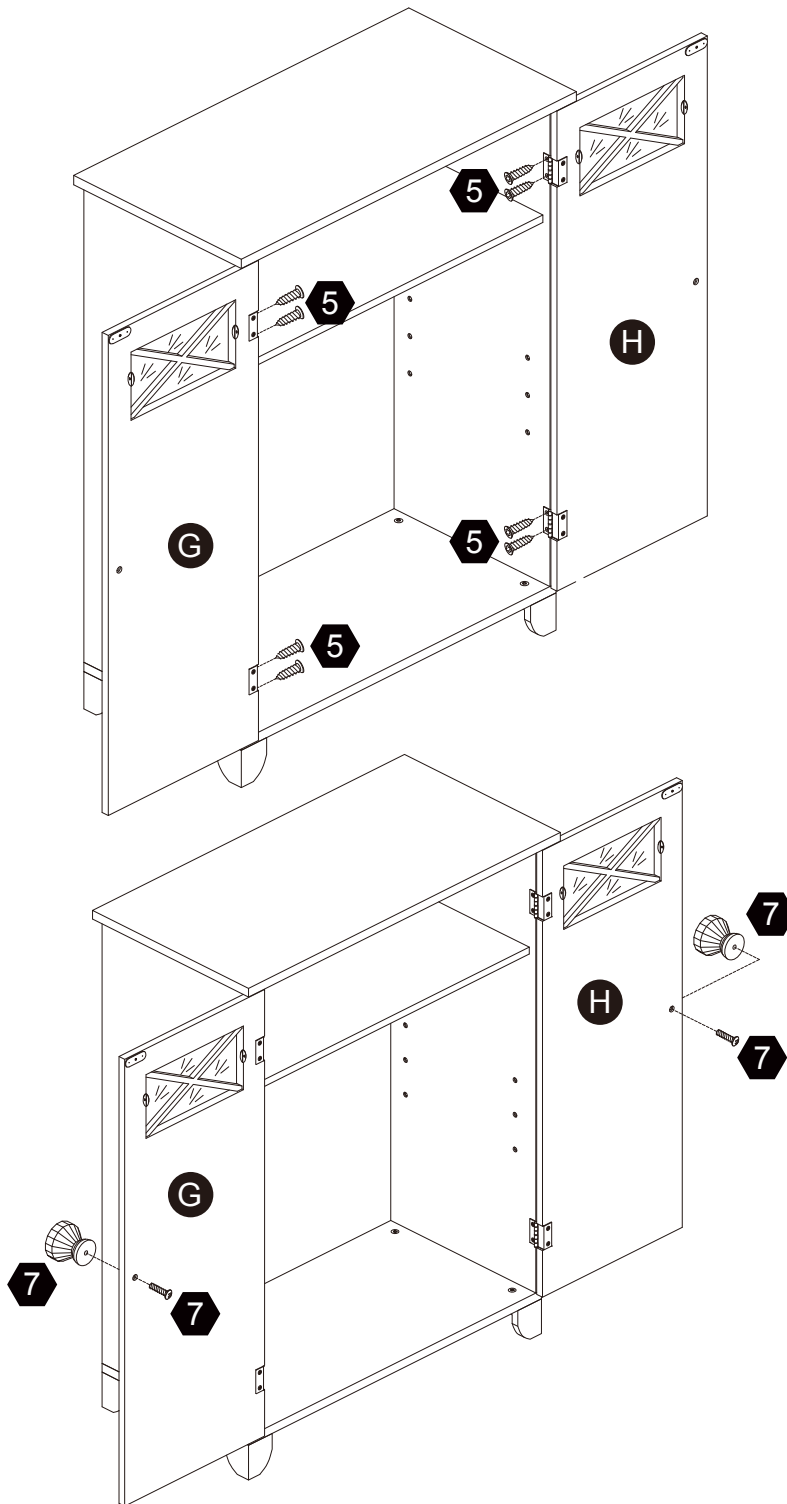
8  18 pcs
Ø3*12 D=7



Scan for assembly instructions.

Step 8

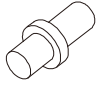
5  Ø3*12mm 8 pcs **7**  2 sets



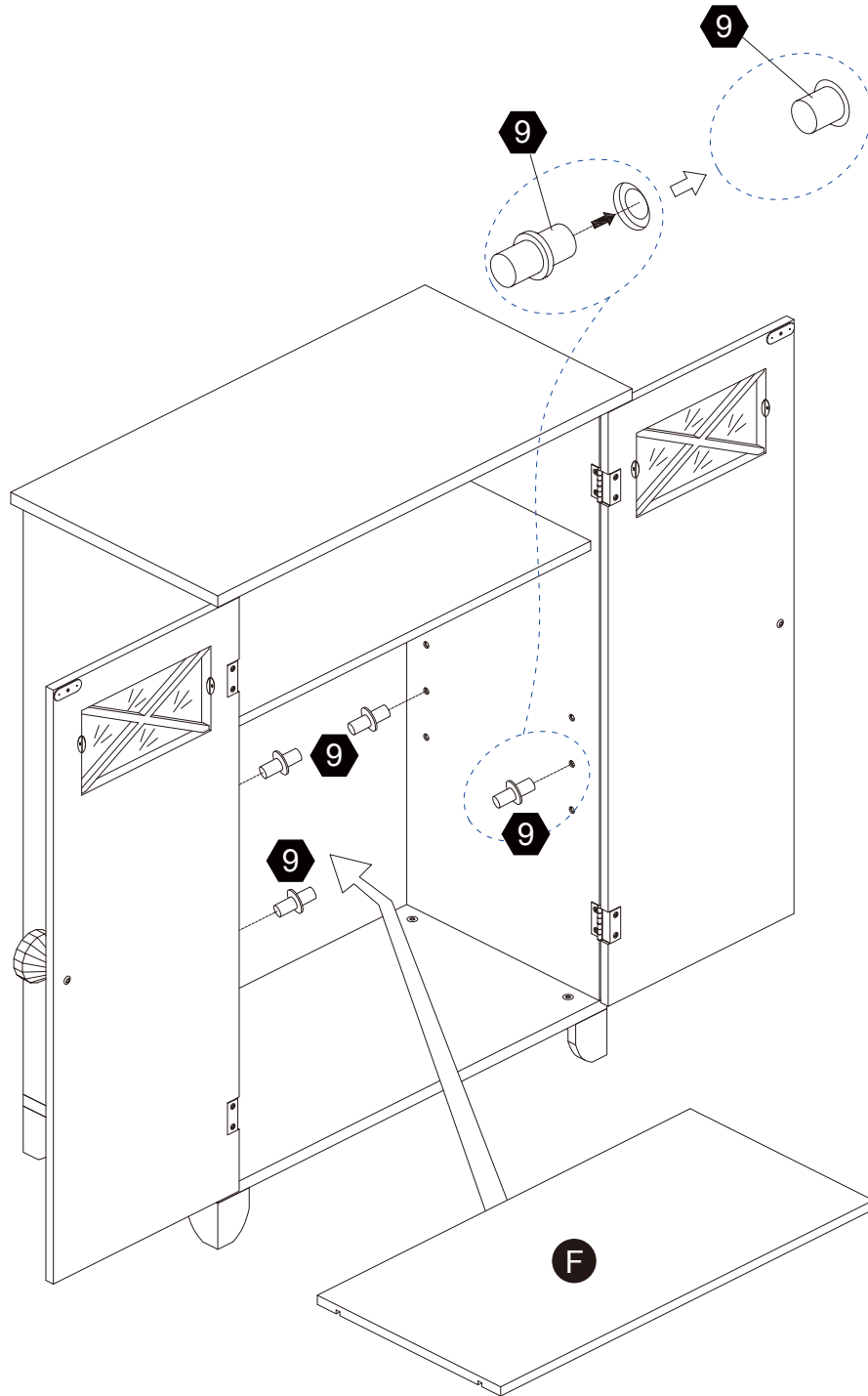
Scan for assembly instructions.

Step 9

9



4 pcs



Scan for assembly instructions.