

# BRIZO®

## SQUARE RAINCAN SHOWER HEAD

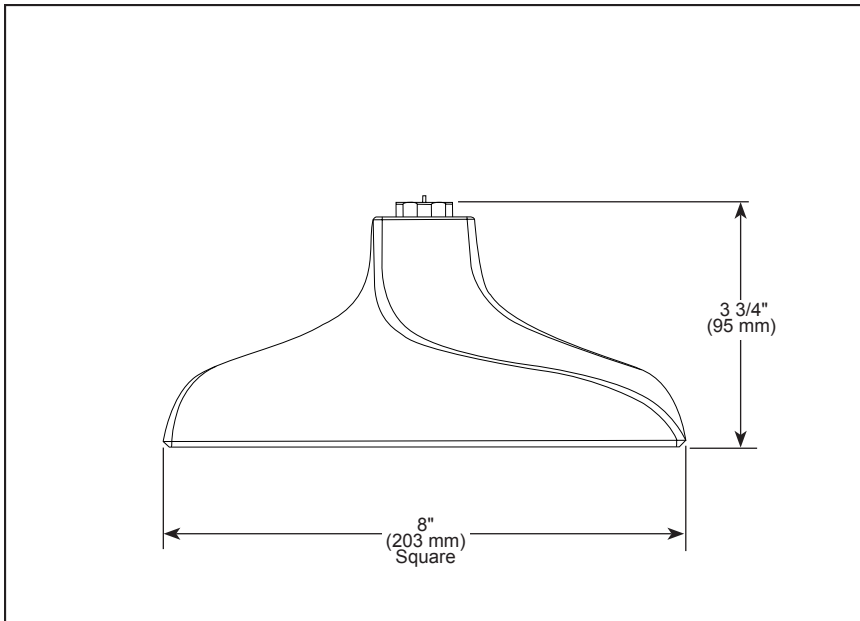
■ Virage® Bath Collection

### FEATURES:

- H<sub>2</sub>O Kinetic Technology®

### STANDARD SPECIFICATIONS:

- Max. flow rate 1.75 gpm @ 80 psi, 6.6 L/min @ 550 kPa (81330-▲)
- Max. flow rate 2.5 gpm @ 80 psi, 9.5 L/min @ 550 kPa (81330-▲-2.5)
- Single function shower head
- Finished sprayface matches shell finish
- Shower head is intended for overhead raincan orientation only. Ball connector rotates but does not pivot.
- Standard 1/2" pipe fitting connection



### WARRANTY

- Parts and Finish - Lifetime limited warranty; or for commercial purchasers, 10 years for multi-family residential (apartments and condominiums) and 5 years for all other commercial uses, in each case from the date the product is received by the original purchaser or their authorize representative (installation contractor, etc.).
- Please go to [www.brizo.com](http://www.brizo.com) for the complete details of our limited warranty.

▲ Designate Proper Finish Suffix



### COMPLIES WITH:

- ASME A112.18.1 / CSA B125.1
- EPA WaterSense® - Applies to 81330-▲