



Grab bars for whirlpool baths with Spa/Massage  
package  
**K-9653**

**Features**

- Set of two grab bars
- For use with K-1418 and K-856 whirlpools with Spa/Massage package
- Includes installation hardware

**Material**

- Premium metal construction for durability and reliability
- KOHLER finishes resist corrosion and tarnishing

**Codes/Standards**



ASTM F446

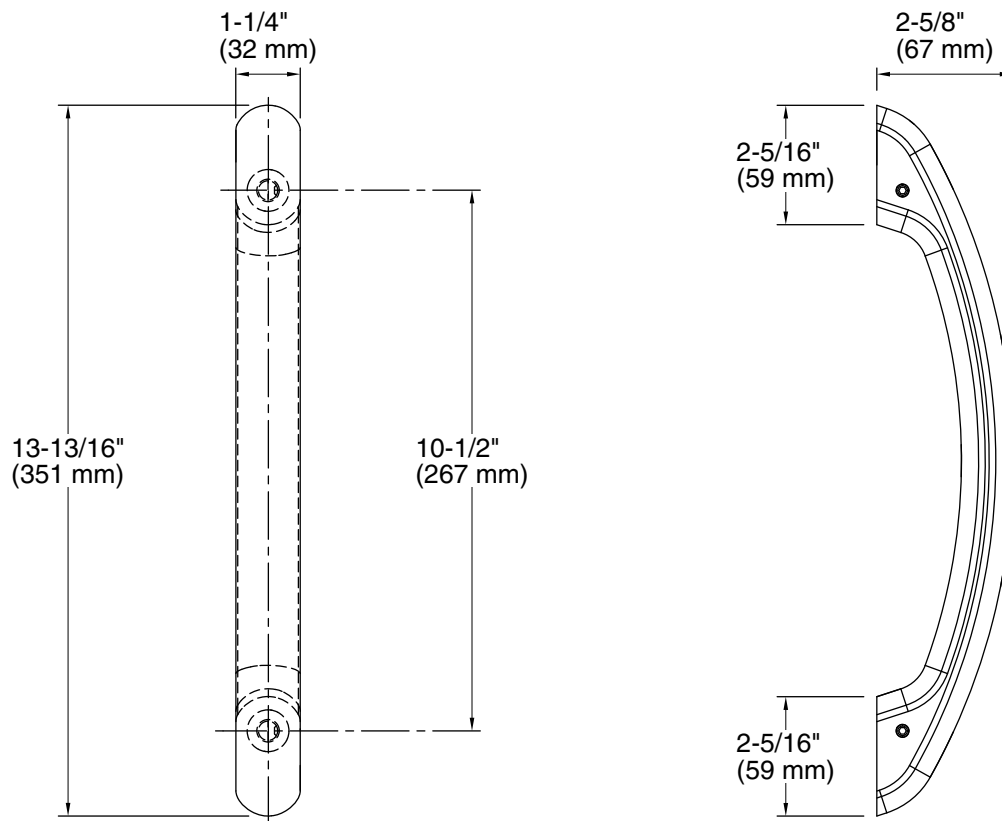
**KOHLER® One-Year Limited  
Warranty**

See website for detailed warranty information.

**Available Colors/Finishes**

*Color tiles intended for reference only.*

Color	Code	Description
	CP	Polished Chrome
	SN	Vibrant® Polished Nickel
	BN	Vibrant® Brushed Nickel
	BV	Vibrant® Brushed Bronze



## Technical Information

All product dimensions are nominal.

Material: Metal

## Notes

Install this product according to the installation instructions.