

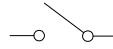
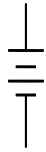



Drawing Guide

DRAWING GUIDE - Smart - UPS Li-Ion

Component /Detail	Description
Drawing Guide	Smart-UPS Li-ion, SMTL2200RM2UC, SMTL2200RM2UCNC, SMTL3000RM2UC, SMTL3000RM2UCNC, 120VAC UPS Drawing Guide
UPS Isometric View	Smart-UPS Li-ion, SMTL2200RM2UC, SMTL2200RM2UCNC, SMTL3000RM2UC, SMTL3000RM2UCNC, 120VAC UPS Isometric View
UPS General Arrangement	Smart-UPS Li-ion, SMTL2200RM2UC, SMTL2200RM2UCNC, SMTL3000RM2UC, SMTL3000RM2UCNC, 120VAC UPS General Arrangement
UPS Rear View	Smart-UPS Li-ion, SMTL2200RM2UC, SMTL2200RM2UCNC, SMTL3000RM2UC, SMTL3000RM2UCNC, 120VAC UPS Rear View
System One Line Diagram	Smart-UPS Li-ion, SMTL2200RM2UC, SMTL2200RM2UCNC, SMTL3000RM2UC, SMTL3000RM2UCNC, 120VAC UPS System One Line Diagram

LEGEND			
SYMBOL	DESCRIPTION	SYMBOL	DESCRIPTION
	CIRCUIT BREAKER		DC-AC CONVERTER (INVERTER)
	RELAY		BATTERY
	GND		

THIS DRAWING AND SPECIFICATIONS HEREIN ARE THE PROPERTY OF SCHNEIDER ELECTRIC AND SHALL NOT BE COPIED, REPRODUCED OR USED IN WHOLE OR IN PART, AS THE BASIS FOR THE MANUFACTURE OR SALE OF ITEMS WITHOUT WRITTEN PERMISSION FROM SCHNEIDER ELECTRIC. THIS DRAWING IS BASED UPON LATEST AVAILABLE INFORMATION AND IS SUBJECT TO CHANGE WITHOUT NOTICE.



TITLE:
Smart-UPS Li-ion,
SMTL2200RM2UC, SMTL2200RM2UCNC,
SMTL3000RM2UC, SMTL3000RM2UCNC,
120VAC UPS Drawing Guide

PROJECT: DRAWINGS SHEET 1 OF 5

DWG NO: Smart-UPS Li-ion

DRAWN BY: E.WU 20210720 ANGLE

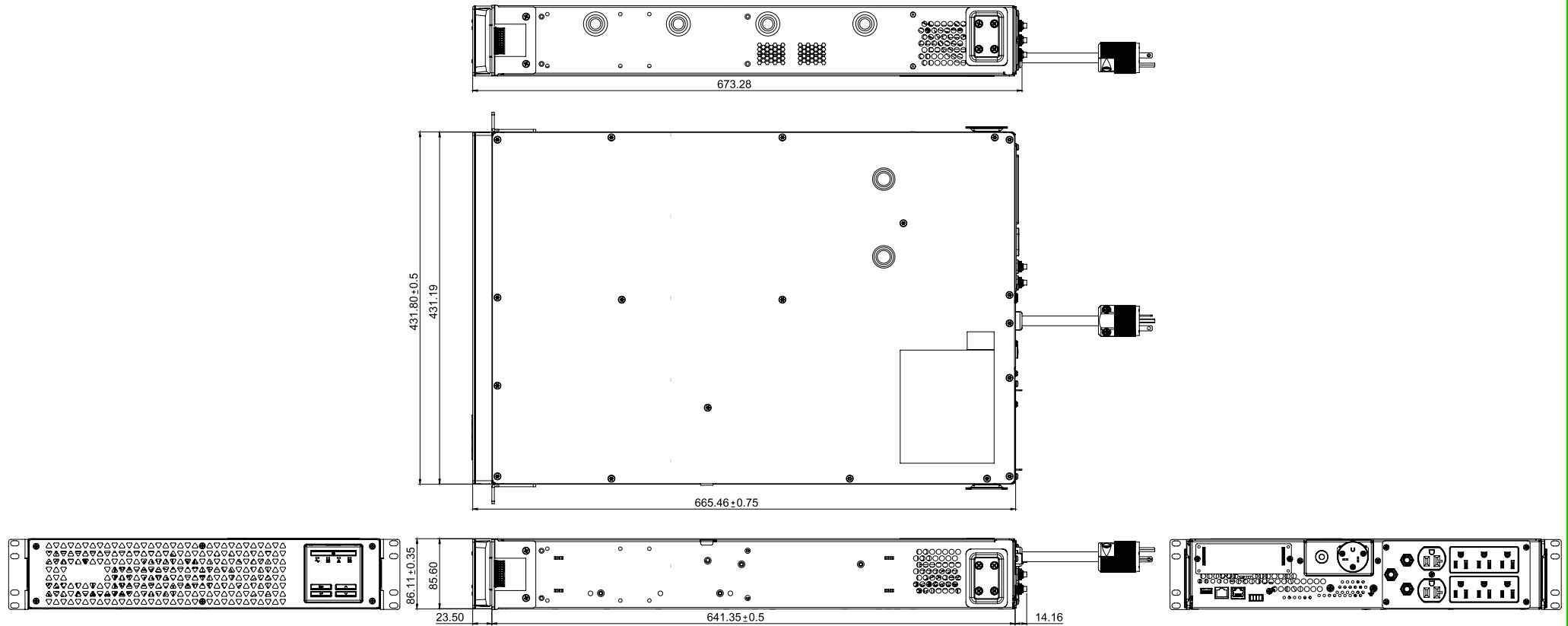
ENGINEER: E.WU 20210720 PROJECTION

APPROVED BY: E.WU 20210720 N.A

REV. 0

UPS Isometric View

SMTL2200RM2UC, SMTL2200RM2UCNC



THIS DRAWING AND SPECIFICATIONS HEREIN ARE THE PROPERTY OF SCHNEIDER ELECTRIC AND SHALL NOT BE COPIED, REPRODUCED OR USED IN WHOLE OR IN PART, AS THE BASIS FOR THE MANUFACTURE OR SALE OF ITEMS WITHOUT WRITTEN PERMISSION FROM SCHNEIDER ELECTRIC. THIS DRAWING IS BASED UPON LATEST AVAILABLE INFORMATION AND IS SUBJECT TO CHANGE WITHOUT NOTICE.

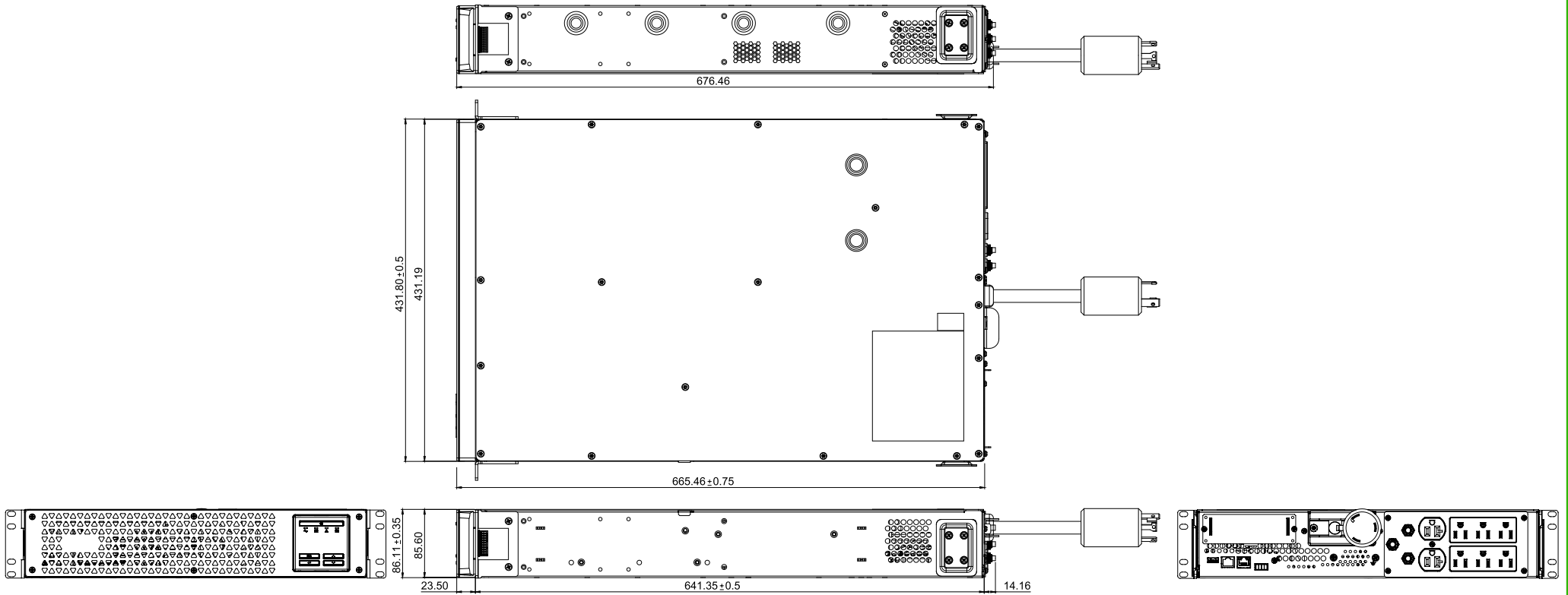


TITLE:
Smart-UPS Li-ion,
SMTL2200RM2UC, SMTL2200RM2UCNC,
SMTL3000RM2UC, SMTL3000RM2UCNC,
120VAC UPS Isometric View

DWG NO:	Smart-UPS Li-ion	REV:	0
DRAWN BY:	E.WU	20210720	THIRD
ENGINEER:	E.WU	20210720	ANGLE
APPROVED BY:	E.WU	20210720	PROJECTION

UPS Isometric View

SMTL3000RM2UC, SMTL3000RM2UCNC



THIS DRAWING AND SPECIFICATIONS HEREIN ARE THE PROPERTY OF SCHNEIDER ELECTRIC AND SHALL NOT BE COPIED, REPRODUCED OR USED IN WHOLE OR IN PART, AS THE BASIS FOR THE MANUFACTURE OR SALE OF ITEMS WITHOUT WRITTEN PERMISSION FROM SCHNEIDER ELECTRIC. THIS DRAWING IS BASED UPON LATEST AVAILABLE INFORMATION AND IS SUBJECT TO CHANGE WITHOUT NOTICE.



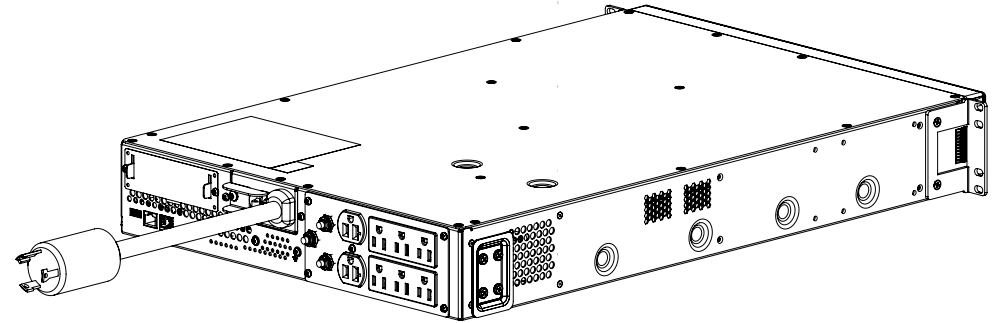
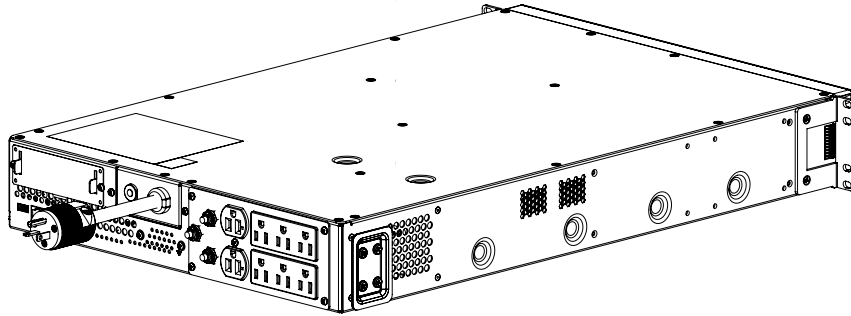
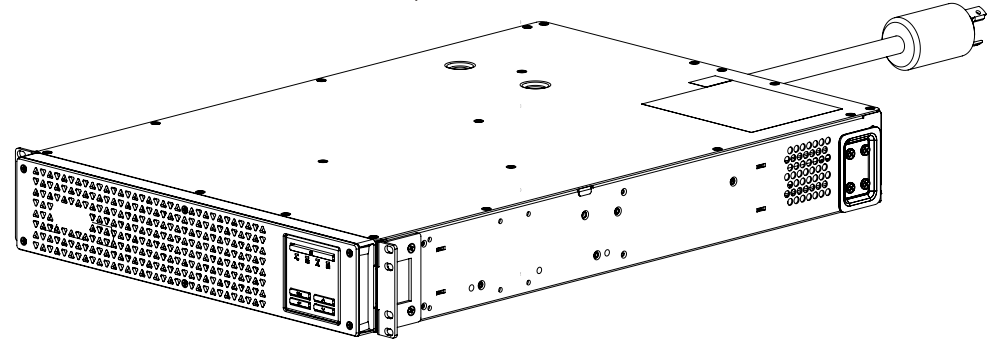
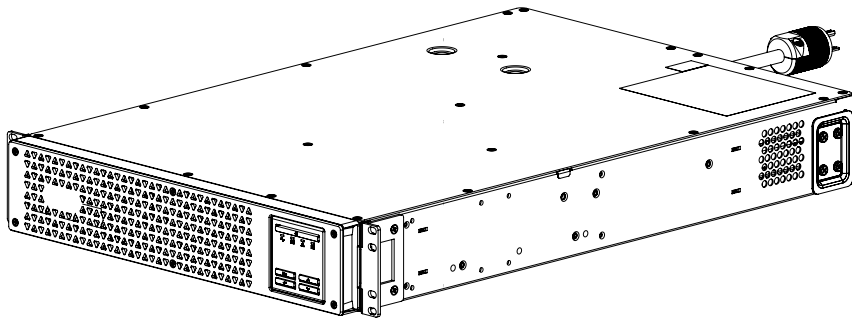
TITLE:
Smart-UPS Li-ion,
SMTL2200RM2UC, SMTL2200RM2UCNC,
SMTL3000RM2UC, SMTL3000RM2UCNC,
120VAC UPS Isometric View

DWG NO:	Smart-UPS Li-ion		REV. 0
DRAWN BY:	E.WU	20210720	THIRD
ENGINEER:	E.WU	20210720	ANGLE
APPROVED BY:	E.WU	20210720	PROJECTION

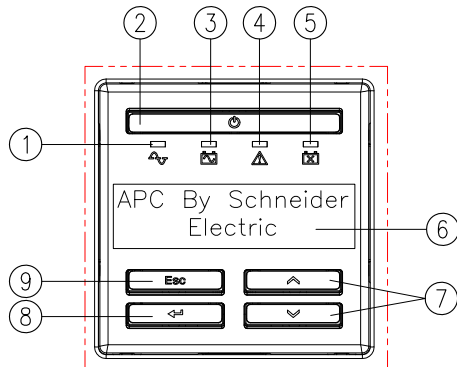
UPS General Arrangement

SMTL2200RM2UC, SMTL2200RM2UCNC

SMTL3000RM2UC, SMTL3000RM2UCNC



ENLARGED VIEW



1. Online Indicator LED.
2. Ups Output ON/OFF Button.
3. On Battery Indicator LED.
4. Error Detected LED
5. Replace Battery Indicator LED
6. Multi Lingual Display Screen
7. UP/DOWN Selection Arrows
8. ENTER Button
9. ESCAPE Button

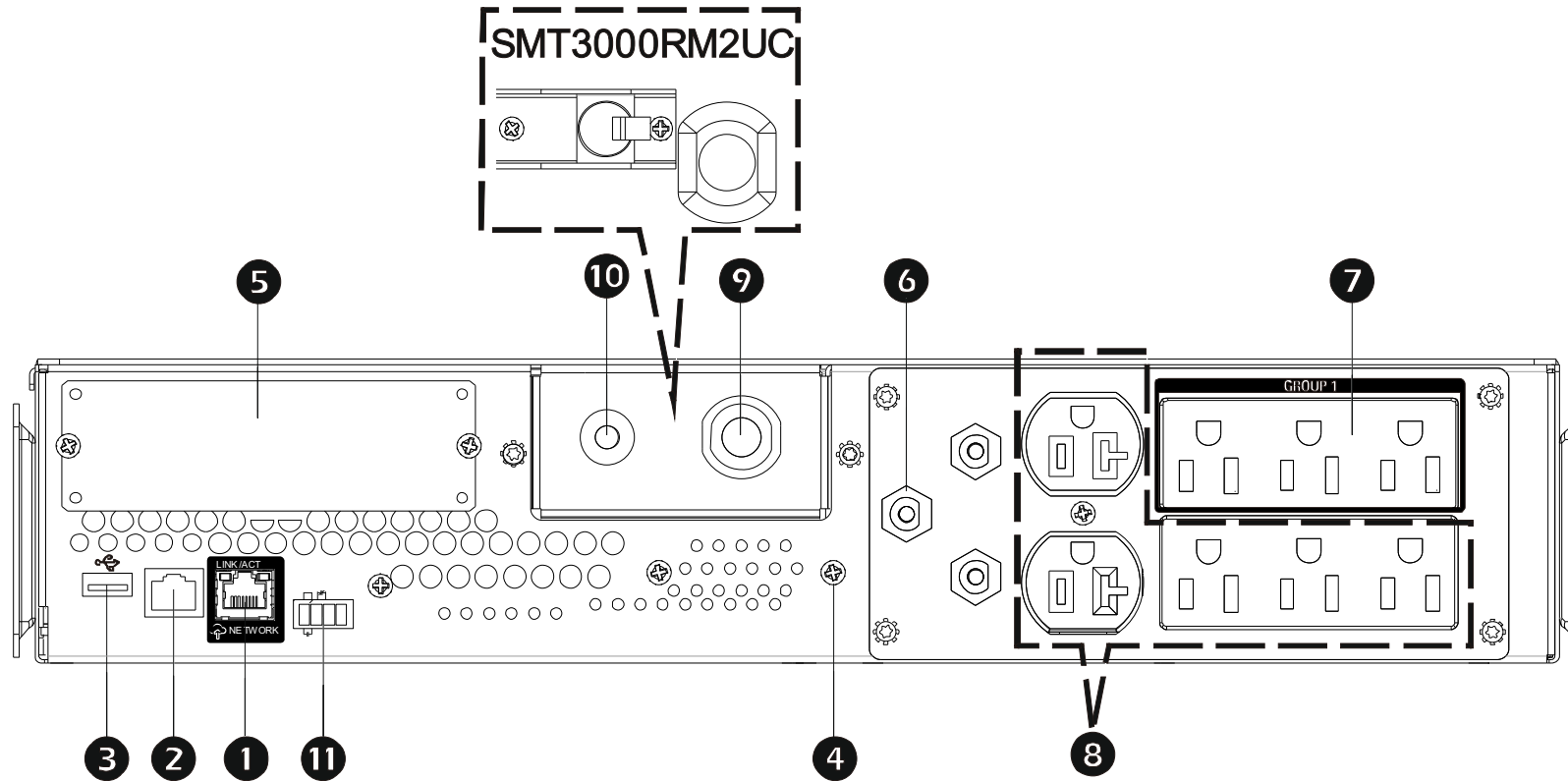
THIS DRAWING AND SPECIFICATIONS HEREIN ARE THE PROPERTY OF SCHNEIDER ELECTRIC AND SHALL NOT BE COPIED, REPRODUCED OR USED IN WHOLE OR IN PART, AS THE BASIS FOR THE MANUFACTURE OR SALE OF ITEMS WITHOUT WRITTEN PERMISSION FROM SCHNEIDER ELECTRIC. THIS DRAWING IS BASED UPON LATEST AVAILABLE INFORMATION AND IS SUBJECT TO CHANGE WITHOUT NOTICE.



TITLE:
Smart-UPS Li-ion,
SMTL2200RM2UC, SMTL2200RM2UCNC,
SMTL3000RM2UC, SMTL3000RM2UCNC,
120VAC UPS General Arrangement

DWG NO:	Smart-UPS Li-ion	REV. 0
DRAWN BY:	E.WU 20210720	THIRD
ENGINEER:	E.WU 20210720	ANGLE
APPROVED BY:	E.WU 20210720	PROJECTION

UPS Rear View



1	APC™ SmartConnect port	7	Controlled outlet group
2	Serial port	8	Outlets
3	USB port	9	UPS input
4	Chassis ground connection screw	10	Input circuit breaker
5	Smart Slot	11	EPO connector
6	Output circuit breaker/overload protection		

THIS DRAWING AND SPECIFICATIONS HEREIN ARE THE PROPERTY OF SCHNEIDER ELECTRIC AND SHALL NOT BE COPIED, REPRODUCED OR USED IN WHOLE OR IN PART, AS THE BASIS FOR THE MANUFACTURE OR SALE OF ITEMS WITHOUT WRITTEN PERMISSION FROM SCHNEIDER ELECTRIC. THIS DRAWING IS BASED UPON LATEST AVAILABLE INFORMATION AND IS SUBJECT TO CHANGE WITHOUT NOTICE.

Schneider Electric

TITLE:
Smart-UPS Li-ion,
SMTL2200RM2UC, SMTL2200RM2UCNC,
SMTL3000RM2UC, SMTL3000RM2UCNC,
120VAC UPS Rear View

DWG NO: Smart-UPS Li-ion

REV. 0

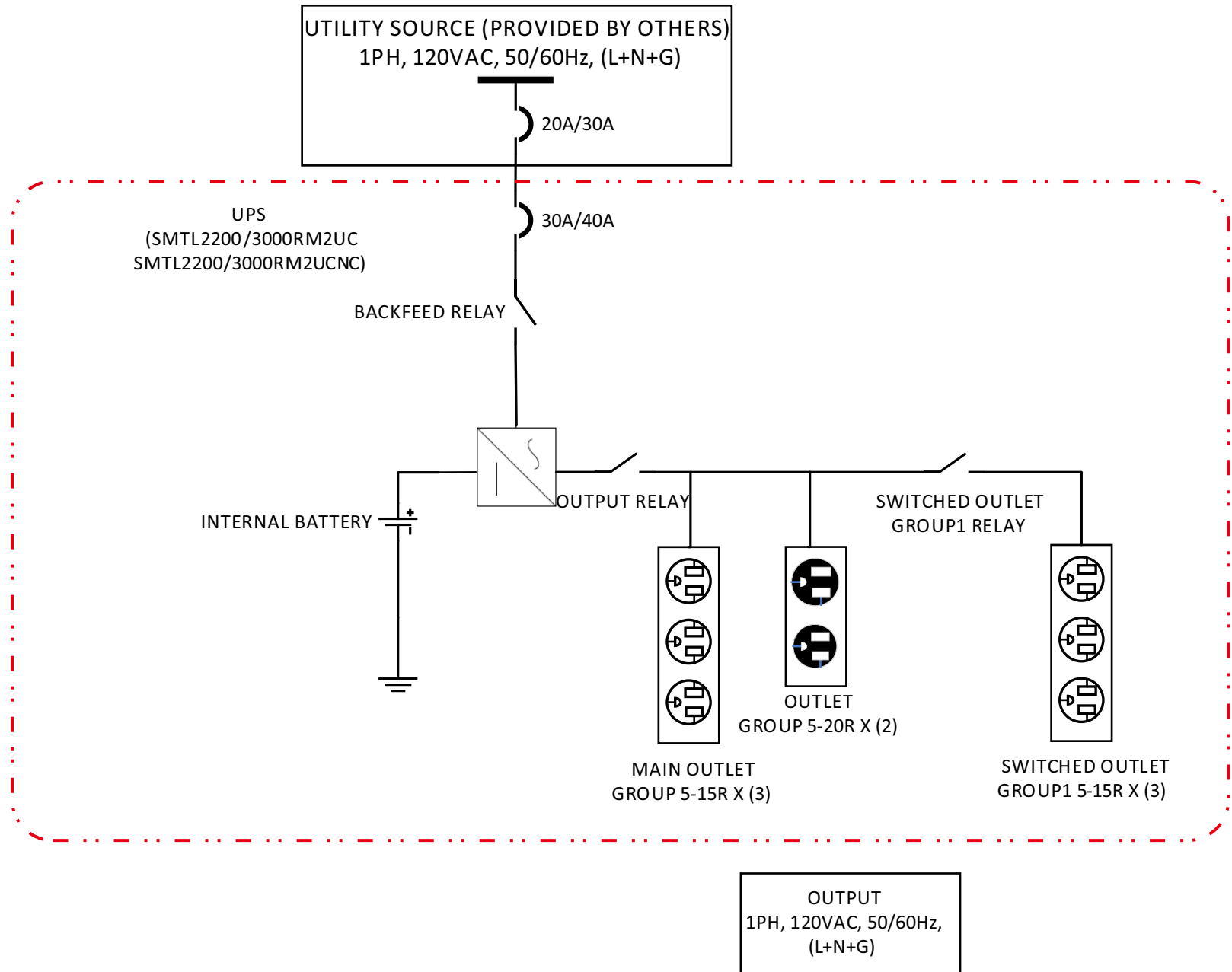
DRAWN BY: E.WU 20210720 THIRD ANGLE PROJECTION

ENGINEER: E.WU 20210720

PROJECT: DRAWINGS SHEET 4 OF 5

APPROVED BY: E.WU 20210720

System One Line Diagram



THIS DRAWING AND SPECIFICATIONS HEREIN ARE THE PROPERTY OF SCHNEIDER ELECTRIC AND SHALL NOT BE COPIED, REPRODUCED OR USED IN WHOLE OR IN PART, AS THE BASIS FOR THE MANUFACTURE OR SALE OF ITEMS WITHOUT WRITTEN PERMISSION FROM SCHNEIDER ELECTRIC. THIS DRAWING IS BASED UPON LATEST AVAILABLE INFORMATION AND IS SUBJECT TO CHANGE WITHOUT NOTICE.



TITLE:
Smart-UPS Li-ion,
SMTL2200RM2UC, SMTL2200RM2UCNC,
SMTL3000RM2UC, SMTL3000RM2UCNC,
120VAC UPS System One Line Diagram

PROJECT: DRAWINGS SHEET 5 OF 5

DWG NO:	Smart-UPS Li-ion		REV. 0
DRAWN BY:	E.WU	20210720	ANGLE
ENGINEER:	E.WU	20210720	PROJECTION
APPROVED BY:	E.WU	20210720	N.A