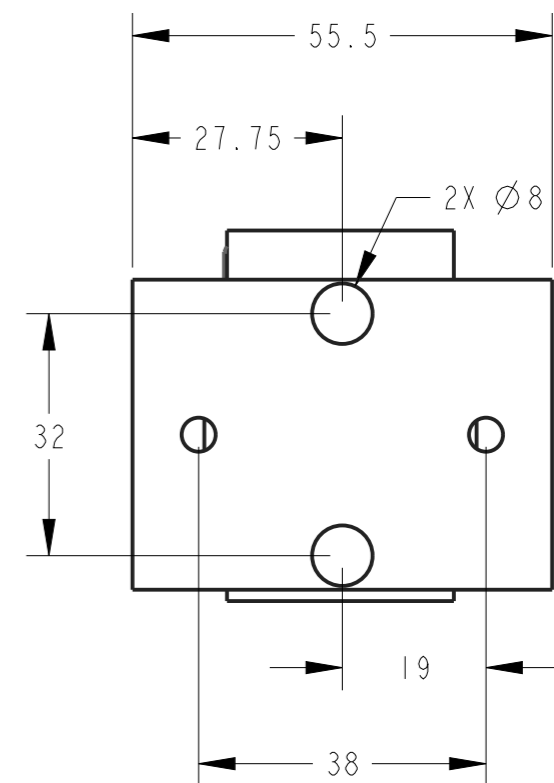
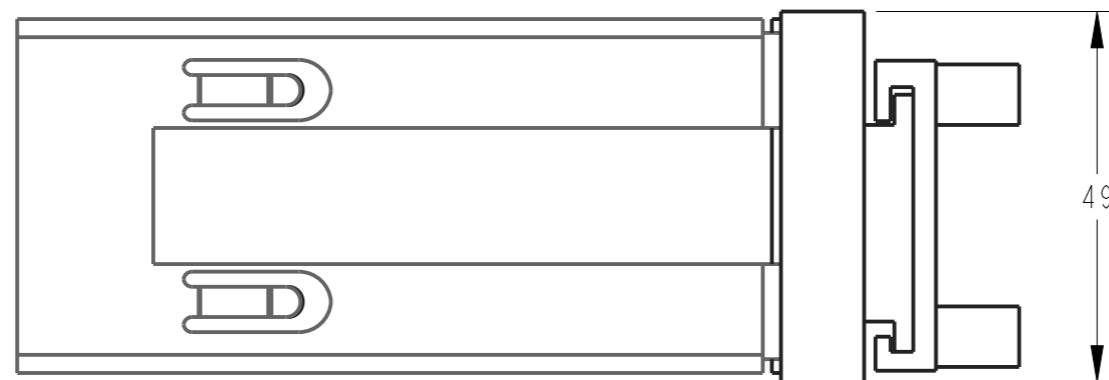
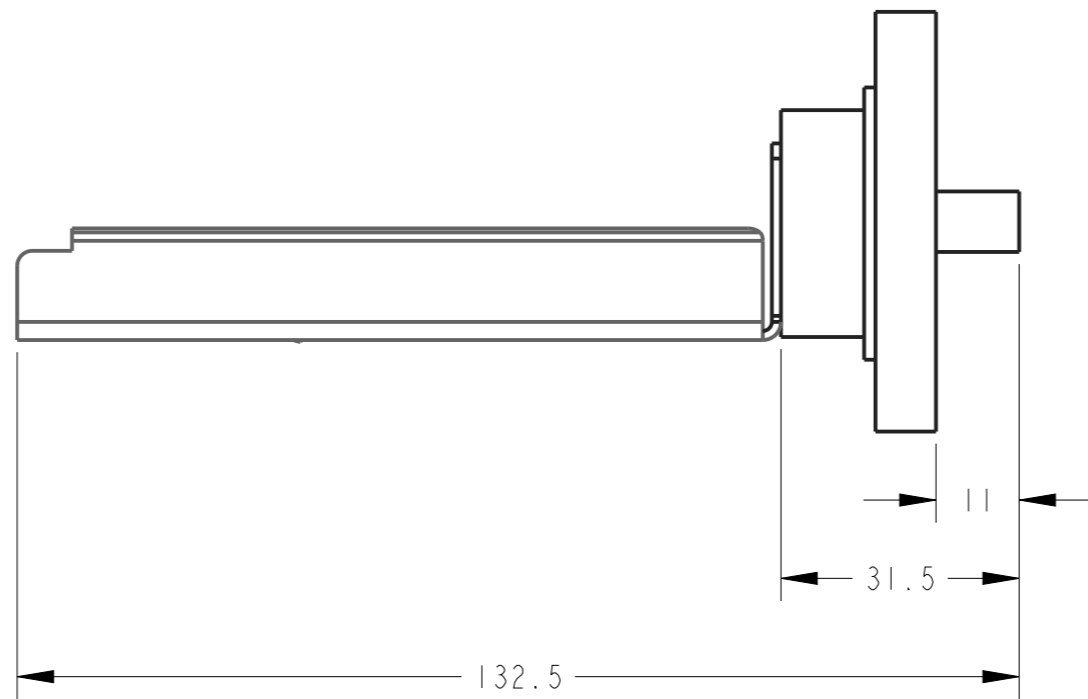
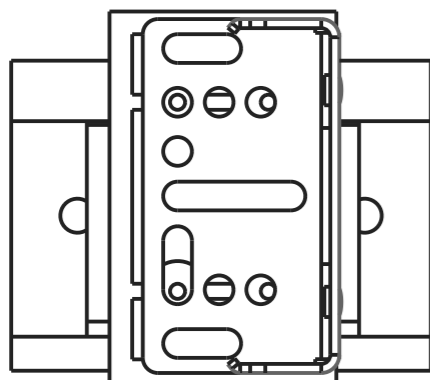


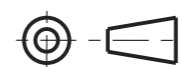
8 7 6 5 4 3 2 1

F
E
D
C
B
A

F
E
D
C
B
A



THIRD ANGLE PROJECTION



hardware resources

MATERIAL

FINISH

N/A

N/A

DESCRIPTION

303FUSFT7-R

DRAWN BY
E.GOLESTANYAN

DATE
25MAR2021

DESIGNED BY

DATE

DRAWING

REV

303FUSFT7-R

A

APPROVED BY
DENNIS MCGREGOR

DATE
25MAR2021

SIZE
A3

SCALE
1.000

SHEET
1 / 1

DOCUMENT STATUS Released

HARDWARE RESOURCES RESERVES THE RIGHT TO CHANGE SPECIFICATIONS WITHOUT NOTICE. IN CASE OF A DISCREPANCY, ACTUAL PART GEOMETRY SUPERSEDES THIS DOCUMENT.

THE INFORMATION CONTAINED WITHIN THIS DRAWING IS THE SOLE PROPERTY OF HARDWARE RESOURCES INC. ANY REPRODUCTION IN PART OR WHOLE WITHOUT WRITTEN PERMISSION OF HARDWARE RESOURCES INC. IS PROHIBITED.

8 7 6 5 4 3 2 1