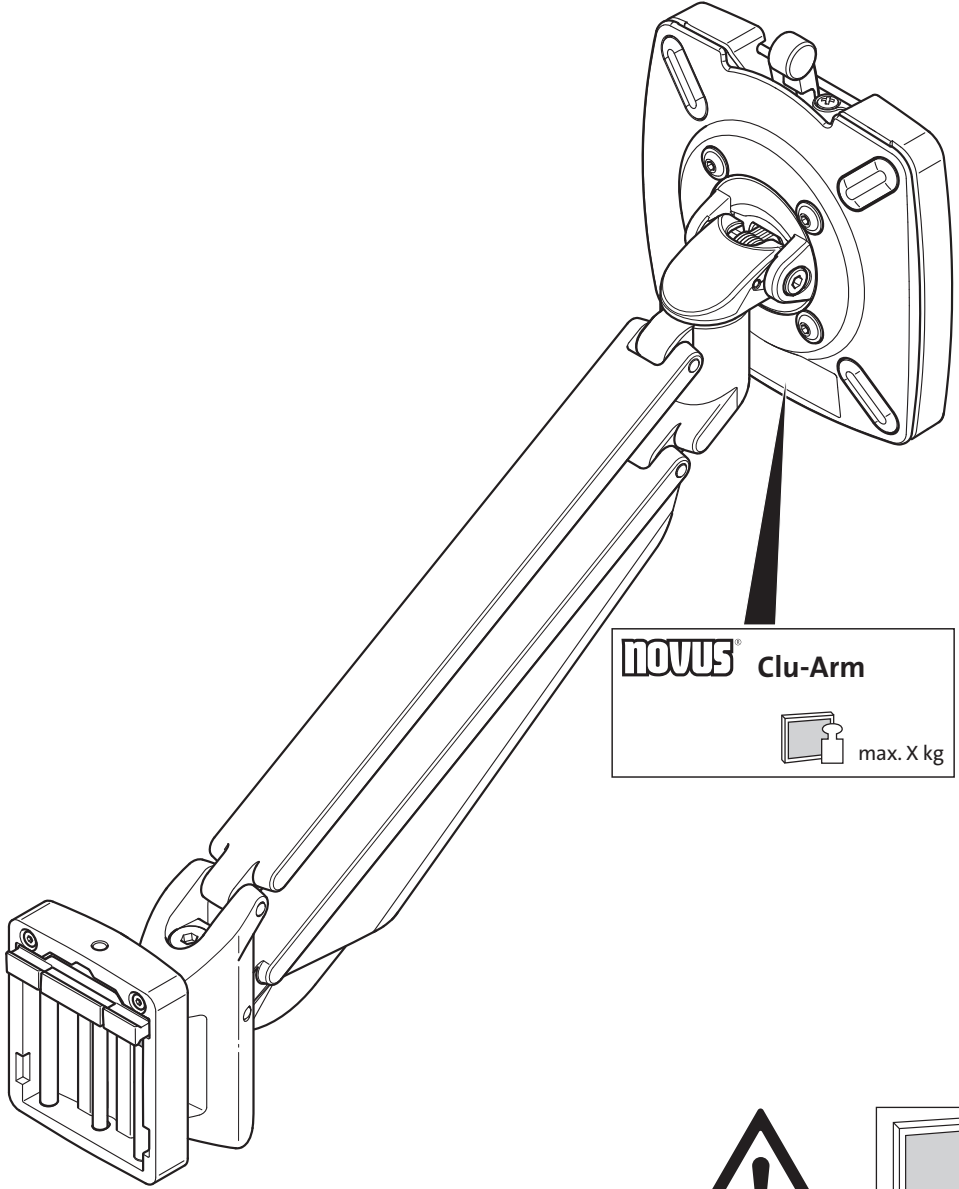



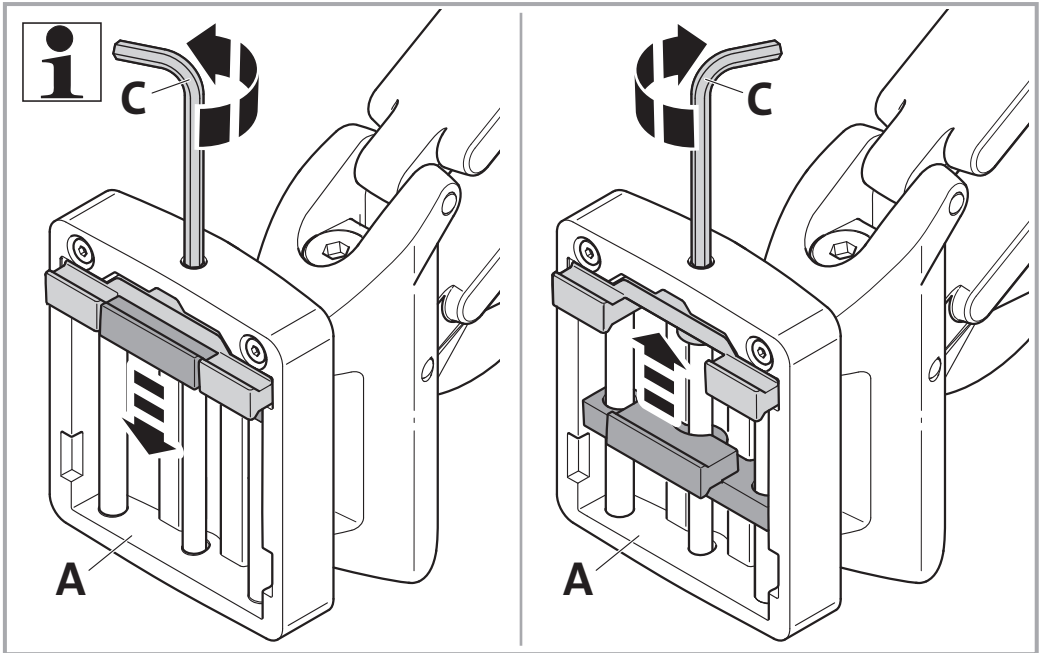
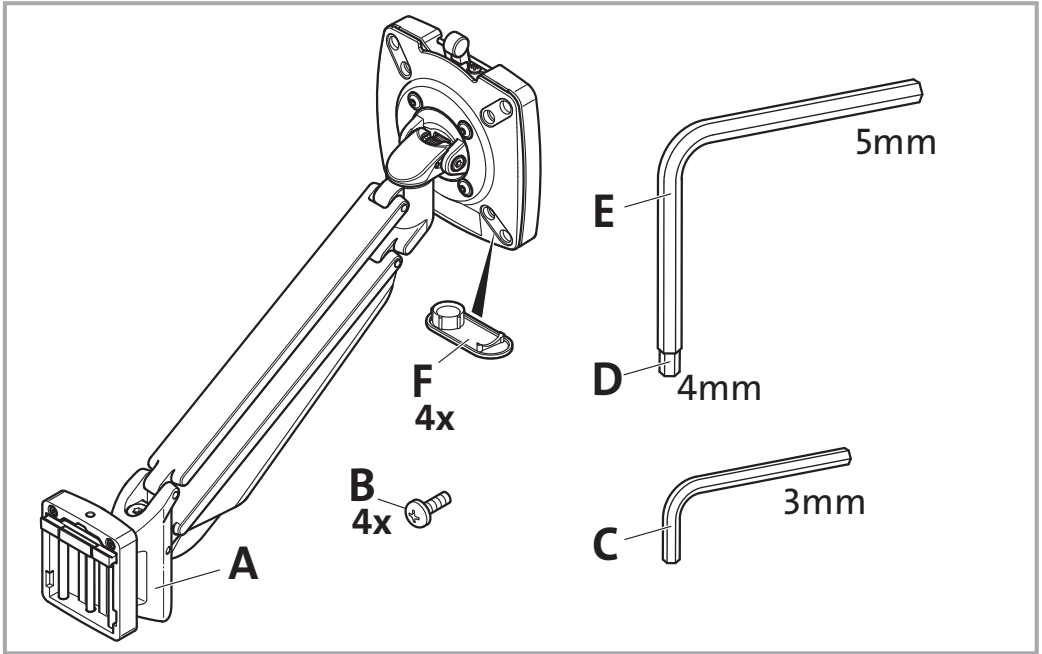


NOVUS[®] Clu-Arm



NOVUS[®] Clu-Arm
 max. X kg

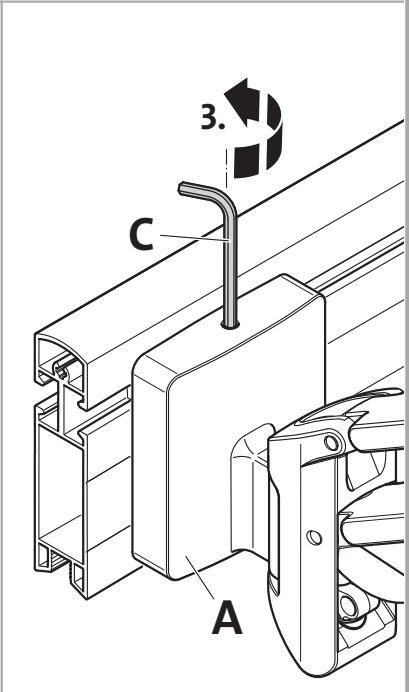
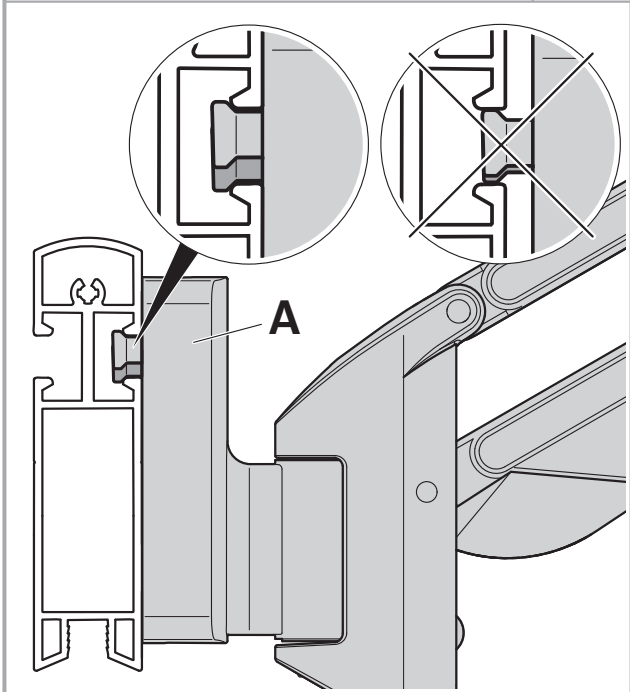
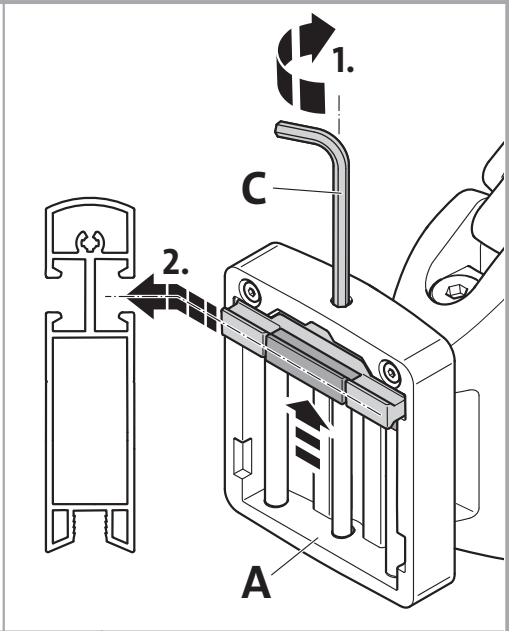
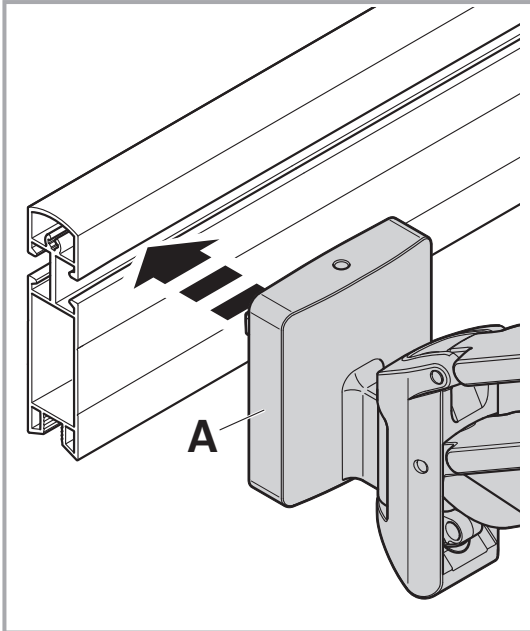




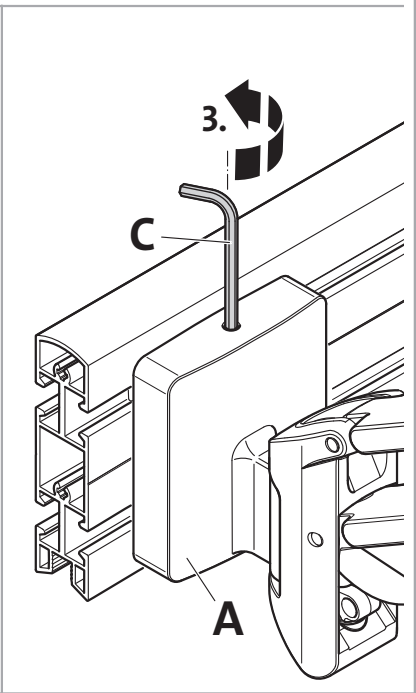
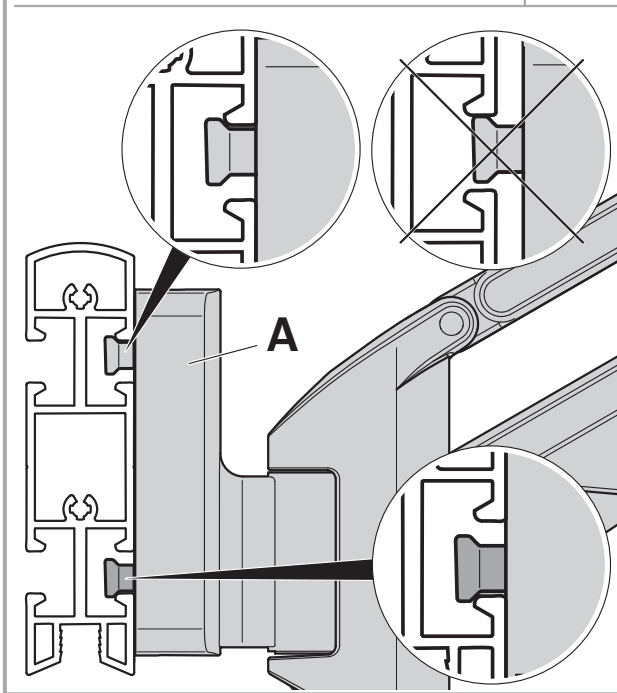
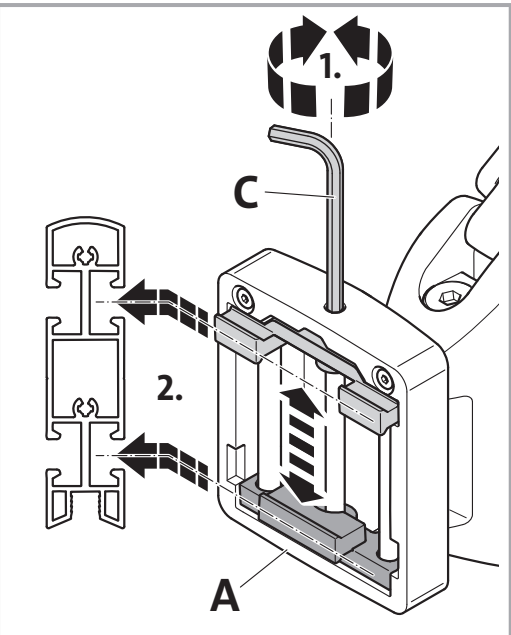
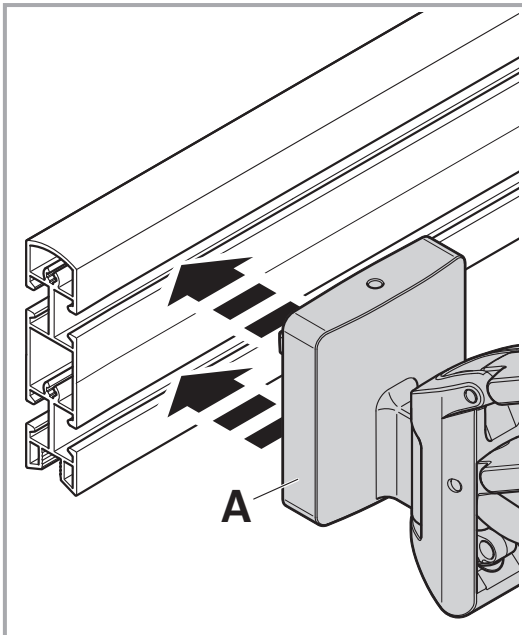
1.



NOVUS® Clu-Arm



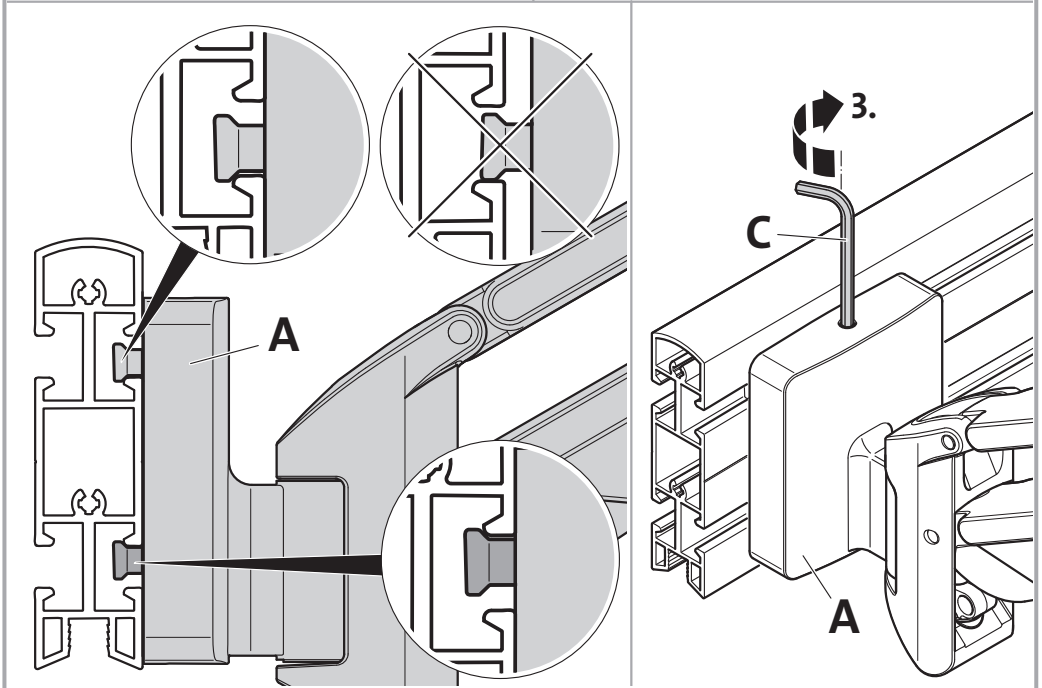
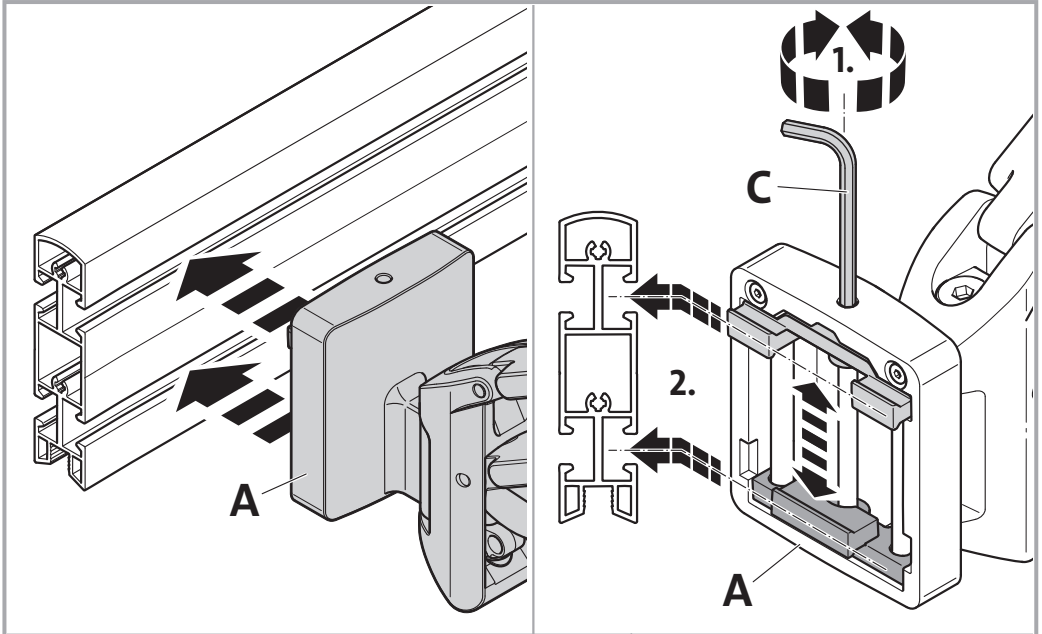
2.



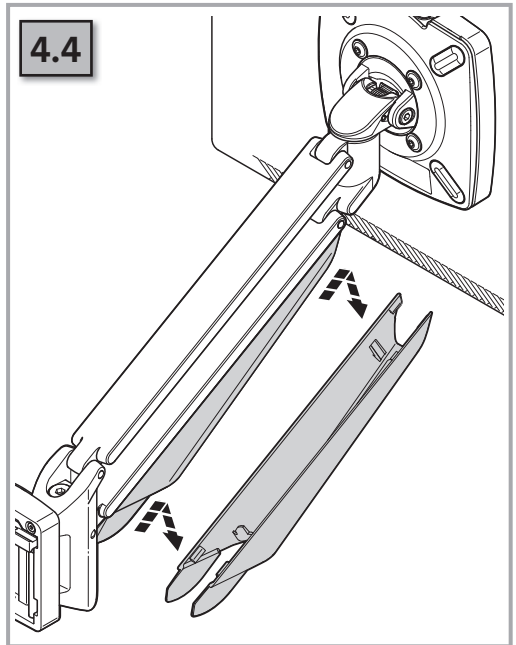
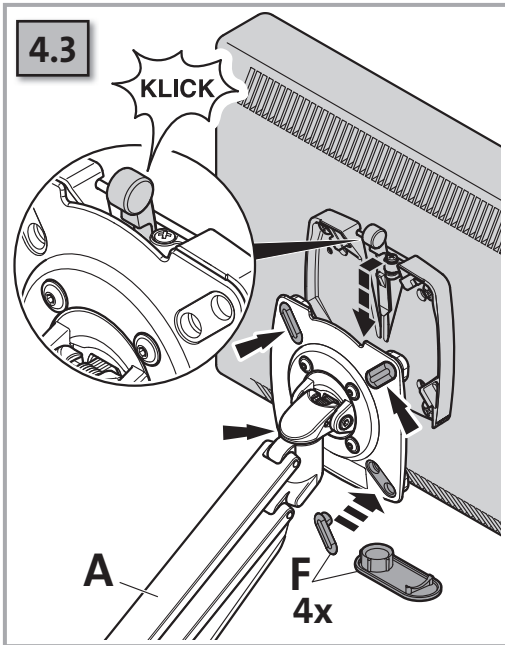
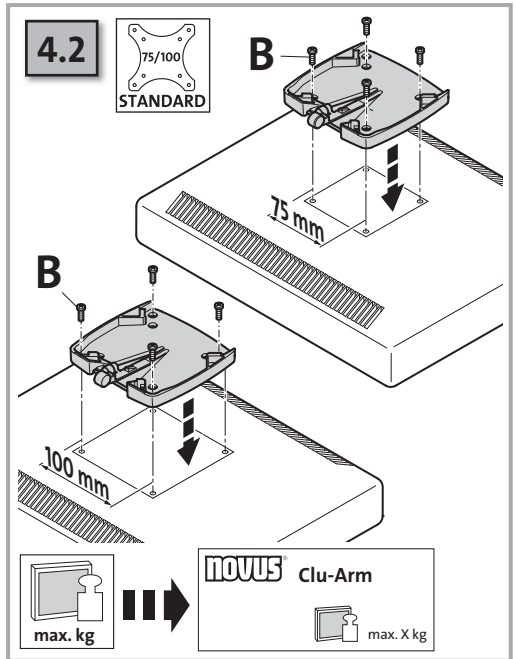
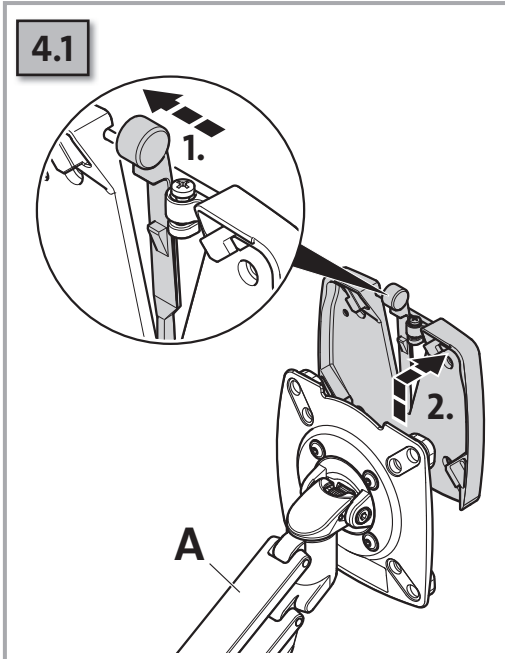
3.

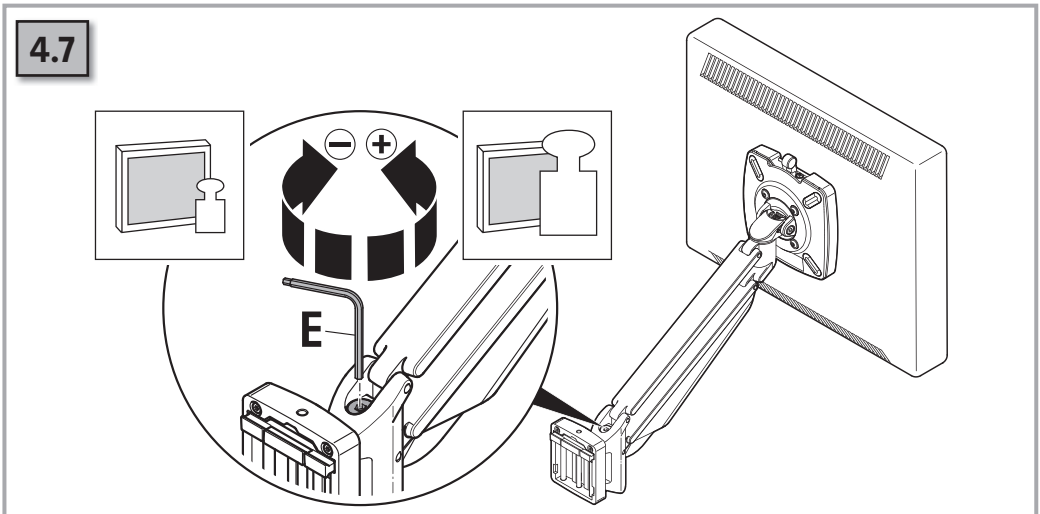
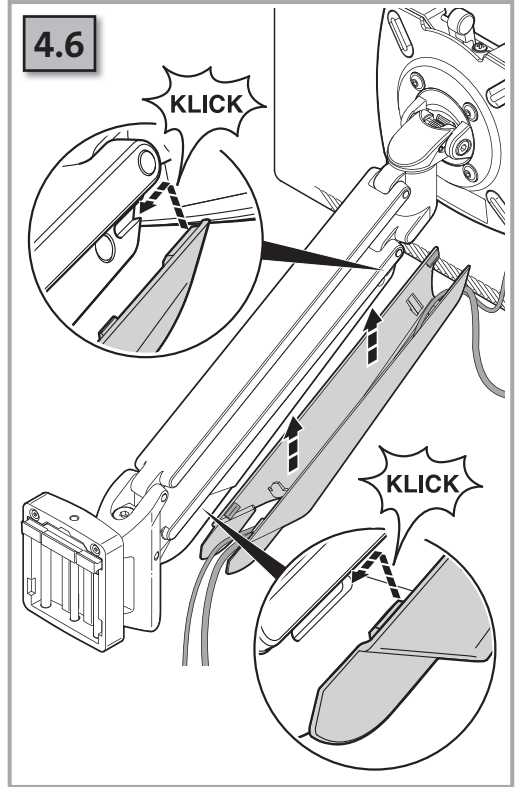
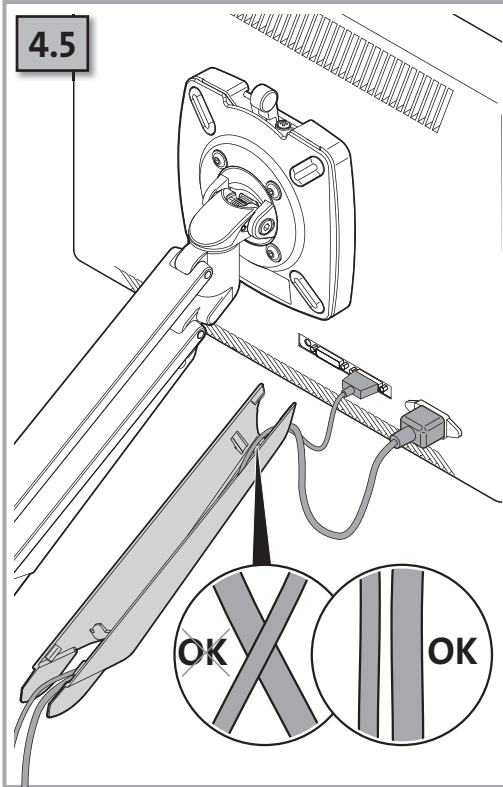


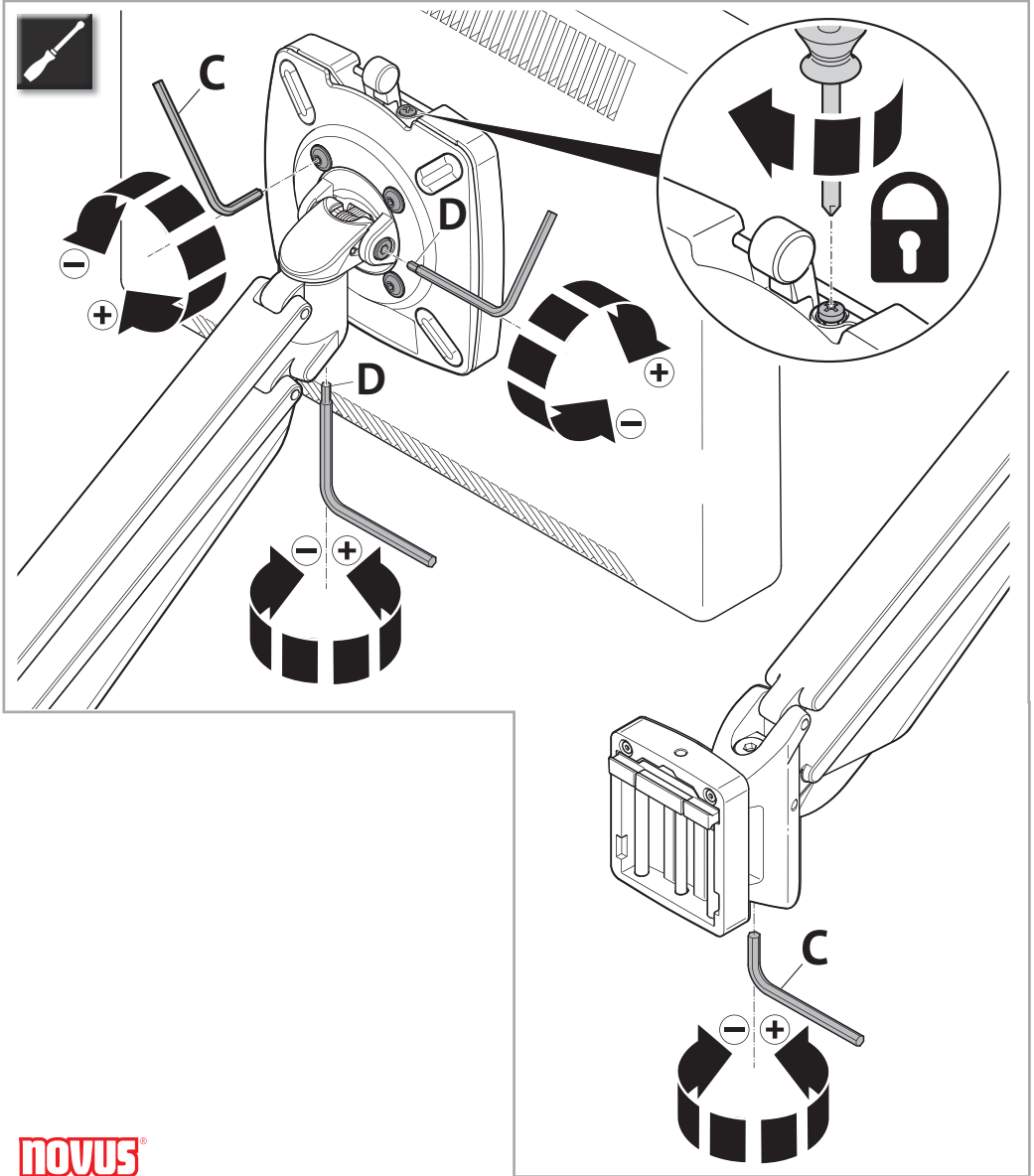
NOVUS® Clu-Arm



4.







NOVUS[®]

Dahle North America, Inc.
 49 Vose Farm Road
 Peterborough, NH 03458
 Tel. (800) 995-1379
 info@novusmorespace.com



www.novusmorespace.com