

## Features

- Digital interface with easy to read configurable color touch screen.
- Can control shower outlets, audio output, chromatherapy, steam and lighting.
- Ability to upgrade to the KOHLER® Konnect™ platform for voice-enabled control of the showering system (K-97999-NA required).
- Can control one or two digital valves to provide two different shower temperatures.
- Six user-definable presets for saving your favorite settings.
- Integrated pre-programmed temperature and hydrotherapy programs for spa-like showering experiences.
- System warm-up and pause feature.
- Duration/countdown timer.
- Up to three interfaces can be connected to each system.
- Features 14 different language options.
- Easy-to-clean water-resistant casing.

## Material

- Premium material construction for durability and reliability.

## Installation

- Compatible with Real Rain® software; can be used to actuate Deluge™ function.
- Surface-mount.

## Required Products/Accessories

K-99694 Interface Mounting Bracket  
K-99695 System Controller Module

or

K-97999 module  
K-99694 Interface Mounting Bracket

## Recommended Products/Accessories

K-23723 Faucet cleaner



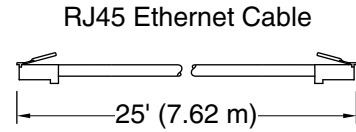
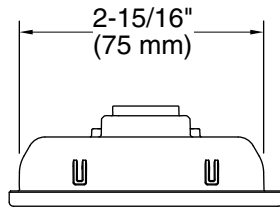
ADA

## Codes/Standards

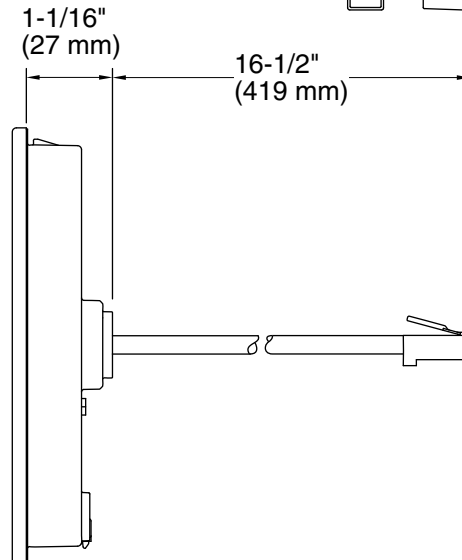
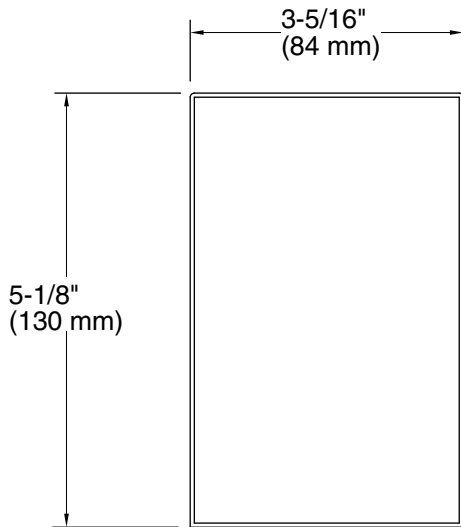
UL 1951  
CSA C22.2 No. 14  
CSA C22.2 No. 68  
ADA  
ICC/ANSI A117.1

## KOHLER® Electronic Faucets, Valves, and Controls Five-Year Limited Warranty

See website for detailed warranty information.



RJ45 Coupler



## Technical Information

All product dimensions are nominal.

Drain included: No

Max. Ambient temp: 125°F (51.7°C)

## Notes

Install this product according to the installation instructions.

**CAUTION:** Risk of product damage. The digital interface is rated to operate in temperatures up to 140°F (60°C). Do not install where the temperature may exceed 140°F (60°C).

**CAUTION:** Risk of product damage. Do not install the digital interface above the steamhead of a steam unit.

ADA compliant when installed to the specific requirements of these regulations.