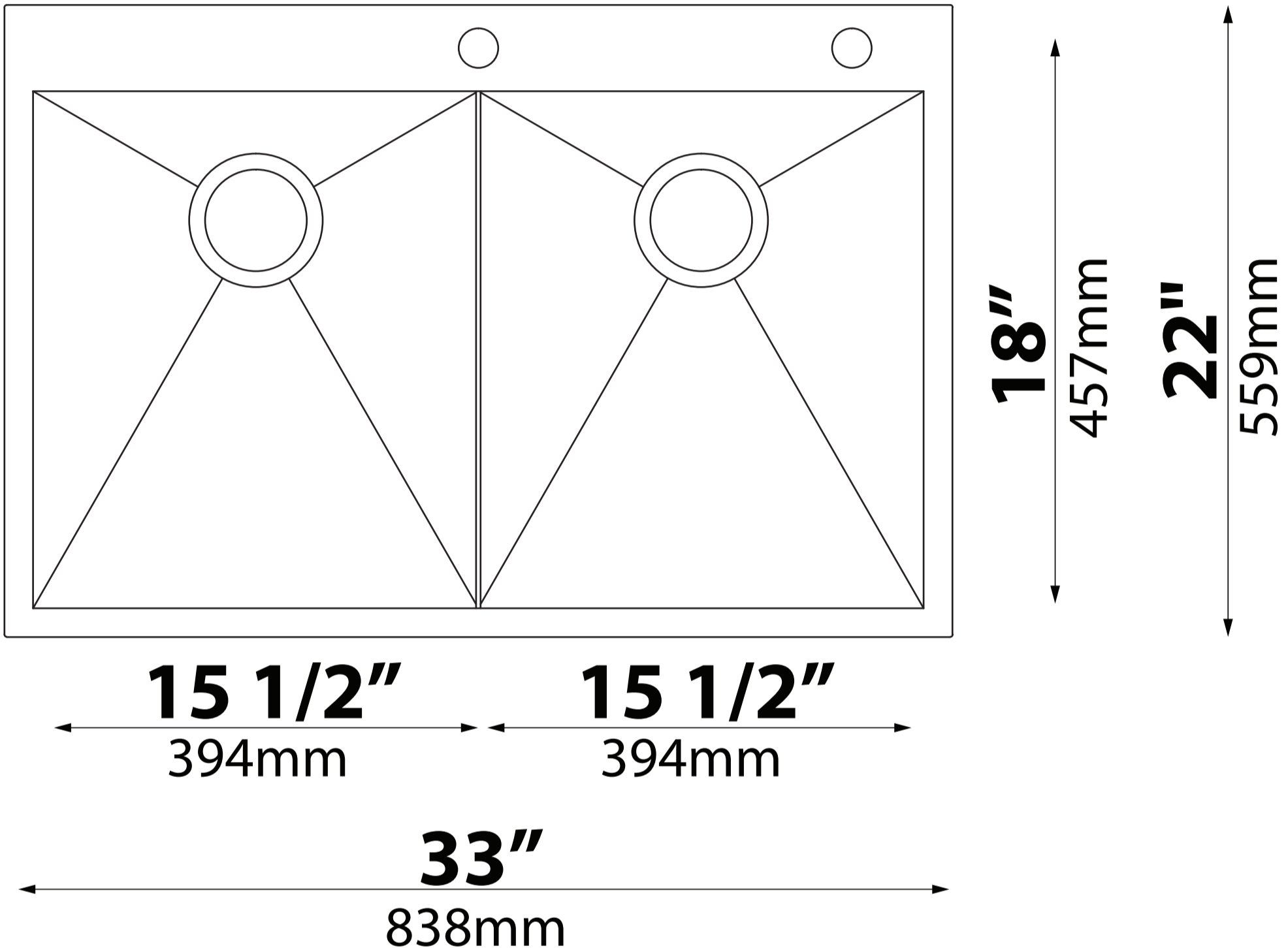




**Model No.
KP1TD33S-2**

Pro Hotline: 516.801.8955
Customer Service: 800.755.0703



NOTE: Cutout template is provided as a guide **ONLY** and must be checked against actual sink to verify correct fit.