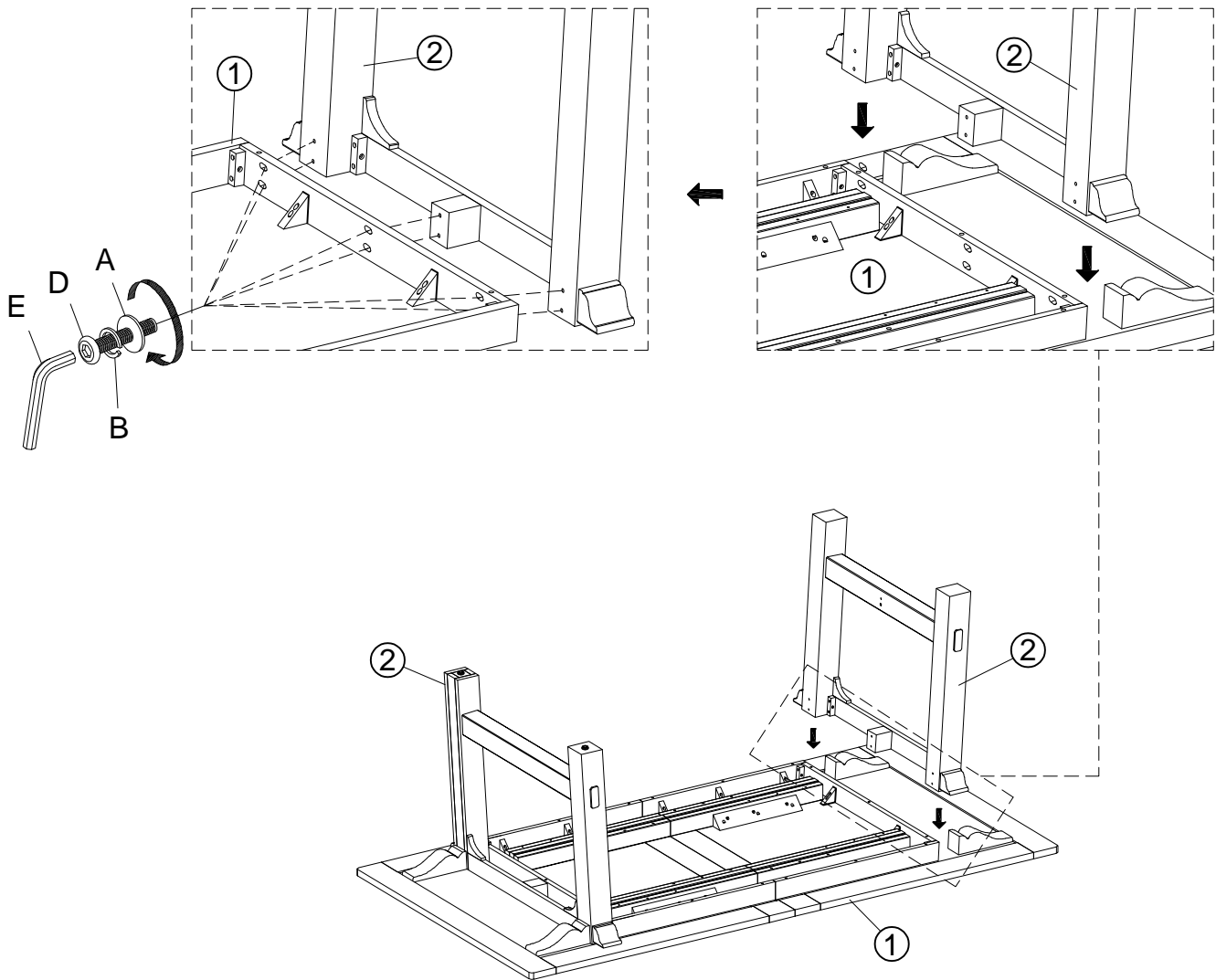







Thank you for purchasing this quality product from A.R.T. Furniture. Be sure to check all packing material for parts which may have come loose inside the carton during shipment. Identify and count all parts and compare with the parts list below.

Note: Some furniture is heavy, it is recommended that two people assemble this item to avoid injury or damage.

Step 1



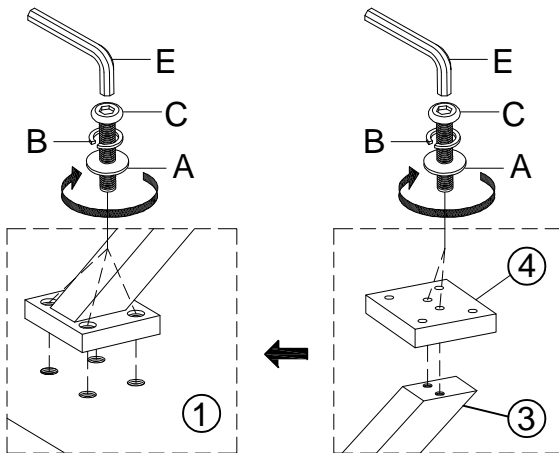
No.	Hardware List		Qt.
A		$\frac{5}{16}$ " Flat Washer	26
B		$\frac{5}{16}$ " Lock Washer	26
C		$\frac{5}{16}$ " x 1- $\frac{1}{8}$ " Bolt	12
D		$\frac{5}{16}$ " x 1- $\frac{3}{4}$ " Bolt	14
E		4mm Allen Wrench	1

Parts List			
1		Table Top	1
2		Leg Frame	2
3		Stretchers	2
4		Mounting Plate	2
5		Leaf	2

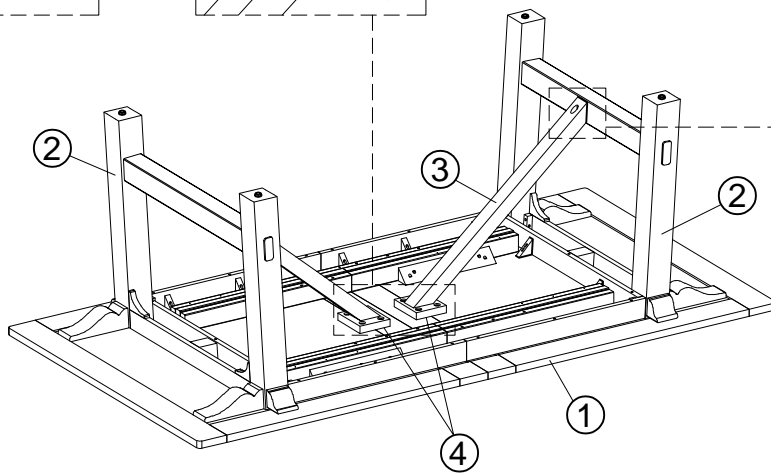
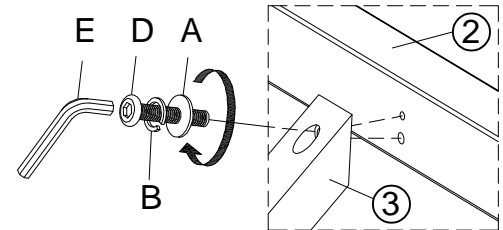
Thank you for purchasing this quality product from A.R.T. Furniture. Be sure to check all packing material for parts which may have come loose inside the carton during shipment. Identify and count all parts and compare with the parts list below.

Note: Some furniture is heavy, it is recommended that two people assemble this item to avoid injury or damage.

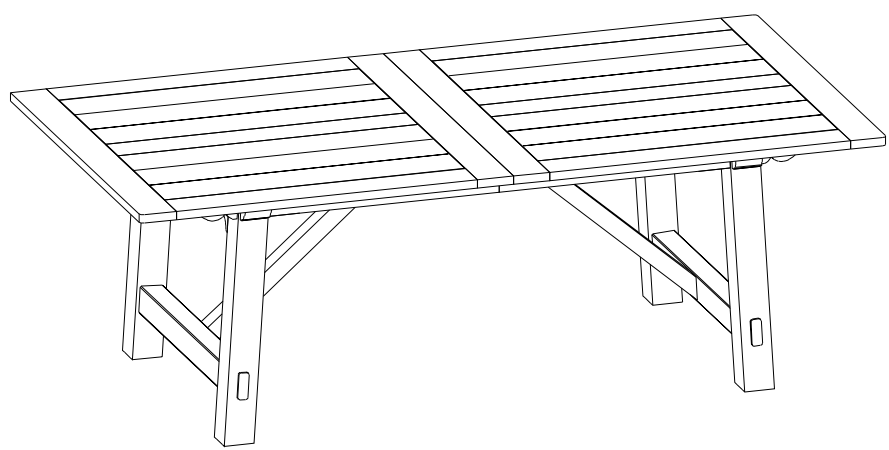
Step 2



Step 3



Step 4



Thank you for purchasing this quality product from A.R.T. Furniture. Be sure to check all packing material for parts which may have come loose inside the carton during shipment. Identify and count all parts and compare with the parts list below.

Note: Some furniture is heavy, it is recommended that two people assemble this item to avoid injury or damage.

Step 5

