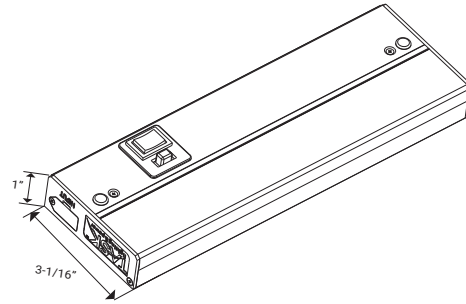


# 120V Bar Light

120-volt under cabinet bar light installation instructions



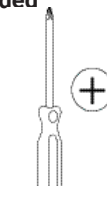
## NOTE

- Install in accordance with NEC and local regulations.
- Maintain polarity on all connections, Red to (+V) and Black to (-V)
- Do not over tighten any screws.
- Read all instructions before installing.
- System is intended for installation by a qualified electrician in accordance with the National Electrical Code (NEC) and local regulations.

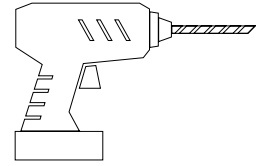
## Tools Needed



Wire Strippers

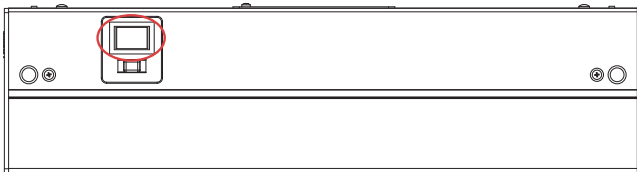


#1 Phillips Screwdriver

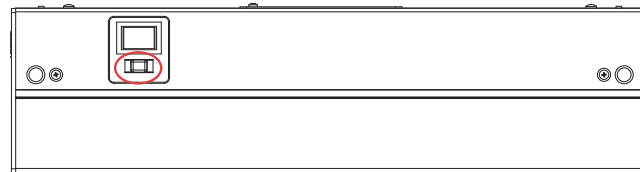


Drill

## CONTROLLING DEVICE



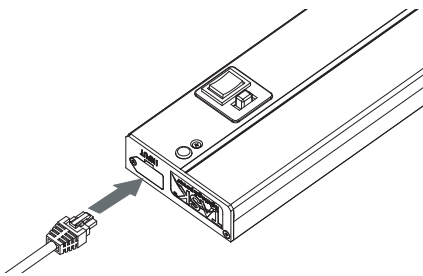
The three-position rocker switch allows users to select from OFF, LOW OUTPUT, or HIGH OUTPUT.



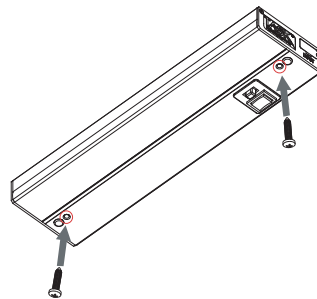
The three-position toggle switch allows users to select between Soft White (3000K), Cool White (4000K), and Daylight White (5000K).

**NOTE: If using the power cord (sold separately), follow the steps below. If installing for hardwired power input, skip to next page.**

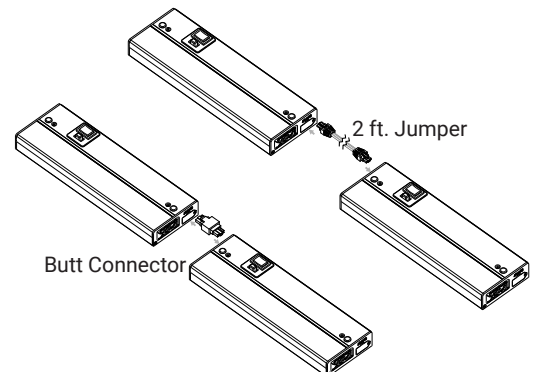
## PLUG-IN OPTION



1. Plug power cord into the port on the end cap of the fixture labeled INPUT.  
**NOTE: DO NOT** plug into the OUTPUT port; forcing cord into the OUTPUT will cause damage to the fixture.



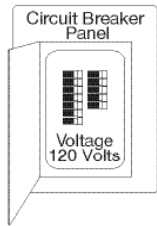
2. Place fixture in mounting location. Tighten mounting screws through holes on the fixture cover. Plug fixture into 120-volt power source. Plug mounting holes with provided caps to match fixture finish.



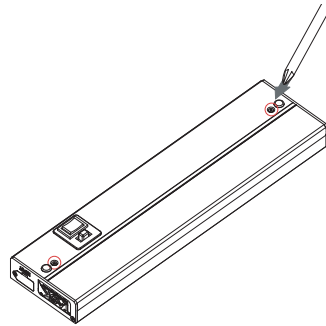
3. If connecting to another fixture, use either the butt connector or linking cable (sold separately). Connect the OUTPUT side of the connector to the OUTPUT side of the first fixture, then the INPUT side of the connector to the INPUT side of the second fixture. Repeat step 2 for mounting.

**NOTE: Knockouts are provided on the side or both the side and bottom of fixture. Use the appropriate knockout(s) based on the location of the wire feeding through fixture. For easiest installation, an access door located in the middle of the back of the fixture also has its own knockout for quick connection to supply wires.**

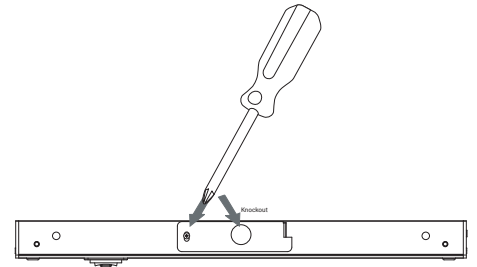
## HARDWIRED OPTION



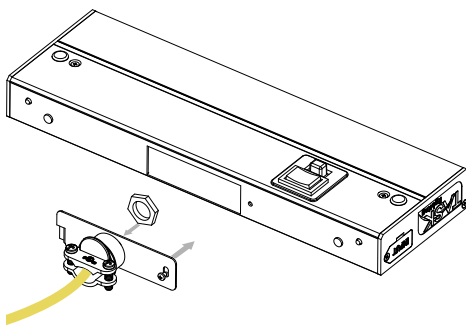
1. Turn off 120V AC power at Circuit Breaker Panel.



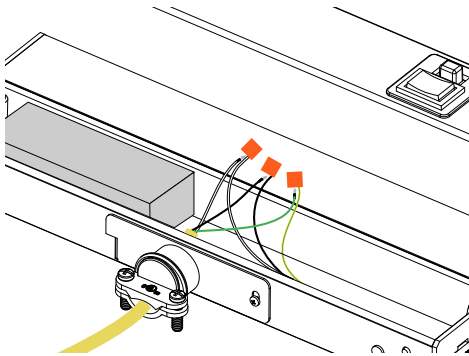
2. Remove the two screws on the top of the fixture. Gently pry open cover.



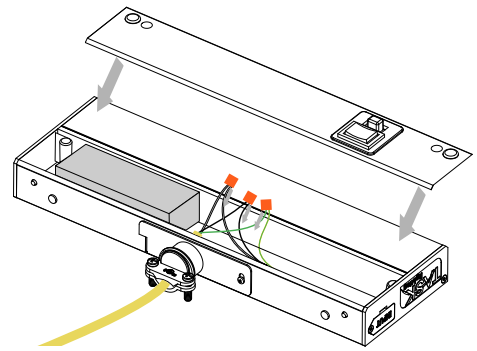
3. Punch out the knockout hole on the back door; unscrew round screw and remove the back door from the window by sliding it to the side.



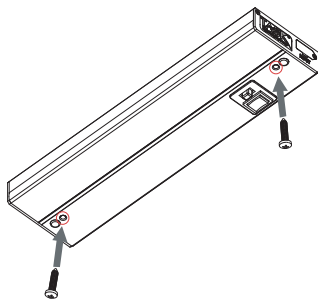
4. Feed input wire through the included cable connector, and then install the cable connector with wire run through it into the open knockout on the back door. Screw back door back to fixture.



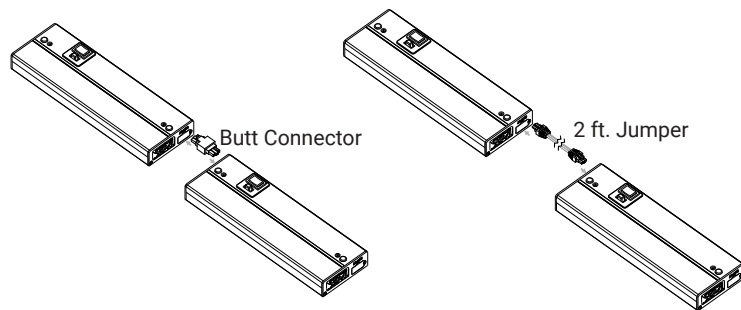
5. Strip wire 3/8" and connect the input power to the three push connectors inside the fixture. Black to black wire connector, white to white, and GROUND to the yellow-green wire connector.



6. Fit wires back into fixture and snap cover shut. **NOTE:** Make sure the ground terminal ring remains aligned with the screw post when closing the fixture.



7. Place fixture in appropriate location and tighten mounting screws through holes on the fixture.



8. If connecting to another fixture, use either the butt connector or linking cable (sold separately). Connect the OUTPUT side of the connector to the OUTPUT side of the first fixture, then the INPUT side of the connector to the INPUT side of the second fixture. Repeat step 7 for mounting.