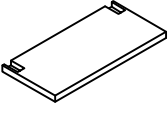
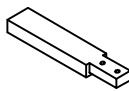





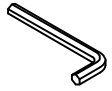
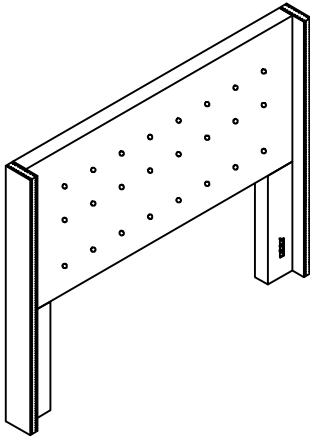


# ASSEMBLY INSTRUCTION

## HEADBOARD

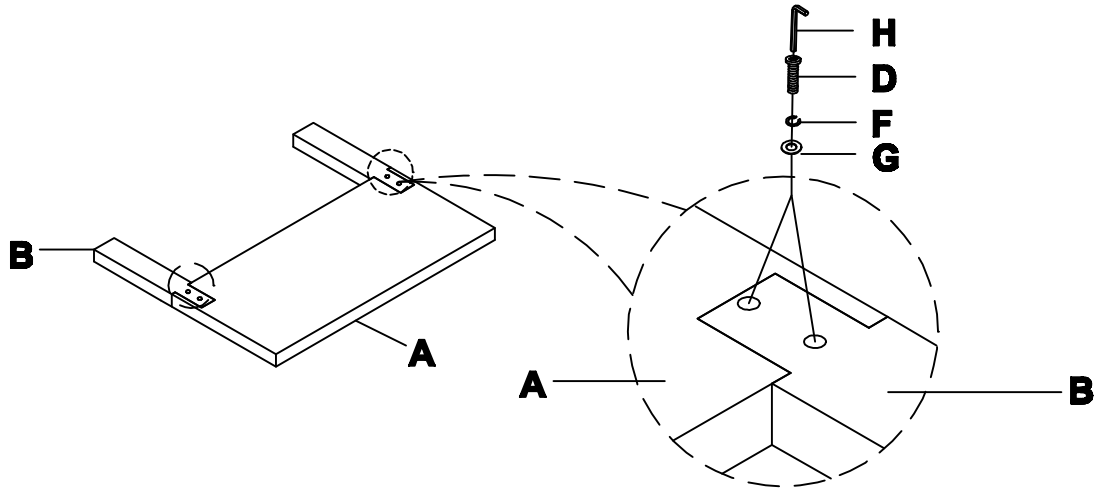
<b>A</b> Headboard  1PC	<b>B</b> Headboard Leg  2PCS	<b>C</b> Headboard Post  2PCS	<b>D</b> Bolt 5/16"×2-3/4"  4PCS
<b>E</b> Bolt 5/16"×2"  8PCS	<b>F</b> Lock Washer 5/16"  12PCS	<b>G</b> Flat Washer 5/16"×22MM  12PCS	<b>H</b> Allen Wrench 5MM  1PC



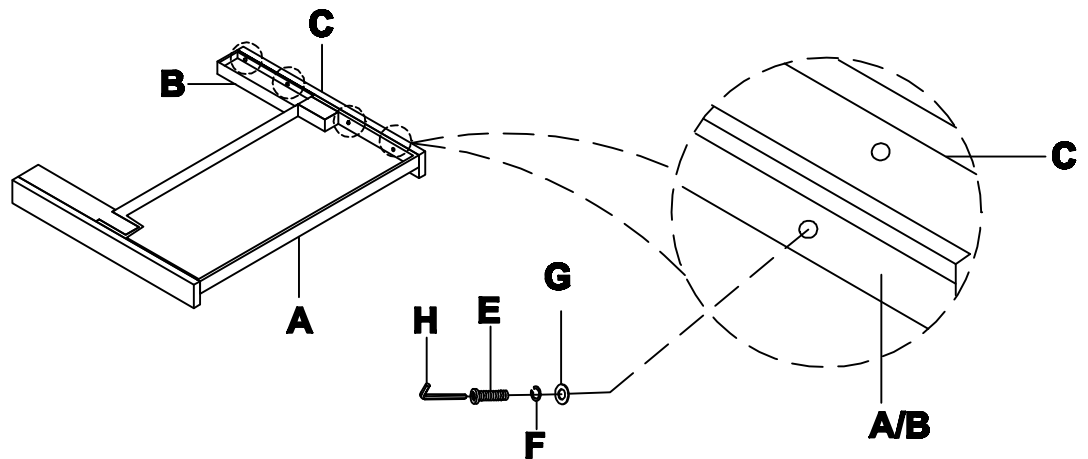
**Please take the time to identify the hardware as well as the individual components to this product. As you unpack and prepare for assembly, place the contents on a carpeted or padded area to protect them from damage.**

**Hardware package with white sticker is for customers using a bolt-on metal bed frame.**

**1** Attached Headboard(A), Headboard Leg(B), Flat Washer(G), Lock Washer(F), Bolt(D) by Allen Wrench(H).



**2** Attached Headboard Post(C) to Headboard(A), Headboard Leg(B), Flat Washer(G), Lock Washer (F), Bolt(E) by Allen Wrench(H).






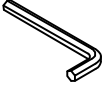
### Cleaning & Care

Treat surface with care. Surface is resistant to scratches but is not scratch resistant. Clean surfaces with a dry or damp soft cloth. Do not use abrasive cleaners. Hardware may loosen over time. Periodically check that all connections are tight.

# ASSEMBLY INSTRUCTION

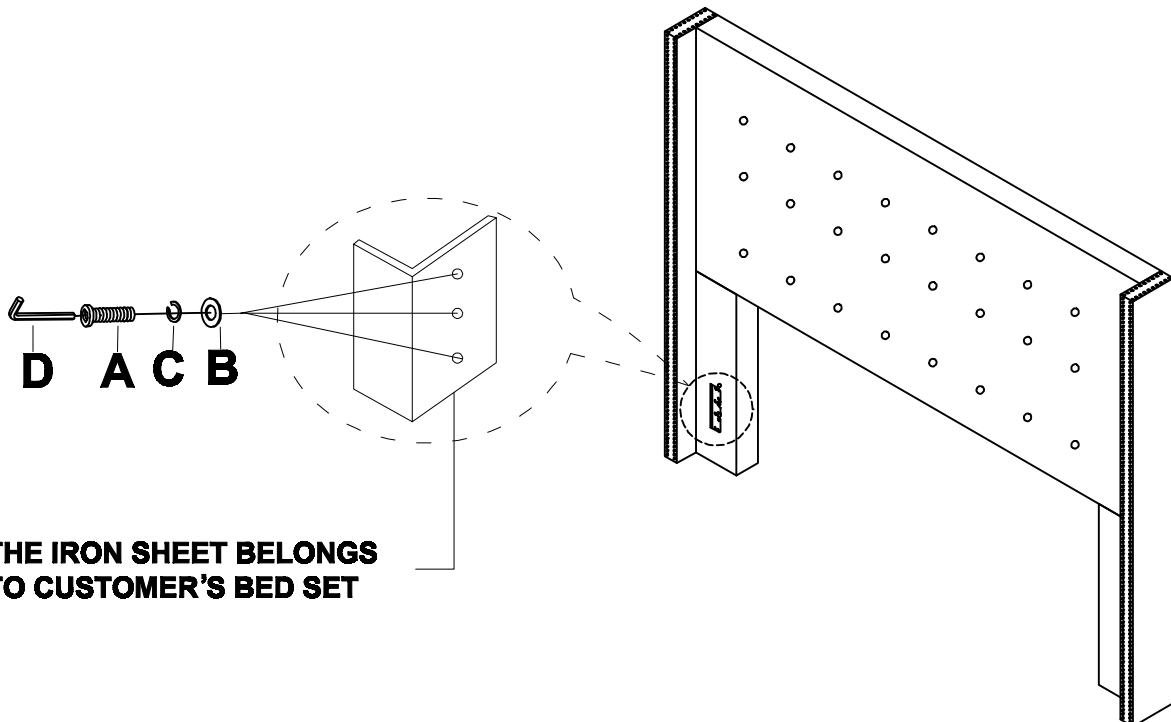
- 1.This Assembly Instruction is for customers using a bolt-on metal bed frame on headboard only.
- 2.Please refer to hardware package with white sticker when using this Assembly Instruction.
- 3.Full/Queen/King Headboard need to use the other Assembly Instruction in the carton to assemble the headboard first, then use this one.
- 4.Twin Headboard is fully assembled, customers only refer to this Assembly Instruction to assemble with their own mattress frame.

## HEADBOARD ONLY-SCREW

<b>A</b> Bolt 5/16"*2-3/8"	<b>B</b> Flat Washer 5/16"*22MM	<b>C</b> Lock Washer 5/16"	<b>D</b> Allen Wrench 5MM
			
6PCS	6PCS	6PCS	1PC

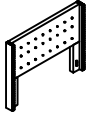




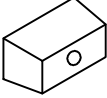





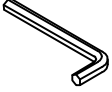
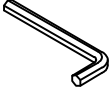

Assembly diagram below for attaching bolt-on metal bed frame to headboard only.

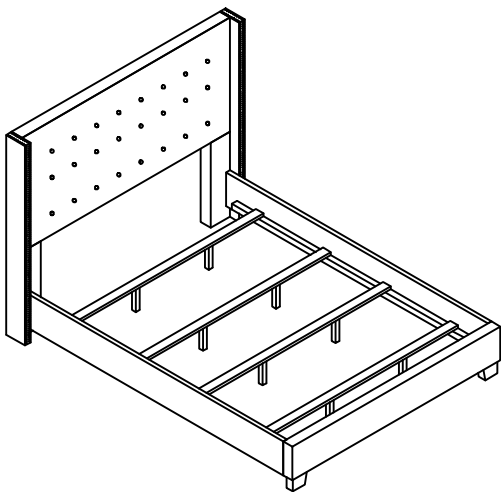
- 1** Attach mattress frame to the headboard, use Bolt(A), Lock Washer(C), Flat Washer(B) as shown turn the Allen Wrench(D) in Bolt(A).



# ASSEMBLY INSTRUCTION

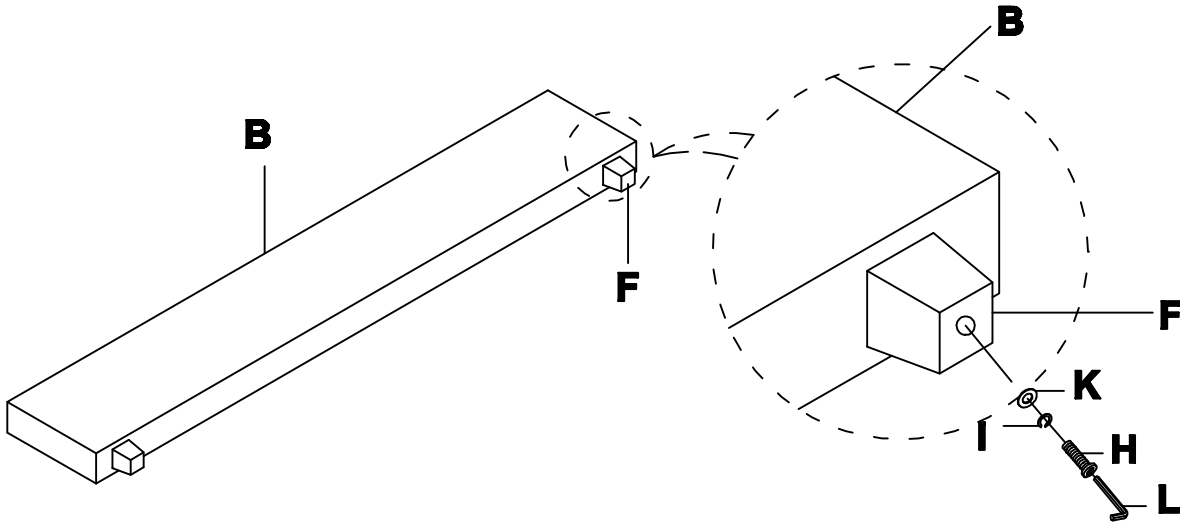
## EASTERN KING BED-FOOTBOARD & RAILS & SLATS

<b>A</b> Headboard (In other carton)  1PC	<b>B</b> Footboard  1PC	<b>C</b> Side Rail  2PCS	<b>D</b> Slat  5PCS
<b>E</b> Support Leg  10PCS	<b>F</b> Leg  2PCS	<b>G</b> Bolt 1/4"*1-1/2"  10PCS	<b>H</b> Bolt 5/16"*3"  2PCS
<b>I</b> Lock Washer 5/16"  2PCS	<b>J</b> Flat Washer 1/4"*16MM  10PCS	<b>K</b> Flat Washer 5/16"*19MM  2PCS	<b>L</b> Allen Wrench 5MM  1PC
<b>M</b> Allen Wrench 4MM  1PC	<b>N</b> Self-Tapping Screw #8*1-1/2"  10PCS		

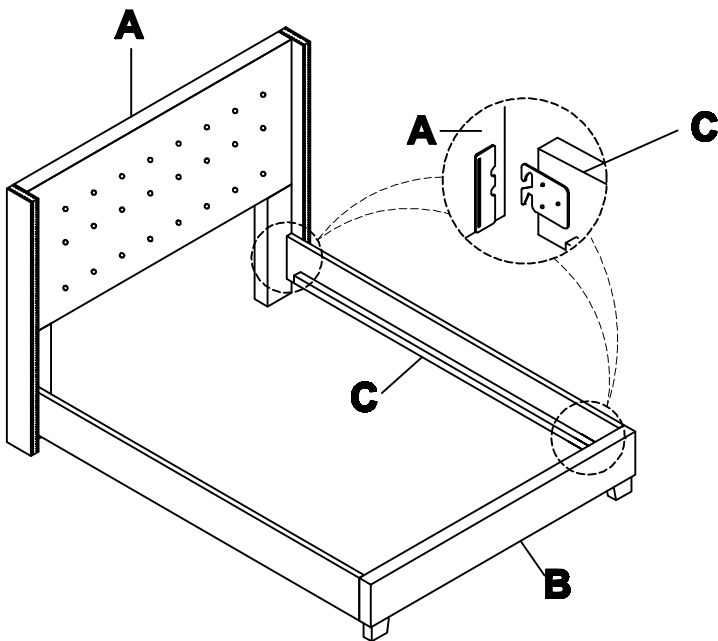


Please take the time to identify the hardware as well as the individual components to this product. As you unpack and prepare for assembly, place the contents on a carpeted or padded area to protect them from damage.

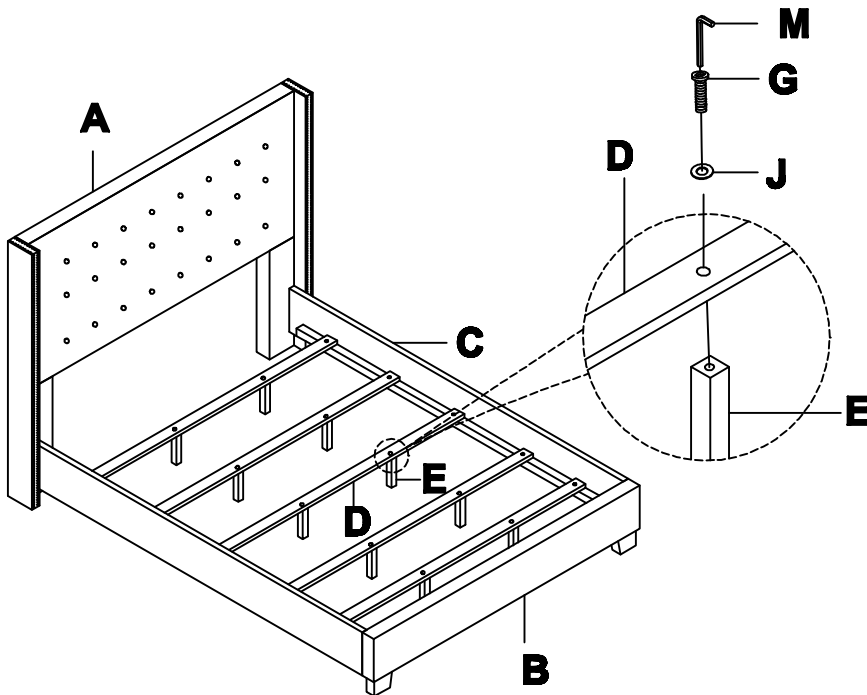
**1** Attached Footboard(B), Leg(F), Flat Washer(K), Lock Washer (I), Bolt(H) by Allen Wrench(L).



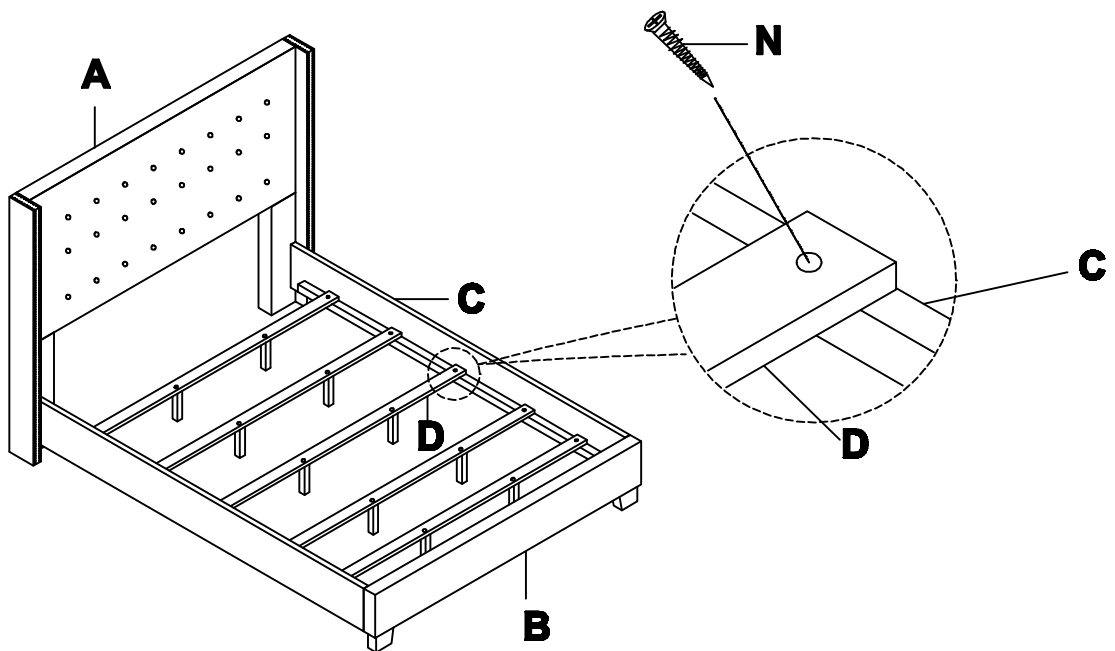
**2** Attached Side Rail(C) to the Headboard(A) and Footboard(B).



**3** Attached Slat(D), Support Leg(E), Flat Washer(J), Bolt(G) by Allen Wrench(M).



**4** Attached Self-Tapping Screw(N) to Side Rail(C).



### Cleaning & Care

Treat surface with care. Surface is resistant to scratches but is not scratch resistant. Clean surfaces with a dry or damp soft cloth. Do not use abrasive cleaners. Hardware may loosen over time. Periodically check that all connections are tight.