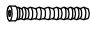
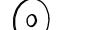



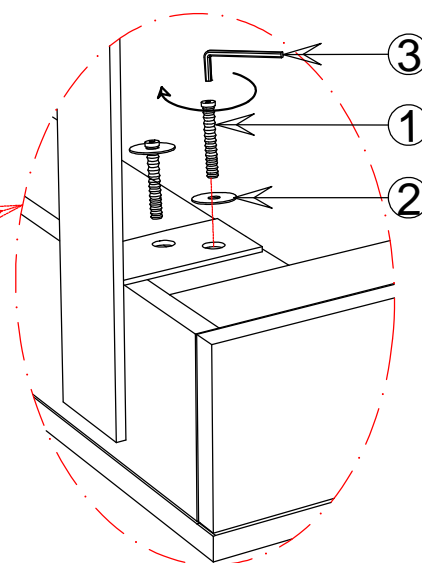
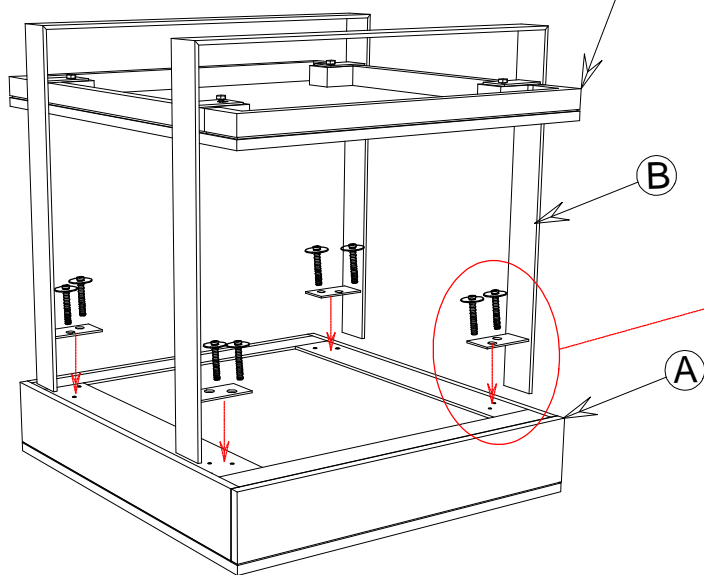
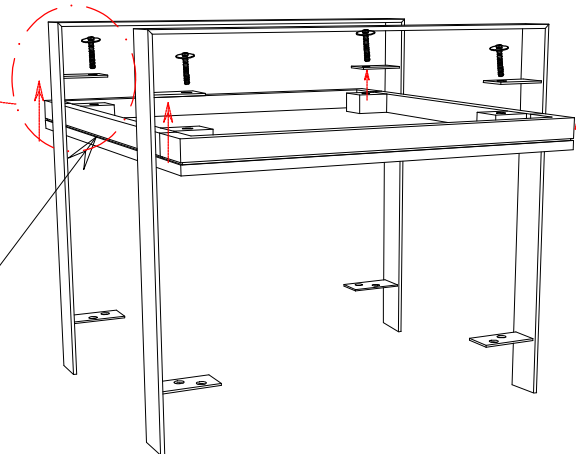
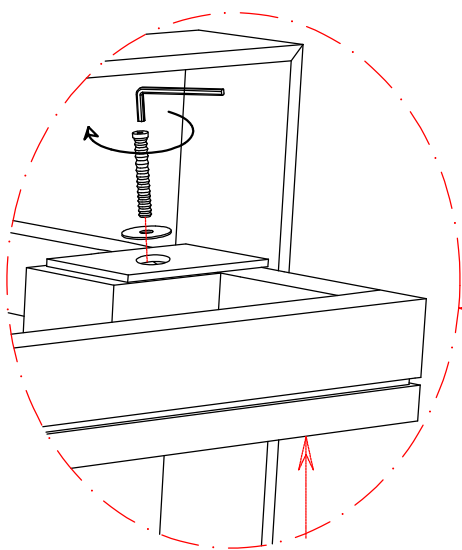
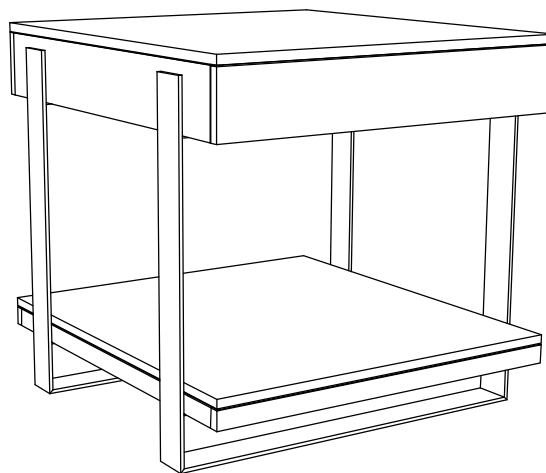
HEKMAN®

A HOWARD MILLER COMPANY

ASSEMBLY INSTRUCTION FOR 23705 END TABLE

HARDWARE LIST

NO.	ITEM	DESCRIPTIN	QTY.
1		JCB Bolt M6 X 20MM	12
2		Flat washer M6X18 MM	12
3		Allen wrench	1



TO ASSEMBLY :

STEP 1 : Unpack lamp table and turn the bottom shelf(C) upside down.

STEP 2 : Align hole in legs (B) with holes on bottom shelf(C).

STEP 3 : Thread the flat washer(2) , JCB bolt (1) to leg (B) . Do not tighten end assemblies fully.

STEP 4 : Attach the top (A) to legs (B) , and align the holes.

STEP 5 : Tighten bolts in step 2 with allen wrench (3), then carefully turn the table upright.