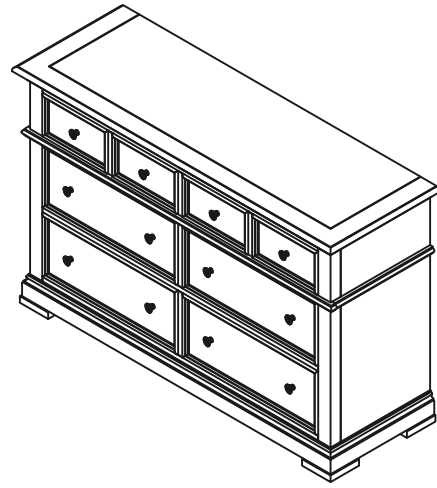


Dresser



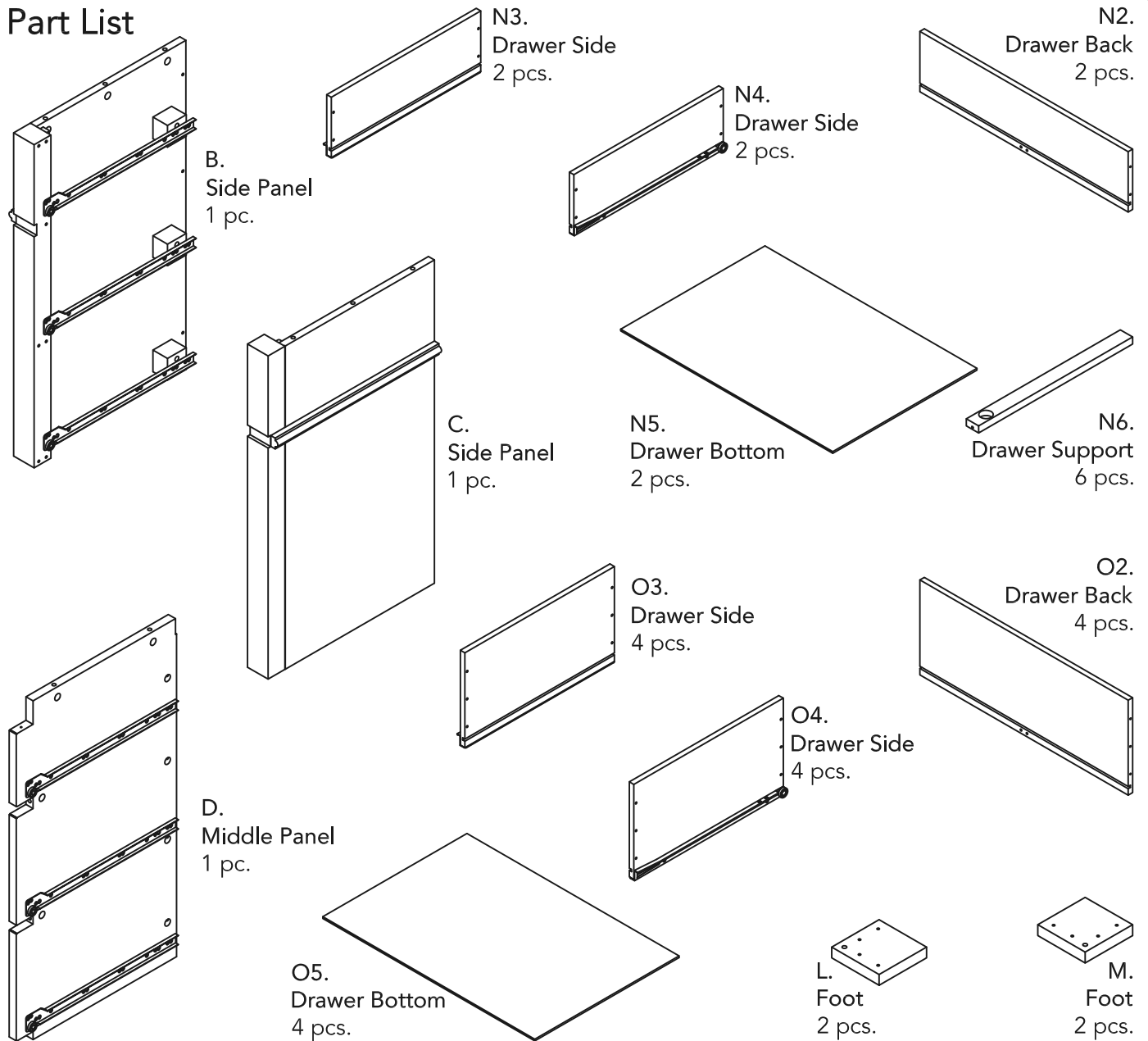
IMPORTANT

Carefully remove all the parts from the carton and place them individually on a soft cloth to prevent scratches or other damage.

Carefully and strictly follow these assembly instructions to ensure a completed product as designed.

Do not use power tools above 8 volts to assemble.

Part List



Carton 20 05504 0431 is also needed for assembly.

Tool(s) required for assembly: Phillips screwdriver, Level, Pencil, Drill (8 volts or less), 3/8" Drill Bit

Home Styles Customer Service: [www.homestyles-furniture.com](http://www.homestyles-furniture.com),  
[servicedesk@homestyles-furniture.com](mailto:servicedesk@homestyles-furniture.com), 888-680-7460, 877-831-0319

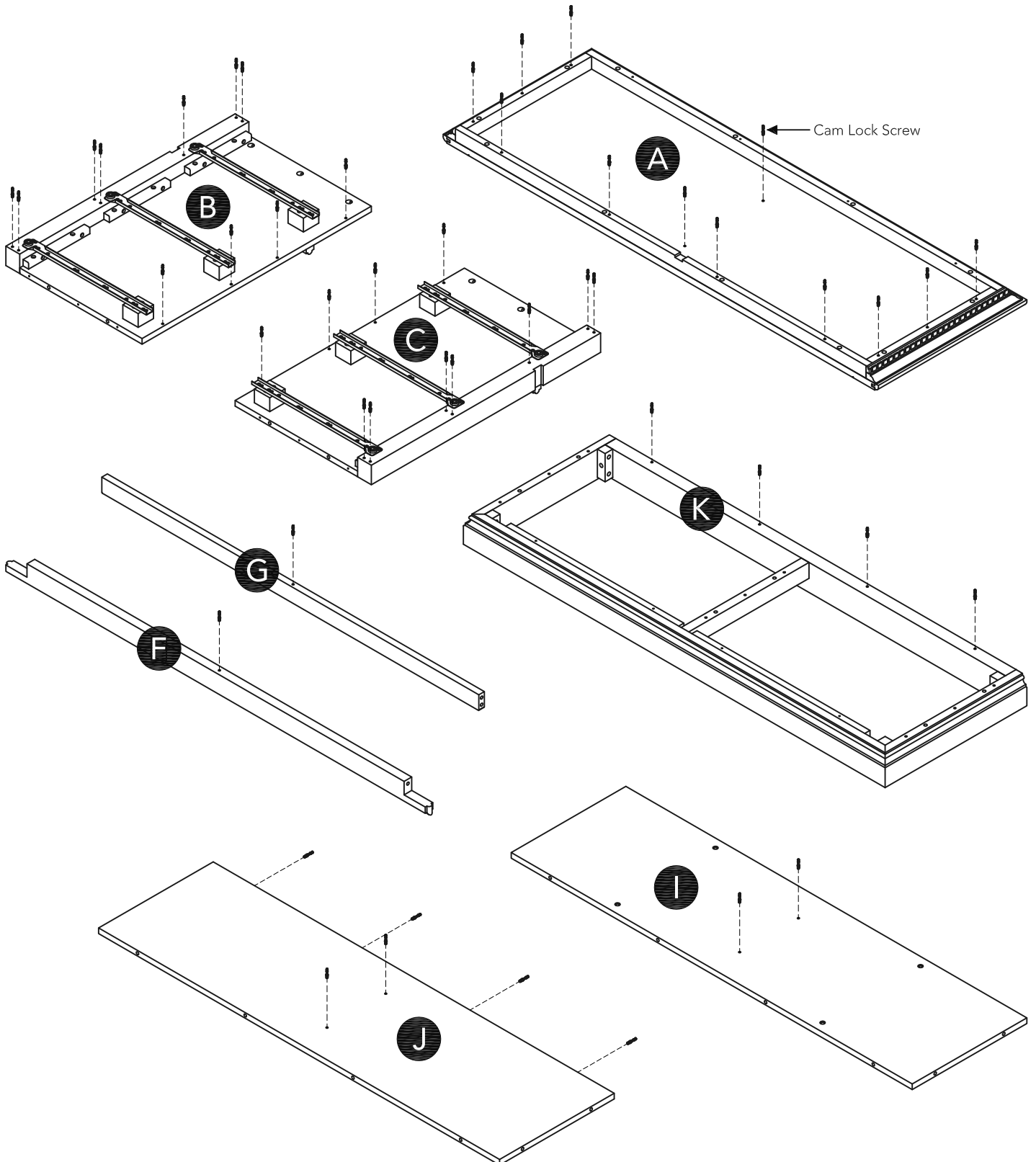
# Assembly Instructions 2/11

## IMPORTANT

- Use a soft cloth between these parts and the floor.
- Do not use power tools above 8 volts to assemble.
- Do not tighten all the screws until each part is properly assembled.
- The unit must be level to work properly. Use the included adjustable levelers to level.

## STEP 1

Insert Cam Lock Screws into pre-drilled holes in Top (A), Side Panels (B), (C), Front Rails (F), (G), Back Panels (I), (J) and Bottom (K), then tighten.



# Assembly Instructions 3/11

## STEP 2

Attach Back Panel (I) to Back Panel (J).

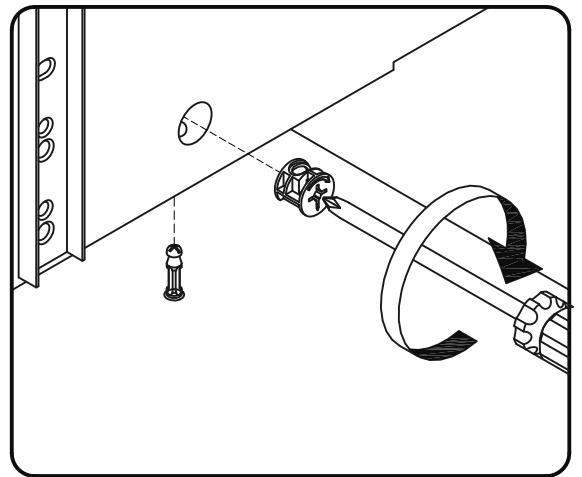
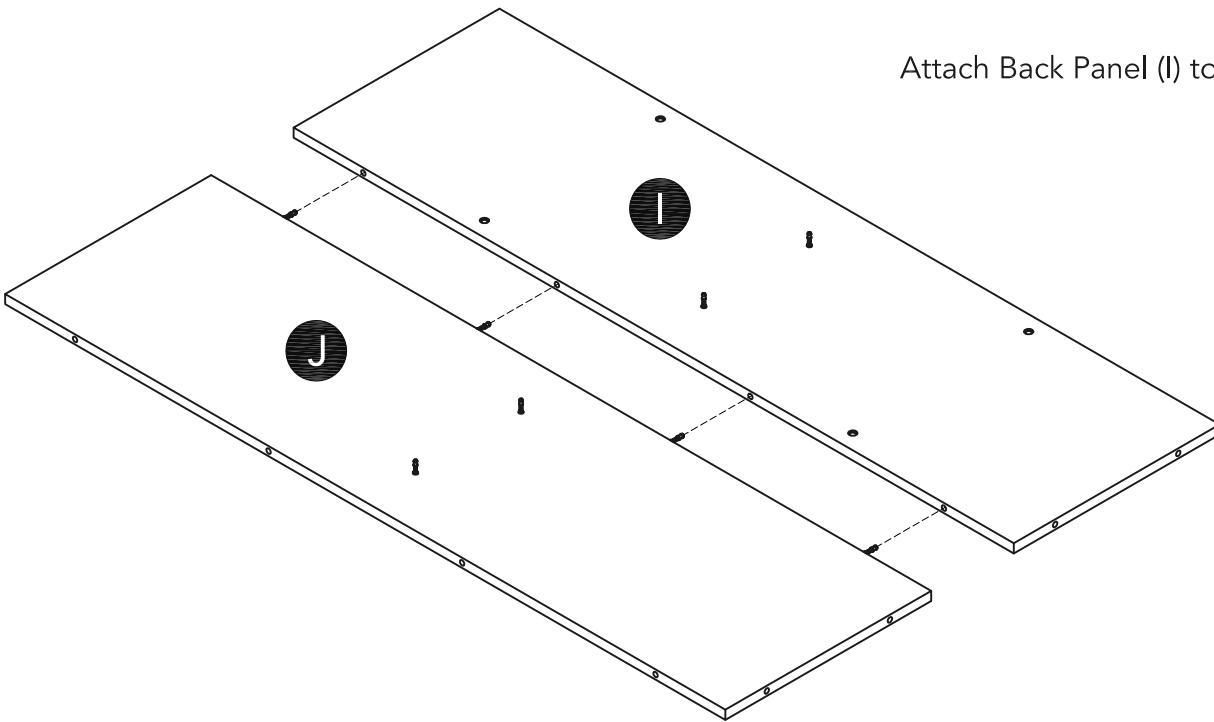
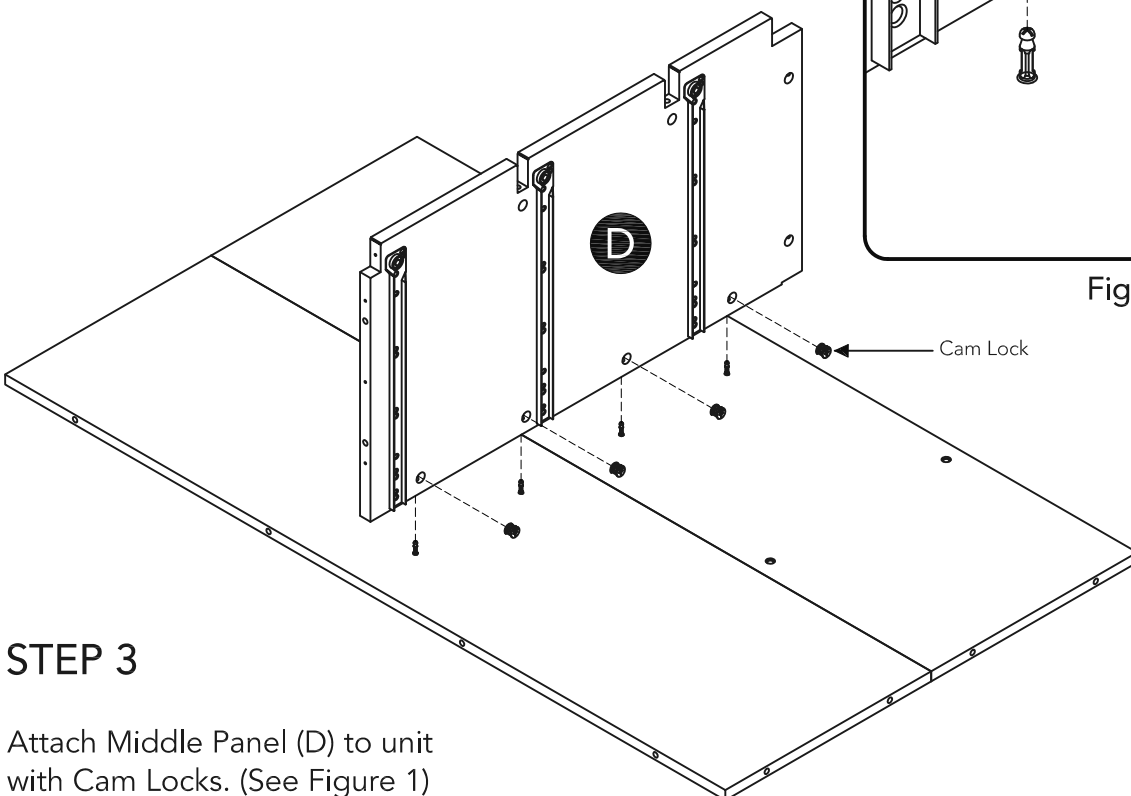


Figure 1



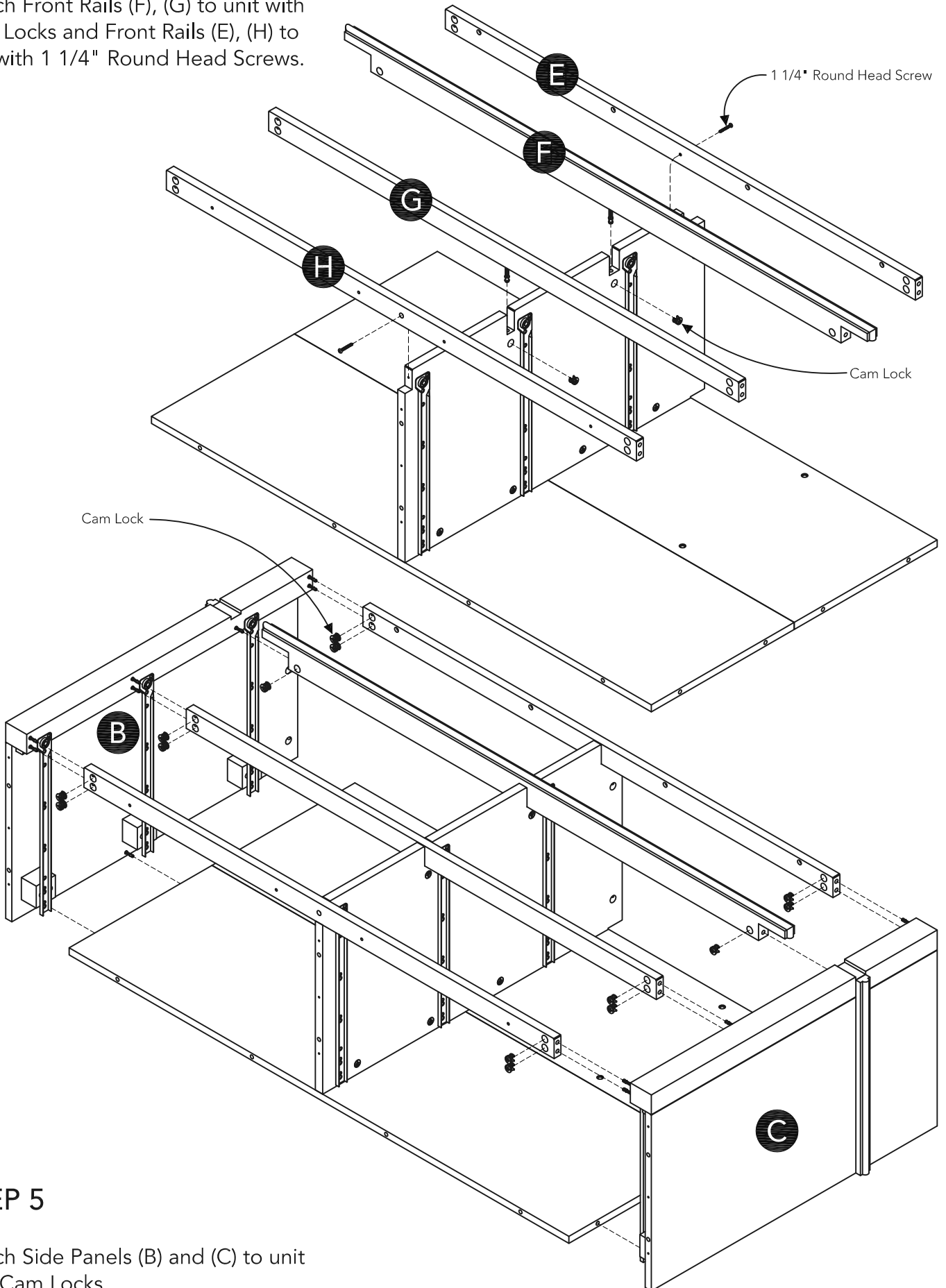
## STEP 3

Attach Middle Panel (D) to unit with Cam Locks. (See Figure 1)

# Assembly Instructions 4/11

## STEP 4

Attach Front Rails (F), (G) to unit with Cam Locks and Front Rails (E), (H) to unit with 1 1/4" Round Head Screws.



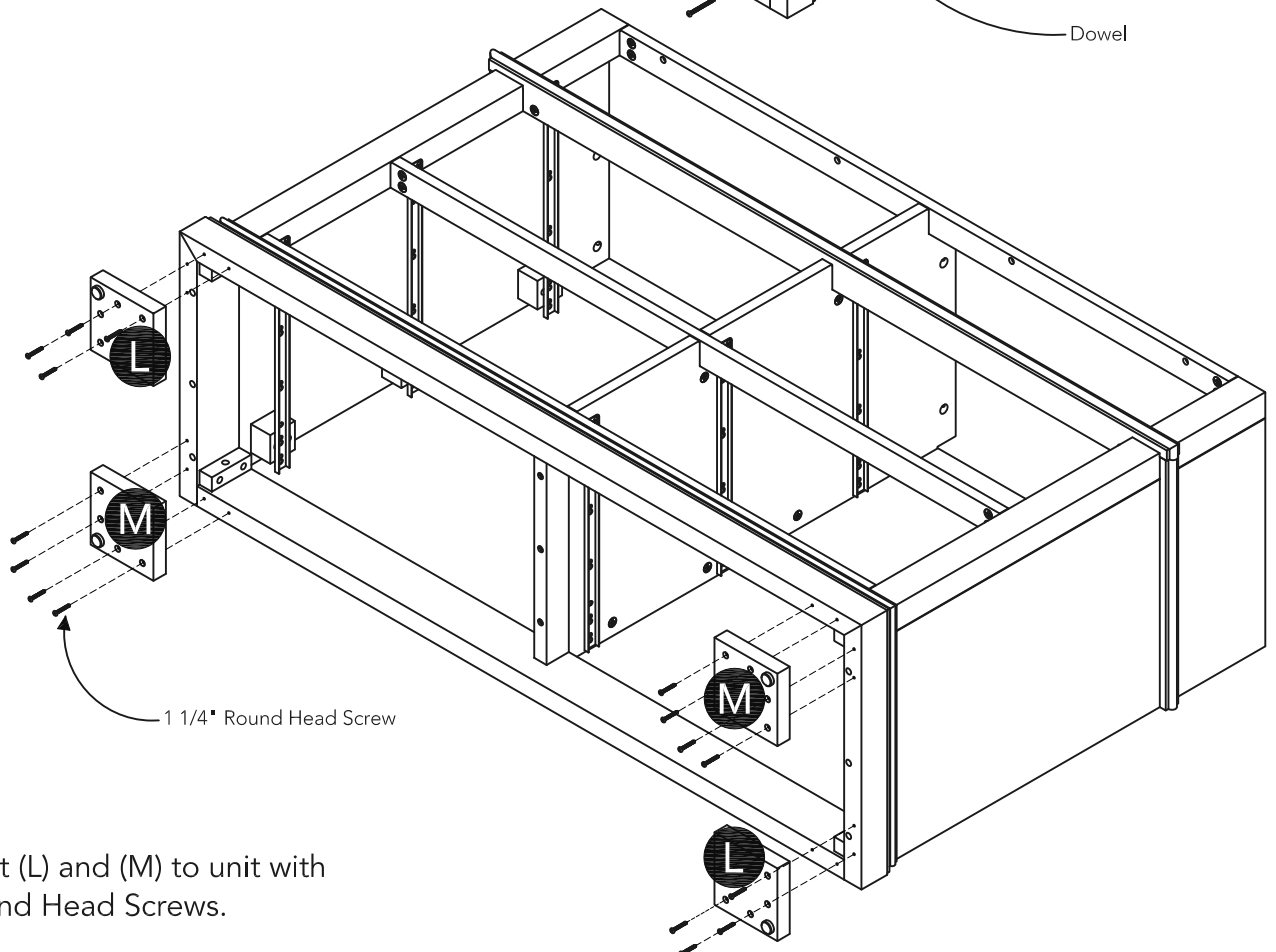
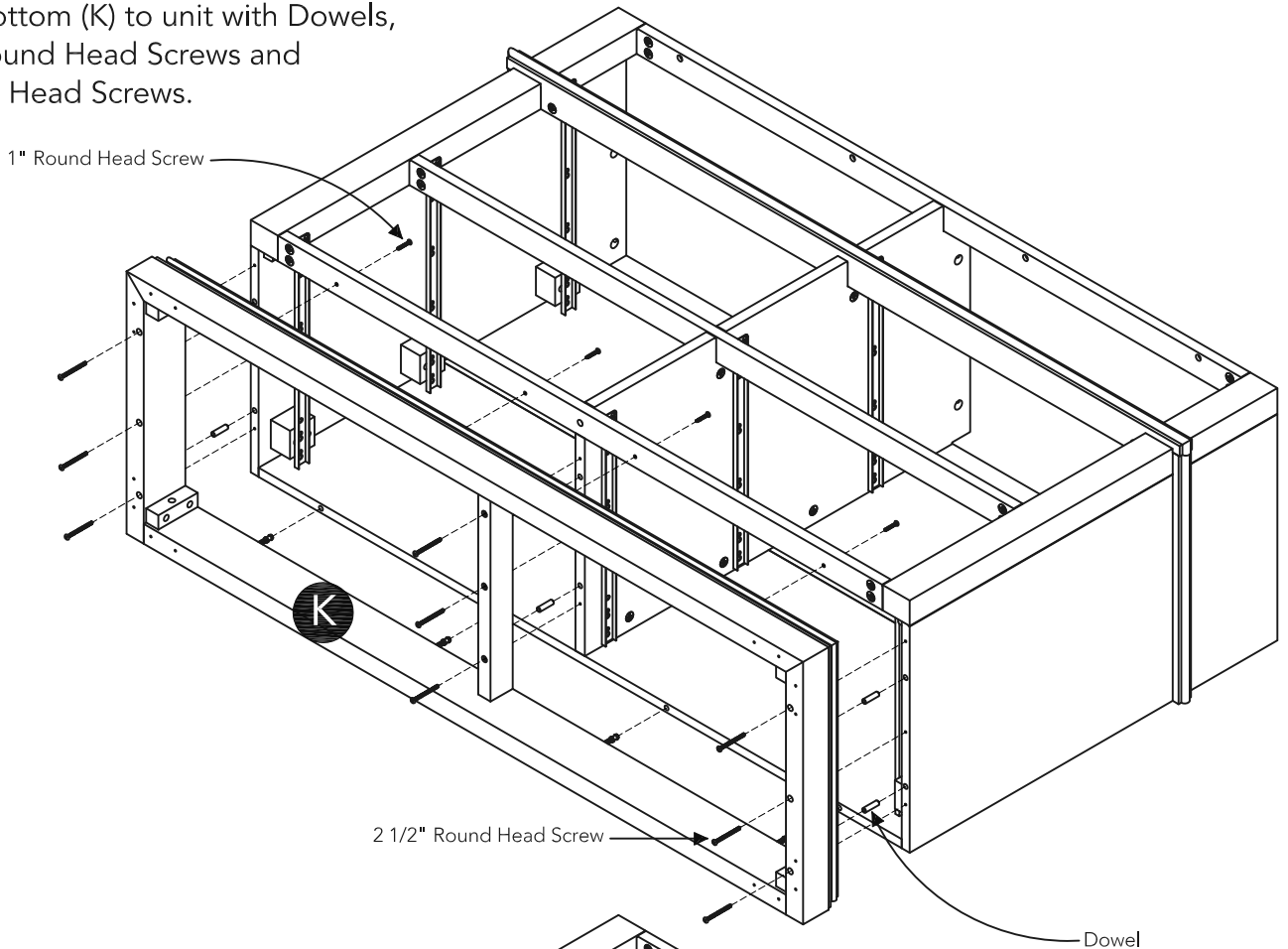
## STEP 5

Attach Side Panels (B) and (C) to unit with Cam Locks.

# Assembly Instructions 5/11

## STEP 6

Attach Bottom (K) to unit with Dowels, 2 1/2" Round Head Screws and 1" Round Head Screws.



## STEP 7

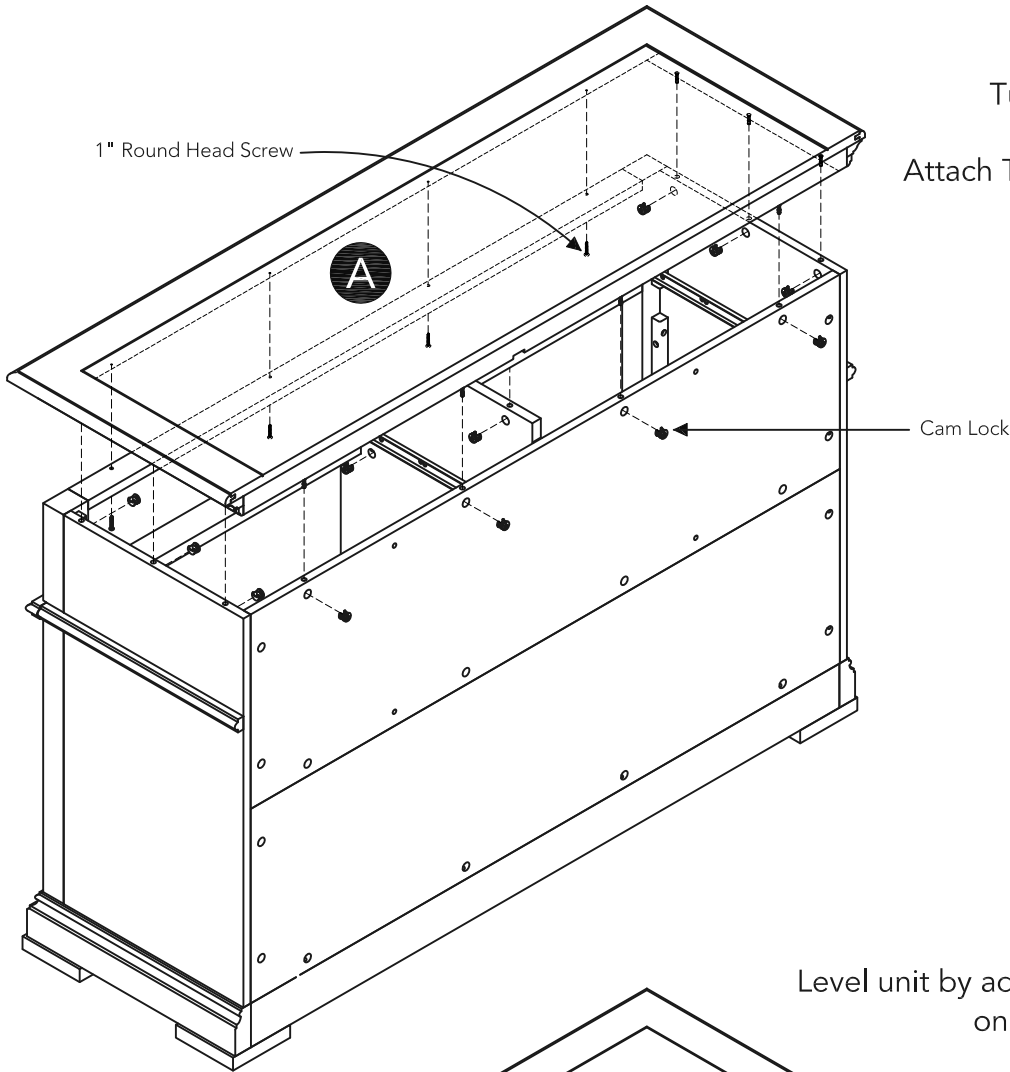
Attach Feet (L) and (M) to unit with 1 1/4" Round Head Screws.

# Assembly Instructions 6/11

## STEP 8

Turn unit to its upright position.

Attach Top (A) to unit with Cam Locks and 1" Round Head Screws.



## STEP 9

Level unit by adjusting the adjustable levelers on bottom of feet. (See Figure 2)

Note: Unit must be level to proceed.

Insert Cam Locks into unit, then tighten.

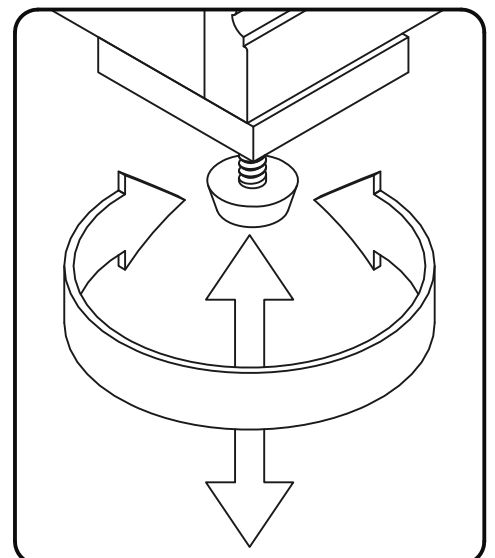
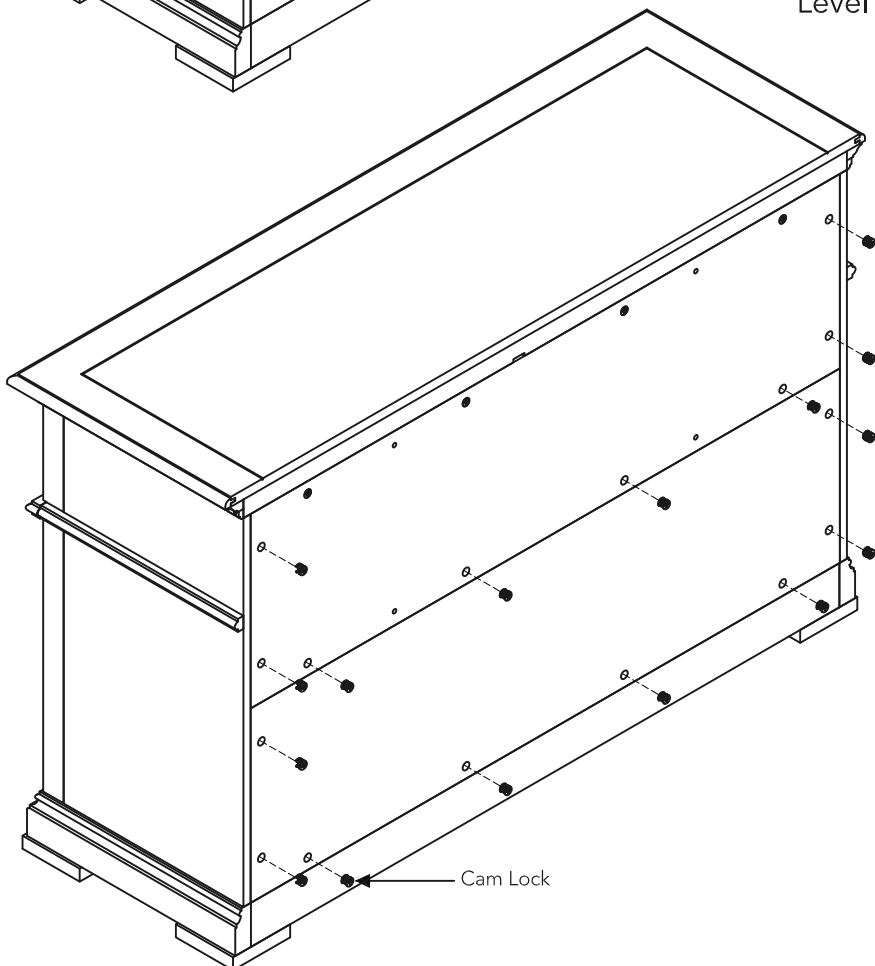


Figure 2

# Assembly Instructions 7/11

## IMPORTANT

- To help reduce the risk of the unit tipping over, the Tipover Restraint must be installed following these instructions exactly.

## STEP 10

Place unit at desired location.

Mark wall with pencil just above and in-line with hole in Top (A). (See Figure 3)

Move unit.

Drill a 3/8" hole in wall 1 1/2" below mark.

Insert Anchor into the wall hole and attach Tipover Restraint to Anchor with 1 1/2" Round Head Screw and Flat Washer. (See Figure 4)

Move unit back into place and insert Tipover Restraint into unit through hole in Top (A). (See Figure 5)

Attach Tipover Restraint to unit with 1/2" Round Head Screw and Flat Washer. (See Figure 6)

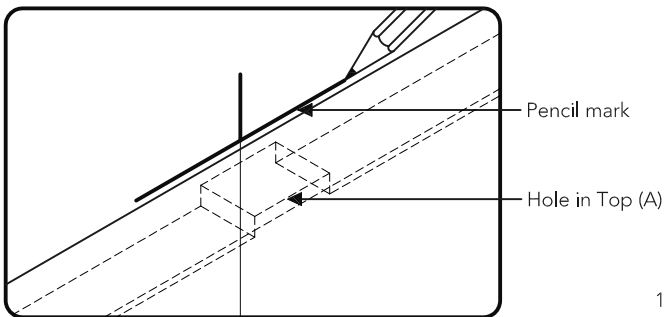
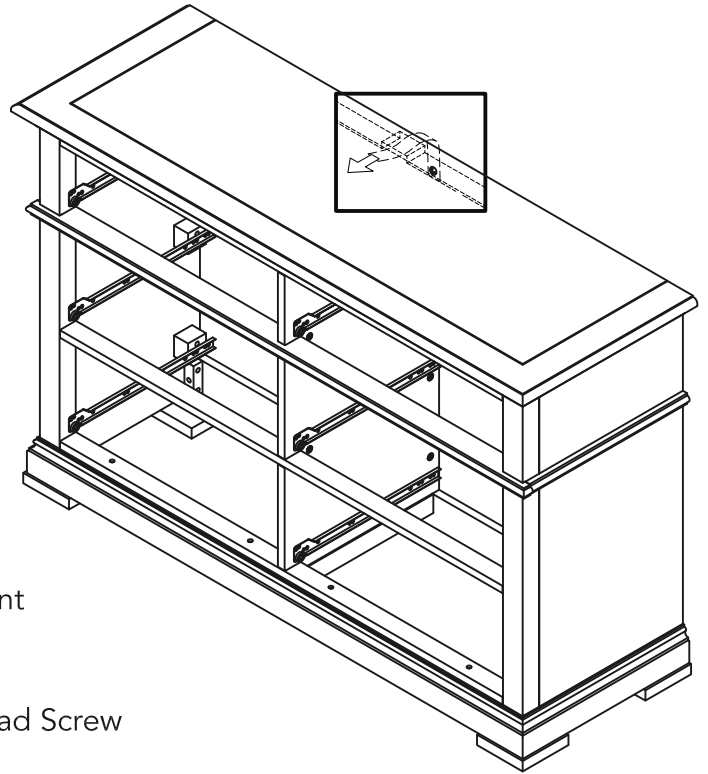


Figure 3

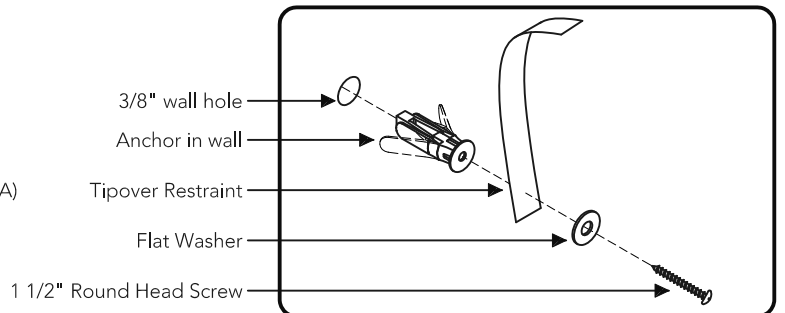


Figure 4

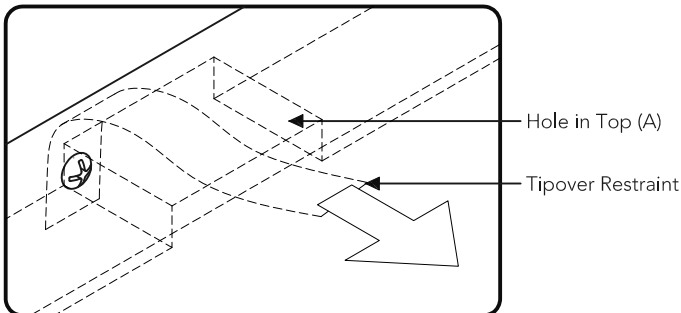


Figure 5

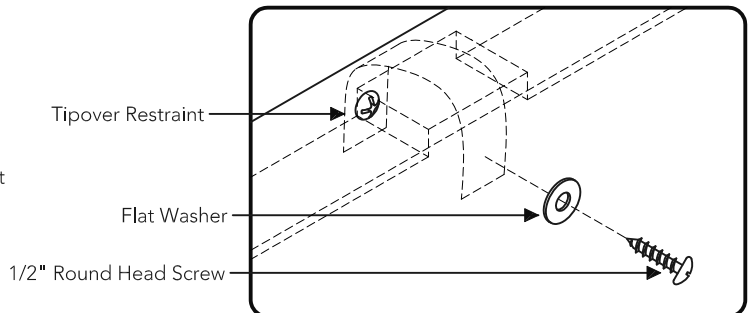
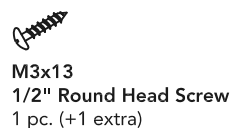
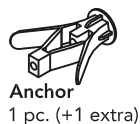


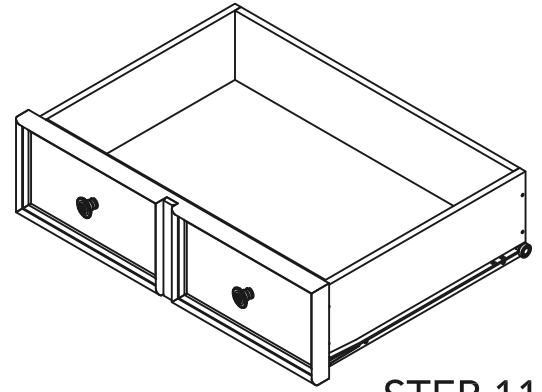
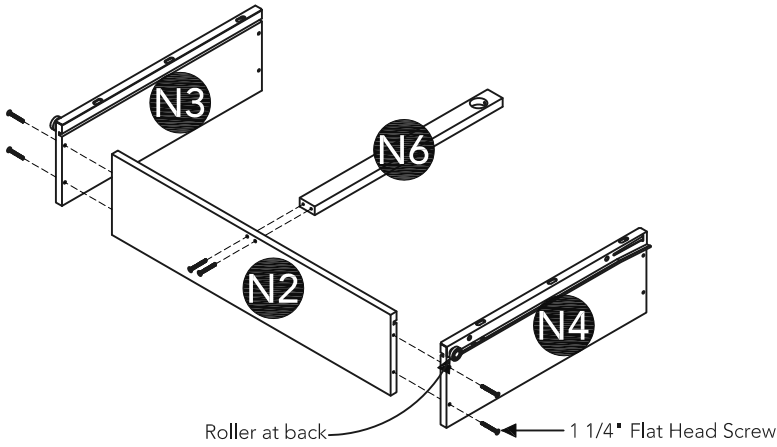
Figure 6

## Hardware List



# Assembly Instructions 8/11

## Drawer (N)



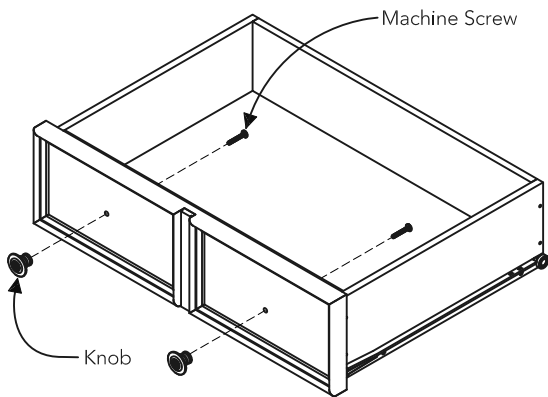
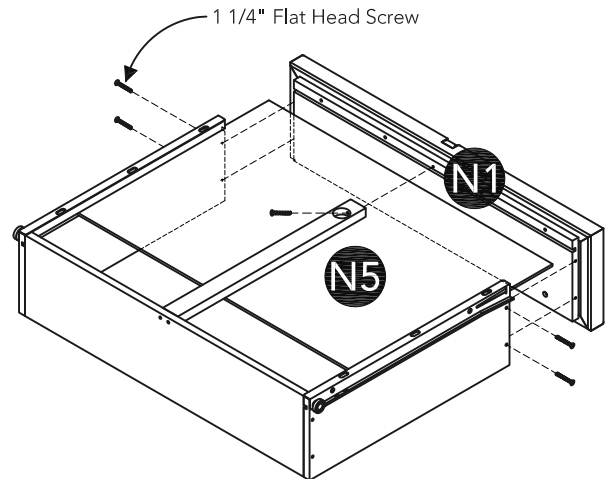
### STEP 11

Attach Drawer Sides (N3), (N4) and Drawer Support (N6) to Drawer Back (N2) with 1 1/4" Flat Head Screws.

### STEP 12

Insert Drawer Bottom (N5) into groove.

Attach Drawer Front (N1) to unit with 1 1/4" Flat Head Screws.

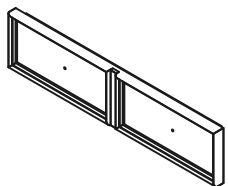


### STEP 13

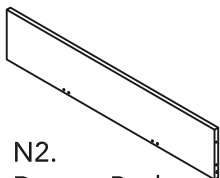
Attach Knobs with Machine Screws.

Note: Drawer assembly is not complete until 3/4" Flat Head Screws are used in a later step.

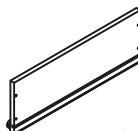
### Part List



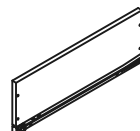
N1.  
Drawer Front  
2 pcs.



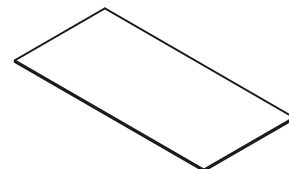
N2.  
Drawer Back  
2 pcs.



N3.  
Drawer Side  
2 pcs.



N4.  
Drawer Side  
2 pcs.



N5.  
Drawer Bottom  
2 pcs.

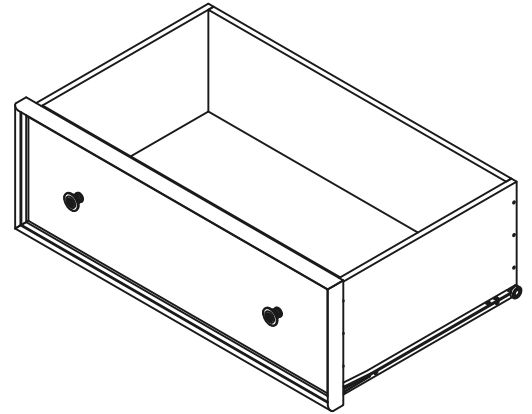
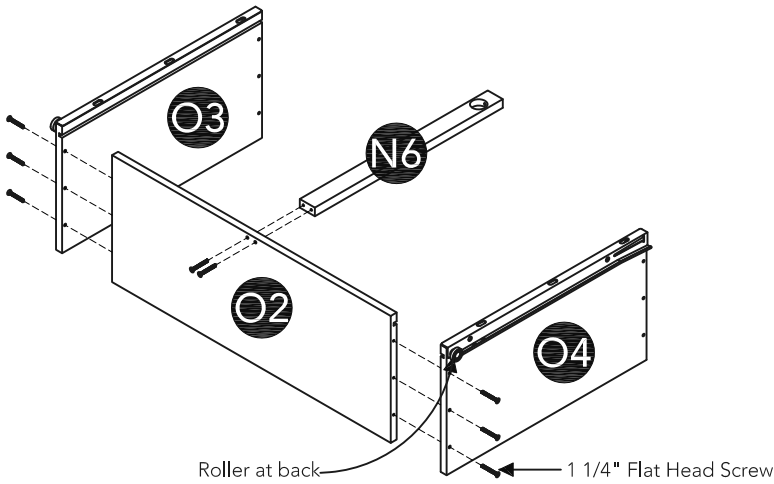


N6.  
Drawer Support  
2 pcs.



# Assembly Instructions 9/11

## Drawer (O)



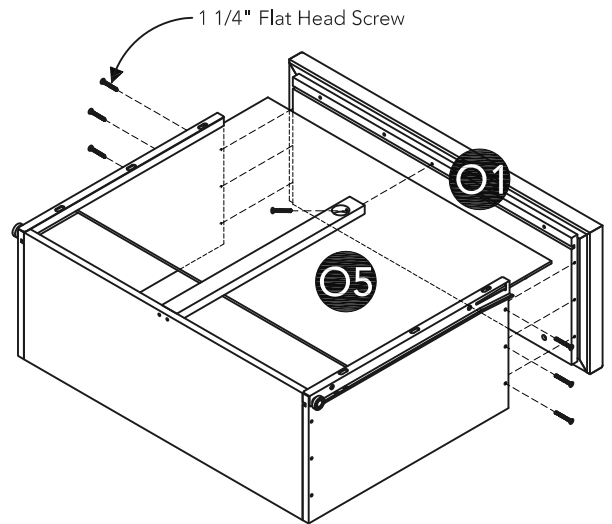
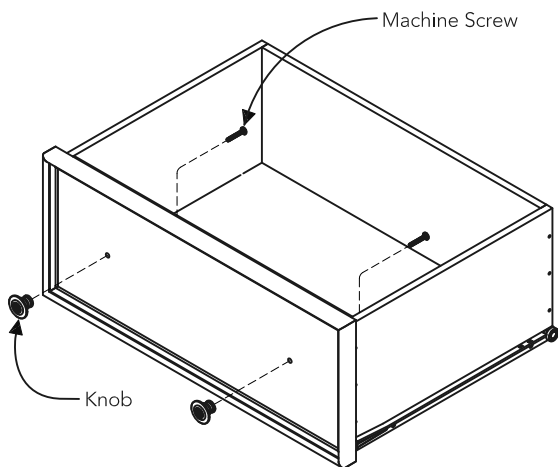
### STEP 14

Attach Drawer Sides (O3), (O4) and Drawer Support (N6) to Drawer Back (O2) with 1 1/4" Flat Head Screws.

### STEP 15

Insert Drawer Bottom (O5) into groove.

Attach Drawer Front (O1) to unit with 1 1/4" Flat Head Screws.

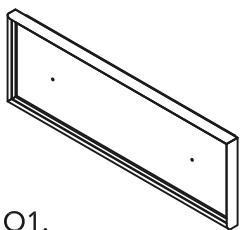


### STEP 16

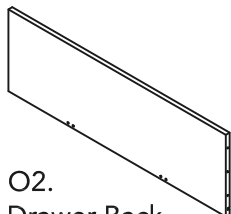
Attach Knobs with Machine Screws.

Note: Drawer assembly is not complete until 3/4" Flat Head Screws are used in a later step.

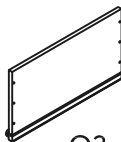
## Part List



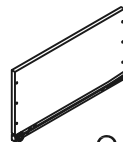
O1.  
Drawer Front  
4 pcs.



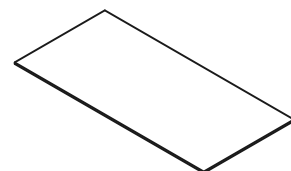
O2.  
Drawer Back  
4 pcs.



O3.  
Drawer Side  
4 pcs.



O4.  
Drawer Side  
4 pcs.



O5.  
Drawer Bottom  
4 pcs.

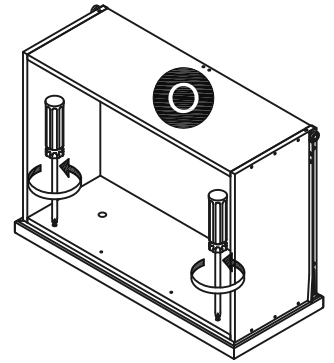
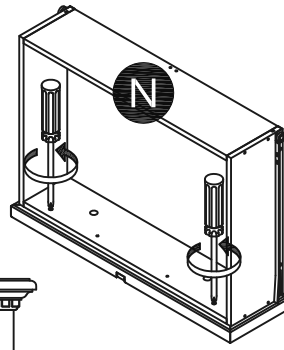
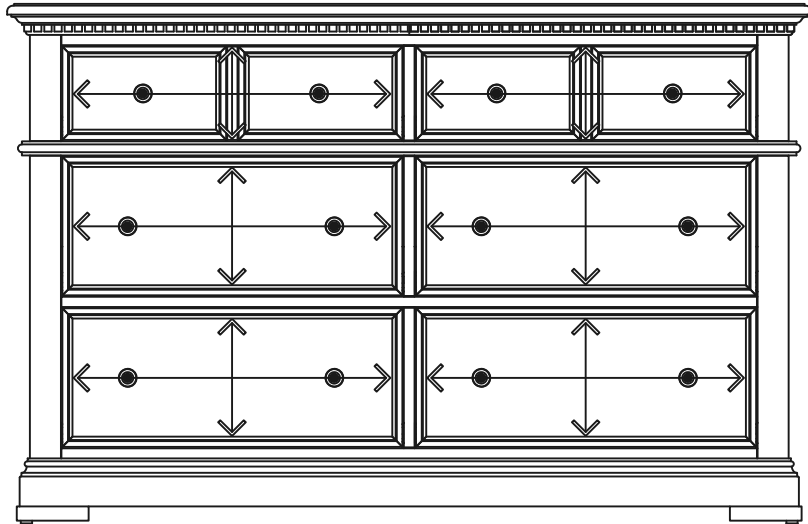


N6.  
Drawer Support  
4 pcs.

# Assembly Instructions 10/11

## STEP 17

Loosen slightly screws pre-installed on back of drawer fronts.



## STEP 18

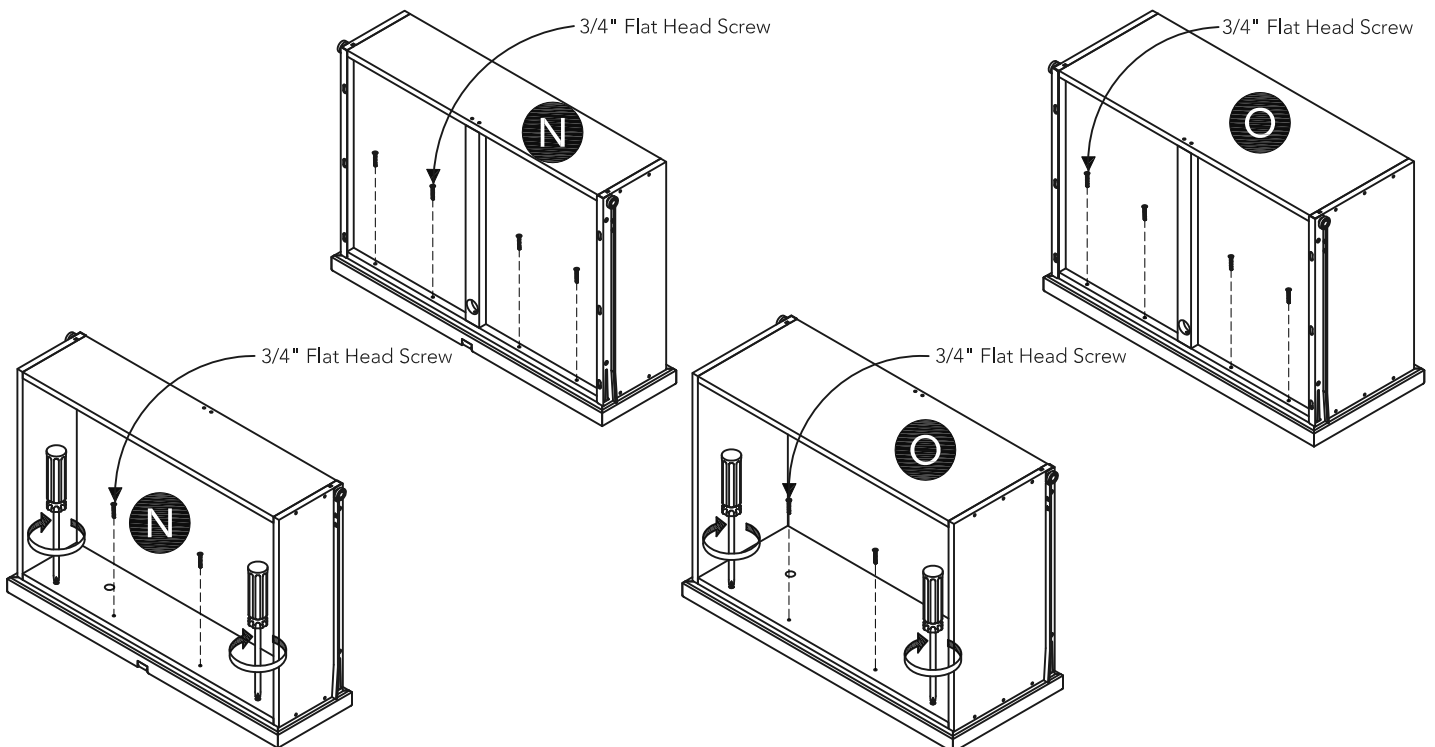
Insert drawers into unit, then adjust drawer front panels left or right and up or down until drawer gaps look proportional.

## STEP 19

Pull each drawer open slowly, then re-tighten screws from Step 17.

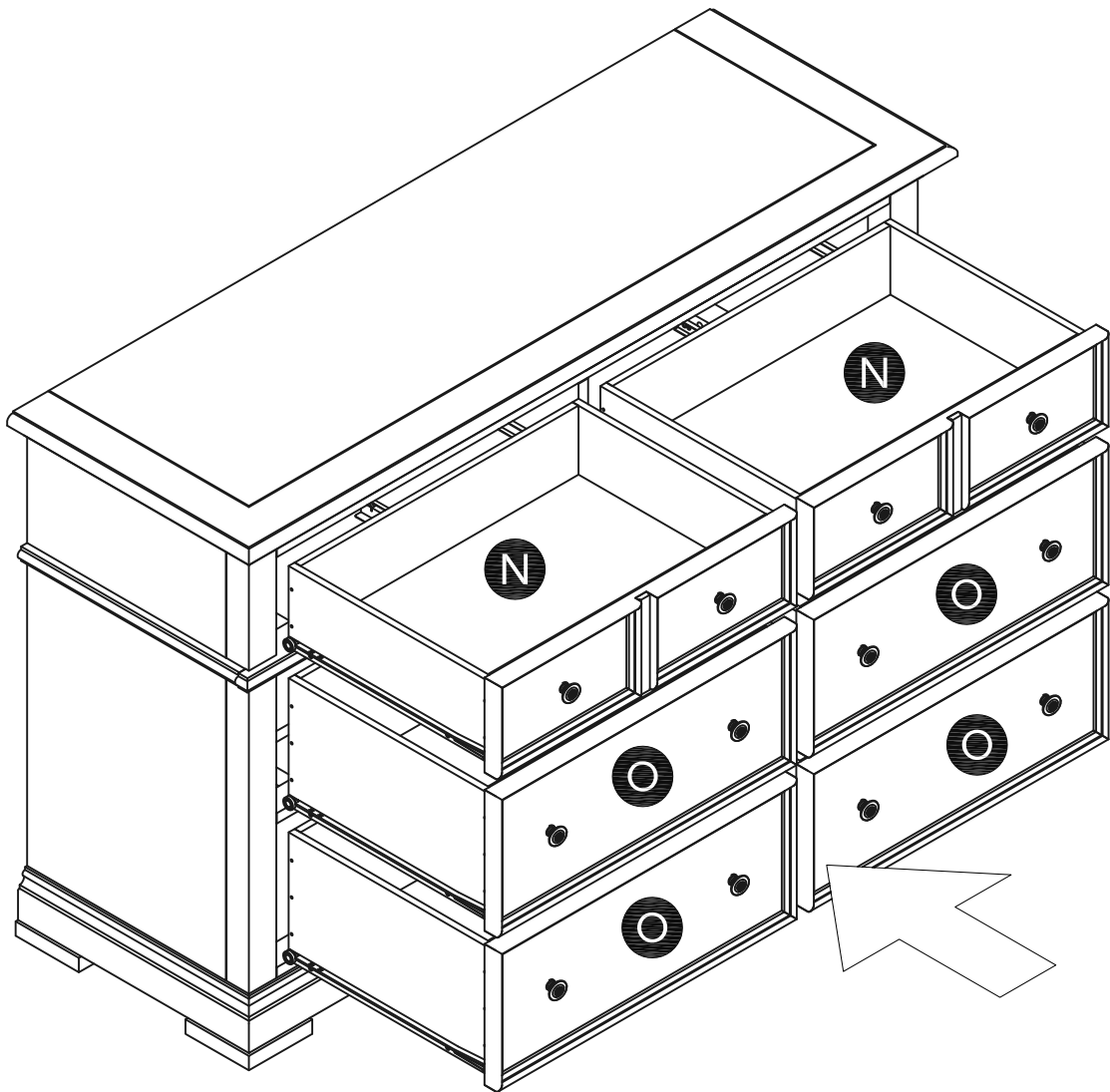
Make sure drawer front panels do not move and lock drawer front panels into position with 3/4" Flat Head Screws.

Note: These 3/4" Flat Head Screws must be installed to complete the drawer assembly.



STEP 20

Slide Drawers (N) and (O) into position.



# CARE INSTRUCTIONS

## NEVER

allow liquids to remain on furniture.  
Absorption causes parts to warp  
and split and finishes to delaminate.

## NEVER

use glass cleaners on  
finished furniture. Ammonia  
chemically attacks the finish.



Do not use power tools  
above 8 volts to assemble.

**PREVENT  
CRACKING**



Do not place  
in direct sunlight.

**PREVENT  
FADING**



Do not write  
directly on surface.

**PREVENT  
MARKING**



Do not place hot  
objects on surface.

**PREVENT  
FINISH DAMAGE**



Do not use rubber  
based placemats.

**PREVENT  
DISCOLORING**



Do not use commercial  
waxes and polishes.

**PREVENT  
YELLOWING**

## CLEAN

with a soft cloth moistened  
in lukewarm soap and water.  
Buff with a dry clean cloth.



Home Styles will provide replacements free of charge for missing or damaged hardware or parts within 30 days of purchase. Digital images of the defective parts may be required. If the product was not purchased from an authorized retail affiliate, Home Styles is under no obligation to provide replacement parts. Parts are not available for fully assembled items nor are parts available for sale. Replacements for missing or damaged hardware or parts may be requested at:

[www.homestyles-furniture.com/customer-service/replacement-parts](http://www.homestyles-furniture.com/customer-service/replacement-parts)

Home Styles Customer Service: [www.homestyles-furniture.com](http://www.homestyles-furniture.com),  
[servicedesk@homestyles-furniture.com](mailto:servicedesk@homestyles-furniture.com), 888-680-7460, 877-831-0319