

SAFETY INFORMATION

Please read and understand this entire manual before attempting to assemble, install or operate the product.

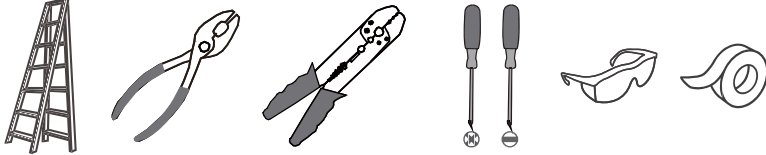
WARNING

- RISK OF ELECTRIC SHOCK - Before beginning installation, turn off electricity at the circuit breaker box or the main fuse box.
- RISK OF FIRE - Use bulbs specified by the markings and/or labels on the fixture.

CAUTION

- For your safety, read instructions completely before beginning installation.
- If in doubt about electrical installation, consult a licensed electrician.
- Turn off electricity to fixture before replacing the bulb(s).

TOOLS REQUIRED

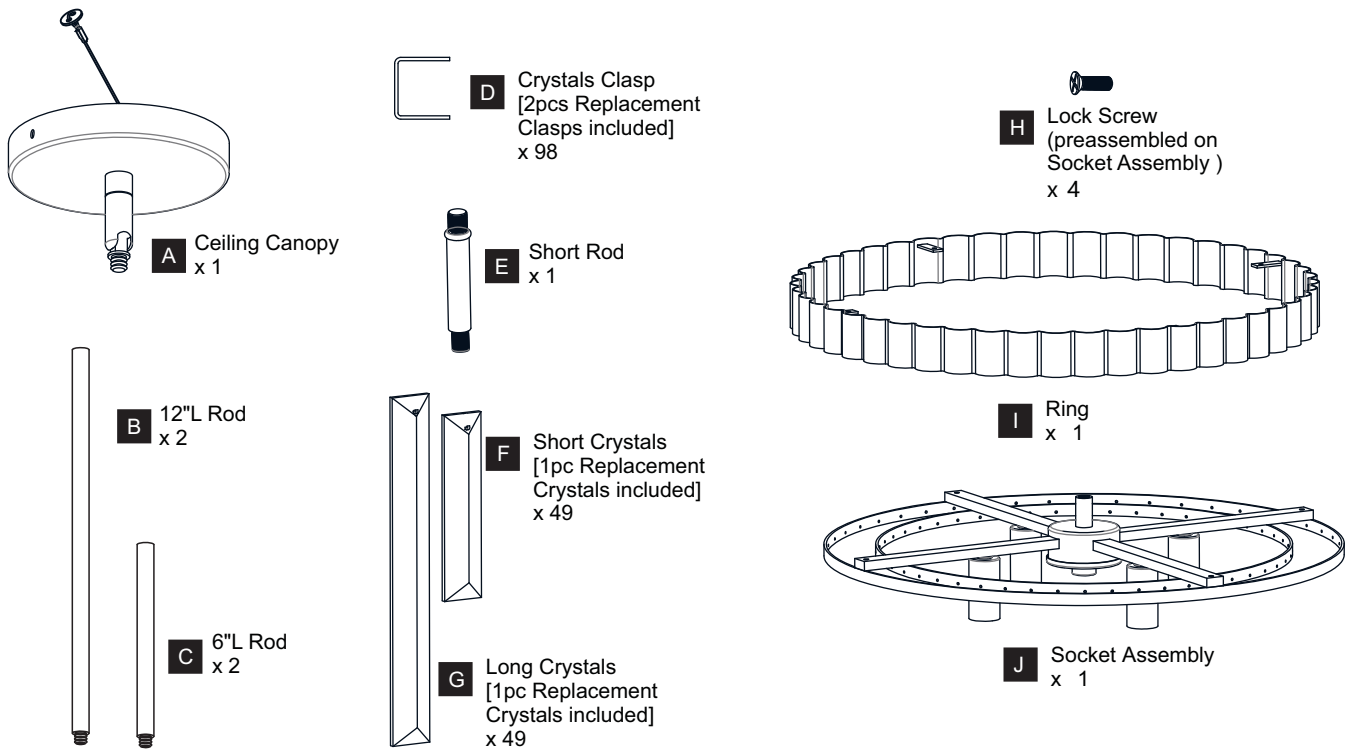


CARE AND MAINTENANCE

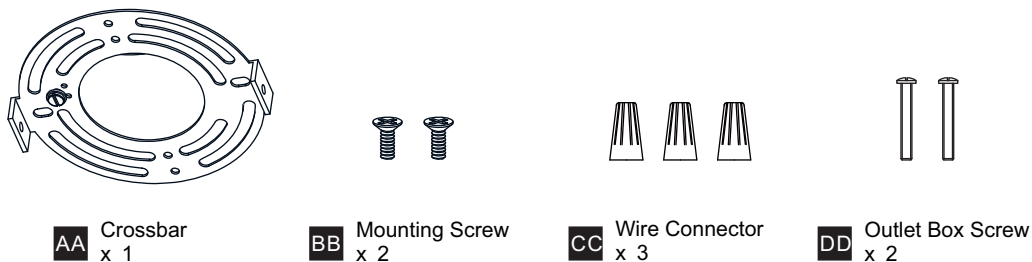
- Wipe clean using soft, dry cloth or static duster. Always avoid using harsh chemicals and abrasives to clean fixture as they may damage the finish.

If you need further assistance call Quozel Customer Care at 1-800-645-3184 (9:00am - 5:00pm EST), or visit us on-line at www.quezel.com.

PACKAGE CONTENTS



MOUNTING HARDWARE

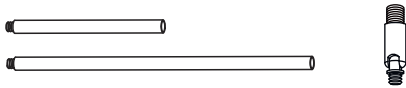


INSTALLATION

IMPORTANT: This CONVERTIBLE fixture can be mounted as pendant light or semi-flush light. **DO NOT CUT SUPPLY WIRES** if you intend to use it as pendant light.

OPTION 1: SEMI-FLUSH - QSF6742MBK and QSF6742BN

* Set aside (2) 6"L Rods and (2) 12"L Rods, swivel since they are not required for the semi-flush installation.



1 Remove Swivel

Set aside Swivel

2 Install Ceiling Canopy

Supply Wire

* Cut the supply wires leaving approximately 8" of wire extending from the ceiling canopy after assembly.

3 Install Crossbar

Outlet Box

4 Install Lanyard

Lanyard

Button Stop

5 Wiring

White wire from supply

White from fixture

Black (or red) wire from supply

Black from fixture

Ground wire from supply

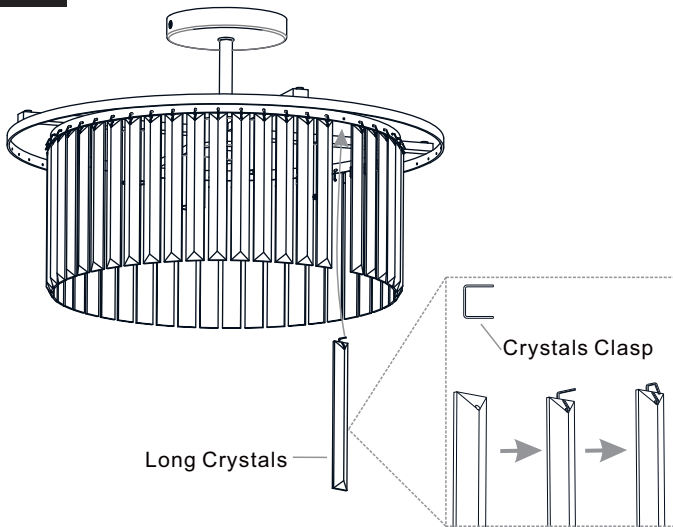
Ground wire from fixture

Green ground screw

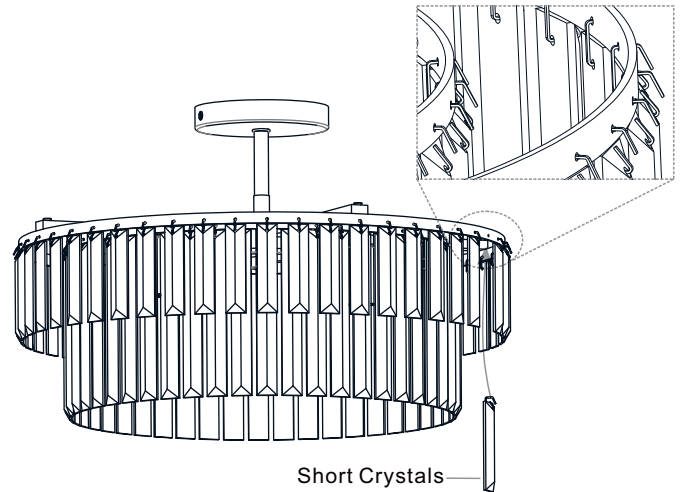
6 Install Ceiling Canopy to Crossbar Assembly

INSTALLATION

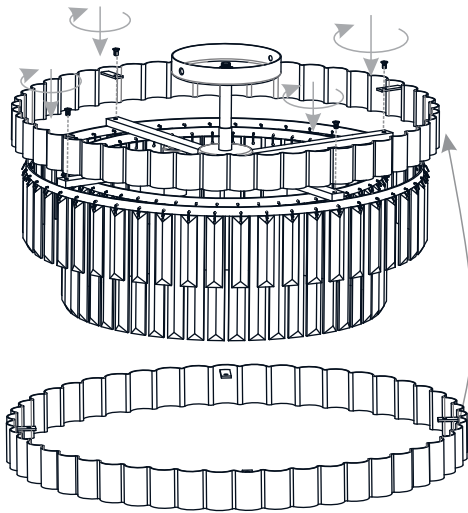
7 Install long Crystals



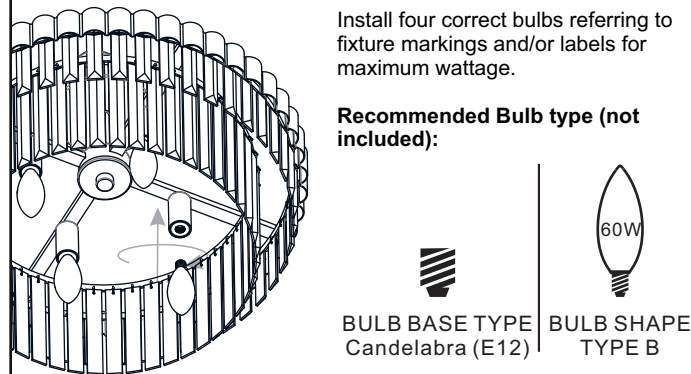
8 Install Short Crystals



9 Install Ring



10 Install Bulbs



Your installation is now complete! Restore electricity and save this sheet for future reference.

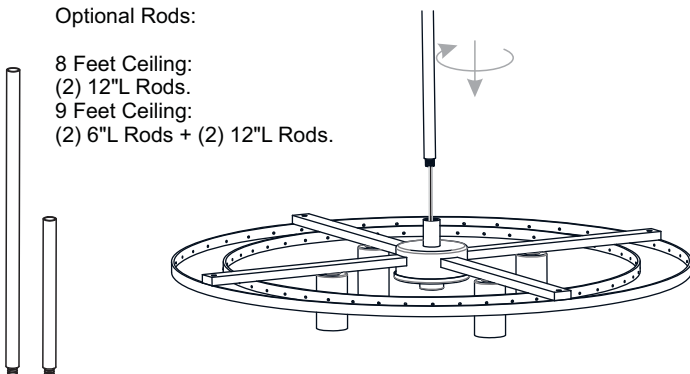
INSTALLATION

OPTION 2: PENDANT - QP6742MBK and QP6742BN

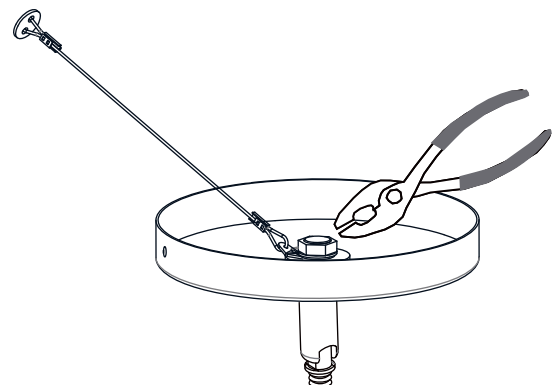
1 Install Rods

Optional Rods:

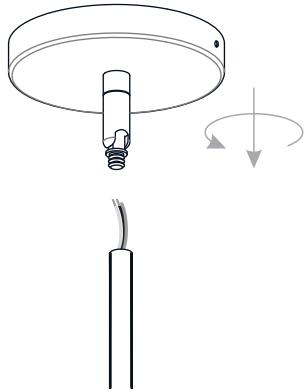
- 8 Feet Ceiling:
(2) 12"L Rods.
- 9 Feet Ceiling:
(2) 6"L Rods + (2) 12"L Rods.



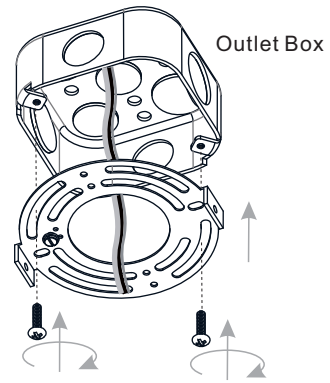
2 Tighten hex nut inside of the Ceiling Canopy



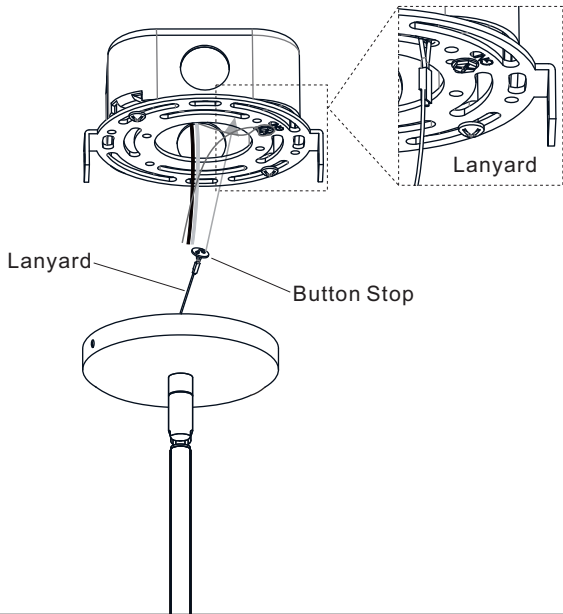
3 Install Ceiling Canopy to Upper Rod



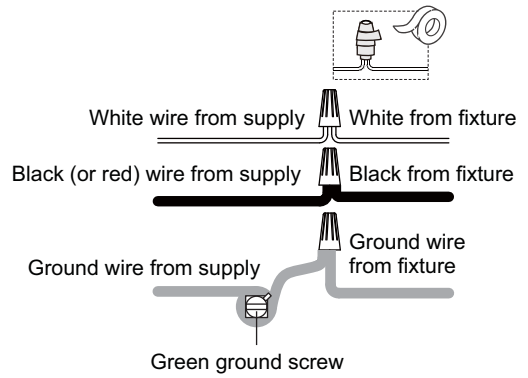
4 Install Crossbar Assembly



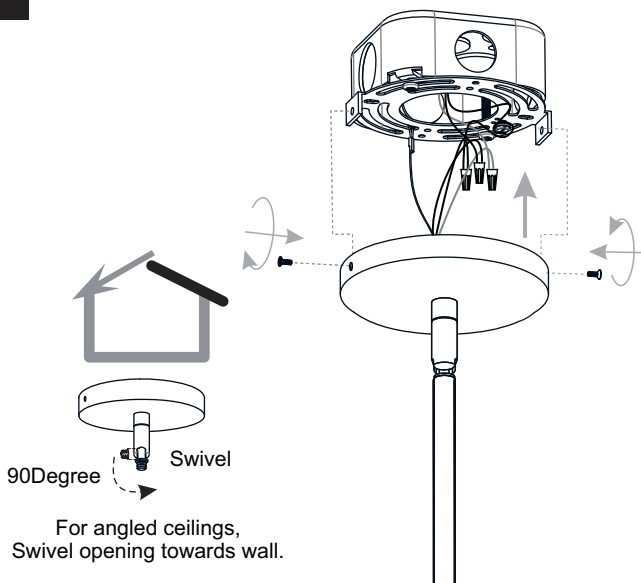
5 Install Lanyard



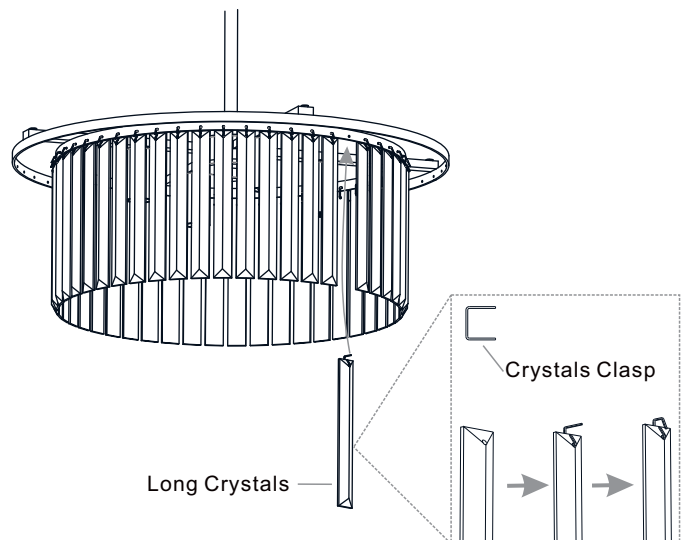
6 Wiring



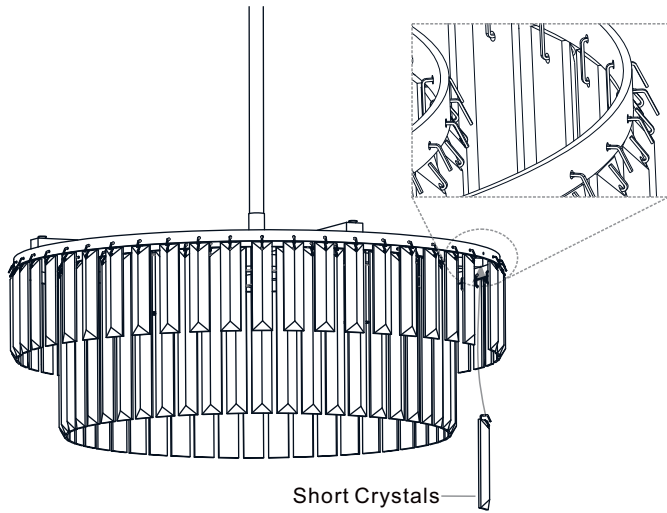
7 Install Ceiling Canopy to Crossbar



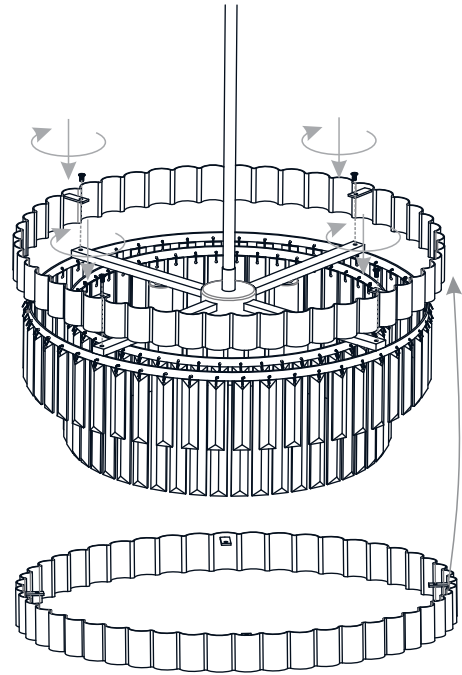
8 Install long Crystals



9 Install Short Crystals



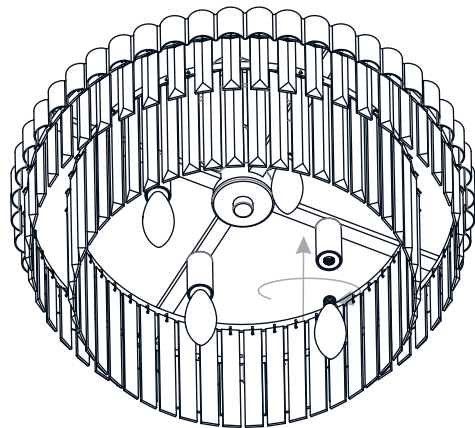
10 Install Ring



11 Install Bulbs

Install four correct bulbs referring to fixture markings and/or labels for maximum wattage.

Recommended Bulb type (not included):



Your installation is now complete! Restore electricity and save this sheet for future reference.