

How to Make a Tassel Using a Tassel Cap

A tassel cap is a metal top for a tassel; it holds cut yarns, and fringes of all kinds together to create a fashion forward, fun accessory. Hanging method varies depending on the tassel cap style. Some styles have chains or clasps already attached to the cap. Use tassels for key fobs, bags and totes, package decoration or create one-of-a-kind jewelry. Technique varies depending on the fringe style. Tassels add movement and excitement to a project. And they are easy and quick to make!



You will need the following per tassel:

- Fringe supplies:
Fringe, 7"–9" of any length OR
Leather or suede, 1 piece 6"–8" wide x desired length OR
Yarn, 2–4 yards depending on thickness
- Tassel Cap styles: #823, #824 or #826
- Tiny Phillips-head screwdriver
- Glue, such as E6000
- Rotary cutter, mat and grid-marked ruler to cut leather
- Scissors to trim fringe or yarn

Tassels caps shown at approximately full size.



TECHNIQUE TUTORIAL

Fringes can be constructed out of many things – leather, cut fringe, yarn, feathers and beaded fringe. Precut fringe and beaded fringe are already flat and ready to use. Other raw materials must be cut into fringed ends. Once cut, it is handled the same as precut fringe. If you are working with precut fringe, jump to “Assembling the tassel”. No cutting or prep is required, so that is your starting point.

CUTTING:

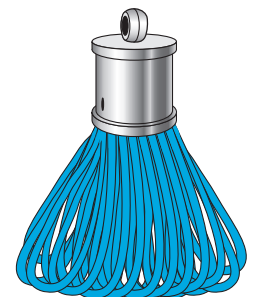
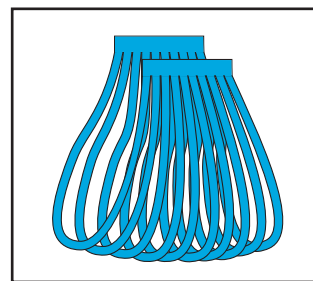
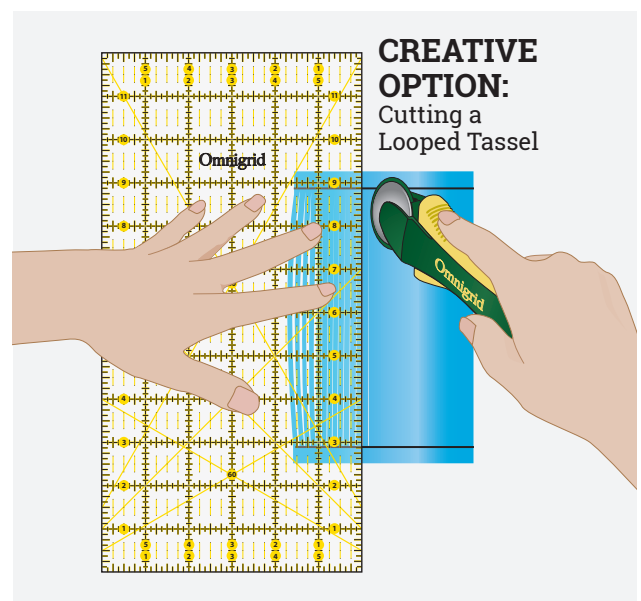
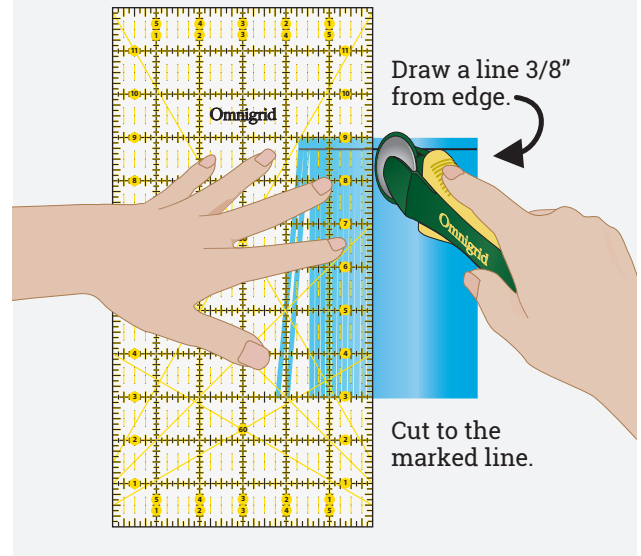
To make cut leather fringes:

Place leather on cutting mat. Draw a line about 3/8” from one end. Use rotary cutter and grid marked ruler to cut leather into 1/8” wide strips, stopping at the marked line. Do not cut through the top edge of the leather. See “Assembling the tassel” to finish your tassel.

CREATIVE OPTION: Looped Leather Tassel

Using the same method as in Step 1, cut only the center of the leather, leaving top and bottom edges connected. Fold cut leather in half, lining up top and bottom edges to create a looped tassel. Follow remaining steps to roll, glue and complete. This can also be done with other types of fringe.

CUTTING LEATHER FRINGES



Finished Appearance of Looped Tassel



TECHNIQUE TUTORIAL

To make cut yarn fringes:

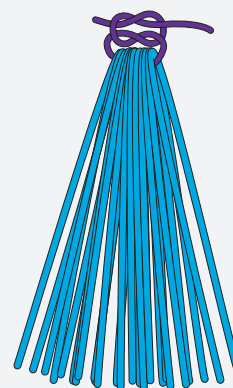
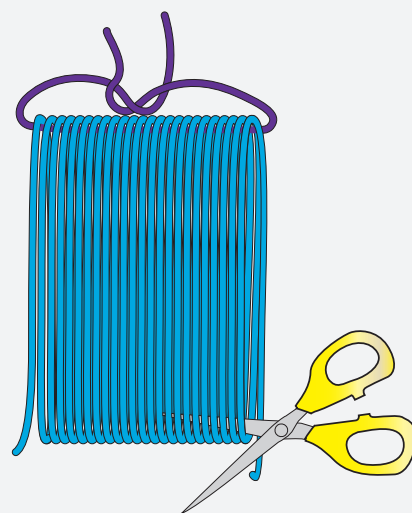
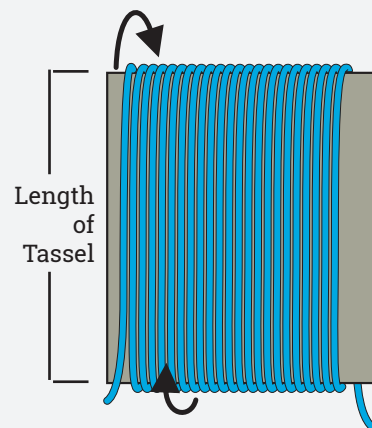
Wrap the yarn around a piece of cardboard cut to the desired length of the tassel.

Tie the top loops of yarn tightly together. Slide out the cardboard. Test to make sure the wrapped yarn fits inside the cap. If it does not fit, untie and wrap again. When the tied end fits snugly into the cap, cut the bottom loops of yarn, creating a tassel.

TIP:
Yarn varies in thickness, so it is difficult to tell exactly how much will fit into the cap. You may have to do this more than once to get the best fit.

The uncapped tassel looks like this. Skip to Assembling the tassel, step 4 to finish your tassel.

CUTTING YARN FRINGES



TECHNIQUE TUTORIAL

If you are working with precut fringe, start your tassel here. For leather or other creatively assembled fringe that has been cut to size, continue with step 1 below to assemble your tassel. If you are working with yarn, skip to step 4 to add the tassel cap.

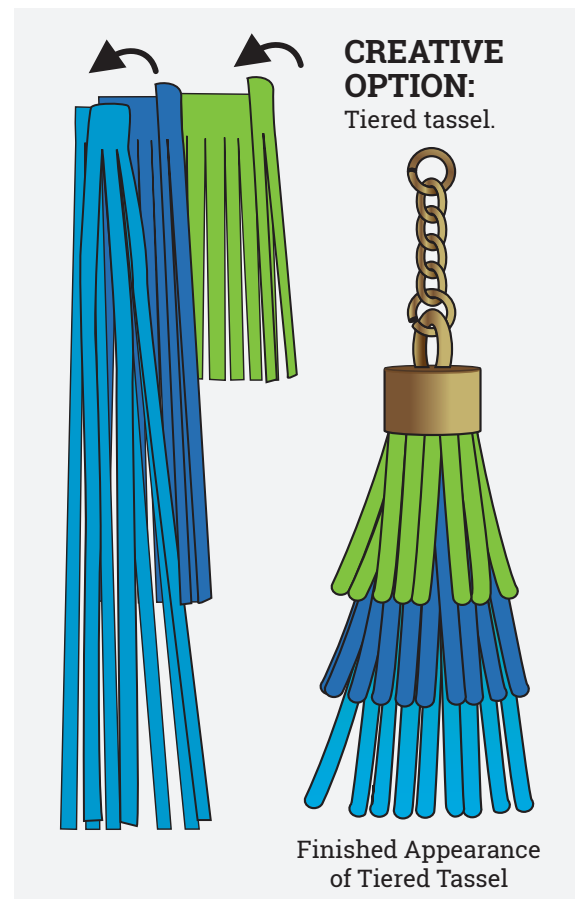
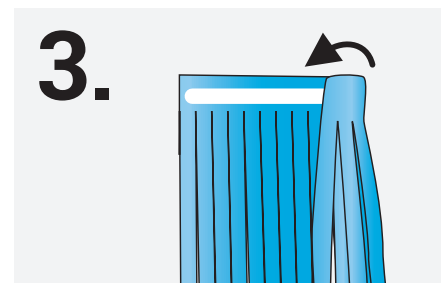
ASSEMBLING THE TASSEL:

1. Testing the size of the tassel: If you have not done so already, you must make sure the tassel will fit into the cap. To do this, tightly roll up the leather or fringe and insert into cap to test. Trim off any excess.

2. Gluing: For all flat fringe (precut fringes and cut leather fringes): Place the fringe flat on your work surface. Apply a line of glue along uncut edge of wrong side of fringe.

3. Rolling: Carefully roll up fringe. Make sure the top edge of the tassel is even as you roll. Use a clip to secure the top of the tassel or place a heavy book or other item on top of the rolled tassel to hold until glue is dry.

NOTE: Yarn cut fringes do not get glued or rolled as you have already created the tassel shape by tying the yarn together and you have already tested that your tassel will fit inside the cap.



CREATIVE OPTION: Tiered Tassel

Cut 3 separate pieces of leather, each a different length. Layer to create a 3-tiered tassel. Test the required size of each piece before gluing by rolling and inserting the layered leather into the cap. Adjust the size accordingly.



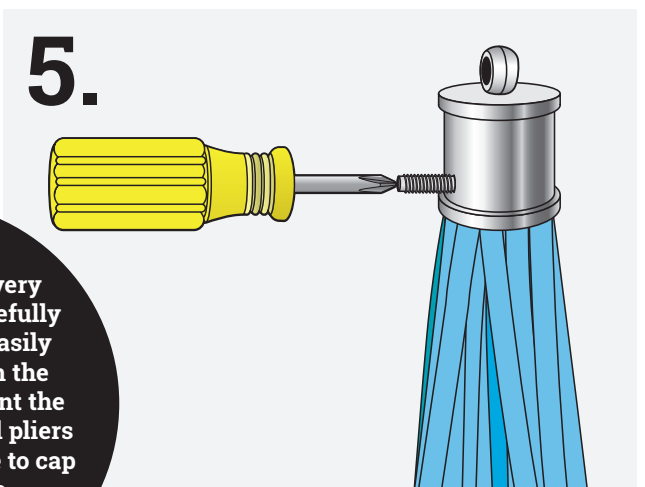
TECHNIQUE TUTORIAL

4. Inserting the tassel into the cap:

For all tassel styles, fill the cap about 1/4 full with glue. Immediately insert the top end of the tassel, pushing it into the cap until it stops. Allow the glue to solidify slightly before inserting set screw.

5. Finishing the tassel:

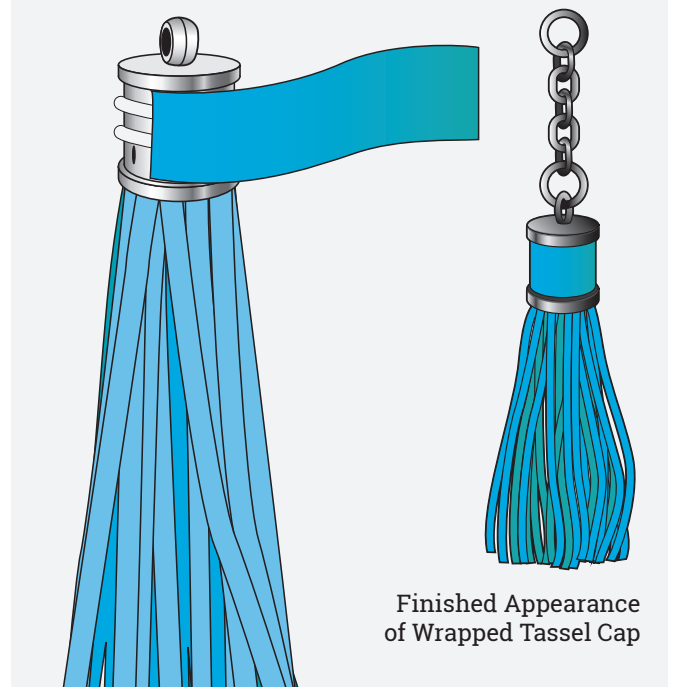
Carefully insert the set screw. Use a tiny Phillips-head screwdriver to gently turn the screw until it stops.



CAUTION:
Screw is tiny and very delicate. Do not forcefully turn it as you can easily strip the threads on the screw. To help prevent the stripping, use a small pliers to turn screw as close to cap as possible. Use screwdriver to finish inserting the screw.

CREATIVE OPTION: Wrapped tassel cap
Style 824: Add a contrasting or matching band around the indented sides of the cap. Cut leather, ribbon or fabric to fit the space. Test the fit before gluing. Sparingly apply a glue such as E6000 to the sides of the cap, and position the fabric strip, wrapping it evenly around cap. Allow to dry completely before handling.

CREATIVE OPTION:
Glue fabric around tassel cap.



Finished Appearance of Wrapped Tassel Cap



TECHNIQUE TUTORIAL

Be Creative! Add beads, feathers, sequins and assorted fibers to your tassel for ultimate flair. To be sure beads stay on the tassel ends, knot the thread below the bead or add a drop of glue.

