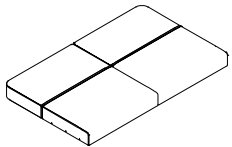
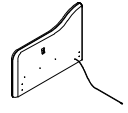
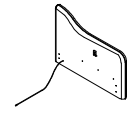
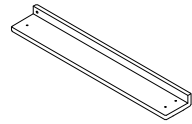
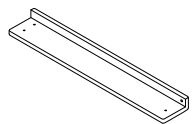

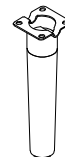
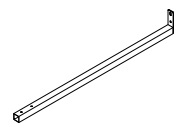
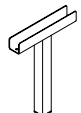
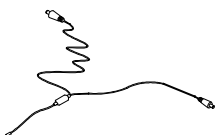
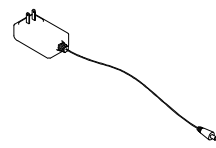
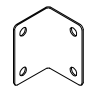
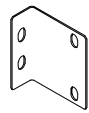











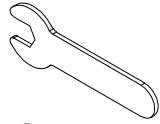
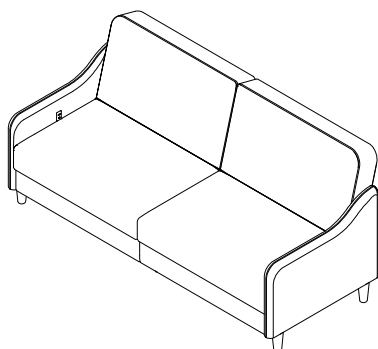


ASSEMBLY INSTRUCTION

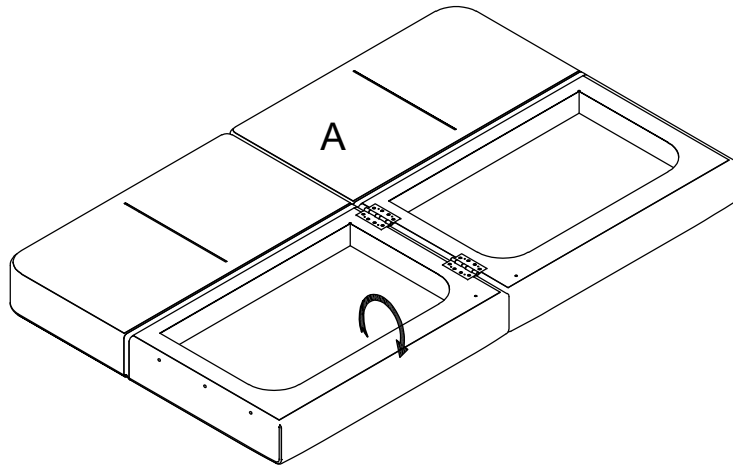
SOFA BED WITH USB-A & USB-C CHARGER

| | | | |
|--|--|---|---|
| A Back & Seat  1PC | B LSF Arm  1PC | C RSF Arm  1PC | D LSF Front Panel  1PC |
| E RSF Front Panel  1PC | F Leg  1PC | G Middle Leg  1PC | H Rail  1PC |
| I Support Leg  1PC | J Y-Cable  4PCS | K Adaptor  2PCS | L Bracket 55 x 50 x 50mm  2PCS |
| M Bracket 37 x 96 x 110mm  1PC | N Bolt 5/16" x 100mm  1PC | O Bolt M6 x 6mm  1PC | P Bolt M6 x 15mm  2PCS |
| Q Bolt 5/16" x 22mm  1PC | R Bolt 5/16" x 40mm  6PCS | S Nut 1/4"  8PCS | T Spring Washer 5/16"  4PCS |
| U Flat Washer 5/16"  14PCS | V Plastic Washer M8  2PCS | W L-Allen Key 5mm  6PCS | X L-Allen Key 4mm  22PCS |
| Y Wrench 5/16"  1PC | | | |

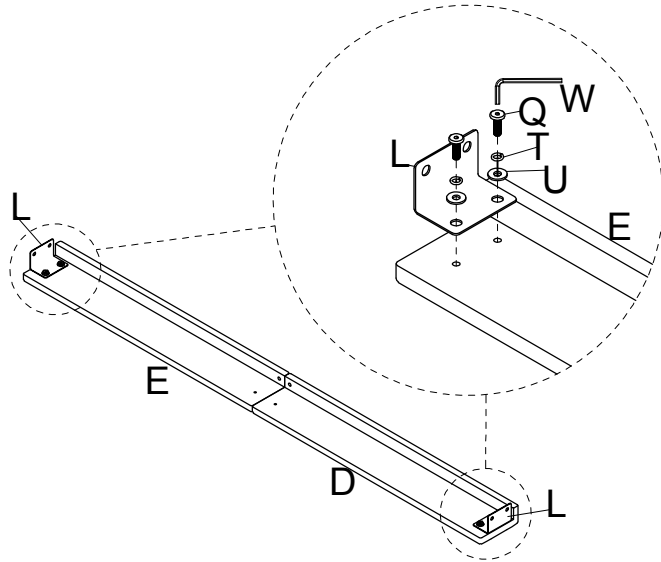


This page lists all the contents included in the box. Please take the time to identify the hardware as well as the individual components to this product. As you unpack and prepare for assembly, place the contents on a carpeted or padded area to protect them from damage.

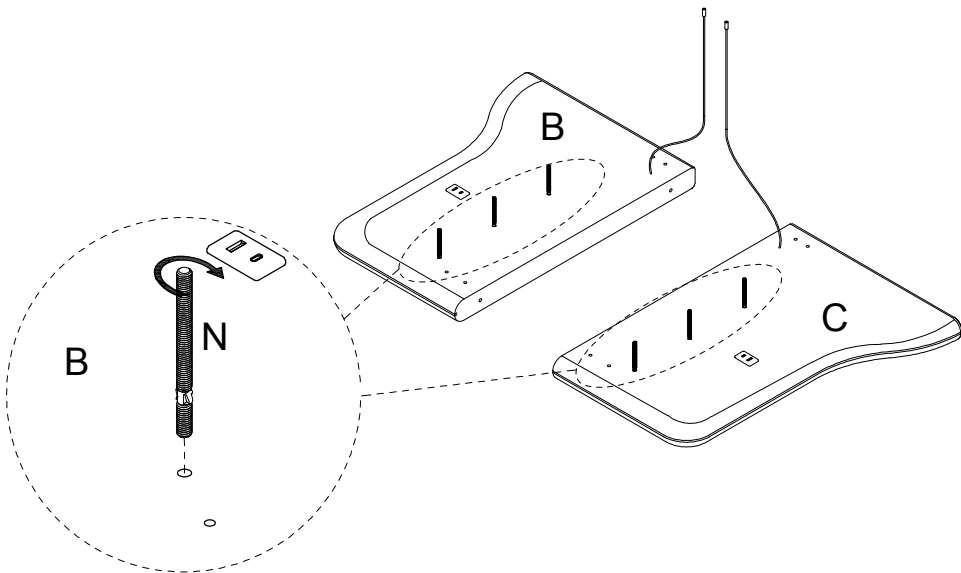
1 Take out Leg (F), Middle Leg (G), Support Leg (I), Y-Cable (J), Adaptor (K) and hardware pack from Back & Seat (A).



2 Attach Bracket (L) to LSF & RSF Front Panel (D & E) using Bolt (Q), Spring Washer (T) and Flat Washer (U) with L-Allen Key (W).

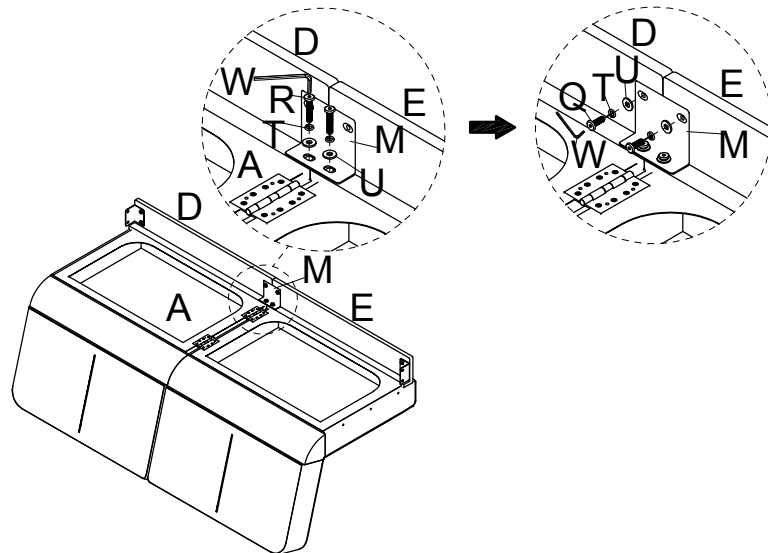


3 Insert Bolt (N) into LSF & RSF Arm (B & C) by turning clockwise.

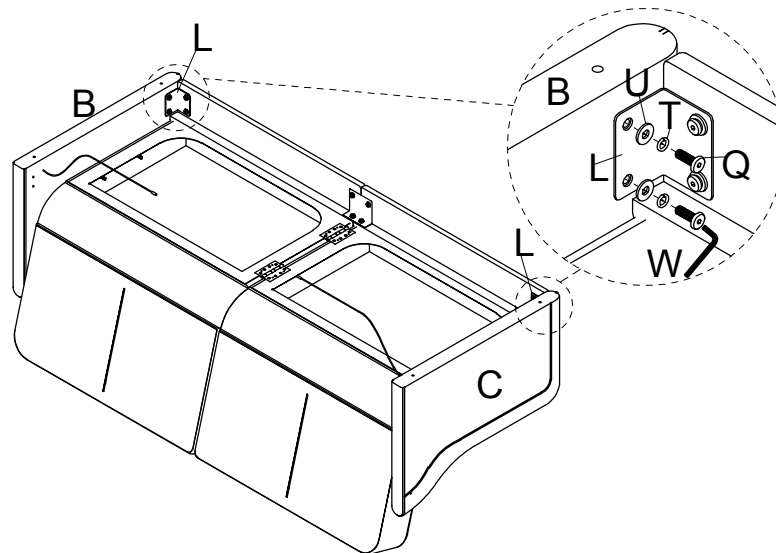


4

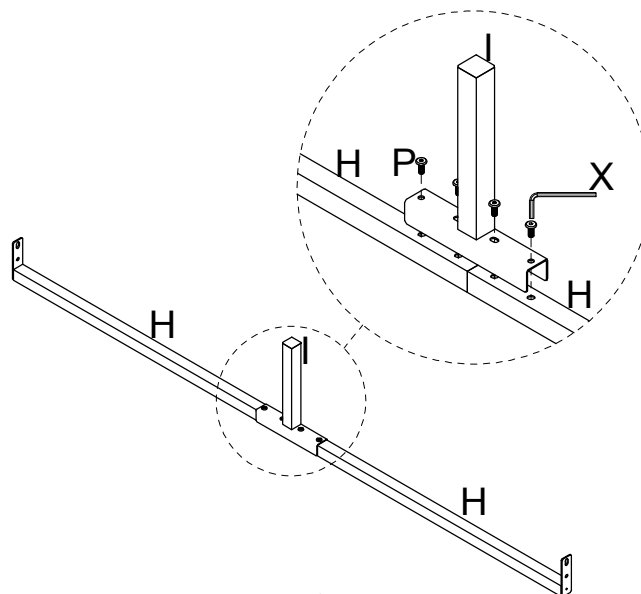
Attach Bracket (M) to LSF & RSF Front Panel (D & E) and Back & Seat (A) using Bolt (R & Q), Spring Washer (T) and Flat Washer (U) with L-Allen Key (W).

**5**

Attach LSF & RSF Arm (B & C) to Bracket (L) using Bolt (Q), Spring Washer (T) and Flat Washer (U) with L-Allen Key (W).

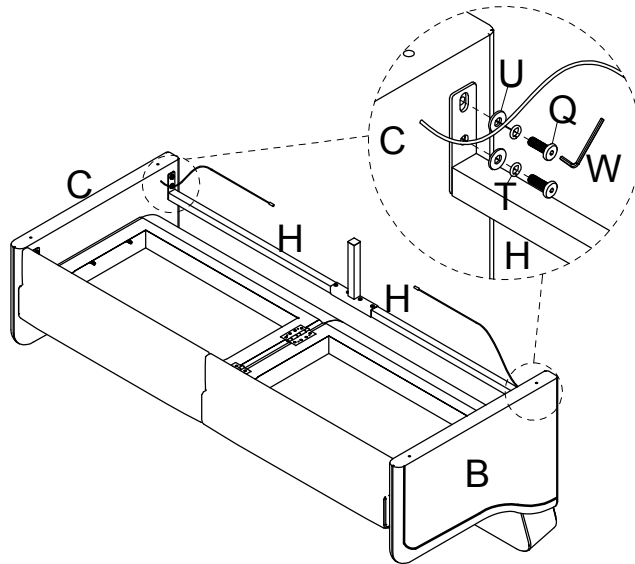
**6**

Attach Support Leg (I) to Rail (H) using Bolt (P) with L-Allen Key (X).

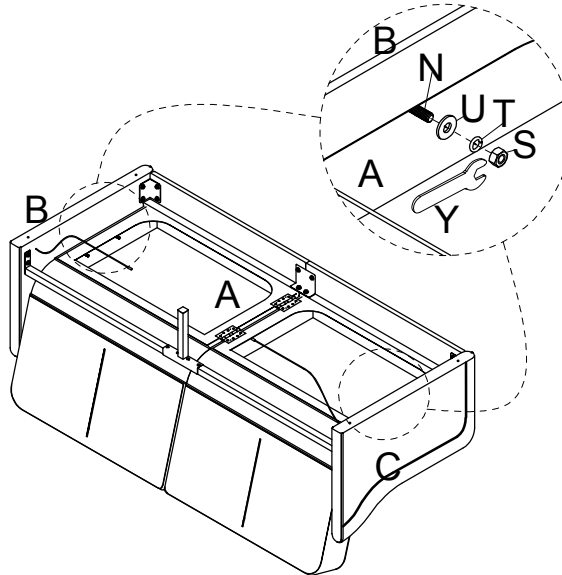


7

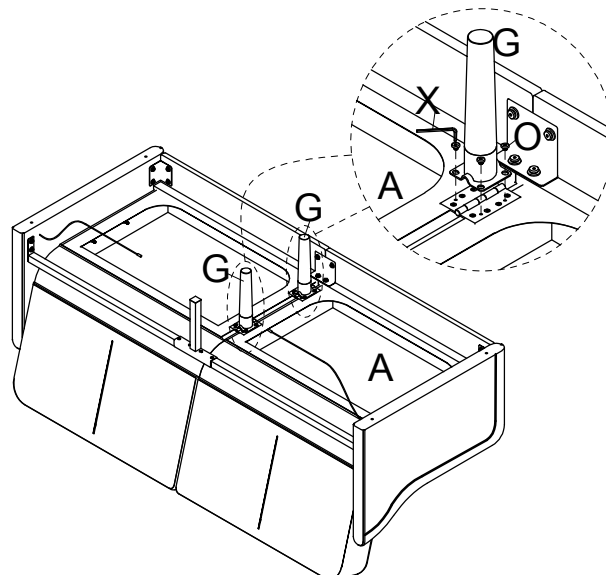
Attach Rail (H) to LSF & RSF Arm (B & C) using Bolt (Q), Spring Washer (T) and Flat Washer (U) with L-Allen Key (W).

**8**

Attach LSF & RSF Arm (B & C) to Back & Seat (A) using Bolt (N), Flat Washer (U), Spring Washer (T) and Nut (S) with Wrench (Y).

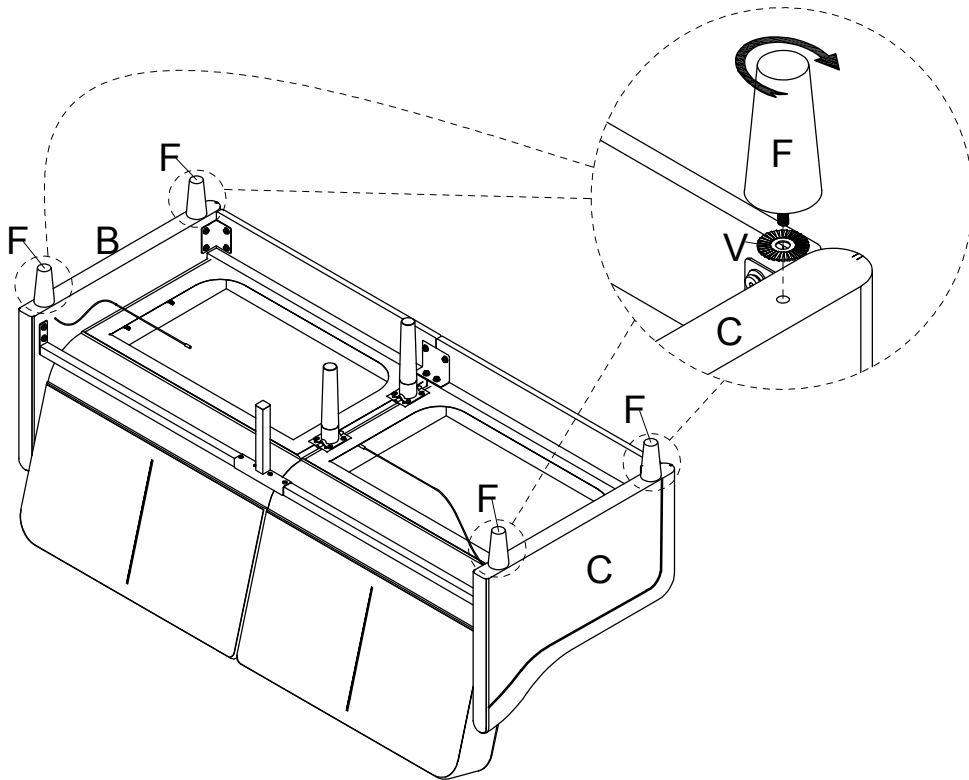
**9**

Attach Middle Leg (G) to Back & Seat (A) using Bolt (O) with L-Allen Key (X).

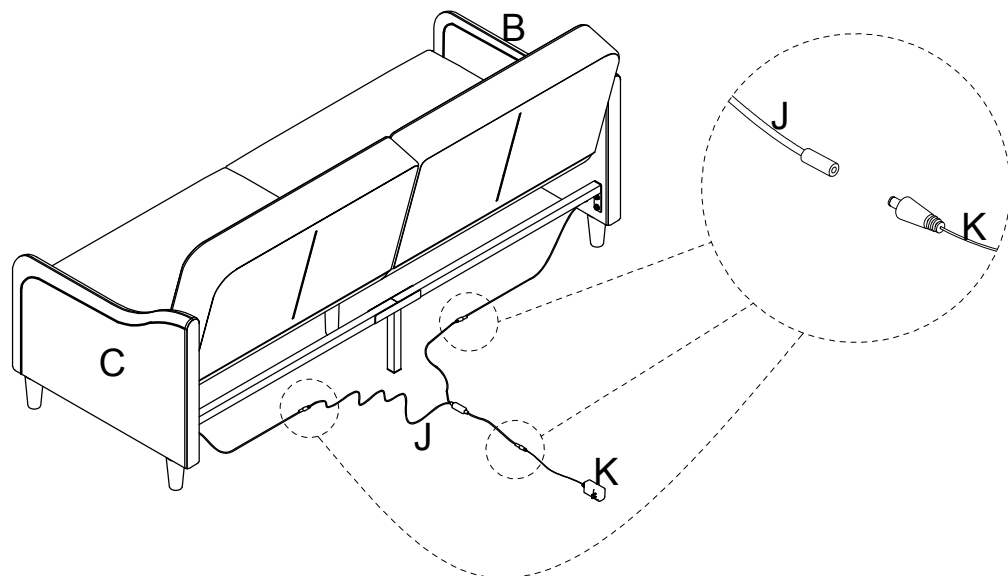


10

Attach Leg (F) to LSF & RSF Arm (B & C) by Plastic Washer (V) and turn clockwise.

**11**

Connect the wire connector of LSF & RSF Arm (B & C) to Y-Cable (J). Then connect Adaptor (K) to Y-Cable (J).



Cleaning & Care

Treat surfaces with care. Surfaces are resistant to scratches but are not scratch resistant. Clean surfaces with a dry or damp soft cloth. Do not use abrasive cleaners. Hardware may loosen over time. Periodically check that all connections are tight.