


Location:



1-250VT-H401-V
1 Hand Shower System
Specification Submittal



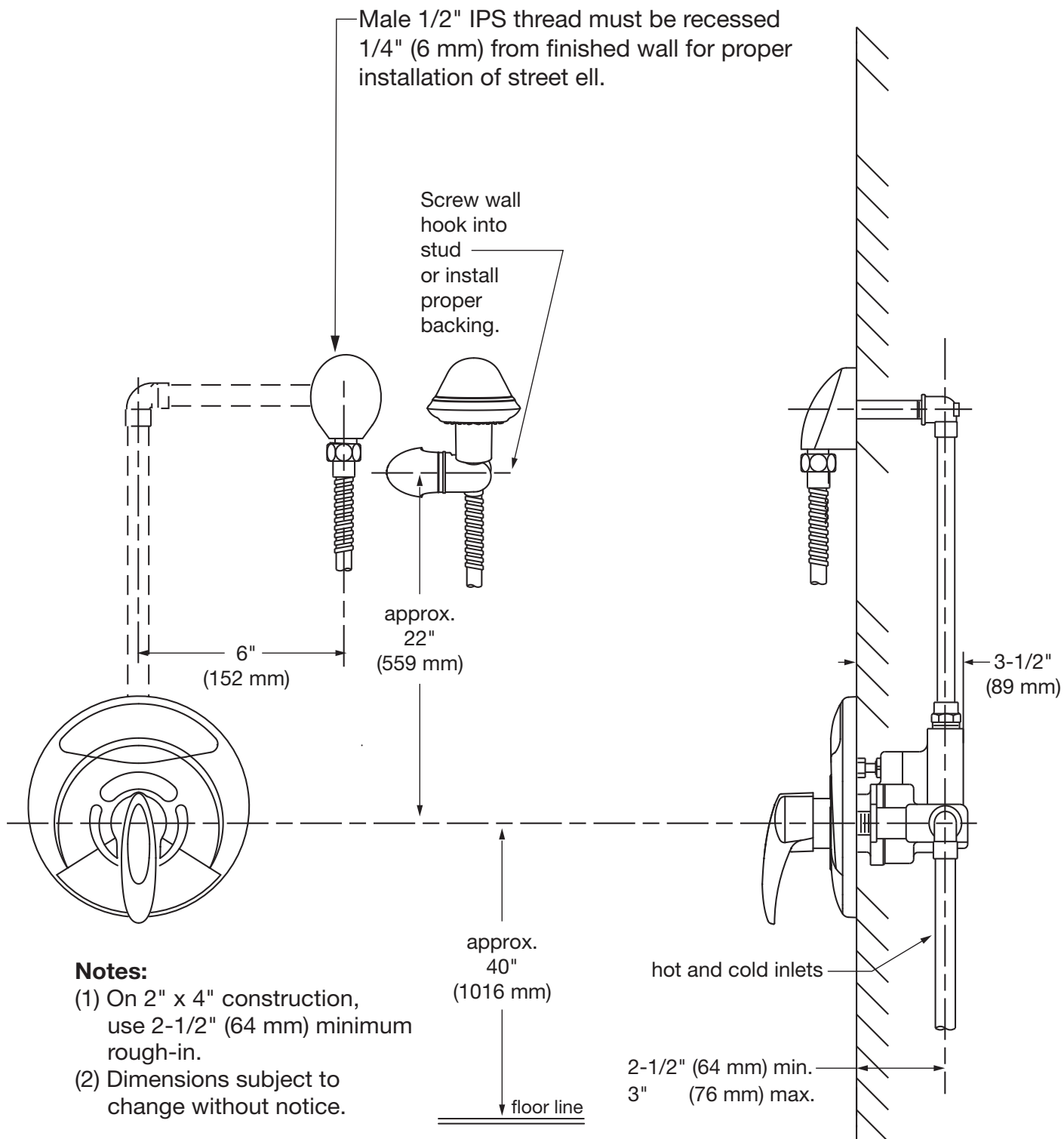
Model Numbers	Feature Highlights
<input type="checkbox"/> 1-250VT-401-V Shower and Hand Shower System with Symmons Visu-Temp® pressure balancing mixing valve	<ul style="list-style-type: none"> • Visu-Temp Pressure Balancing valve • Adjustable stop screw to limit handle turn • Metal lever handle • 1 mode hand shower wand • Cradle for hand shower • 60" flexible metal hose • Standard 2.0 gpm (7.6 L/min) flow restrictor • Shall be metal and nonmetallic construction • Plated in standard polished chrome finish
Options/Modifications	
<input type="checkbox"/> -1.5 1.5 gpm (5.7 L/min) flow restrictor <input type="checkbox"/> -STN Satin Nickel finish <input type="checkbox"/> -TRM Trim only <input type="checkbox"/> -X Integral service stops - allows water shutoff at valve for service <input type="checkbox"/> -X-3/4 3/4" valve to increase flow approx. 20% <input type="checkbox"/> -X-CHKS Integral check stops - for use in installations where a positive shut-off device is used downstream of mixing valve	<h3>Warranty</h3> <p>Limited Lifetime - to the original end purchaser in consumer/residential installations. 10 Years - for commercial/industrial installations. Refer to www.symmons.com/warranty for complete warranty information.</p> 
<p>Note: Append appropriate -suffix to model number.</p>	

Architectural/ Engineering Specification

Symmons Visu-Temp 1 Hand Shower System _____ Includes Visu-Temp Pressure Balancing valve, Adjustable stop screw to limit handle turn, Metal lever handle, 1 mode hand shower wand, Cradle for hand shower, 60" flexible metal hose, Standard 2.0 gpm (7.6 L/min) flow restrictor, Shall be metal and nonmetallic construction, Plated in standard polished chrome finish. 10 Year Commercial Warranty. ASME A112.18.1/CSA B125.1 compliant. Available options: "1.5 - 1.5 gpm (5.7 L/min) flow restrictor", "STN - Satin Nickel finish", "TRM - Trim only", "X - Integral service stops - allows water shutoff at valve for service", "X-3/4 - 3/4" valve to increase flow approx. 20%", "X-CHKS - Integral check stops - for use in installations where a positive shut-off device is used downstream of mixing valve".

Dimensions

Visu-Temp Hand Shower, 1-250VT-H401-V



Note: Dimensions subject to change without notice.