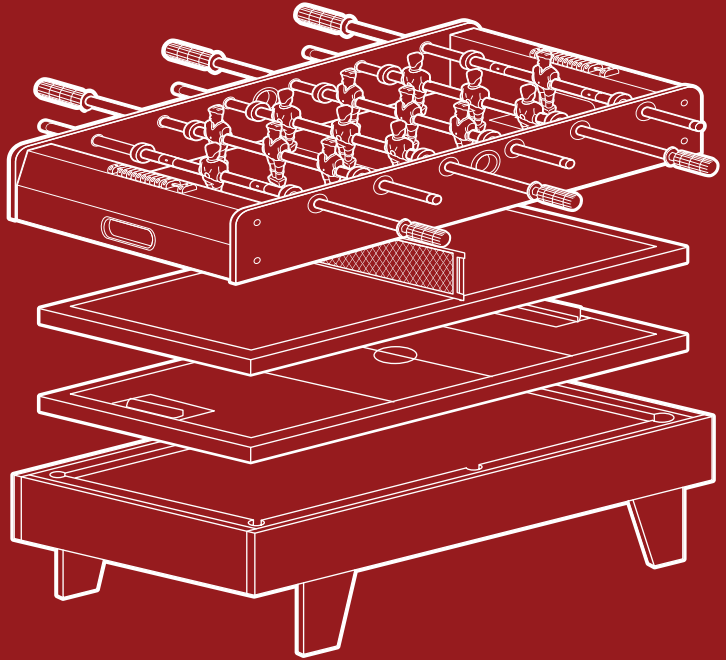




BEST CHOICE  
PRODUCTS



# INSTRUCTION MANUAL

---

4-in-1 Table Game Set



Fasten screws loosely during assembly. Do not firmly tighten screws until item is fully assembled.

[bestchoiceproducts.com](http://bestchoiceproducts.com)



## WARNING

**CHOKING HAZARD** - Toy contains a small ball. Not for children under 3 years old.



## WARNING

**CHOKING HAZARD** - Small parts. Not for children under 3 years old.



## WARNING

**ADULT ASSEMBLY REQUIRED**

## ! NOTICE

Please retain these instructions for future reference.

- Do not stand on or use any part of this set as a step ladder.
- Firmly secure all bolts, screws, and knobs before use.
- Reconfirm that all bolts, screws, and knobs are secure every 90 days.
- Be aware that some parts are heavy and have sharp edges.
- Do not use or store this item in the proximity of open flame or flammable/combustible chemicals.
- If any parts are missing, broken, damaged, or worn, stop using this product until repairs are made and/or factory replacement parts are installed.
- Do not use this item in a way inconsistent with the manufacturer's instructions as this could void the product warranty.
- This product is intended for residential use only.

## TOOLS REQUIRED



ALLEN WRENCH  
(PROVIDED)



3 YEARS  
OLD AND UP



1 PERSON  
ASSEMBLY



UP TO 60 MIN.  
ASSEMBLY

## HARDWARE

### 1 M6 x 25MM SCREW SET



16 PCS

### 2 M3.5 x 18MM SCREW



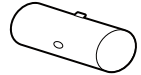
18 PCS

### 3 M3.5 x 25MM SCREW



4 PCS

### 4 STOP RING



4 PCS

### 5 BUMPER



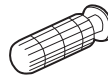
12 PCS

### 6 END CAP



6 PCS

### 7 HANDLE



6 PCS

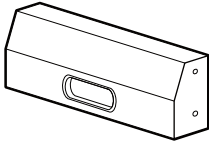
### 8 DOWEL



8 PCS

# PARTS

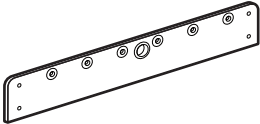
**A** END PANEL



2 PCS

The end panel is a rectangular component with a handle cutout on one side and a small circular hole on the other.

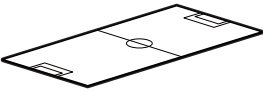
**B** SIDE PANEL



2 PCS

The side panel is a long, thin rectangular component with several circular holes along its length.

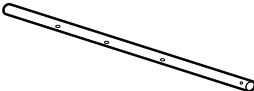
**C** FOOSBALL PLAYFIELD



1 PC

The foosball playfield is a rectangular board with a central circle and two small rectangular markings near the ends.


**D** PLAYER ROD



6 PCS

The player rod is a long, thin cylindrical component with several small holes along its length.


**E** PLAYER (RED)



7 PCS

The red player is a small, stylized figure of a player in a red jersey and white pants.

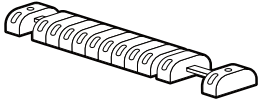
**F** PLAYER (BLUE)



7 PCS

The blue player is a small, stylized figure of a player in a blue jersey and white pants.

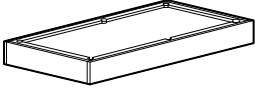
**G** SCORER



2 PCS

The scorer is a long, thin component with a series of curved, spring-like segments and a small rectangular piece at one end.


**H** BILLIARDS PLAYFIELD



1 PC

The billiards playfield is a rectangular board with a central circle and two small rectangular markings near the ends.

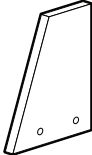
**I** LEFT LEG



2 PCS

The left leg is a trapezoidal component with two small circular holes near the bottom.

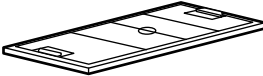
**J** RIGHT LEG



2 PCS

The right leg is a trapezoidal component with two small circular holes near the bottom.

**K** HOCKEY/TABLE TENNIS PLAYFIELD



1 PC

The hockey/table tennis playfield is a rectangular board with a central circle and two small rectangular markings near the ends.

# ACCESSORIES

CUE STICK



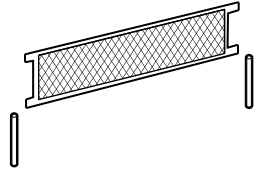
2 PCS

TRIANGLE



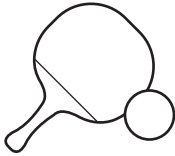
1 PC

TABLE TENNIS NET



1 SET

TABLE TENNIS  
PADDLE/BALLS



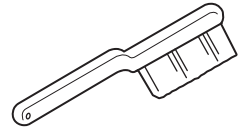
1 SET

SOCCER BALL



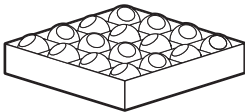
2 PCS

BRUSH



1 PC

BILLIARD BALLS



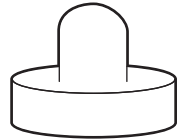
1 SET

HOCKEY PUCK



2 PCS

HOCKEY PUSHER



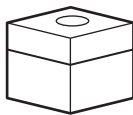
2 PCS

FELT PAD



2 PCS

CHALK



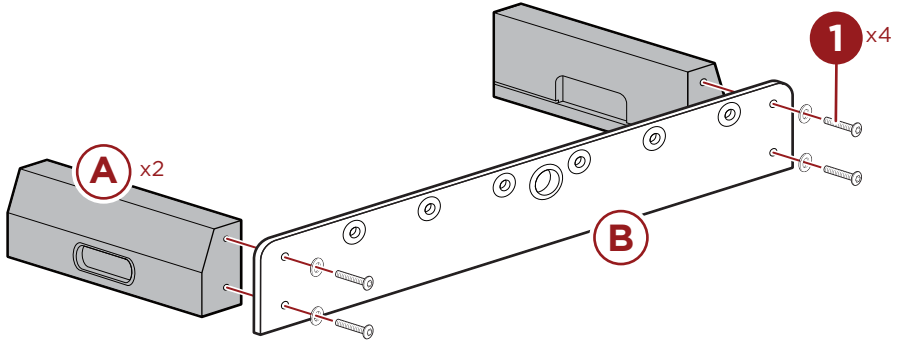
2 PCS

## PRODUCT ASSEMBLY

1

Attach a **part B side panel** to two **part A end panels** with four **part 1 screw sets**.

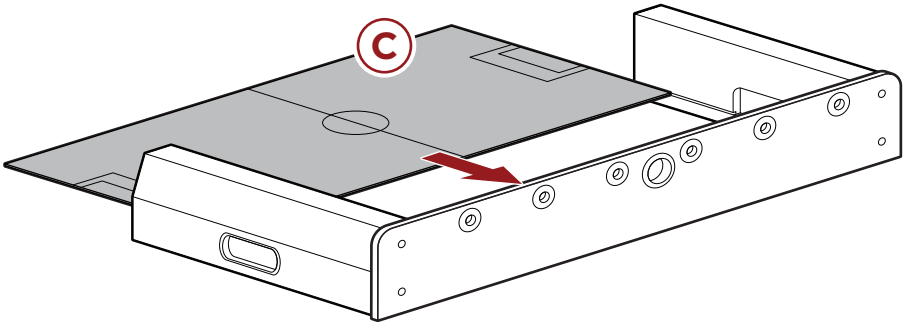
**NOTE:** Do not fully tighten screws in this step.



2

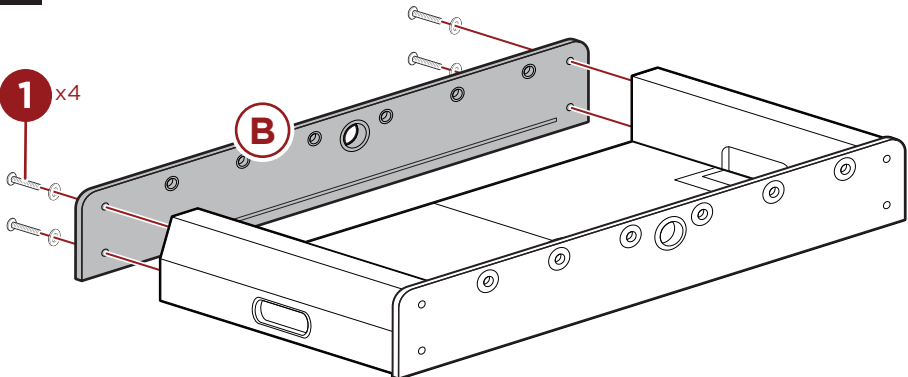
Slide the **part C foosball playground** into the designated slots on the end panels.

**NOTE:** If necessary, adjust the spacing of the end panels so the playground properly slides in.



3

Attach the other **part B side panel** with four **part 1 screw sets**.

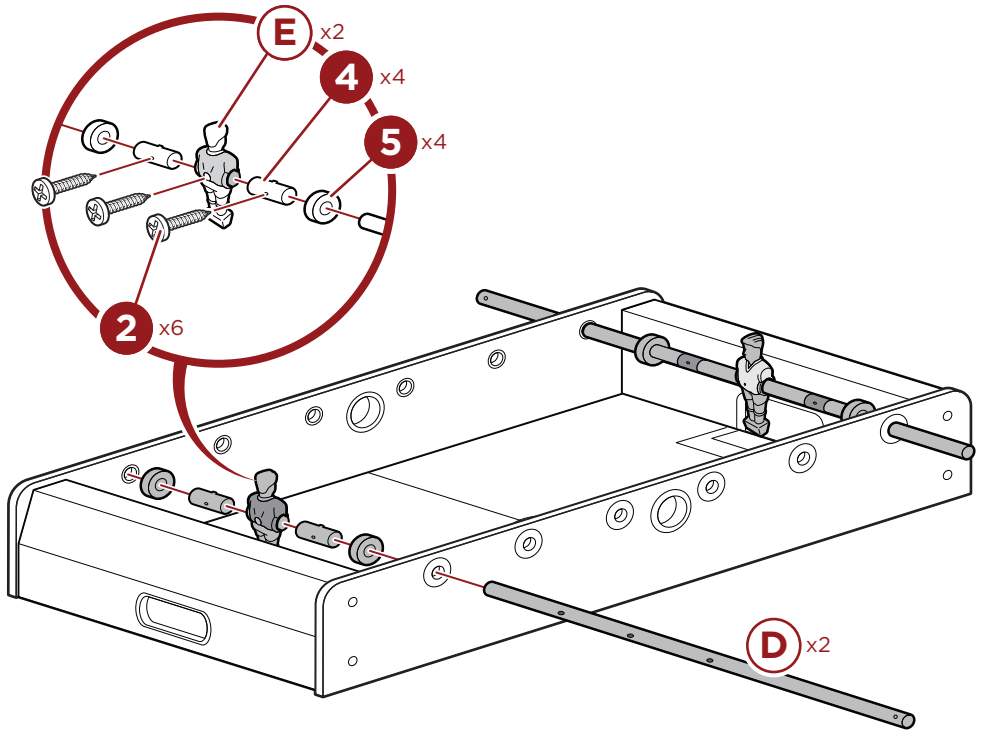


## PRODUCT ASSEMBLY

4

Insert a **part D player rod** into a goalie slot, then slide a **part 5 bumper**, **part 4 stop ring**, **part E red player**, another **stop ring**, and **bumper** onto the rod. Attach the parts to the rod with three **part 2 screws**.

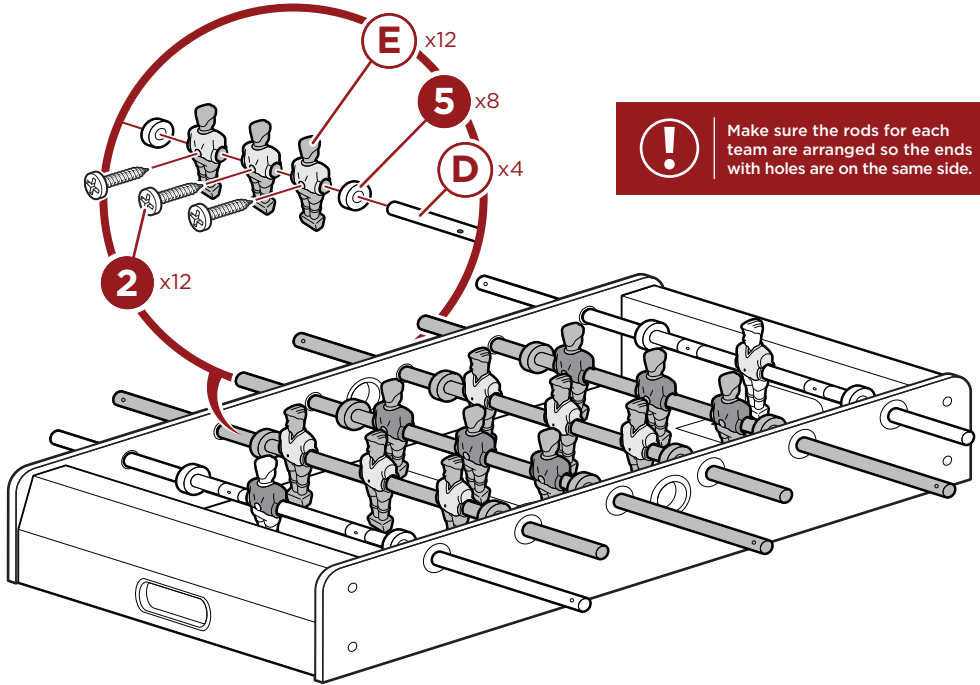
Repeat to assemble the other goalie player rod.



## PRODUCT ASSEMBLY

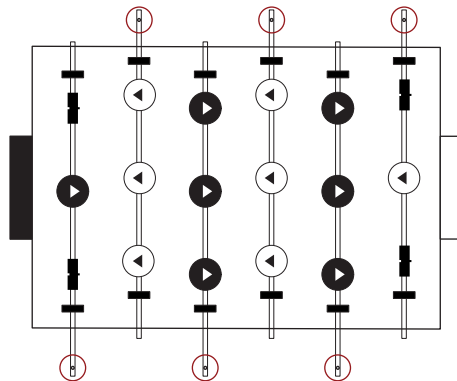
5

Insert a **part D player rod** into a slot, then slide a **part 5 bumper**, three **part E** or **part F red/blue players**, and another **bumper** onto the rod. Attach the players to the rod with three **part 2 screws**. Repeat to assemble three additional player rods.



Make sure the rods for each team are arranged so the ends with holes are on the same side.

Ensure that rods are arranged according to the diagram and players on the same team face the same direction.



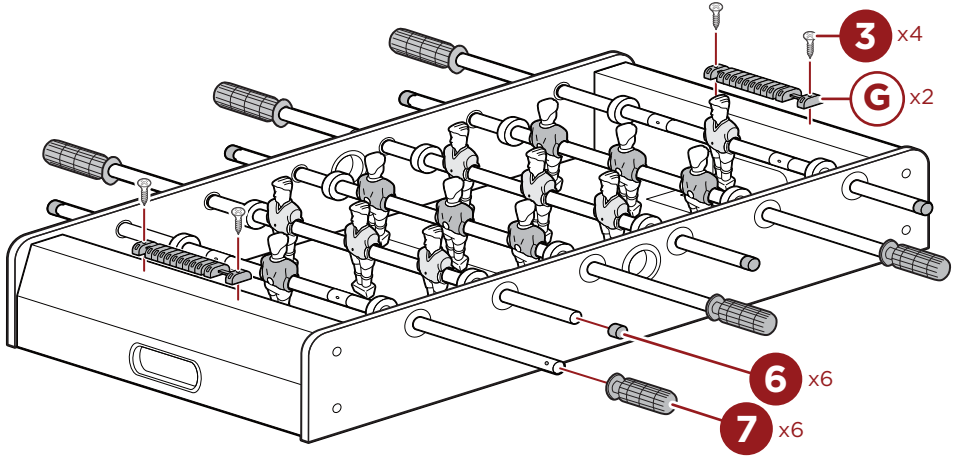


## PRODUCT ASSEMBLY

6

Attach two **part G** scorers with four **part 3** screws.

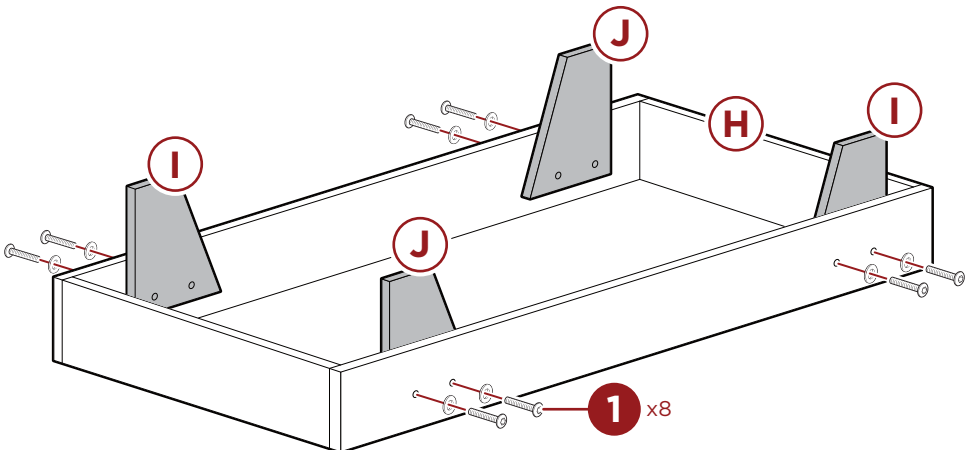
Slide six **part 7** handles onto the ends of rods with a hole. Slide six **part 6** end caps onto the ends of rods without a hole.



If necessary, use a drop of liquid soap to help handles slide onto the rods.

7

Flip the **part H** billiards playfield over. Attach two **part I** left legs and two **part J** right legs with eight **part 1** screw sets.

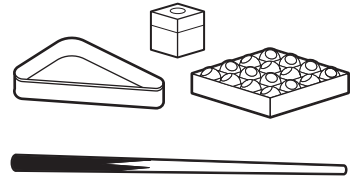
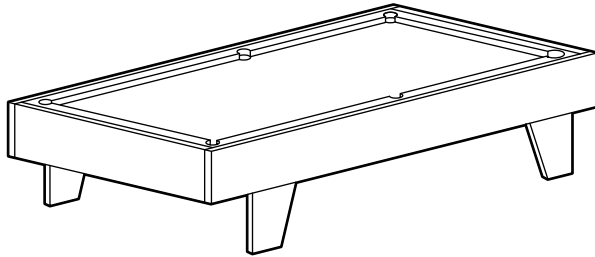


## PLAYING GAMES

Rearrange the game table depending on the game you would like to play.

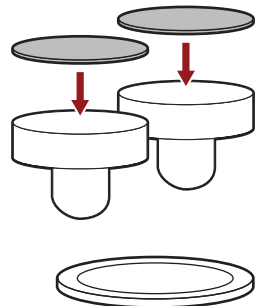
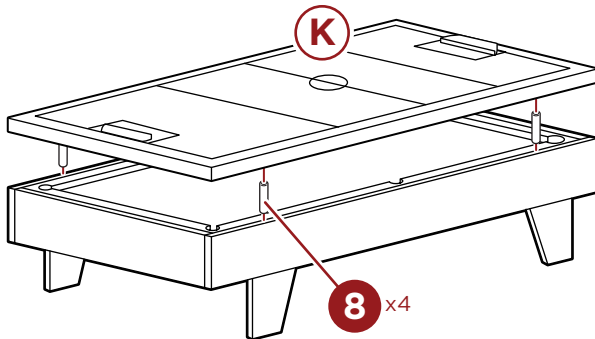
### Billiards:

- Remove all playfields to play billiards.



### Table Hockey:

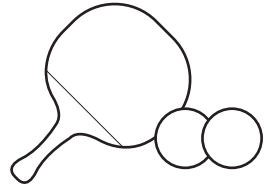
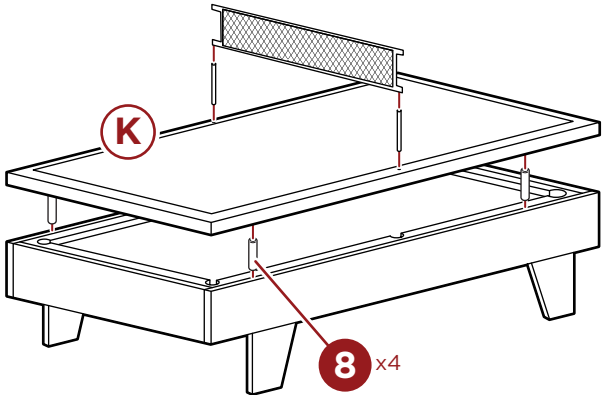
- Place the **part K hockey playfield** on the billiards table. Use four **part 8 dowels** to secure the playfield.
- Adhere the felt pads to the hockey pushers.



## PLAYING GAMES

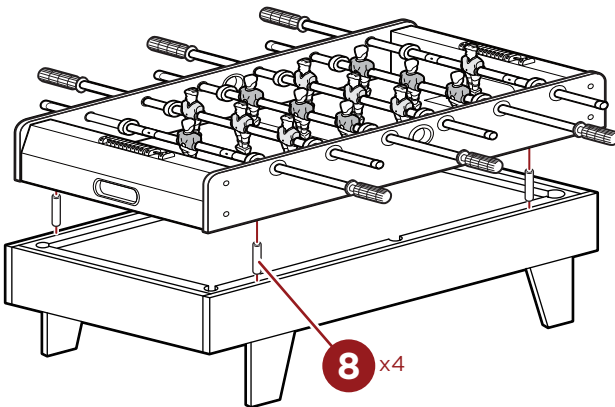
### Table Tennis:

- Flip **part K** to the table tennis playfield and place it on the billiards table. Use four **part 8 dowels** to secure the playfield.
- Install the table tennis net in the designated holes.



### Foosball:

- Place the foosball assembly on the billiards table or hockey/table tennis playfield. Use four **part 8 dowels** to secure the foosball assembly.





# HELP CENTER



Question about your product? We're here to help. Visit us at:

[help.bestchoiceproducts.com](http://help.bestchoiceproducts.com)



Chat Support



Product Inquiry



Orders FAQ



Product Assembly



Returns & Refunds

## PRODUCT WARRANTY INFORMATION

All items can be returned for any reason within 60 days of the receipt and will receive a full refund as long as the item is returned in its original product packaging and all accessories from its original shipment are included. All returned items will receive a full refund back to the original payment method. All returned items will not be charged a re-stocking fee.

All returned items require an RA (Return Authorization) number, which can only be provided by a Best Choice Products Customer Service Representative when the return request is submitted. Items received without an RA may not be accepted or may increase your return processing time. Once an item has been received by Best Choice Products, refunds or replacements will be processed within 5 business days.

All returns must be shipped back to the Best Choice Products Return Center at the customer's expense. If the reason for return is a result of an error by Best Choice Products then Best Choice Products will provide a pre-paid shipping label via email. Boxes for return shipping will not be provided by Best Choice Products, and is the customer's responsibility to either use the original shipping boxes or purchase new boxes.

Pictures may be required for some returns to ensure an item is not damaged prior to its return. Items returned are not considered undamaged until they are received by Best Choice Products and verified as such. All damages to items are the customer's responsibility until the item has been received by and acknowledged by Best Choice Products as undamaged.

© Best Choice Products, Inc. All rights reserved. Distributed by Best Choice Products, Inc. Tustin, CA 92780

## WARNING

Manufacturer and seller expressly disclaim any and all liability for personal injury, property damage or loss, whether direct, indirect, or incidental, resulting from the incorrect attachment, improper use, inadequate maintenance, unapproved modification, or neglect of this product.