

Installation Instructions

Freestanding Bath

Record your model number:
Noter le numéro de modèle:
Anoté su número de modelo: _____

Français, page 14
Español, página 26

KOHLER®

Thank You for Choosing KOHLER

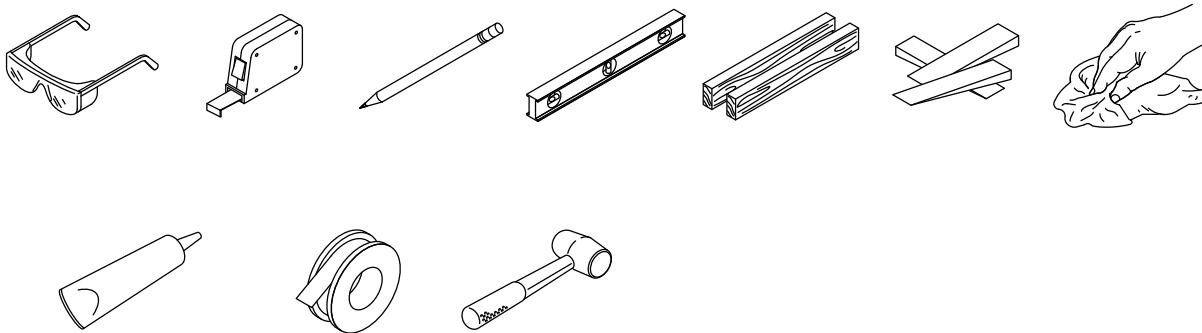
Need help? Contact our Customer Care Center.

- USA/Canada: 1-800-4KOHLER (1-800-456-4537) Mexico: 001-800-456-4537
- Service parts: kohler.com/serviceparts
- Care and cleaning: kohler.com/clean
- Patents: kohlercompany.com/patents

Warranty

This product is covered under the KOHLER® One-Year Limited Warranty, found at kohler.com/warranty. For a hardcopy of warranty terms, contact the Customer Care Center.

Tools and Materials




100% Silicone Sealant Sealant Tape Rubber Mallet*

Plus:

- Drop Cloth
- Lifting Straps
- Common Woodworking Tools
- 1-1/2" PVC Pipe [Approximately 6" (152 mm) Long]*
- 1-1/2" 11-1/2 NPSM Adapter
- PVC Glue

*Applies to 5" Drain Assembly

Before You Begin

 **CAUTION: Risk of personal injury.** This bath is heavy. Obtain sufficient help and use lifting straps to lift or move the bath.

IMPORTANT! Install the bath on a level floor.

IMPORTANT! Drain parts are included in a small box within the carton. Locate and retain the small box before discarding the carton and packing material.

Follow all local plumbing and building codes.

Unpack and inspect the product for damage. Return the product to the carton until installation.

To simplify future maintenance, provide access to plumbing connections.

This bath will not easily fit through doorways. Carefully plan how to move the bath into the installation area.

Install the bath to an adequately supported, level finished floor.

This bath is designed for freestanding installation only.

This bath features an integral overflow.

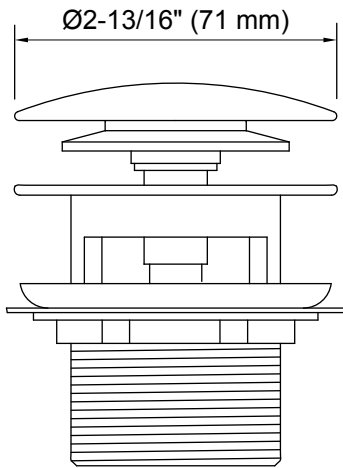
Install a floor- or ceiling-mount bath filler with this freestanding bath.

Your product may appear different than the one illustrated. The installation procedure is the same.

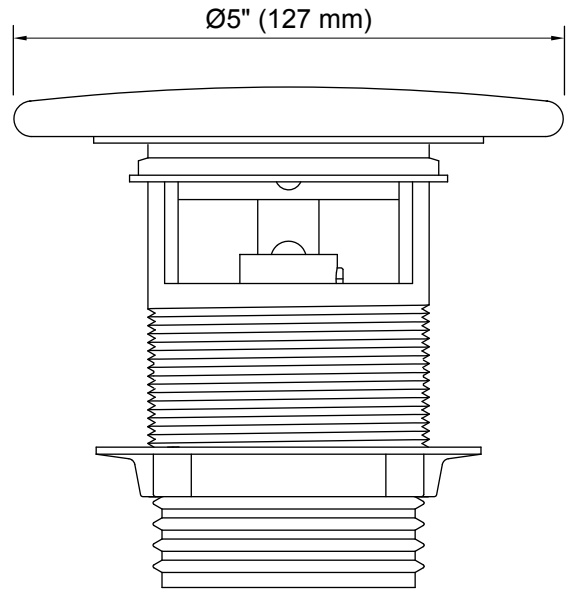
This bath conforms to CSA B45.5/IAPMO Z124.

1. Identify Your Drain

2-13/16" Drain Assembly

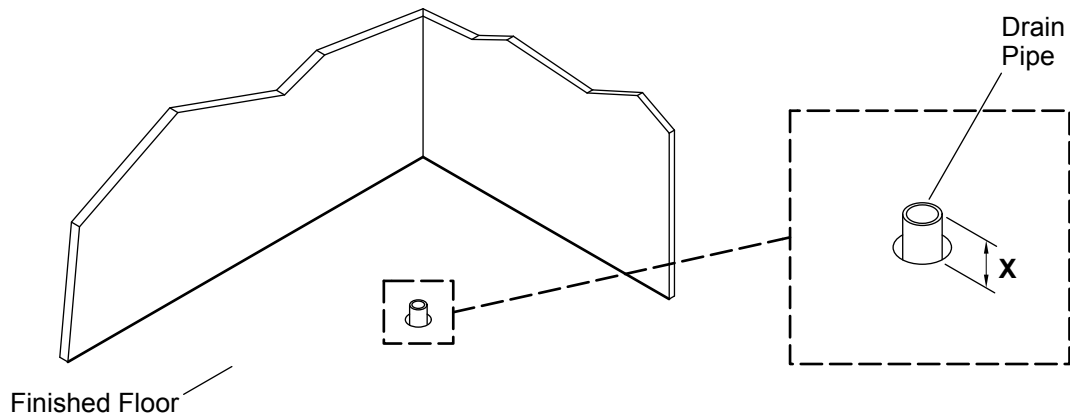


5" Drain Assembly



- Verify which drain is included with your bath.
- Follow the installation instructions for your drain.

2. Prepare the Site – 2-13/16" Drain



NOTICE: Measure your product for site preparation. Note the **model number** on the packaging label, then visit the product page at kohler.com for more information.

NOTICE: Provide adequate floor support.

- Determine the location of the bath.
- Verify that the subfloor is level and offers adequate support for the bath.
- Verify that the finished floor is level before proceeding.

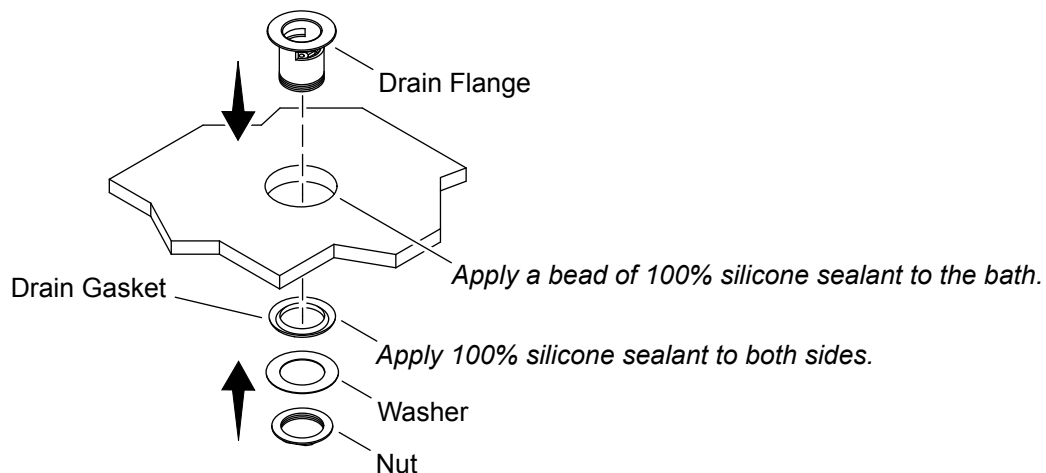
Brass Installation

- Insert the drain body into the bath.
- Measure the distance "X" between the bottom of the drain body and the floor.
- Cut the pipe to extend "X" height above the floor.

PVC Installation

- Insert the drain body into the bath.
- Thread on a 1-1/2" 11-1/2 NPSM PVC adapter.
- Measure the distance "X" between the inside of the adapter (where it meets the drain flange) and the floor.
- Cut the pipe to extend "X" height above the floor.

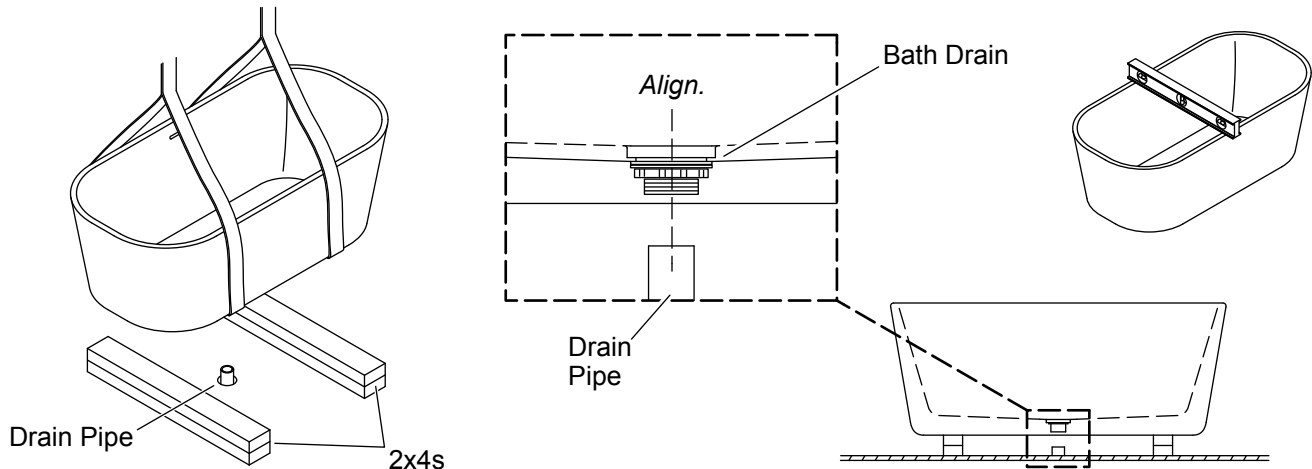
3. Install the 2-13/16" Drain



⚠ CAUTION: Risk of personal injury. This bath is heavy. Obtain sufficient help and use lifting straps to lift or move the bath.

- Place a drop cloth on the floor.
- With assistance, use lifting straps to carefully place the bath on its side.
- Apply 100% silicone sealant to both sides of the drain gasket to act as a lubricant.
- Apply sealant tape to the drain flange threads.
- Install the drain flange, drain gasket, and washer to the bath. Secure with the nut.

4. Install the Bath – 2-13/16" Drain

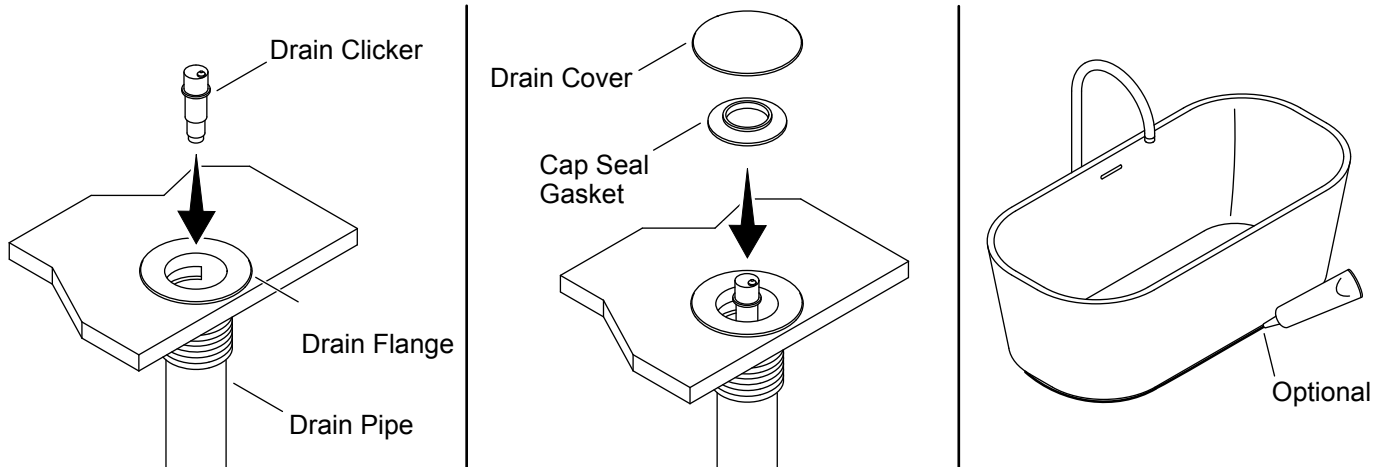


⚠ CAUTION: Risk of personal injury. This bath is heavy. Obtain sufficient help and use lifting straps to lift or move the bath.

⚠ CAUTION: Risk of property damage. Verify that any factory-installed drain connections have not become loose during shipping. Tighten as needed to prevent leakage.

- Stack together two 6' (1.8 m) lengths of 2x4 lumber. Secure the stacked 2x4s together with nails or screws.
- Position the stacked 2x4s on each side of the drain pipe to temporarily support the bath.
- With help, use lifting straps to carefully lift the bath into position on the 2x4s so the bath drain is over the drain pipe.
- Carefully reposition the bath as needed so the bath drain is directly over the drain pipe.
- Use lifting straps and get additional assistance to remove the 2x4 supports and carefully lower the bath to the floor.
- Adjust the bath position as needed to verify that the drain pipe is centered in the bath drain hole.
- Verify that the bath is level. Install shims as needed.

5. Complete the Installation – 2-13/16" Drain



⚠ CAUTION: Risk of property damage. Provide a watertight seal on all drain connections.

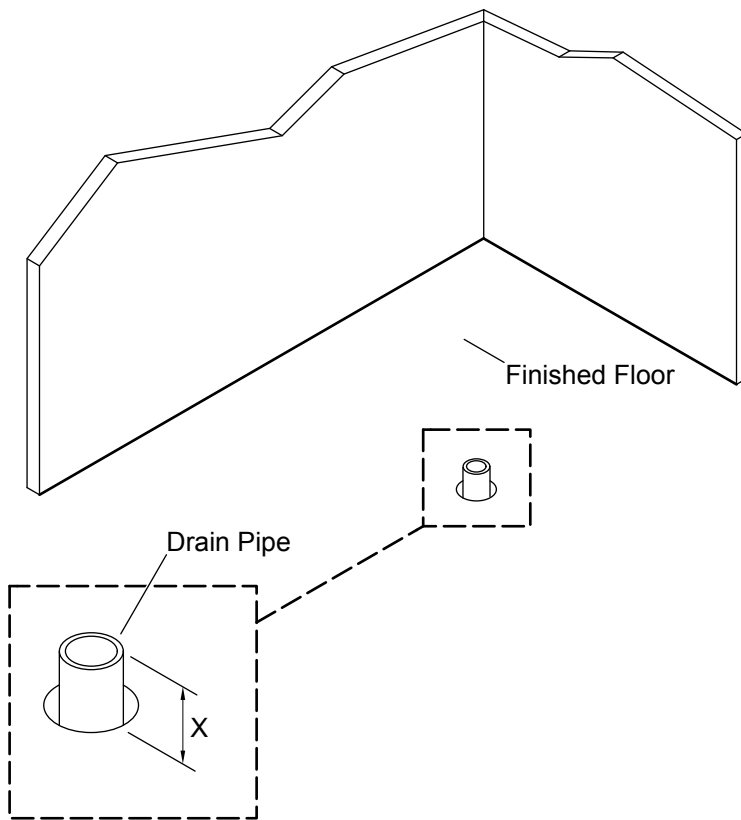
⚠ CAUTION: Risk of personal injury. The edges of drain flange openings may be sharp.

NOTE: The drain cover and gaskets are included in a small box located within the carton.

NOTE: Verify that there is no interference with the drain flange openings.

- For Brass Installation:** Apply sealant tape between the drain flange and the drain pipe to create a watertight seal.
- For PVC Installation:** Apply 100% silicone sealant between the drain flange and the 1-1/2" 11-1/2 NPSM adapter to create a watertight seal.
- For PVC Installation:** Apply PVC glue between the 1-1/2" 11-1/2 NPSM adapter and PVC pipe to create a watertight seal.
- Install the drain flange onto the drain pipe.
- Insert the drain clicker into the drain flange.
- Insert the cap seal gasket and drain cover into the drain flange.
- Press the drain cover several times to verify that the drain opens and closes properly.
- If desired, apply a thin, continuous bead of clear or color-matched silicone sealant to the seam between the bath and the finished floor.
- Install the bath filler following the faucet manufacturer's instructions.
- Close the bath drain.
- Fill the bath to the overflow and check the drain connections for leaks.

6. Prepare the Site – 5" Drain



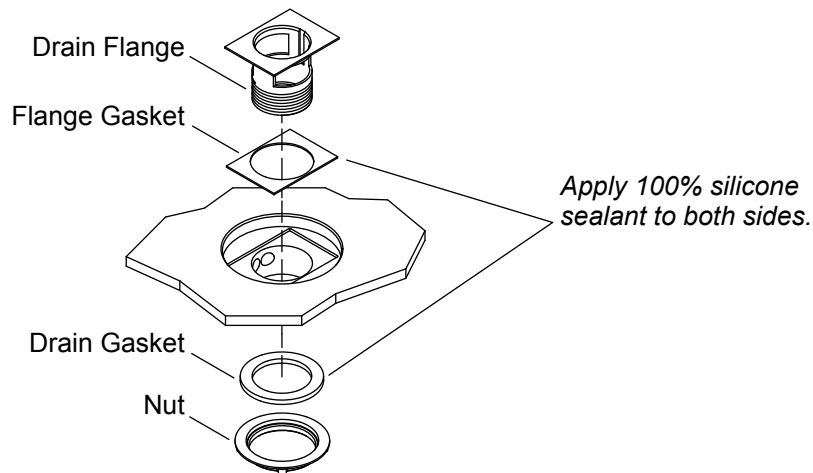
Bath Model	"X" Dimension
K-1800	1-7/8" (48 mm) Min 2-1/8" (54 mm) Max
K-8331	5/8" (16 mm) Min 7/8" (22 mm) Max
K-8332	5/8" (16 mm) Min 7/8" (22 mm) Max
K-8333	5/8" (16 mm) Min 7/8" (22 mm) Max
K-8334	1-1/8" (29 mm) Min 1-3/8" (35 mm) Max
K-8335	1/2" (13 mm) Min 3/4" (19 mm) Max
K-8336	1/2" (13 mm) Min 3/4" (19 mm) Max
K-8337	1/2" (13 mm) Min 3/4" (19 mm) Max

NOTICE: Measure your product for site preparation. Note the **model number** on the packaging label, then visit the product page at kohler.com for more information.

NOTICE: Provide adequate floor support.

- Determine the location of the bath.
- Position the bath so that the overflow side of the bath faces the preferred direction.
- Verify that the subfloor is level and offers adequate support for the bath.
- Verify that the finished floor is level before proceeding.
- Insert the drain body into the bath.
- Measure the distance "X" between the bottom of the drain body and the floor.
- Cut the pipe to extend "X" height above the floor.
- Cut the standard PVC or brass drain pipe to extend "X" height above the floor.

7. Install the 5" Drain



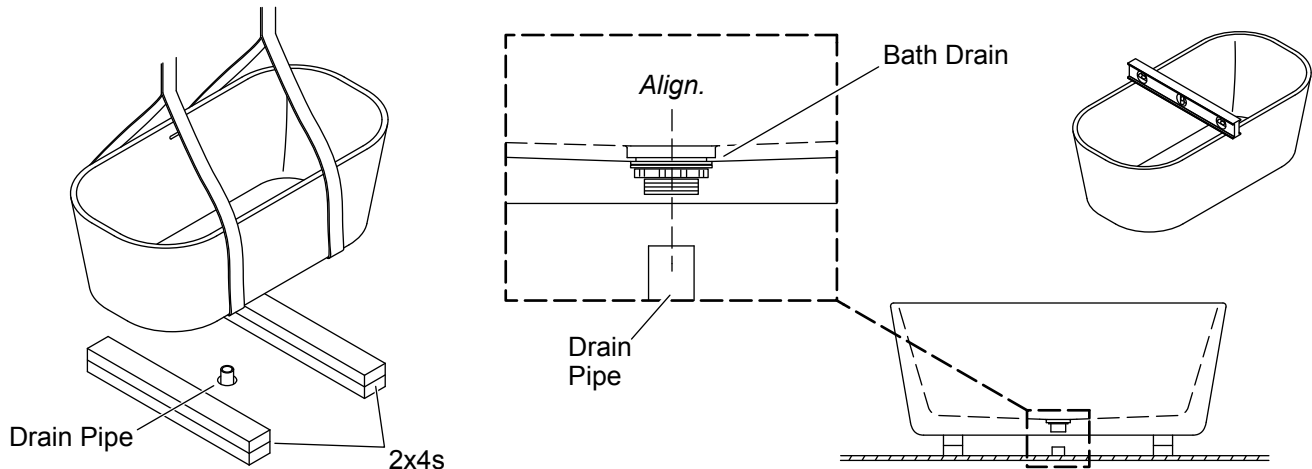
⚠ CAUTION: Risk of personal injury. This bath is heavy. Obtain sufficient help and use lifting straps to lift or move the bath.

- Place a drop cloth on the floor.
- With assistance, use lifting straps to carefully place the bath on its side.

NOTE: The drain cover and gaskets are included in a small box located within the carton.

- Apply 100% silicone sealant to both sides of the flange gasket and drain gasket to act as a lubricant.
- Apply sealant tape to the drain flange threads.
- Install the flange gasket, drain flange, and drain gasket to the bath. Secure the drain flange with the nut.

8. Install the Bath – 5" Drain

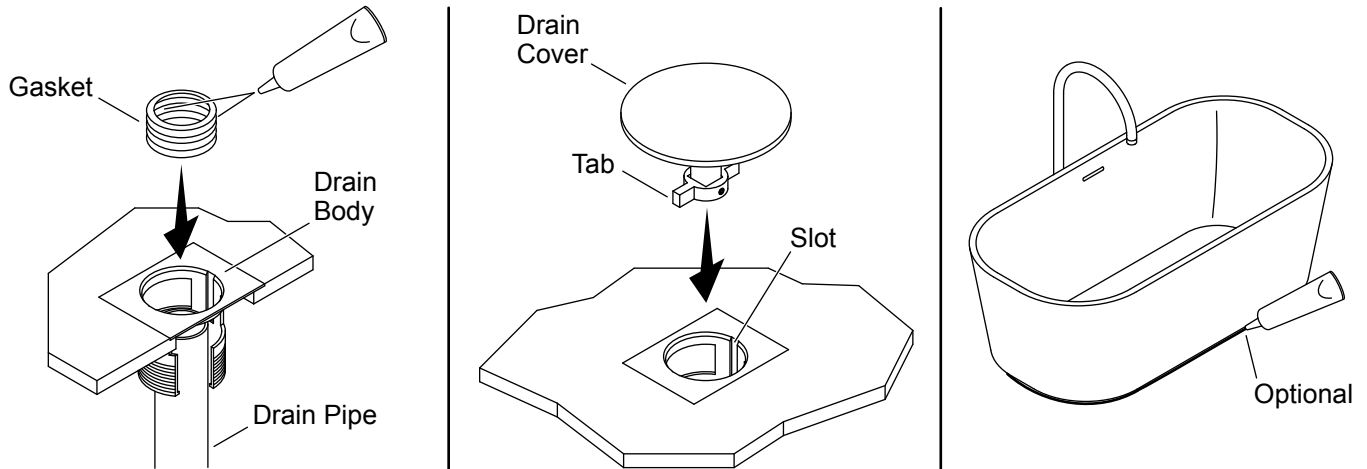


⚠ CAUTION: Risk of personal injury. This bath is heavy. Obtain sufficient help and use lifting straps to lift or move the bath.

⚠ CAUTION: Risk of property damage. Verify that any factory-installed drain connections have not become loose during shipping. Tighten as needed to prevent leakage.

- Stack together two 6' (1.8 m) lengths of 2x4 lumber. Secure the stacked 2x4s together with nails or screws.
- Position the stacked 2x4s on each side of the drain pipe to temporarily support the bath.
- With help, use lifting straps to carefully lift the bath into position on the 2x4s so the bath drain is over the drain pipe.
- Carefully reposition the bath as needed so the bath drain is directly over the drain pipe.
- Use lifting straps and get additional assistance to remove the 2x4 supports and carefully lower the bath to the floor.
- Adjust the bath position as needed to verify that the drain pipe is centered in the bath drain hole.
- Verify that the bath is level. Install shims as needed.

9. Complete the Installation – 5" Drain



⚠ CAUTION: Risk of property damage. Provide a watertight seal on all drain connections.

NOTE: The drain cover and gaskets are included in a small box located within the carton.

- Choose the thin gasket for PVC drain pipes or the thick gasket for brass pipes.
- Apply 100% silicone sealant to the inside and outside surfaces of the gasket to act as a lubricant.
- Use a rubber mallet and short section of 1-1/2" PVC pipe to install the gasket onto the drain pipe inside the drain body.

NOTE: To ensure proper drain cover operation, the gasket must sit below the drain body slots.

- Align the tabs on the drain cover with the slots in the drain body and insert the drain cover.
- Press the drain cover several times to verify that the drain opens and closes properly.
- If desired, apply a thin, continuous bead of clear or color-matched silicone sealant to the seam between the bath and the finished floor.
- Install the bath filler following the faucet manufacturer's instructions.
- Close the bath drain.
- Fill the bath to the overflow and check the drain connections for leaks.

Removing Minor Surface Damage

Your solid surface acrylic bath is strong and durable, and will provide you with years of satisfaction. If you observe stains or minor scratches in the acrylic surface, follow these steps to quickly repair your bath.

IMPORTANT! This repair procedure is not appropriate for deep scratches, gouges, or chips. For damage of that nature please contact Kohler Co. or a local solid surface repair professional.

NOTE: We recommend wet sanding to extend the life of the sandpaper, although dry sanding will produce the same quality repair.

NOTE: Use 400 grit sandpaper to remove scratches and stains.

- Apply flat, even pressure with the sandpaper and move the paper in a circular pattern.
- Inspect your progress frequently to ensure a quality repair.
- Clean or replace the sandpaper as needed during the repair.
- When the damage is repaired, polish the area with clean 600 grit sandpaper. Use a steady circular motion to polish the repaired surface and surrounding area to restore the bath to its original finish.
- When you are finished, rinse the bath surface with clean water to remove any sanding dust and debris. Use a clean cloth to dry the bath surface.