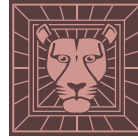


72"

Item Number:

860-V72-CFO
860-V72-SOK

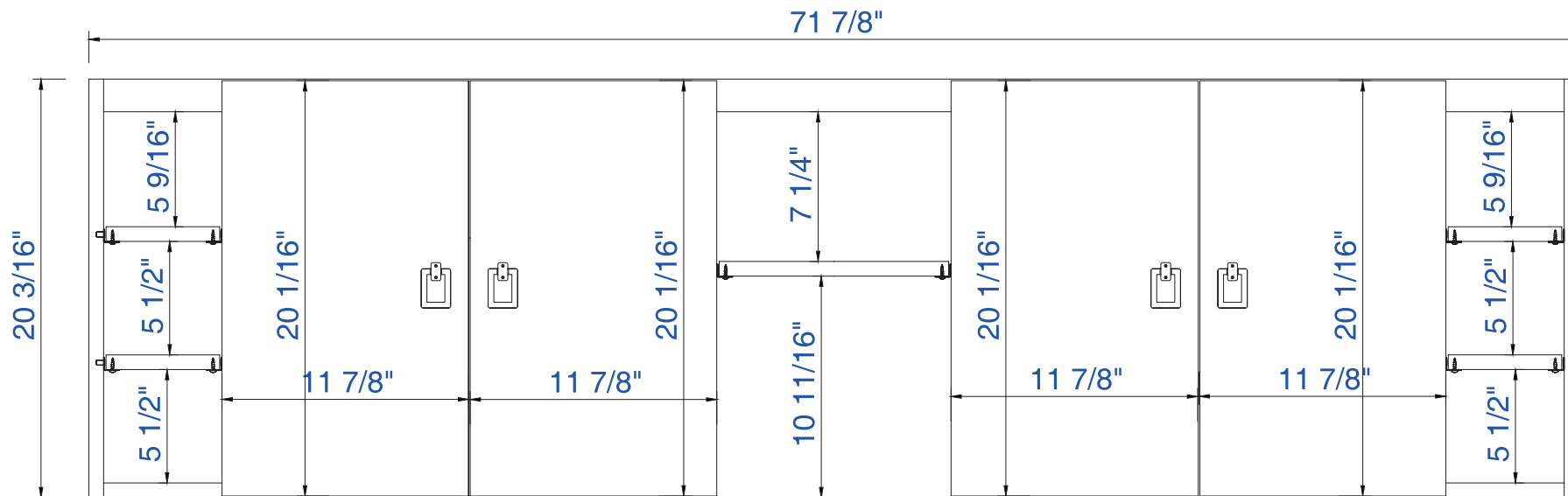
JAMES MARTIN



VANITIES™

Sonoma 72" Double Vanity

Diagrams with Dimensions
page 01 of 03



NOTE ONE: Countertops are not shown in these diagrams. (Cabinet Only)

NOTE TWO: This vanity does not have a Backsplash.

Please consult our website for Countertop Diagrams: www.jamesmartinvanities.com

72"

Item Number:

JAMES MARTIN

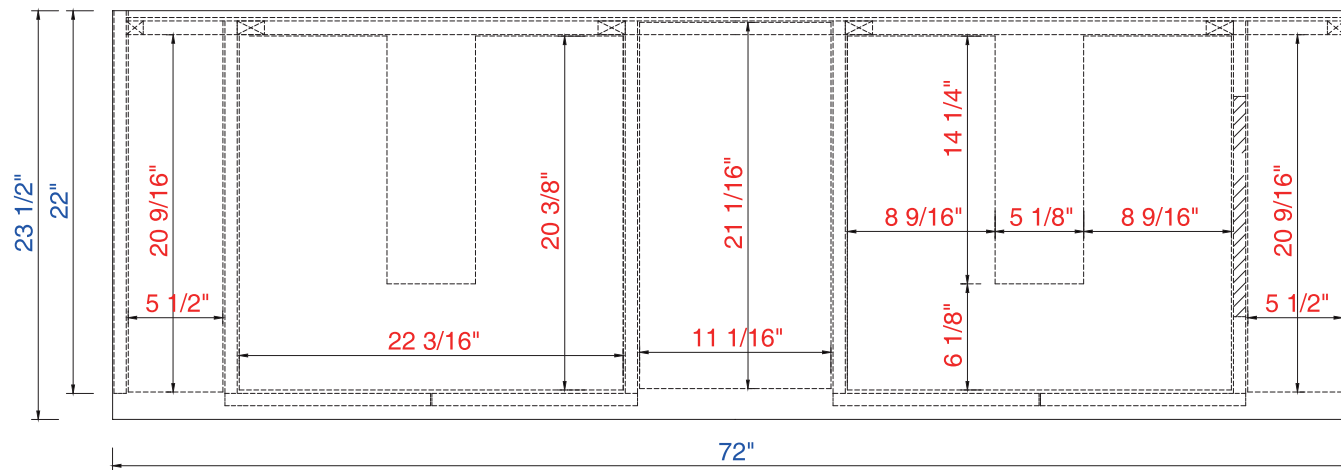
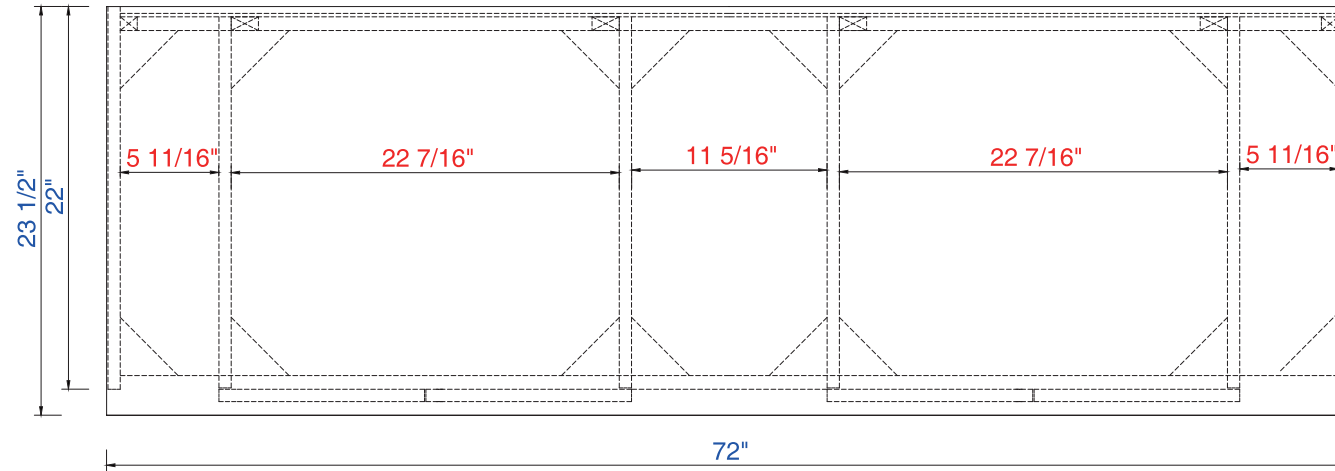
Sonoma 72" Double Vanity

860-V72-CFO
860-V72-SOK

Diagrams with Dimensions
page 02 of 03



VANITIES™



NOTE ONE: Countertops are not shown in these diagrams. (Cabinet Only)

NOTE TWO: Internal Shelves (Shown) are designed to align with sinks in James Martin's Optional Countertops.

Customers' own countertops and sinks may align differently, and modification may be required.

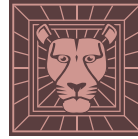
Please consult our website for Countertop Diagrams: www.jamesmartinvanities.com

72"

Item Number:

860-V72-CFO
860-V72-SOK

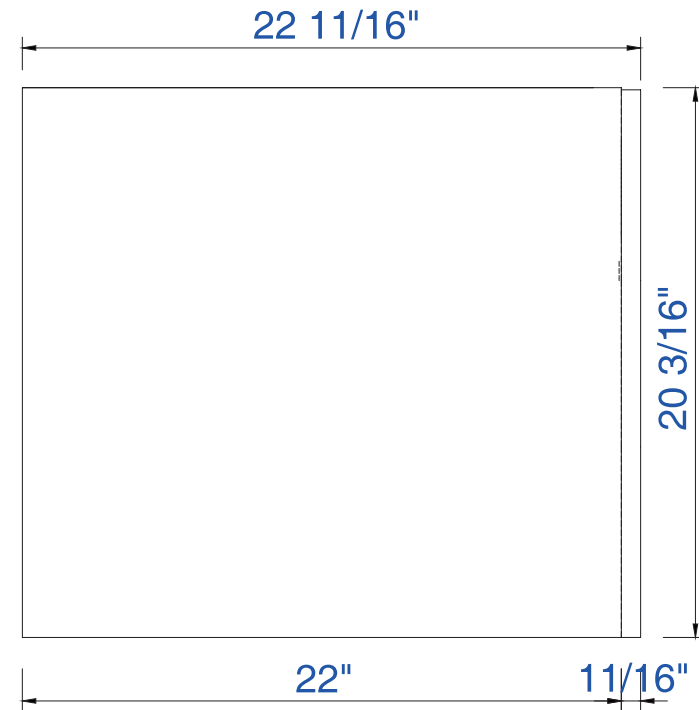
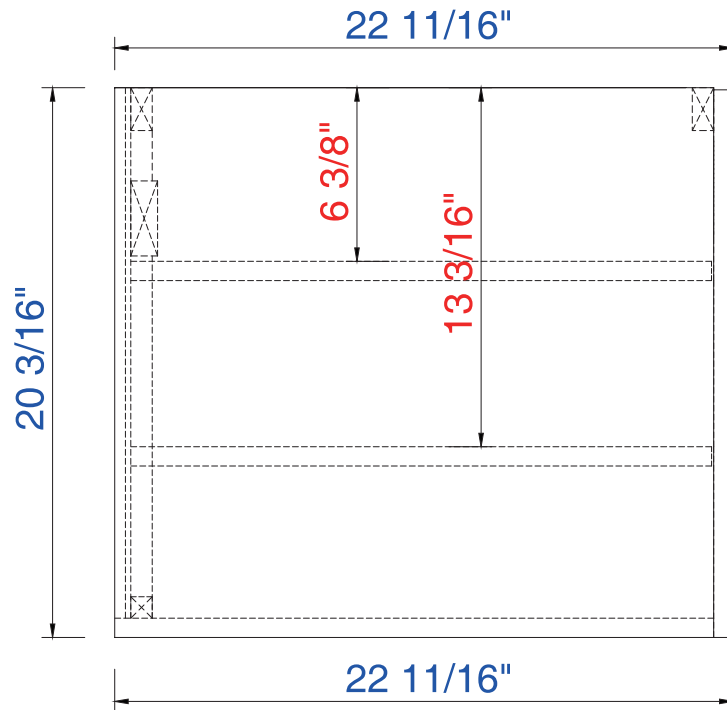
JAMES MARTIN



VANITIES™

Sonoma 72" Double Vanity

Diagrams with Dimensions
page 03 of 03



NOTE ONE: Countertops are not shown in these diagrams. (Cabinet Only)

NOTE TWO: This vanity does not have a Backsplash.

Please consult our website for Countertop Diagrams: www.jamesmartinvanities.com

1829mm

Item Number:

JAMES MARTIN

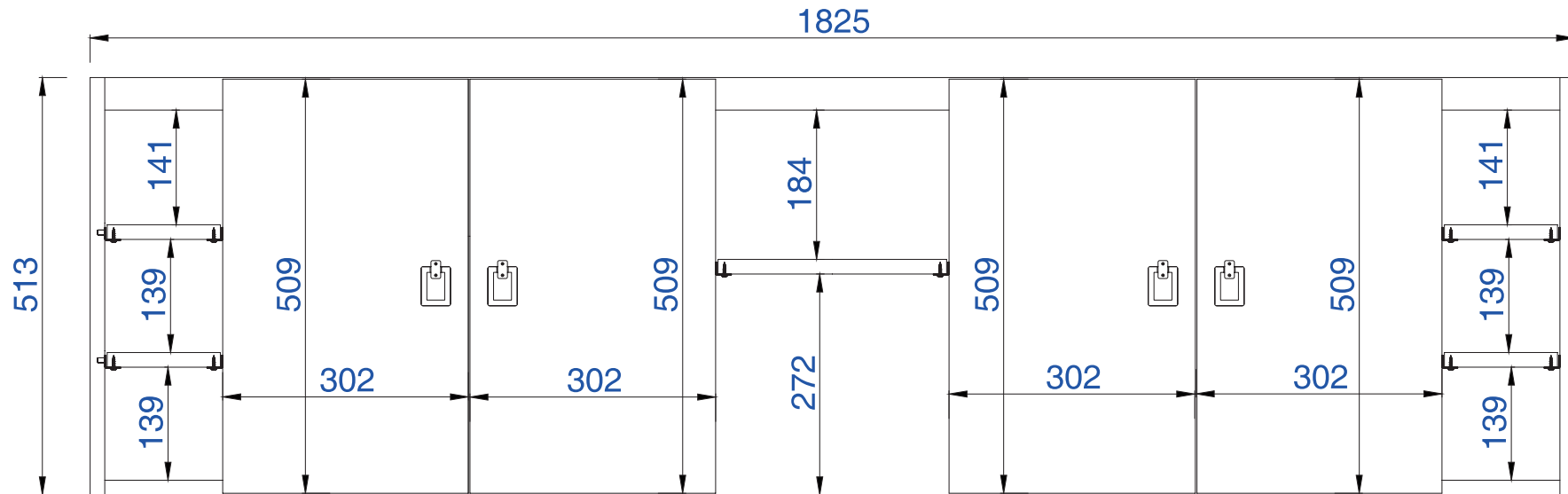
Sonoma 1829mm Double Vanity

860-V72-CFO
860-V72-SOK

Diagrams with Dimensions
page 01 of 03



VANITIES™



NOTE ONE: Countertops are not shown in these diagrams. (Cabinet Only)

NOTE TWO: This vanity does not have a Backsplash.

Please consult our website for Countertop Diagrams: www.jamesmartinvanities.com

1829mm

Item Number:

JAMES MARTIN

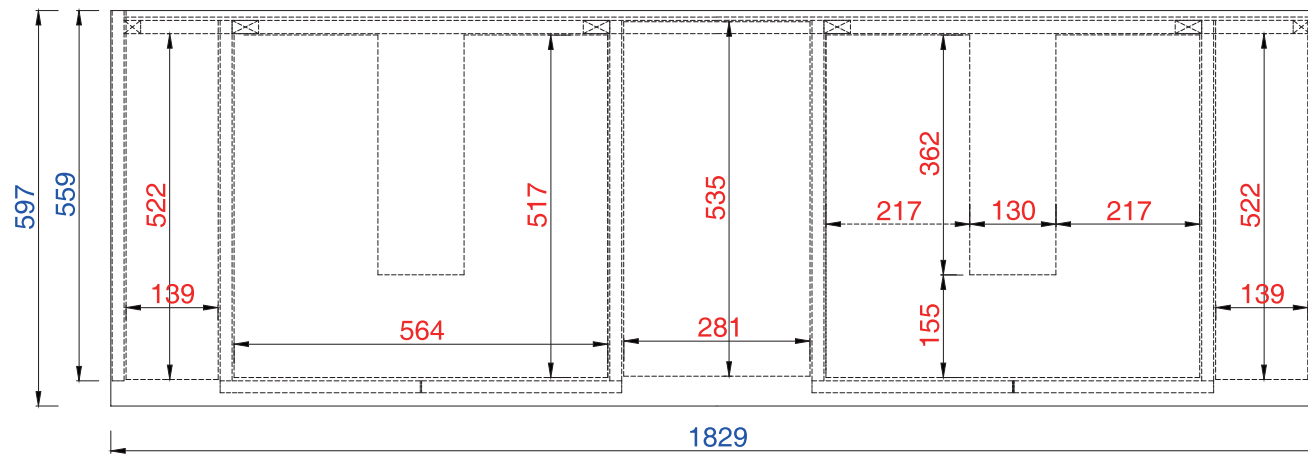
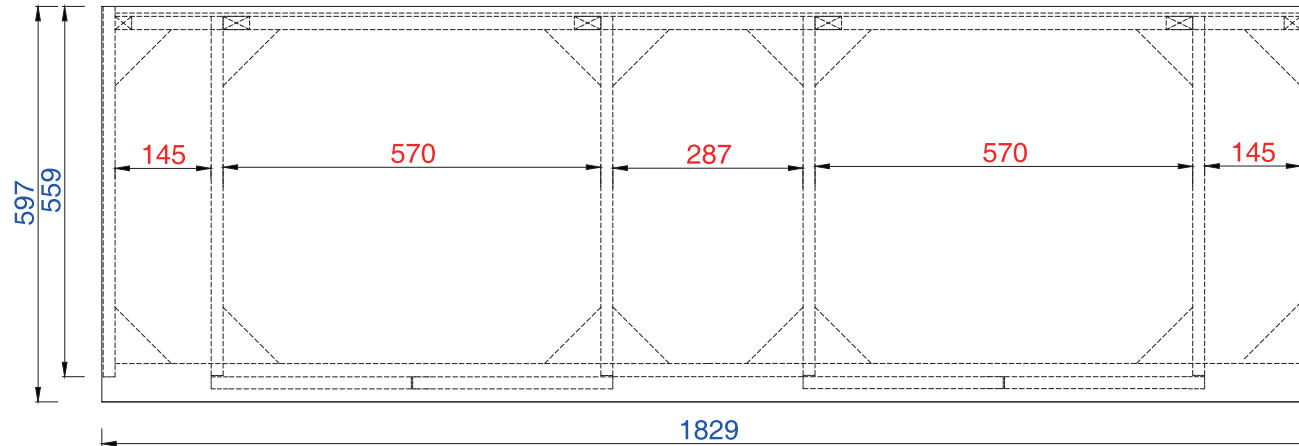
Sonoma 1829mm Double Vanity

860-V72-CFO
860-V72-SOK

Diagrams with Dimensions
page 02 of 03



VANITIES™



NOTE ONE: Countertops are not shown in these diagrams. (Cabinet Only)

NOTE TWO: Internal Shelves (Shown) are designed to align with sinks in James Martin's Optional Countertops.

Customers' own countertops and sinks may align differently, and modification may be required.

Please consult our website for Countertop Diagrams: www.jamesmartinvanities.com

1829mm

Item Number:

860-V72-CFO
860-V72-SOK

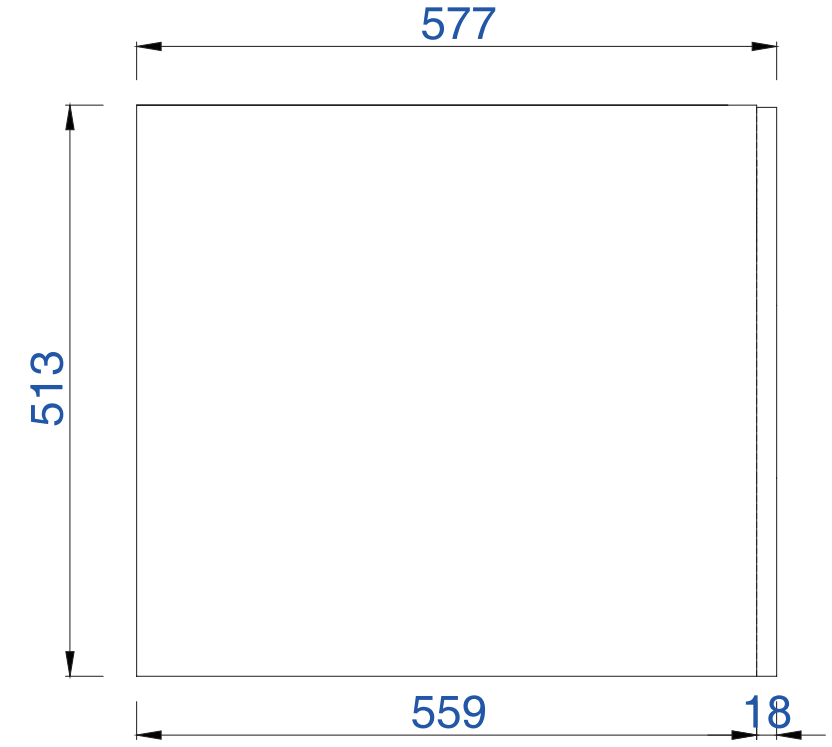
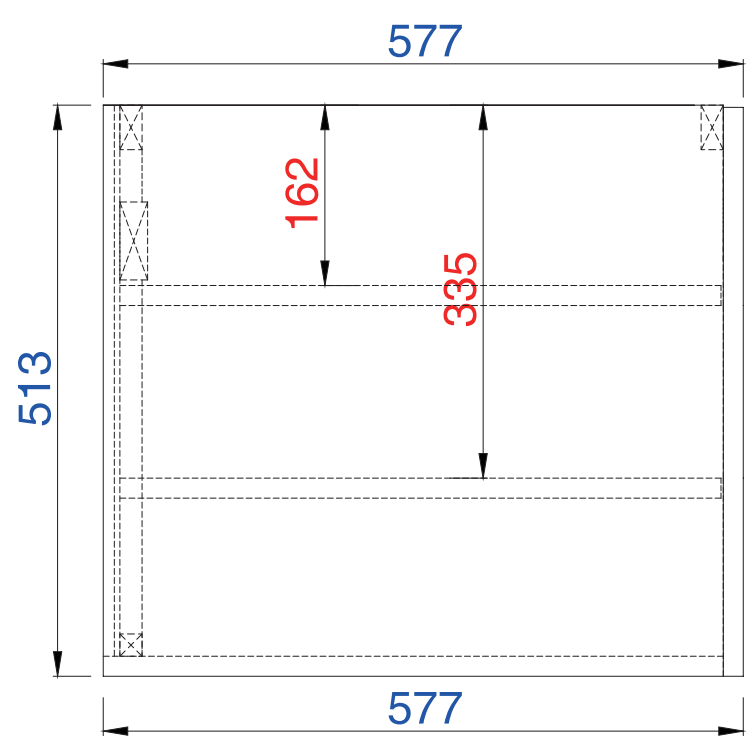
JAMES MARTIN



VANITIES™

Sonoma 1829mm Double Vanity

Diagrams with Dimensions
page 03 of 03



NOTE ONE: Countertops are not shown in these diagrams. (Cabinet Only)
NOTE TWO: This vanity does not have a Backsplash.
Please consult our website for Countertop Diagrams: www.jamesmartinvanities.com