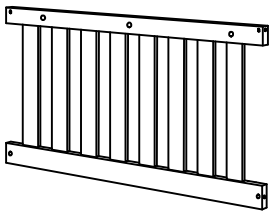


ASSEMBLY INSTRUCTION

949B002P (3A) WHITE FINISH TWIN MISSION VERTICAL SLAT HEADBOARD

A Centre Frame **B** Side Post **C** Caprel **D** Jcbc Screw M6 x 80mm



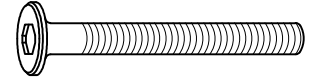
1pc



2pcs



1pc



4pcs

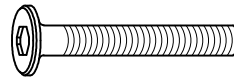
E Barrel Nut **F** Wooden Button 14.5 **G** Jcbc Screw M6 x 60mm **H** M6 Flat Washer



4pcs



4pcs



6pcs

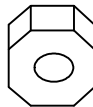


6pcs

I Nylon Washer 20mm **J** M6 Hex Nut **K** M4 Allen Key **L** Minifix Bolt



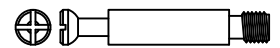
6pcs



6pcs

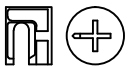


1pc



3pcs

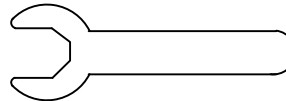
M Housing 13.5mm **N** Plastic Cap (White) **O** Wrench 10mm



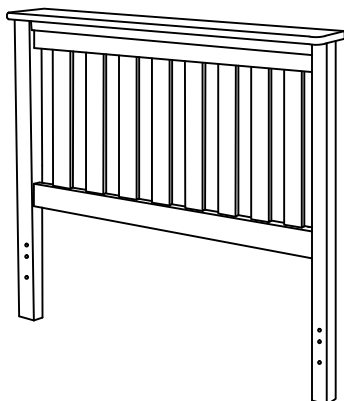
3pcs



3pcs



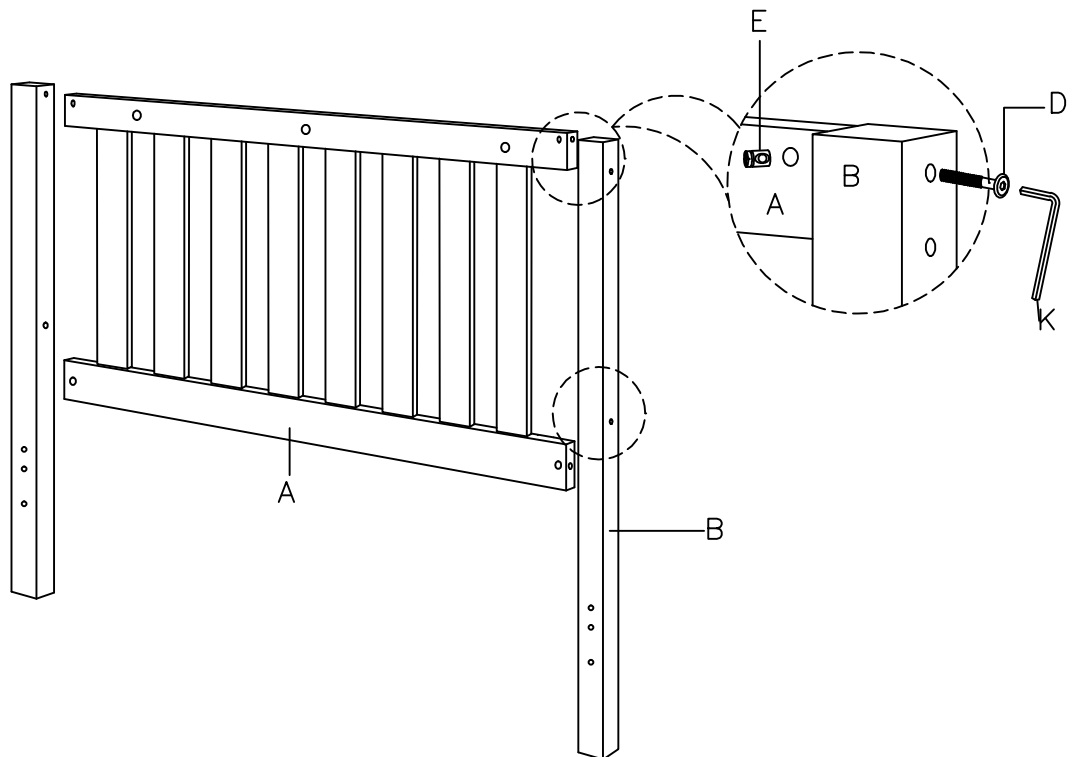
1pc



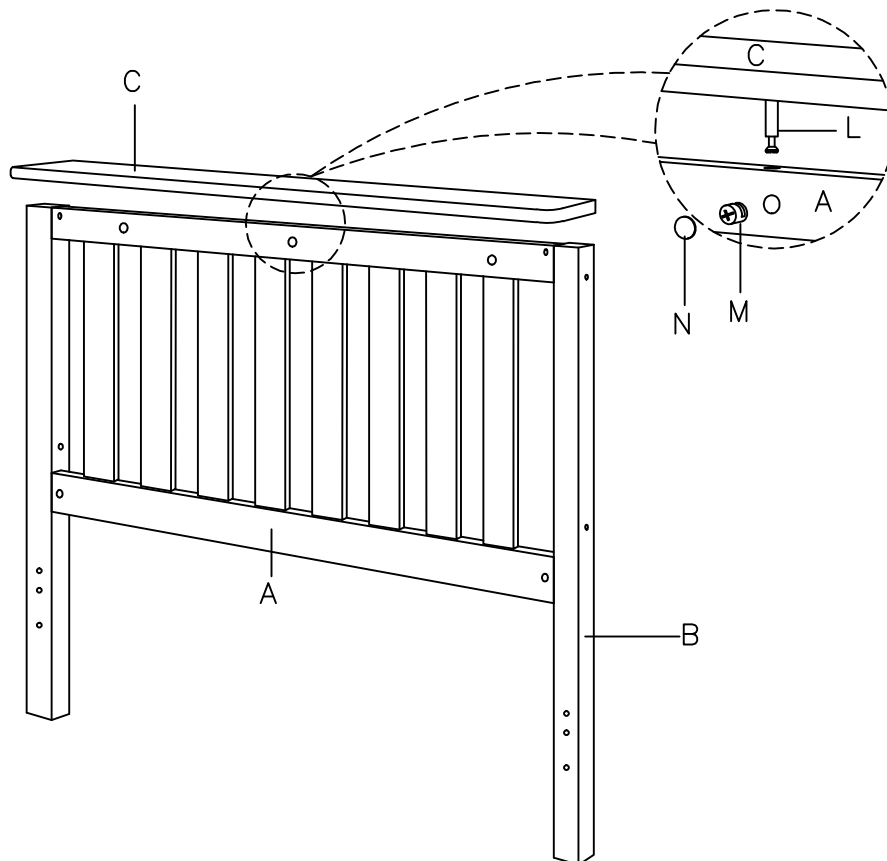
This page lists all the contents included in the box. Please take the time to identify the hardware as well as the individual components to this product. As you unpack and prepare for assembly, place the contents on a carpeted or padded area to protect them from damage.

1

Attach Side Post (B) to Center Frame (A) using JCBC Bolt M6 x 80mm (D) through Barrel Nut (E). Tighten using M4 Allen Key (K).

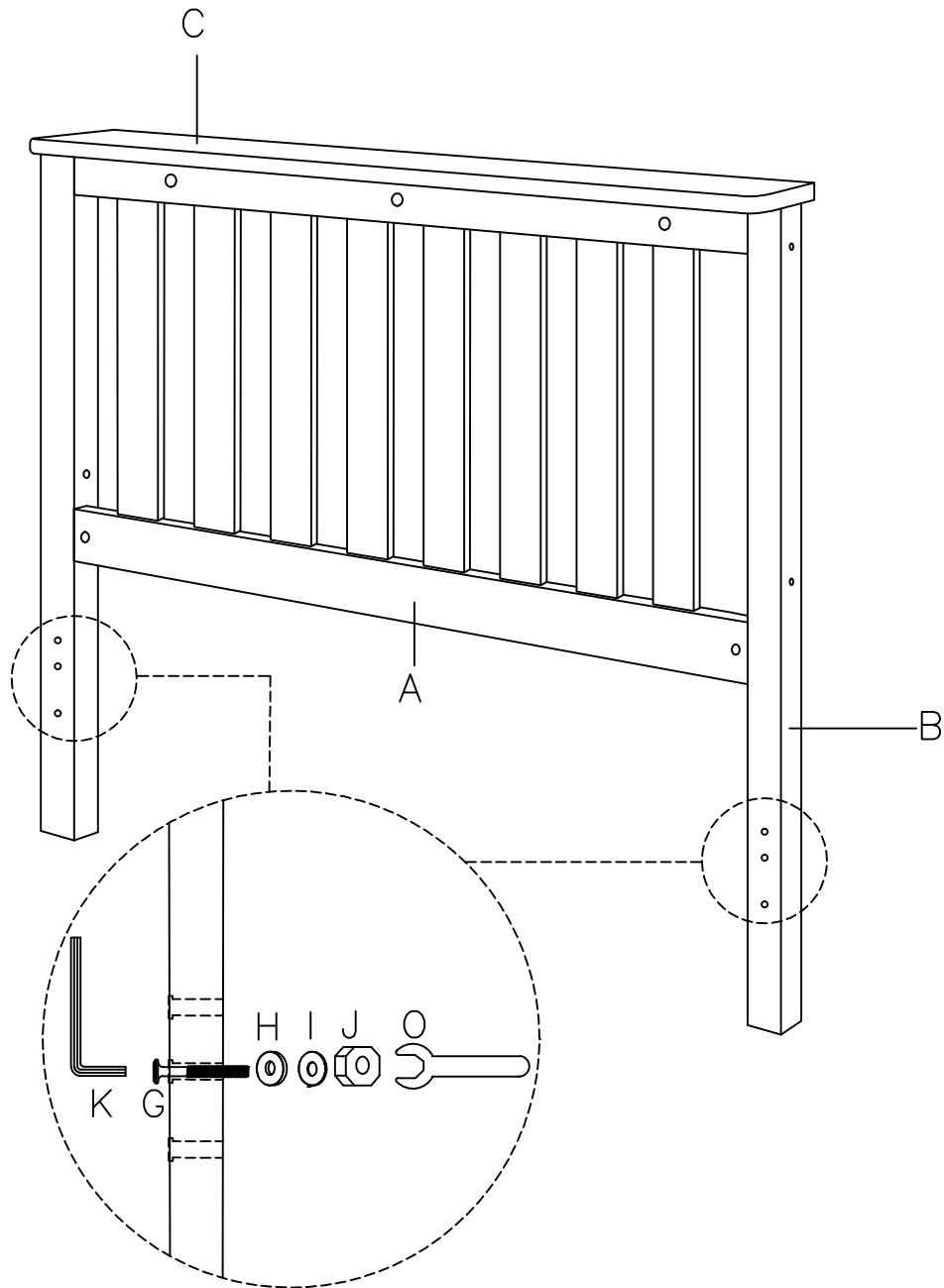
**2**

Put the Minifix Bolt (L) on Caprel (C) and fix it to Center Frame (A) using Housing 13.5 (M) and put the Plastic Cap (N).



3

Align following hardware Jcbc Screw (G), Nylon Washer (H), Flat Washer (I) and Hex Nut M6 (J). By using Allen key (K) tighten the Hex Nut M6 using Wrench 10mm(O). Do not tighten all the screws until completely assembled.



Cleaning & Care

Treat surface with care. Surface is resistant to scratches but is not scratch resistant. Clean surface with a dry or damp soft cloth. Do not use abrasive cleaners. Hardware may loosen over time. Periodically check that all connections are tight.