




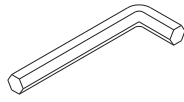
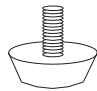


ASSEMBLY INSTRUCTION

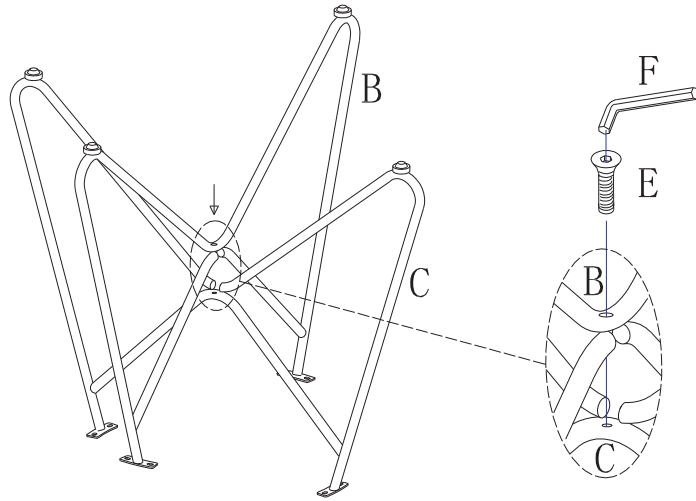
550-42 ROUND DINING TABLE

A Table Top	B Lower Leg	C Upper Leg	D Bolt With Lock Washer And Flat Washer 1/4", 5/8"	E Flat Head Bolt 1/4", 1"
				
1 pc	1 pc	1 pc	8 pcs	1 pc
F Allen Key 3/16"	G Leveler 1/4", ϕ 1", 3/8"			
				
1 pc	4 pcs			

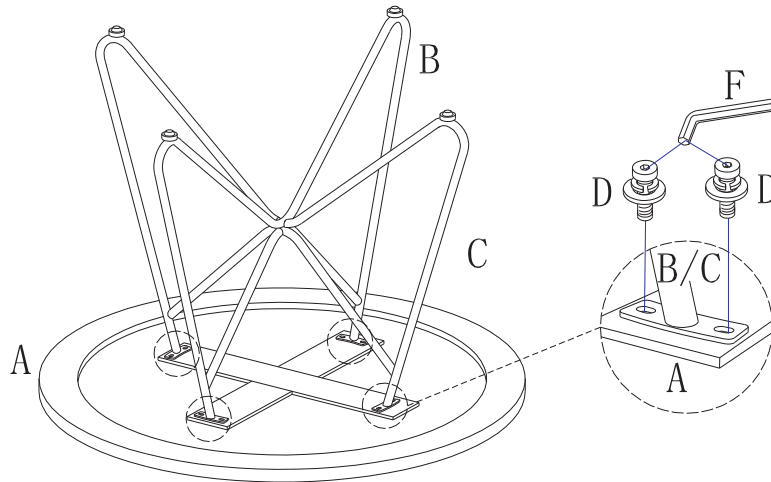


This page lists all the contents included in the box. Please take the time to identify the hardware as well as the individual components to this product. As you unpack and prepare for assembly, place the contents on a carpeted or padded area to protect them from damage.

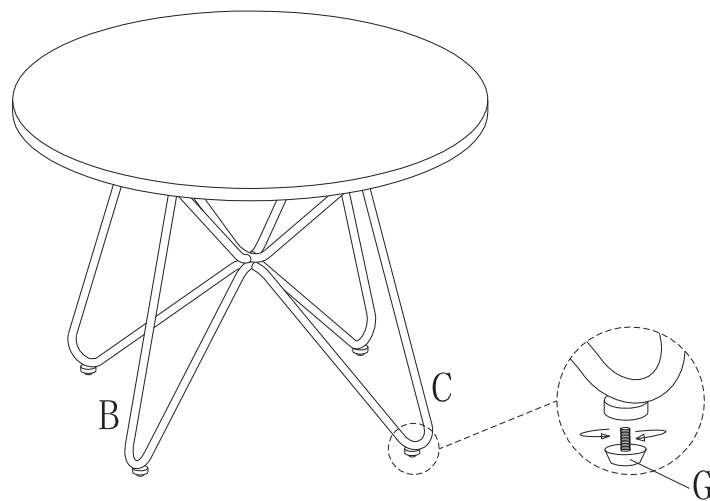
- 1** Attach the Upper Leg (C) to the Lower Leg (B), using Flat Head Bolt (E) and Allen Key (F) to tighten.



- 2** Put the Table Top (A) on the smooth and stable working stand. Attach the Lower Leg (B) and the Upper Leg (C) to the Table Top (A), using Bolt With Lock Washer And Flat Washer (D) and Allen Key (F) to tighten.



- 3** Attach the Leveler (G) to the Upper Leg (C) and Lower Leg (B).



Cleaning & Care

Treat surface with care. Surface is resistant to scratches but is not scratch resistant. Clean surfaces with a dry or damp soft cloth. Do not use abrasive cleaners. Hardware may loosen over time. Periodically check that all connections are tight.