
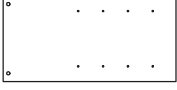

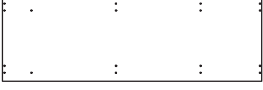


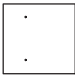







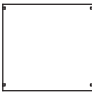

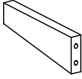

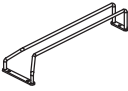
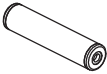
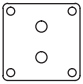
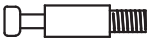



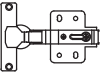


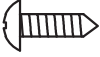

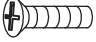







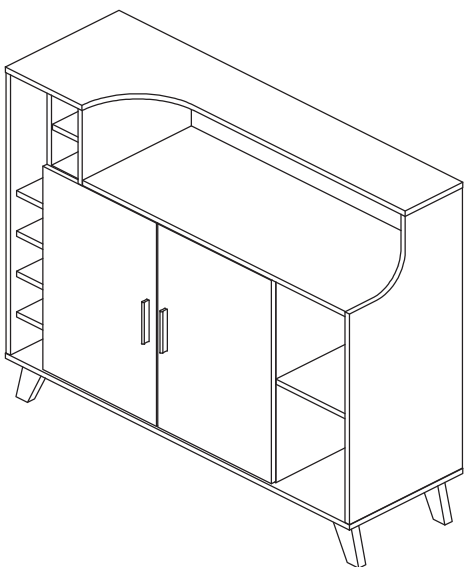


ASSEMBLY INSTRUCTION

SERVER

A Top Panel 1pc 	B Left Side Panel 1pc 	C Right Side Panel 1pc 	D Bottom Panel 1pc 
E Middle Side Panel 1pc 	F Top Divider Panel 1pc 	G Left Shelf Panel 1pc 	H Shelf 1pc 
I Right Shelf Panel 1pc 	J Left Bottom Divider Panel 1pc 	K Right Bottom Divider Panel 1pc 	L Back Panel 1pc 
M Wine Rack Shelf Panel 1pc 	N Door 1pc 	O Adjustable Shelf Panel 1pc 	P H-Holder 2pcs 
Q Leg 5pcs 	R Handle 2pcs 	S Wine Glass Rack 3pcs 	T Support Leg 1pc 
U Iron Plate 4pcs 3.15" x 3.15" x 0.07" 	V Minifix 2pcs ø0.27" x 0.8" 	W Cam 1pc 0.47" 	X Wood Dowel 1pc ø0.23" x 0.98" 
Y Screw 4pcs ø0.17" x 1.49" 	Z Hinge 23pcs H-0 	AA Screw 23pcs ø0.14" x 0.47" 	AB Screw 56pcs ø0.16" x 0.98" 
8 pcs	4 pcs	24 pcs	4 pcs

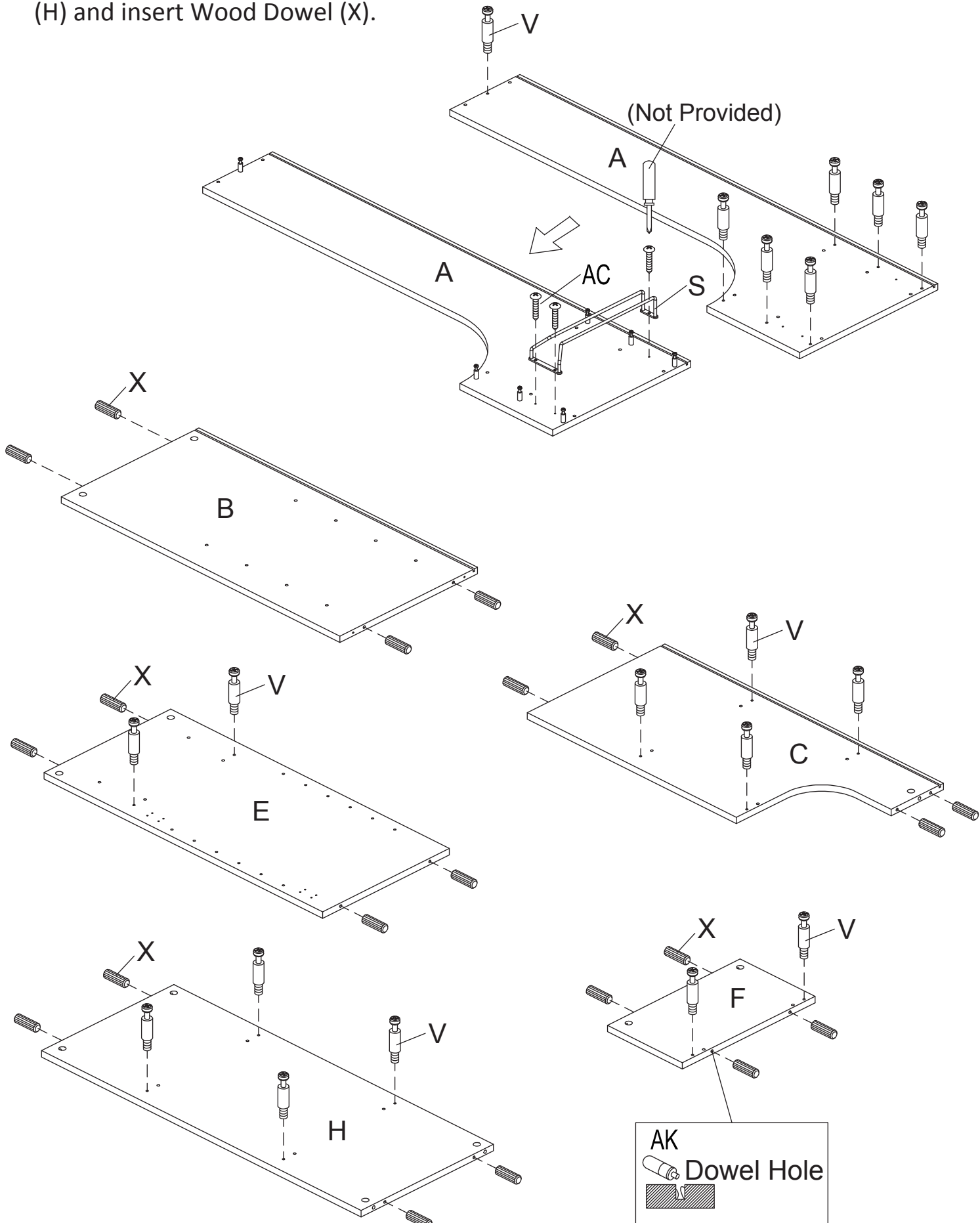
AC Screw $\phi 0.16'' \times 0.47''$  19pcs	AD Shelf Support $0.19'' \times 0.59''$  12pcs	AE Screw $M6 \times 0.78''$  8pcs	AF Hanger Bolt $\phi 0.25'' \times 1.18''$  1pc
AG Adjustable Leg $0.25'' \times 0.87''$  1pc	AH Back Plate Holder $0.12'' \times 0.59''$ (Screw)  8sets	AI Allen Wrench $M4 \times 2.2''$  1pc	AJ Sticker  11pcs
AK Glue  2pcs	AL Anti-Tipping Kit  1set		



These pages list all the contents included in the box. Please take the time to identify the hardware as well as the individual components to this product. As you unpack and prepare for assembly, place the contents on a carpeted or padded area to protect them from damage.

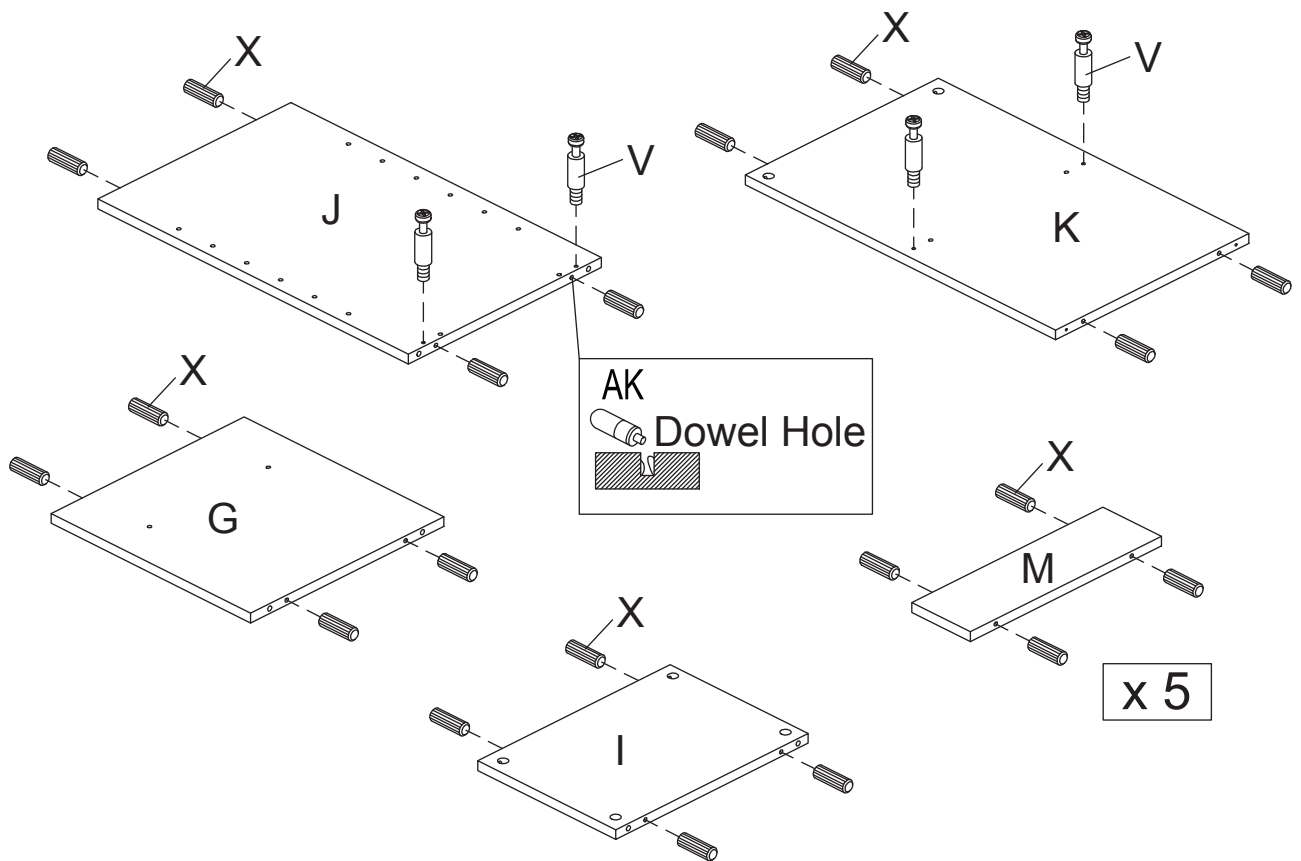
*** Do not tighten screws & bolts until the entire unit is completely assembled.

1 Insert Minifix (V) into Top Panel (A), Right Side Panel (C), Middle Side Panel (E), Top Divider Panel (F) and Shelf (H). Attach Wine Glass Rack (S) to Top Panel (A) using Screw (AC) with screwdriver (not provided). Apply Glue (AK) to the Dowel Holes of Left & Right Side Panel (B & C), Middle Side Panel (E), Top Divider Panel (F) and Shelf (H) and insert Wood Dowel (X).

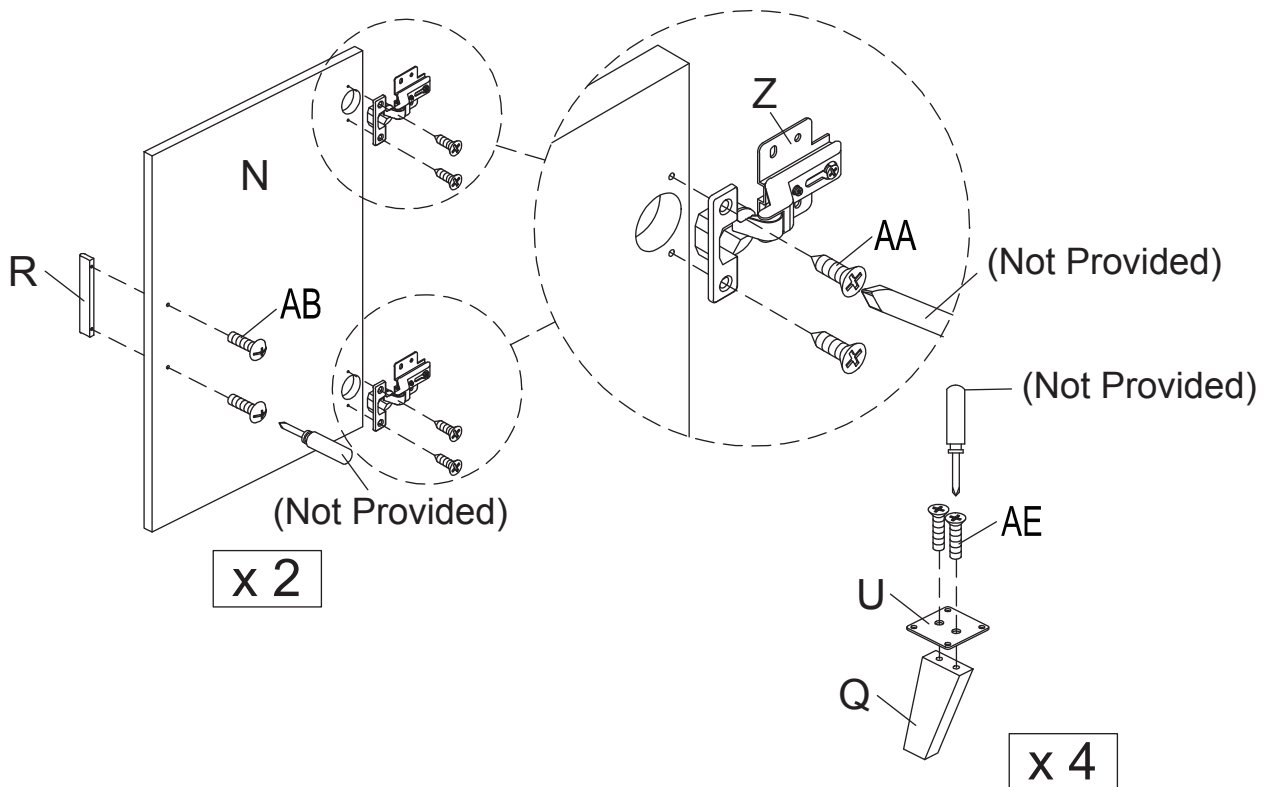


2

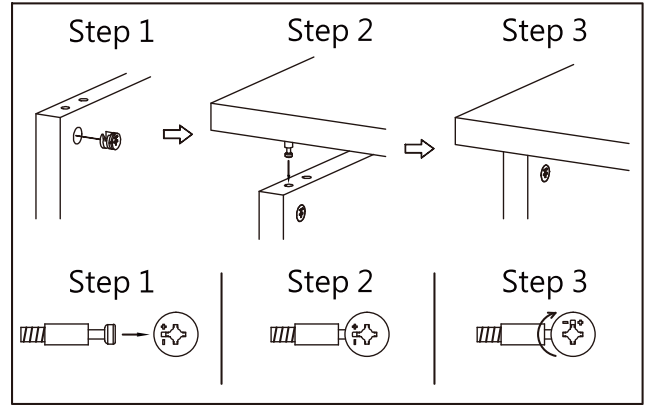
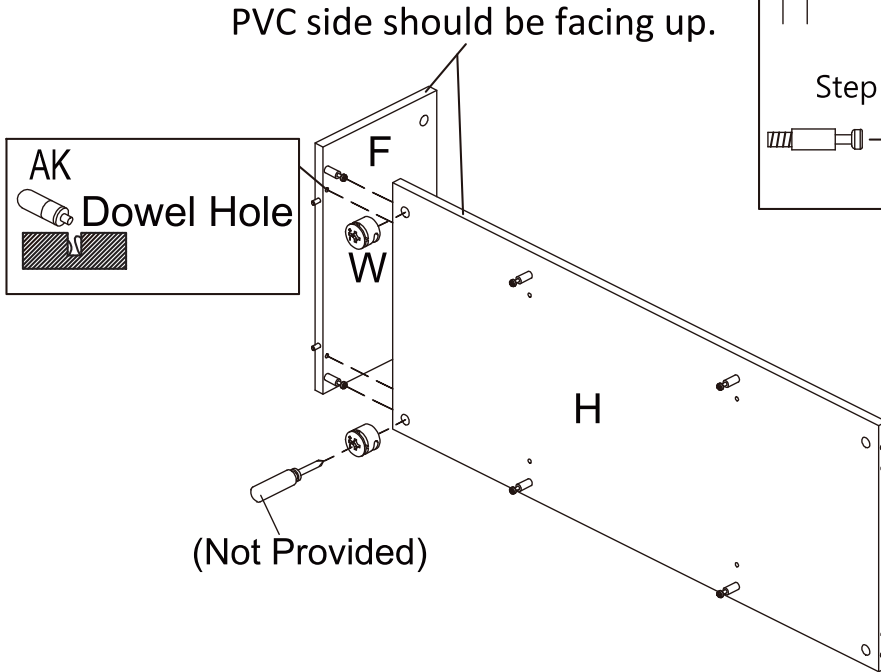
Insert Minifix (V) into Left & Right Bottom Divider Panel (J & K). Apply Glue (AK) to the Dowel Holes of Left & Right Shelf Panel (G & I), Left & Right Bottom Divider Panel (J & K) and Wine Rack Shelf Panel (M) and insert Wood Dowel (X).

**3**

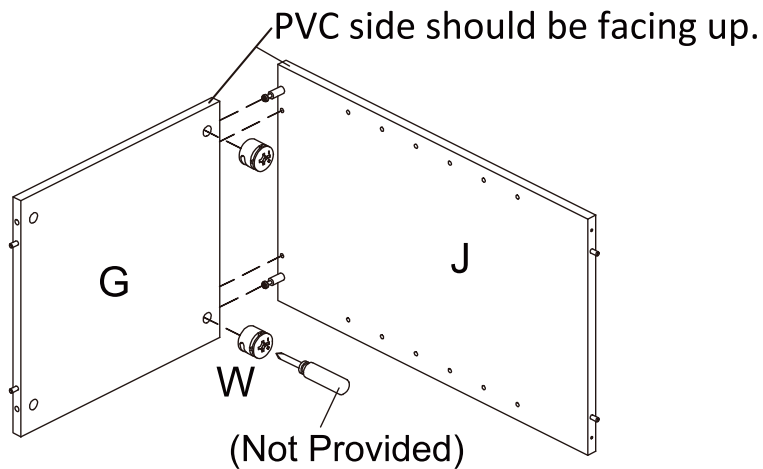
Attach Hinge (Z) to Door (N) using Screw (AA) with screwdriver (not provided). Attach Handle (R) to Door (N) using Screw (AB) with screwdriver (not provided). Attach Iron Plate (U) to Leg (Q) using Screw (AE) with screwdriver (not provided).



4 Insert Cam (W) into Shelf (H). Apply Glue (AK) to the Dowel Holes of Top Divider Panel (F). Then attach Top Divider Panel (F) to Shelf (H) using Cam (W) with screwdriver (not provided).

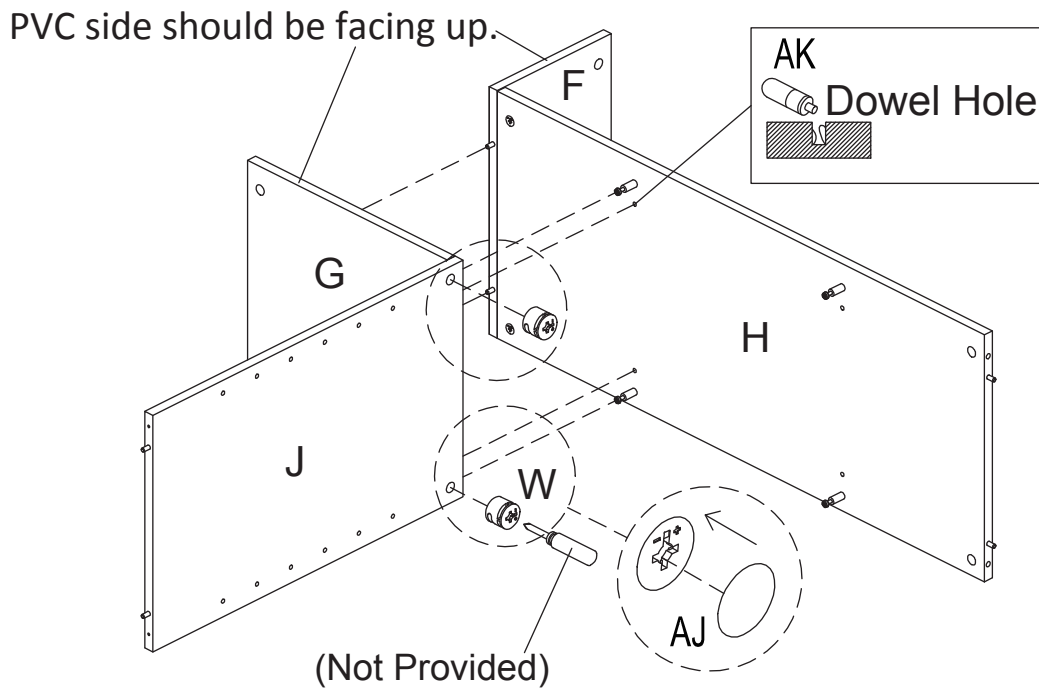


5 Insert Cam (W) into Left Shelf Panel (G). Then attach Left Bottom Divider Panel (J) to Left Shelf Panel (G) using Cam (W) with screwdriver (not provided).

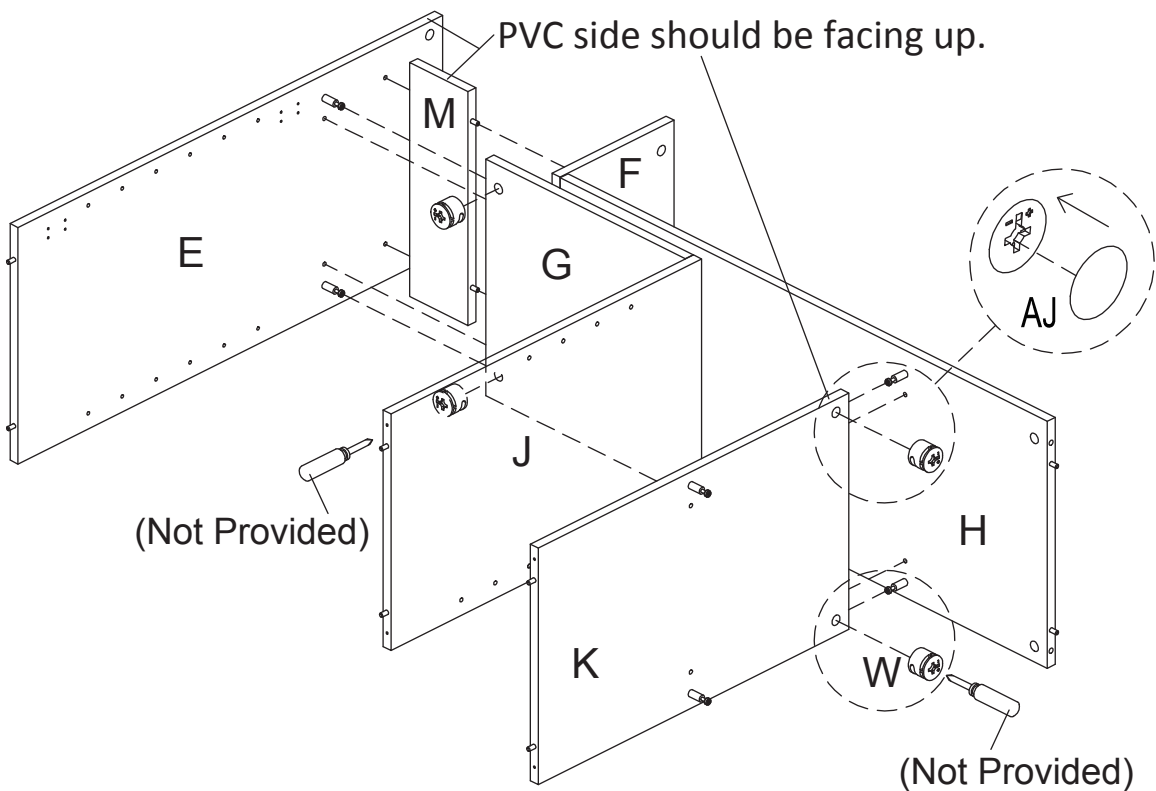


6

Insert Cam (W) into Left Bottom Divider Panel (J). Apply Glue (AK) to the Dowel Holes of Shelf (H). Then attach Shelf (H) to Left Bottom Divider Panel (J) using Cam (W) with screwdriver (not provided) and cover Cam (W) by Sticker (AJ).

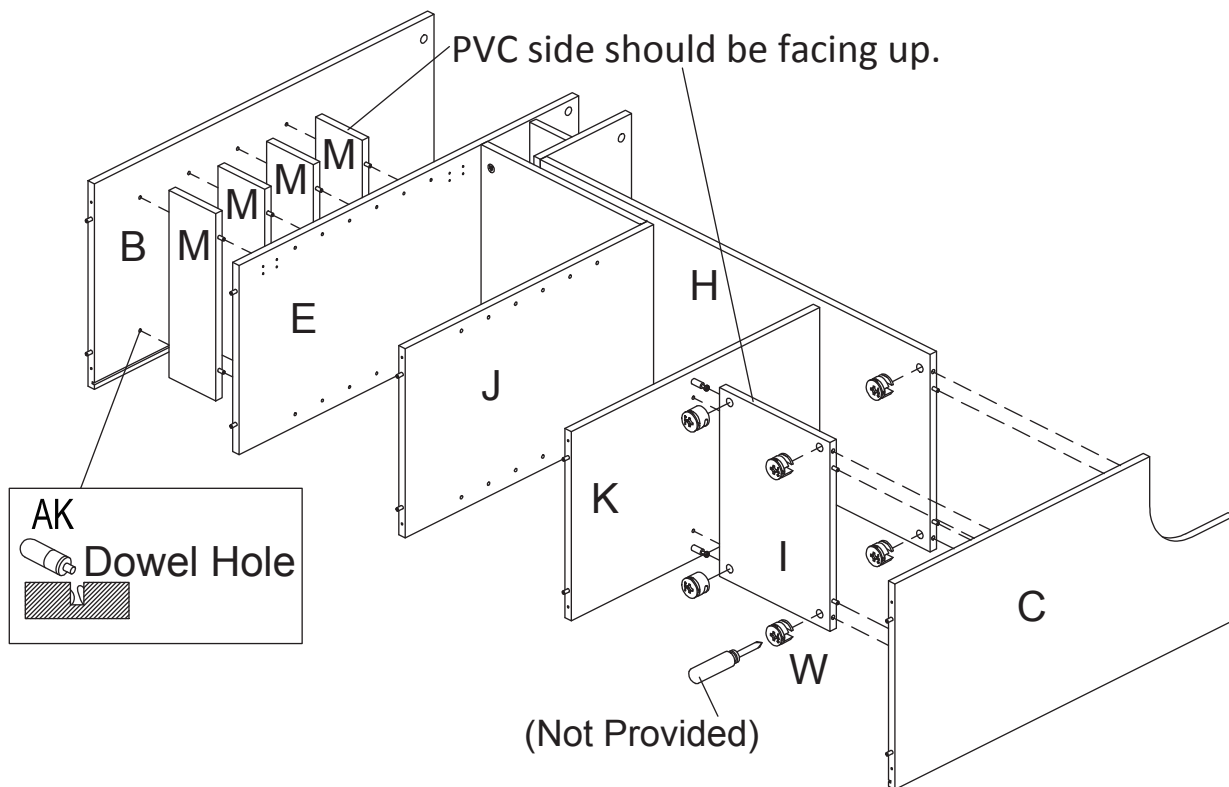
**7**

Insert Cam (W) into Left Shelf Panel (G) and Right Bottom Divider Panel (K). Attach Wine Rack Shelf Panel (M) to Middle Side Panel (E) and Top Divider Panel (F). Then attach Middle Side Panel (E) to Left Shelf Panel (G) using Cam (W) with screwdriver (not provided). Attach Right Bottom Divider Panel (K) to Shelf (H) using Cam (W) with screwdriver (not provided) and cover Cam (W) by Sticker (AJ).

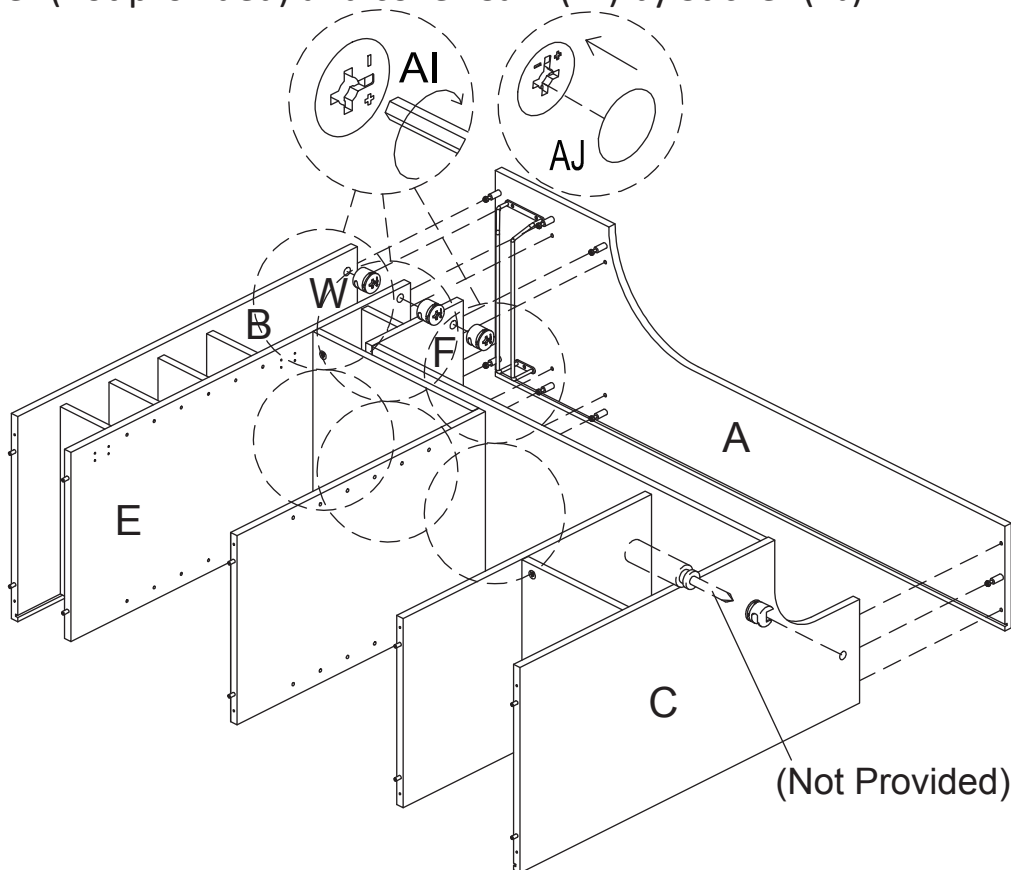


8

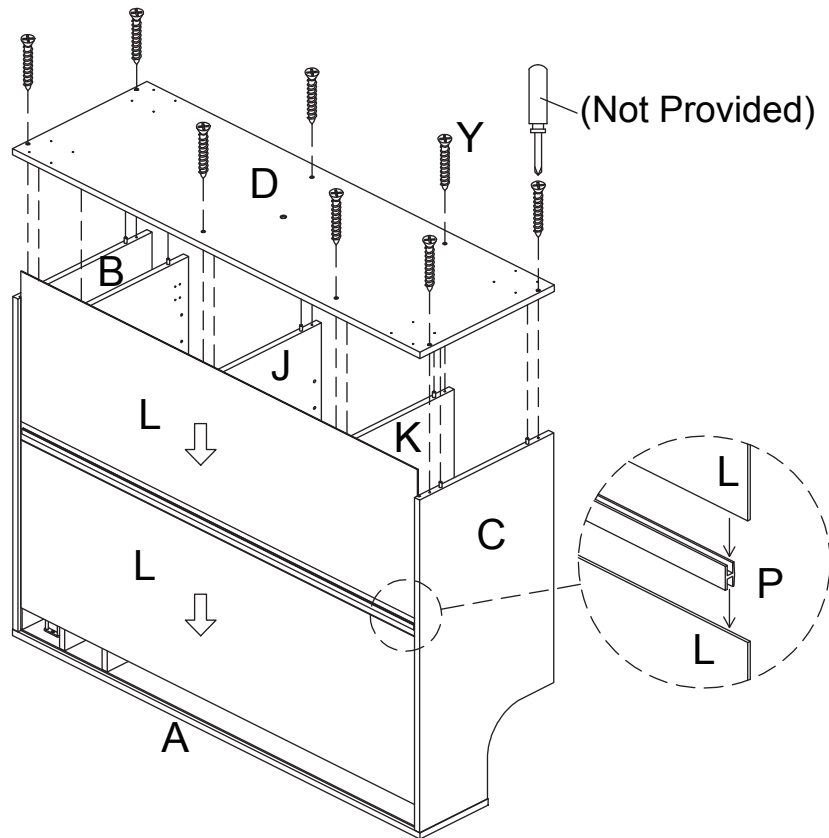
Insert Cam (W) into Shelf (H) and Right Shelf Panel (I). Then attach Shelf (H) and Right Shelf Panel (I) to Right Side Panel (C) and Right Bottom Divider Panel (K) using Cam (W) with screwdriver (not provided). Apply Glue (AK) to the Dowel Holes of Left Side Panel (B) and Middle Side Panel (E). Then attach Wine Rack Shelf Panel (M) to Left Side Panel (B) and Middle Side Panel (E).

**9**

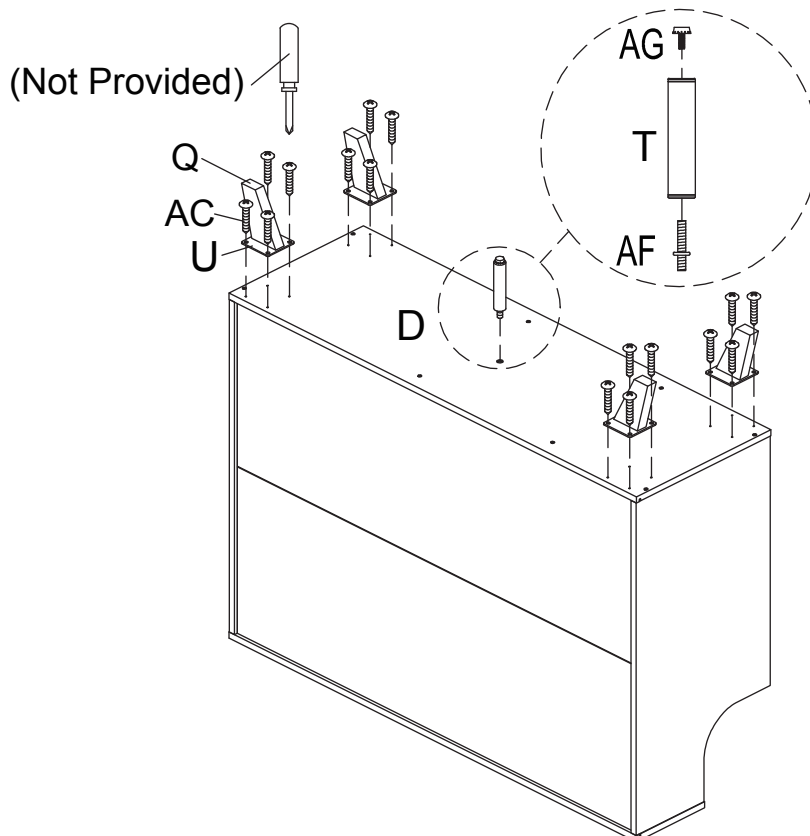
Insert Cam (W) into Left & Right Side Panel (B & C), Middle Side Panel (E) and Top Divider Panel (F). Then attach Top Panel (A) to Left & Right Side Panel (B & C), Middle Side Panel (E) and Top Divider Panel (F) using Cam (W) with Allen Wrench (AI) and screwdriver (not provided) and cover Cam (W) by Sticker (AJ).



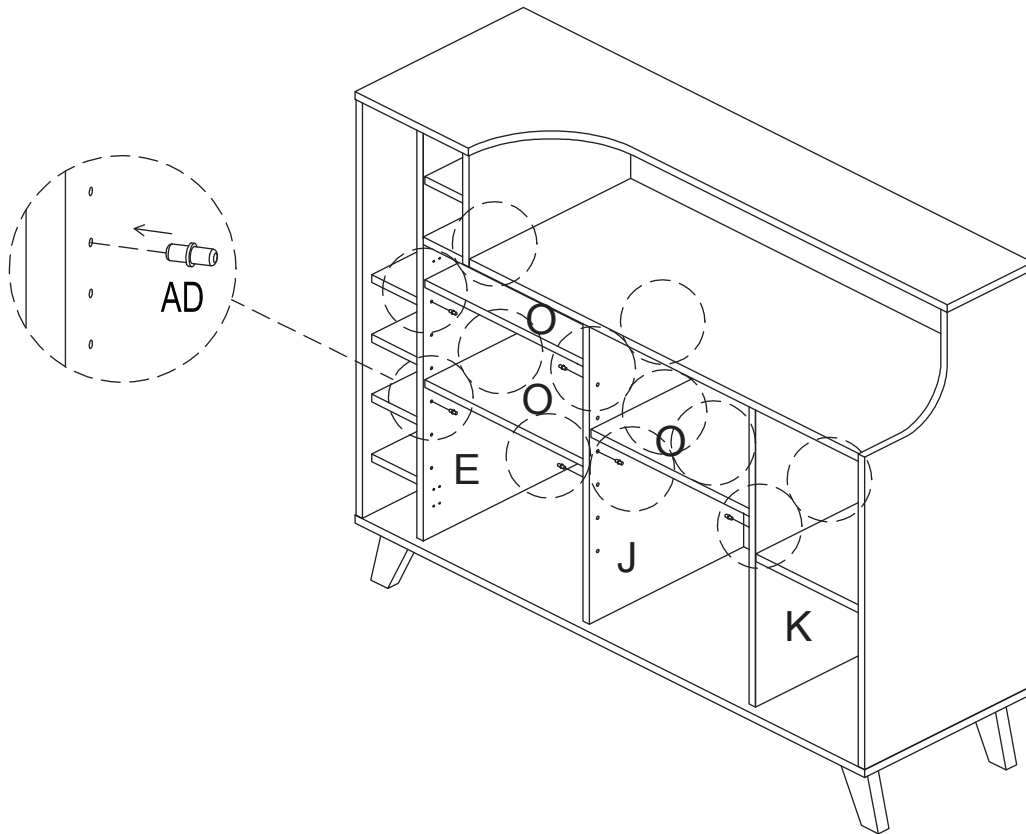
10 Slot the first Back Panel (L), H-Holder (P) and the second Back Panel (L) into the grooves of Top Panel (A) and Left & Right Side Panel (B & C). Then attach Bottom Panel (D) to Left & Right Side Panel (B & C) and Left & Right Bottom Divider Panel (J & K) using Screw (Y) with screwdriver (not provided).



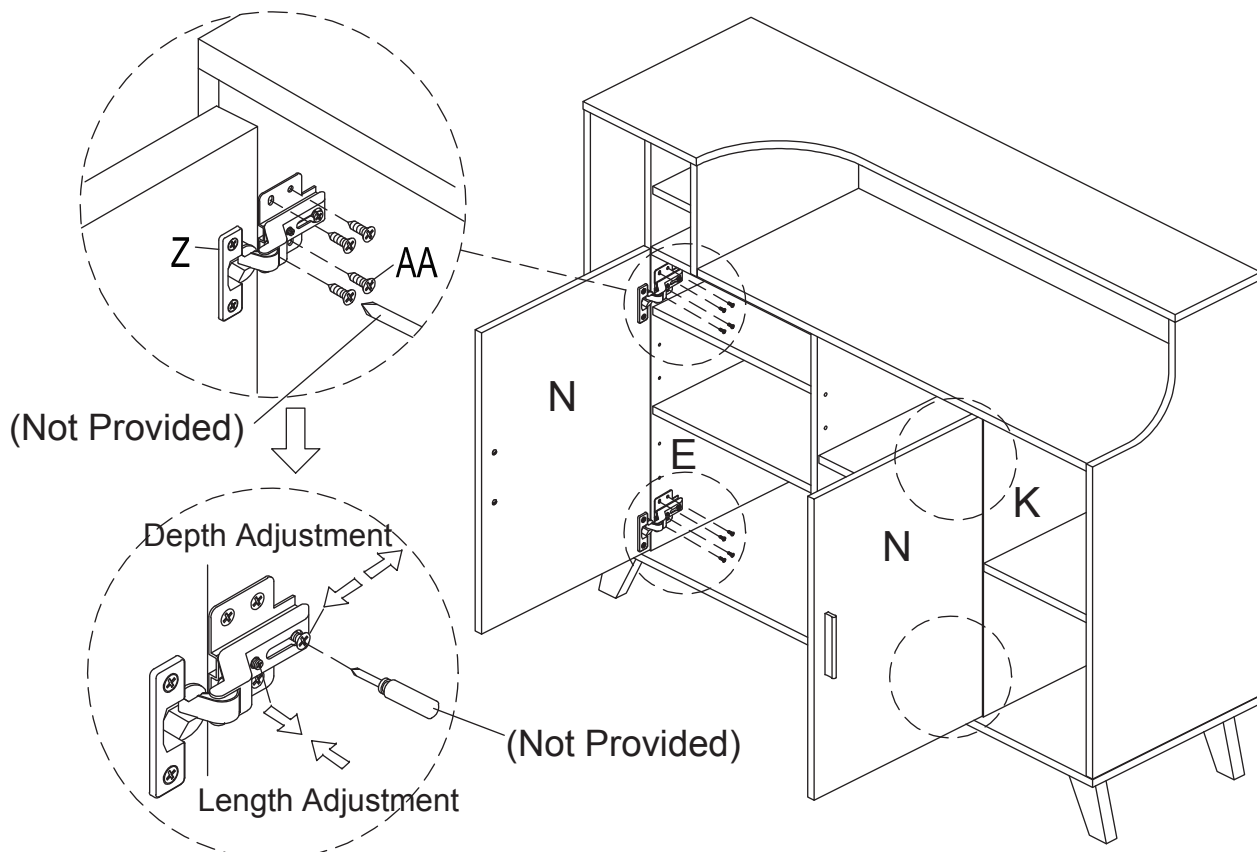
11 Attach Leg (Q) to Bottom Panel (D) by Iron Plate (U) using Screw (AC) with screwdriver (not provided). Insert Hanger Bolt (AF) and Adjustable Leg (AG) into Support Leg (T) and attach to Bottom Panel (D).



12 Insert Shelf Support (AD) into Middle Side Panel (E) and Left & Right Bottom Divider Panel (J & K). Then put Adjustable Shelf Panel (O) into the server.



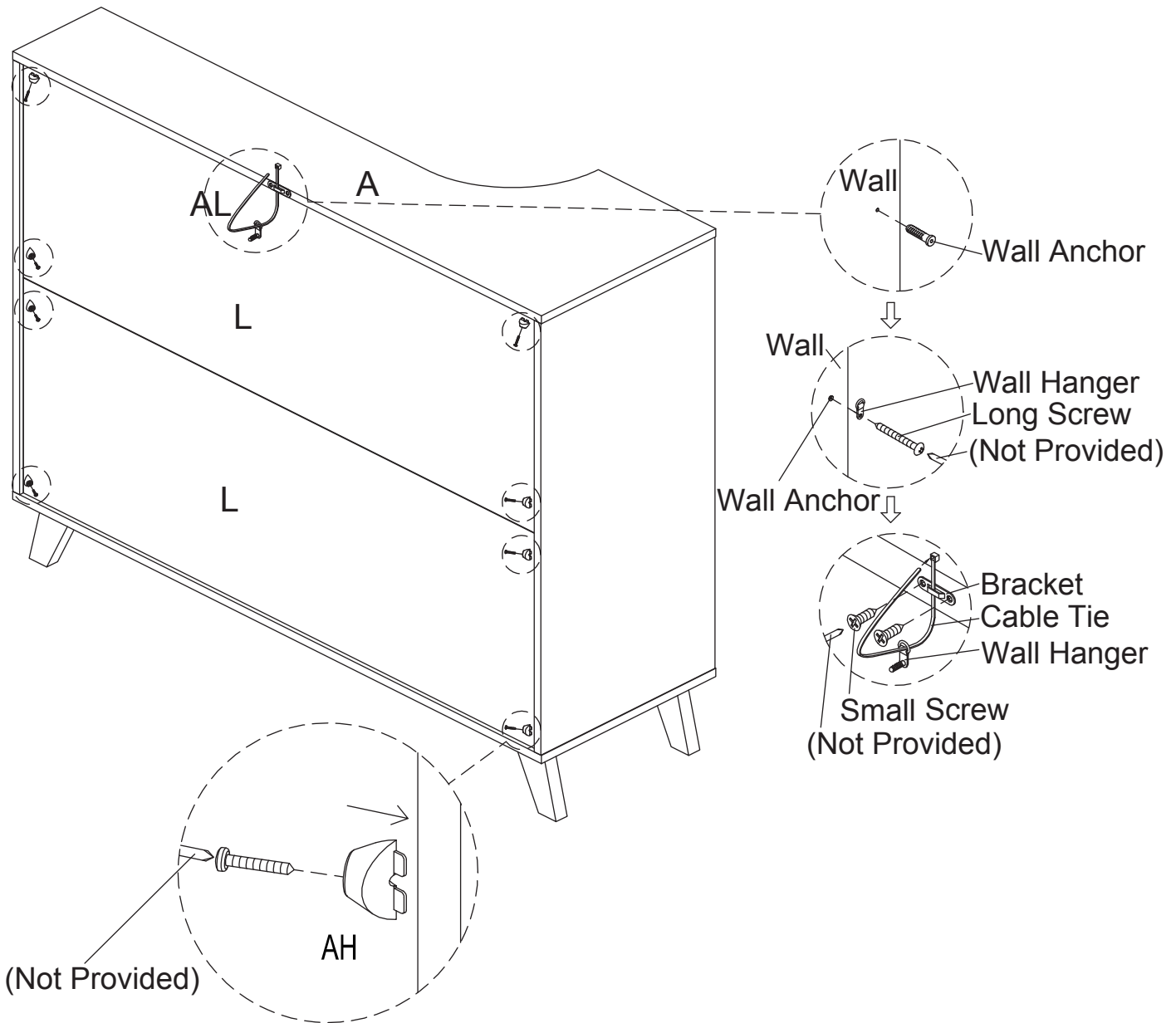
13 Attach Door (N) to Middle Side Panel (E) and Right Bottom Divider Panel (K) by Hinge (Z) using Screw (AA) with screwdriver (not provided).



14 Attach Back Plate Holder (AH) to the four corners of each Back Panel (L) with screwdriver (not provided).

Follow the instructions below to attach Anti-Tipping Kit (AL) to the wall.

Drill a 7mm hole on the wall and fix Wall Anchor into it. Attach Wall Hanger to Wall Anchor and the wall using Long Screw and screwdriver (not provided). Then attach Bracket to the back of Top Panel (A) using Small Screw and screwdriver (not provided). Thread Cable Tie through Bracket and Wall Hanger and pull it tight.



Cleaning & Care

Treat surfaces with care. Surfaces are resistant to scratches but are not scratch resistant. Clean surfaces with a dry or damp soft cloth. Do not use abrasive cleaners. Hardware may loosen over time. Periodically check that all connections are tight.