

ASSEMBLY INSTRUCTION

Component List

A Table Top



1pc

B Octagon Coloum



1pc

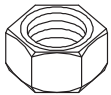
C Branch Leg



4pcs

Hardware List

1 Hex Nut $\phi 5/16"$



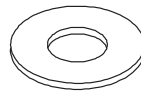
12pcs

2 Lock Washer $\phi 5/16"$



12pcs

3 Flat Washer $\phi 5/16"$



12pcs

4 Wrench #12.8



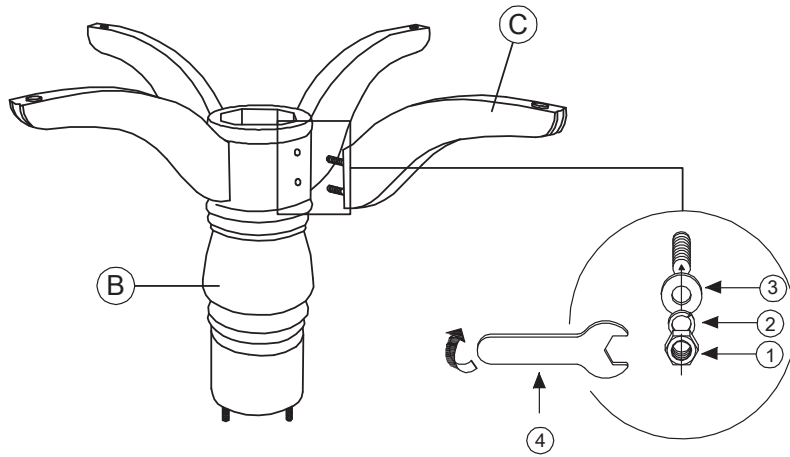
1pc



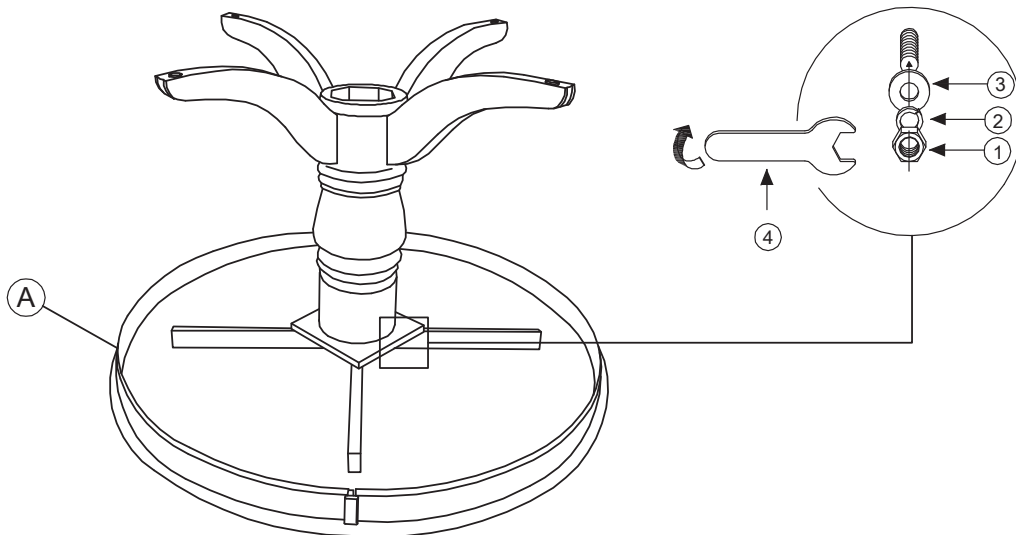
This page lists all the contents included in the box. Please take the time to identify the hardware as well as the individual components to this product. As you unpack and prepare for assembly, place the contents on a carpeted or padded area to protect them from damage.

1

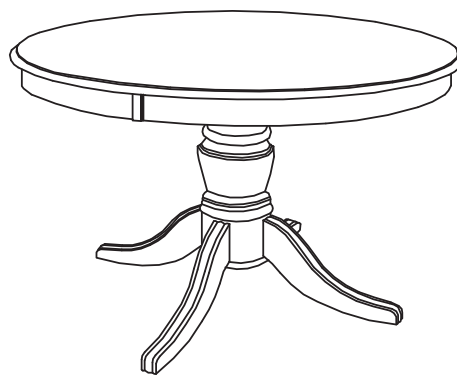
Insert Hanger Bolt of Branch Leg (C) into the predrilled holes of Oxtogen Coloum (B), then tighten with Flat Washer (3). Spring Washer (2) and Hex Nut (1) with Wrench (4).

**2**

Place Table Top (A) face down on a clean and flat soft surface to prevent from being scratched. Insert Hanger Bolt of Oxtogen Coloum (B) into the predrilled holes of Mounting Plate at table top (A), then tighten with Flat Washer (3), Spring Washer (2) and Hex Nut (1) with Wrench (4).

**3**

Turn the assembled table to the upright position carefully. Make sure the table is level, and then securely tighten all nuts at this stage. Assembly is now completed.



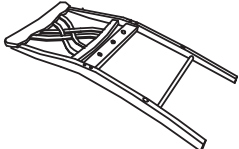
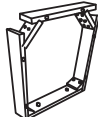
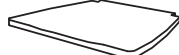
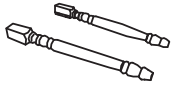


Cleaning & Care

Treat surface with care. Surface is resistant to scratches but is not scratch resistant. Clean surface with a dry or damp soft cloth. Do not use abrasive cleaners. Hardware may loosen over time. Periodically check that all connections are tight.

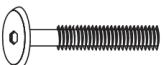
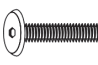






ASSEMBLY INSTRUCTION

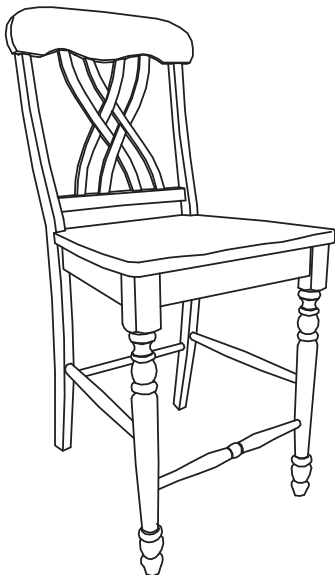
COUNTER HEIGHT 2-TONED STOOL

Component List

A Chair Back  1pc	B Box Frame  1pc	C Wooden Seat  1pc	D Front Leg (Left-Right)  2pcs
E Side Stretcher  2pcs	F Front Stretcher  1pc		

Hardware List

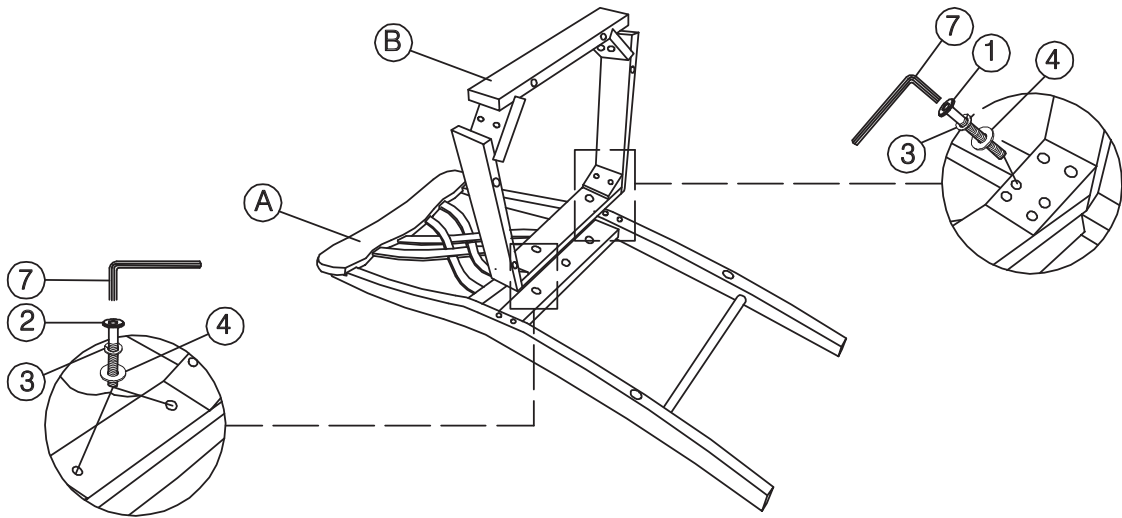
1 Jcbc Bolt M6 x 70mm  8pcs	2 Jcbc Bolt M6 x 40mm  2pcs	3 Lock Washer M6  10pcs	4 Flat Washer M6  10pcs
5 Csk-Cb Screw #8 x 1"  6pcs	6 Pan Head Screw #8 x 1 1/4"  6pcs	7 Allen Key M4 x 60mm  1pc	8 Glue  1pc



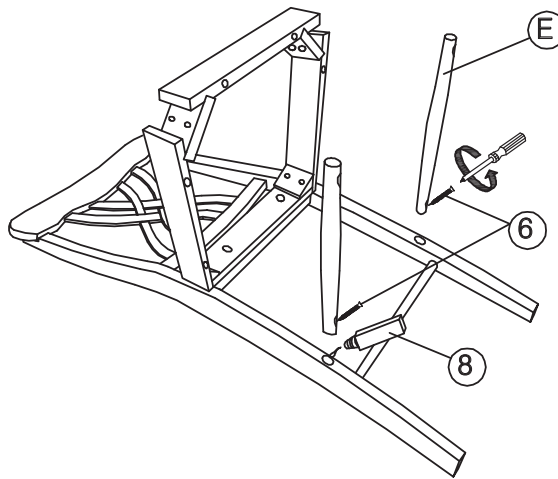
This page lists all the contents included in the box. Please take the time to identify the hardware as well as the individual components to this product. As you unpack and prepare for assembly, place the contents on a carpeted or padded area to protect them from damage.

1

Put the Chair Back (A) Box Frame (B) upside down on the soft and smooth surface. With assistance attach Box Frame (B) onto Chair Back (A). Then insert Jcbc Bolt (1), Lock Washer (3) and Flat Washer (4) into predrilled holes of each corner, by using Allen Key (7). Insert Jcbc Bolt (2), Lock Washer (3) and Flat Washer (4) into the predrilled holes of the middle of Chair Back (A), by using Allen Key (7). Do not fully tighten the bolts in this step.

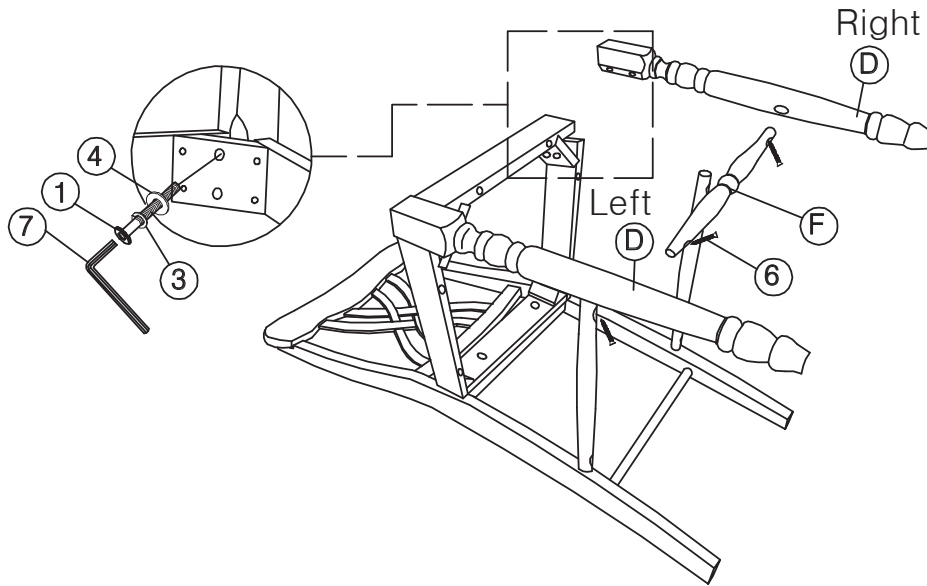
**2**

Apply some Glue (8) to the holes of the Chair Back (A) and Insert Side Stretcher (E) into the holes of Chair Back (A) with Pan Head Screw (6) by using Screwdriver (not included). Do not fully tighten all screws in this step.

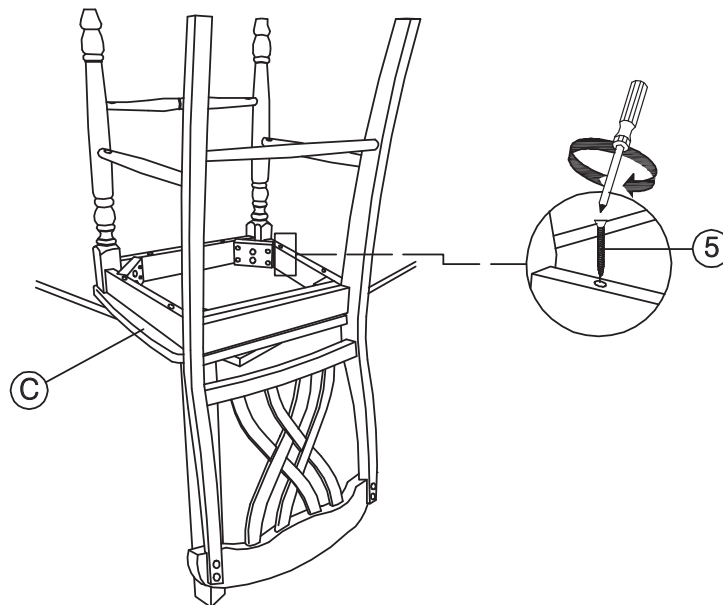


3

First, insert the Front Stretcher (F) into the holes of Chair Legs (D) using Pan Head Screw (6). Attach Chair Legs (D) assembly to Side Stretcher (E) and corner of Box Frame (B), insert Flat Washer (4), Lock Washer (3) and Jcbc Bolt (1) using Allen Key (7). Tighten all wood screws in this step.

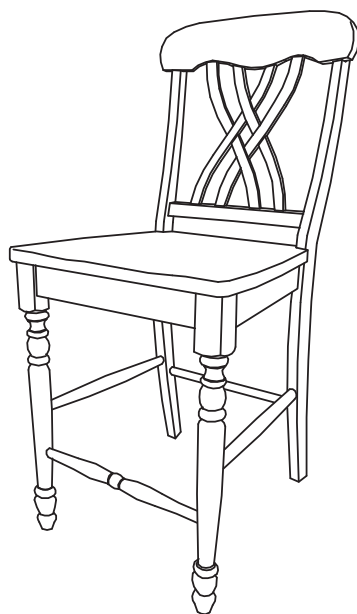
**4**

Attach Wooden Seat (C) and Box Frame (B) with Csk-Cb Screw (5) by using Screwdriver (not included). Tighten all wood screws in this step.



5

Turn the assembled chair to the upright position carefully. Make sure the chair is level, and then securely tighten all bolts at this stage. Assembly is now completed.



Cleaning & Care

Treat surface with care. Surface is resistant to scratches but is not scratch resistant. Clean surface with a dry or damp soft cloth. Do not use abrasive cleaners. Hardware may loosen over time. Periodically check that all connections are tight.